

United States Patent [19]

Laymon et al.

[11] Patent Number: Des. 315,621

[45] Date of Patent: ** Mar. 19, 1991

[54] PIPELINE CLEANER

[75] Inventors: Dwane O. Laymon, Tulsa; James M. Berry, Owasso, both of Okla.

[73] Assignee: Enduro Pipeline Services, Inc., Tulsa, Okla.

[**] Term: 14 Years

[21] Appl. No.: 10,015

[22] Filed: Feb. 2, 1987

[52] U.S. Cl. D32/14

[58] Field of Search D32/14; 33/544; 134/168 C; 15/104.31, 104.32, 104.33

[56] References Cited

U.S. PATENT DOCUMENTS

D. 289,575 4/1987 Schneider D32/14

2,332,984 10/1943 Brackeen D32/14
2,786,218 3/1957 Yousem 15/104.33
4,358,861 11/1982 Said 15/104.31

Primary Examiner—A. Hugo Word
Assistant Examiner—Ruth McInroy
Attorney, Agent, or Firm—William S. Dorman

[57] CLAIM

The ornamental design for a pipeline cleaner, as shown and described.

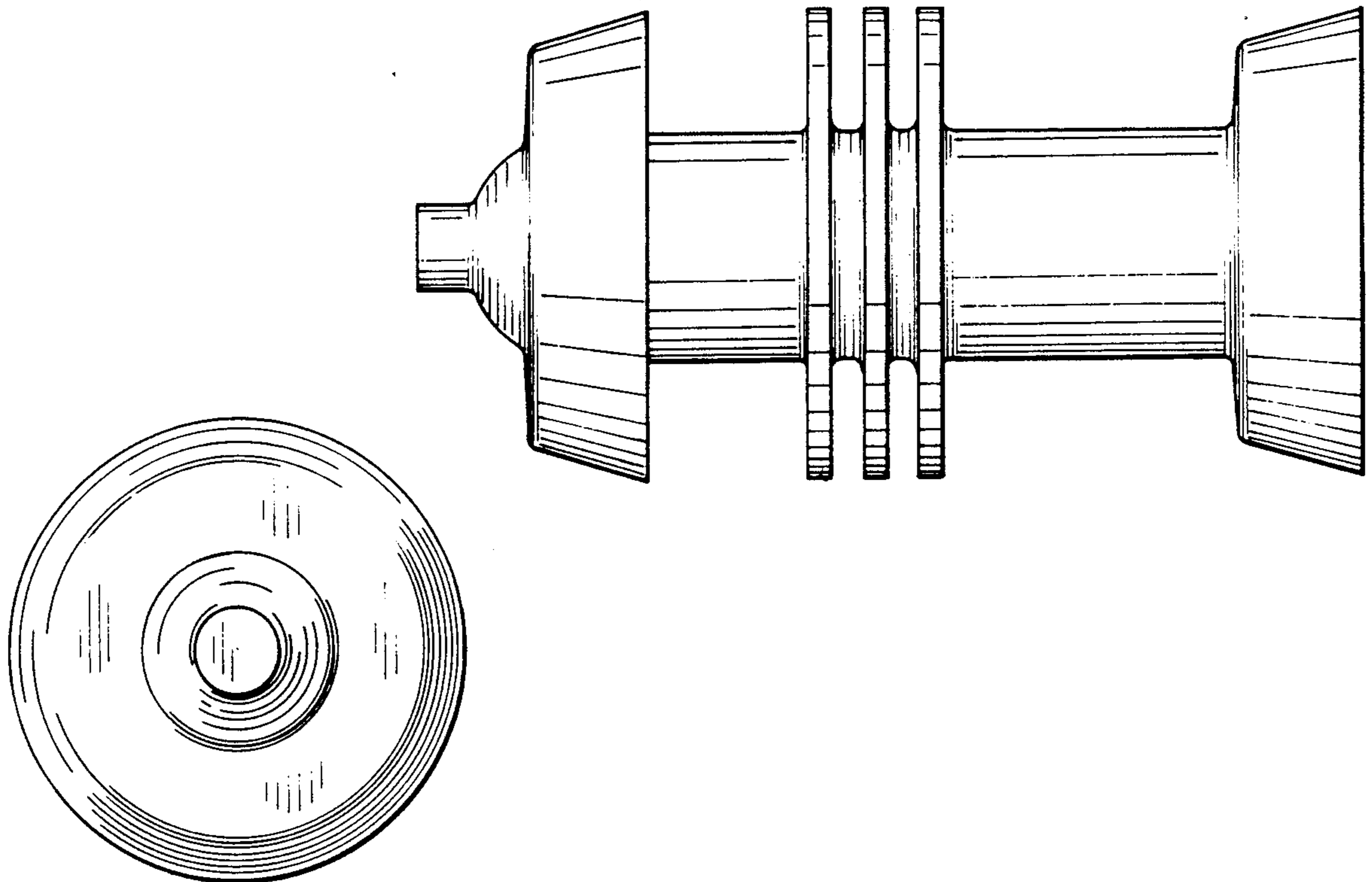
DESCRIPTION

FIG. 1 is a front elevational view of a pipeline cleaner showing our new design, the rear view being a mirror image;

FIG. 2 is a top plan view thereof;

FIG. 3 is a side elevational view thereof, the opposite side being a mirror image; and

FIG. 4 is a bottom plan view thereof.



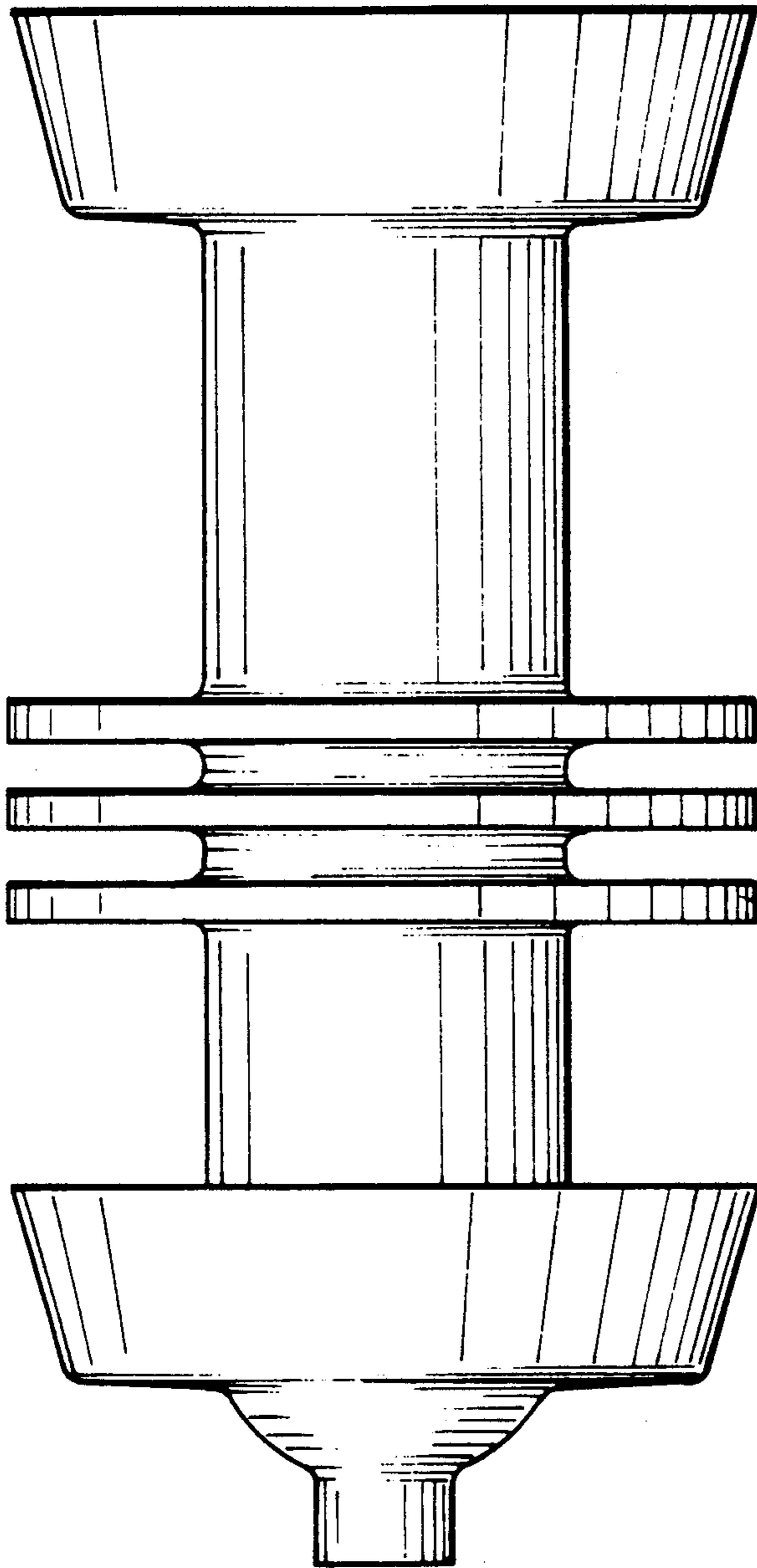


Fig. 1

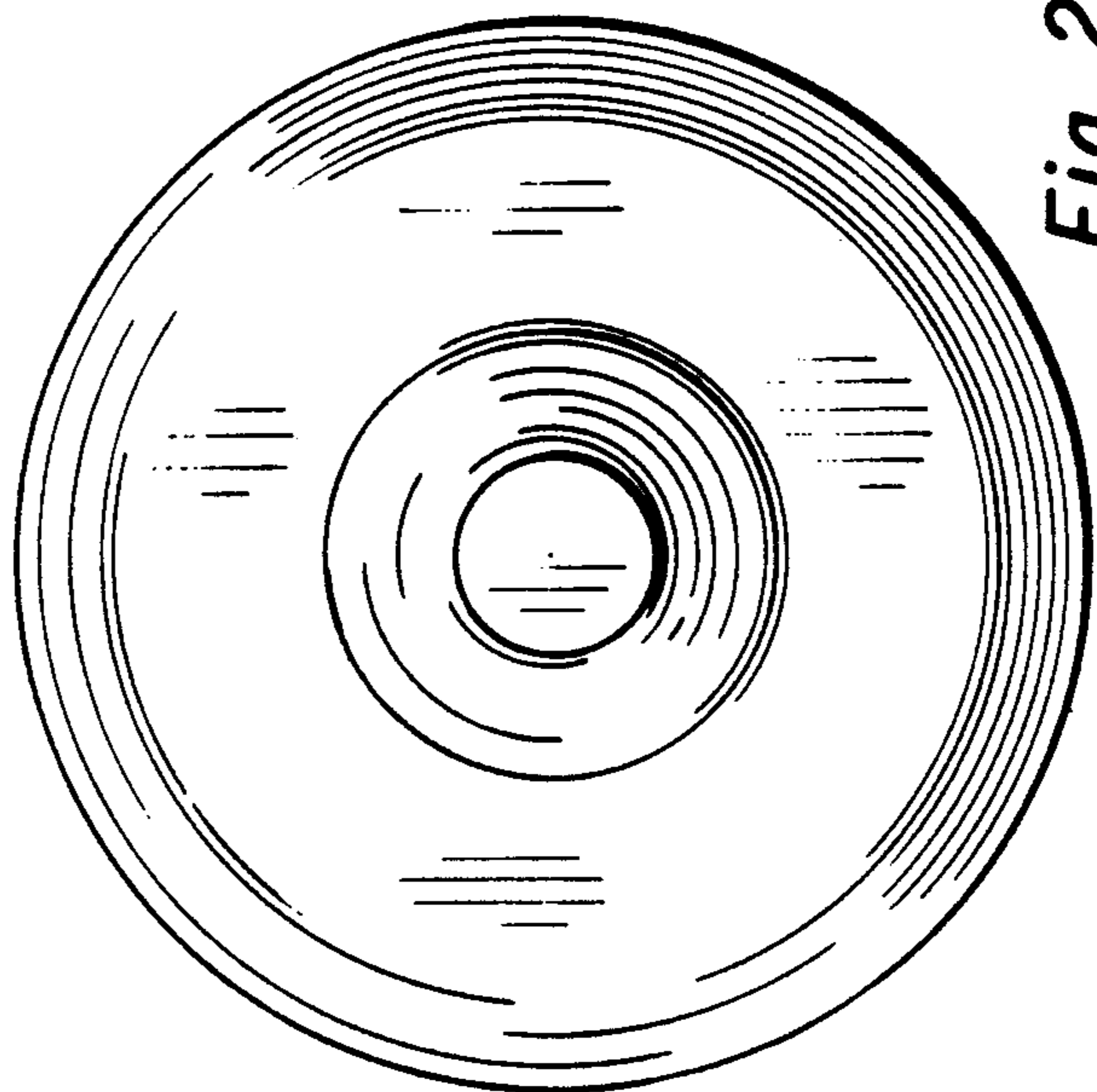


Fig. 2

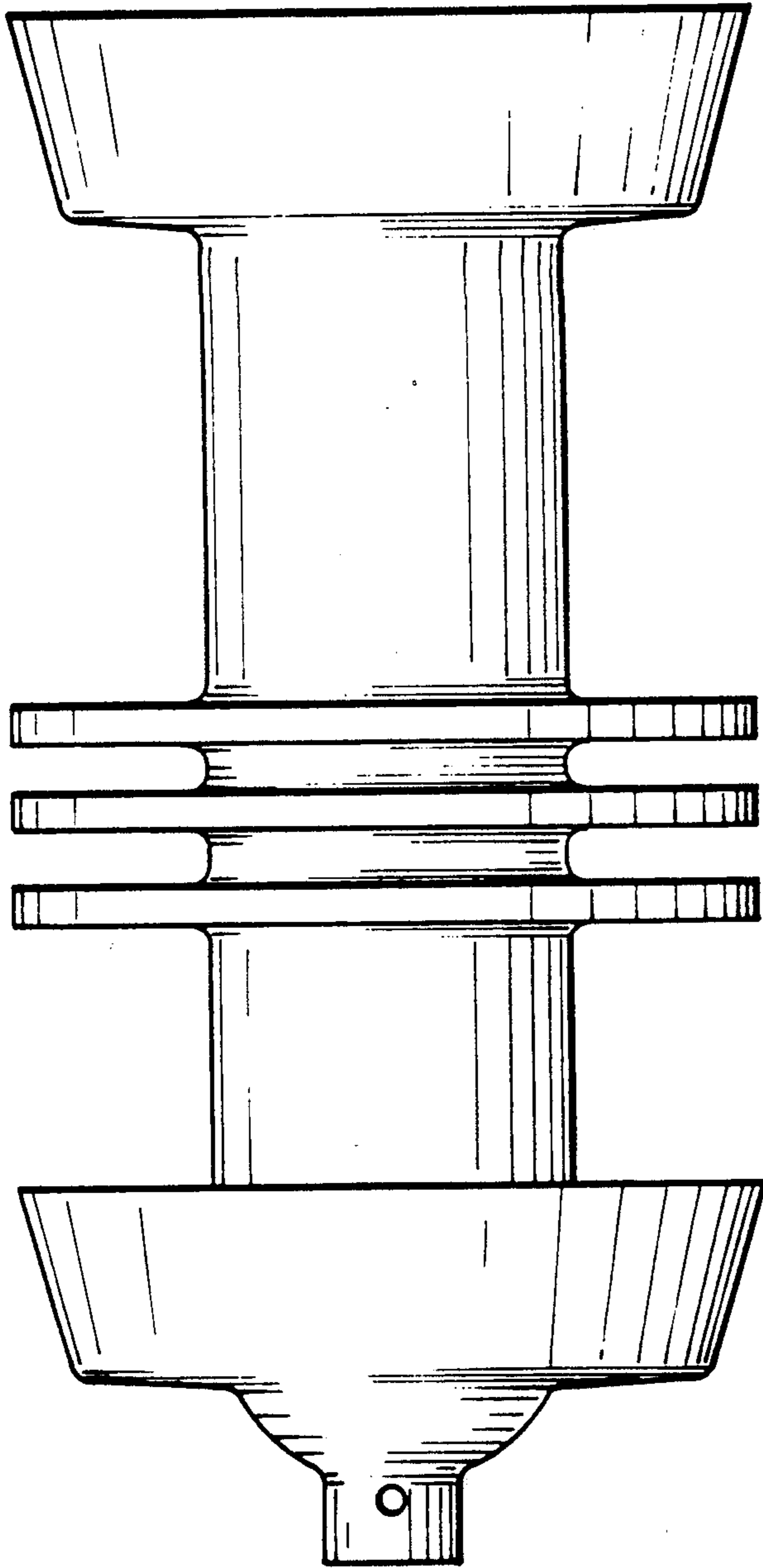


Fig. 3

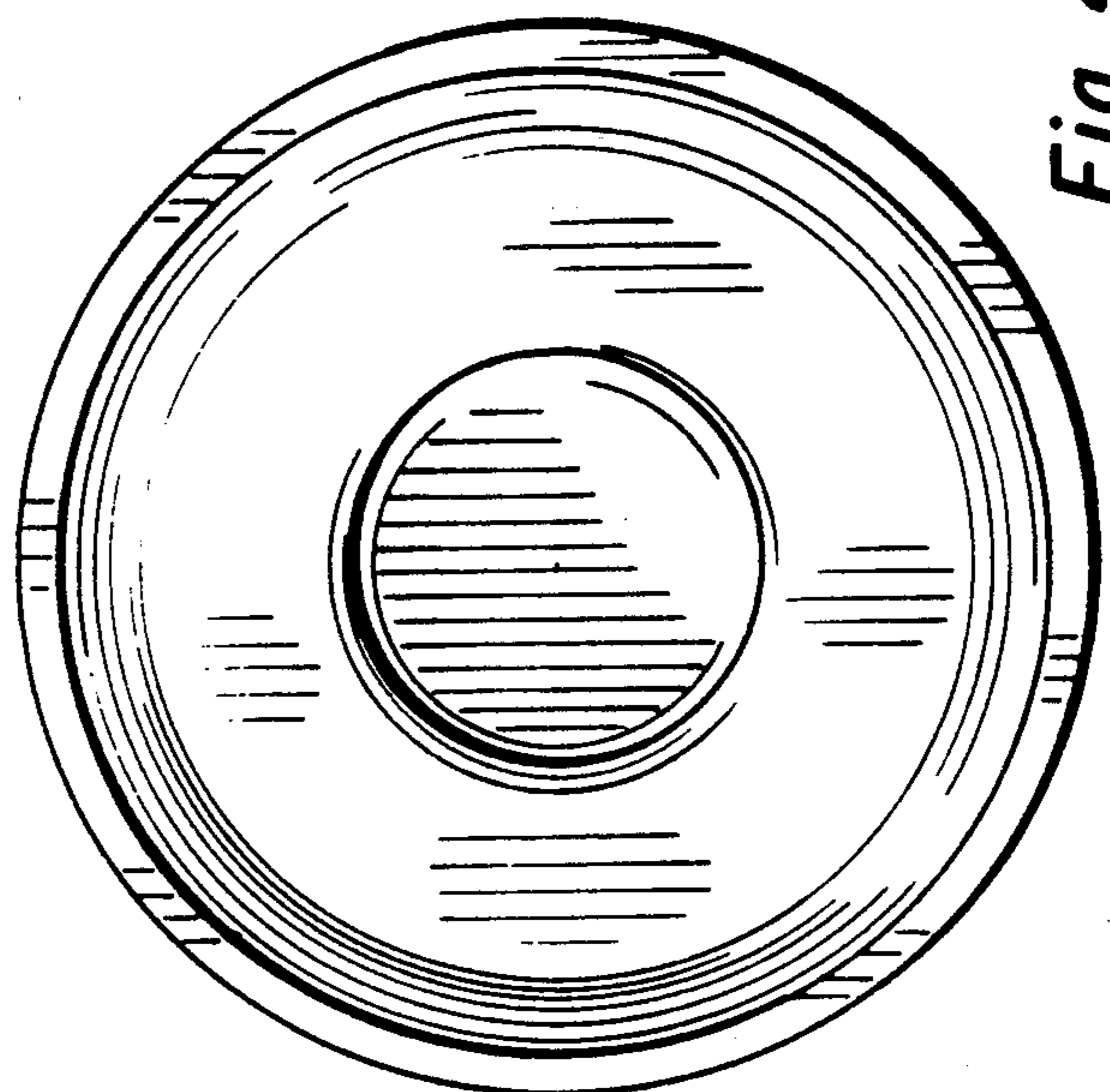


Fig. 4