

[54] **SWIMMER'S MASK**
[75] **Inventor: David H. Goldman, Fairport, N.Y.**
[73] **Assignee: Voit Corporation, Fairport, N.Y.**
[**] **Term: 14 Years**
[21] **Appl. No.: 238,161**
[22] **Filed: Aug. 30, 1988**
[52] **U.S. Cl. D29/9; D8/107**
[58] **Field of Search D16/107, 102, 107, 108,
D16/110, 112, 117; 2/12, 13; D29/8, 9**

D. 310,277 8/1990 Sugita D16/107 X
2,993,209 7/1961 Monahan et al. D29/9 X

Primary Examiner—Bruce W. Dunkins
Assistant Examiner—Hannon
Attorney, Agent, or Firm—Davis, Hoxie, Faithfull & Hapgood

[57] **CLAIM**

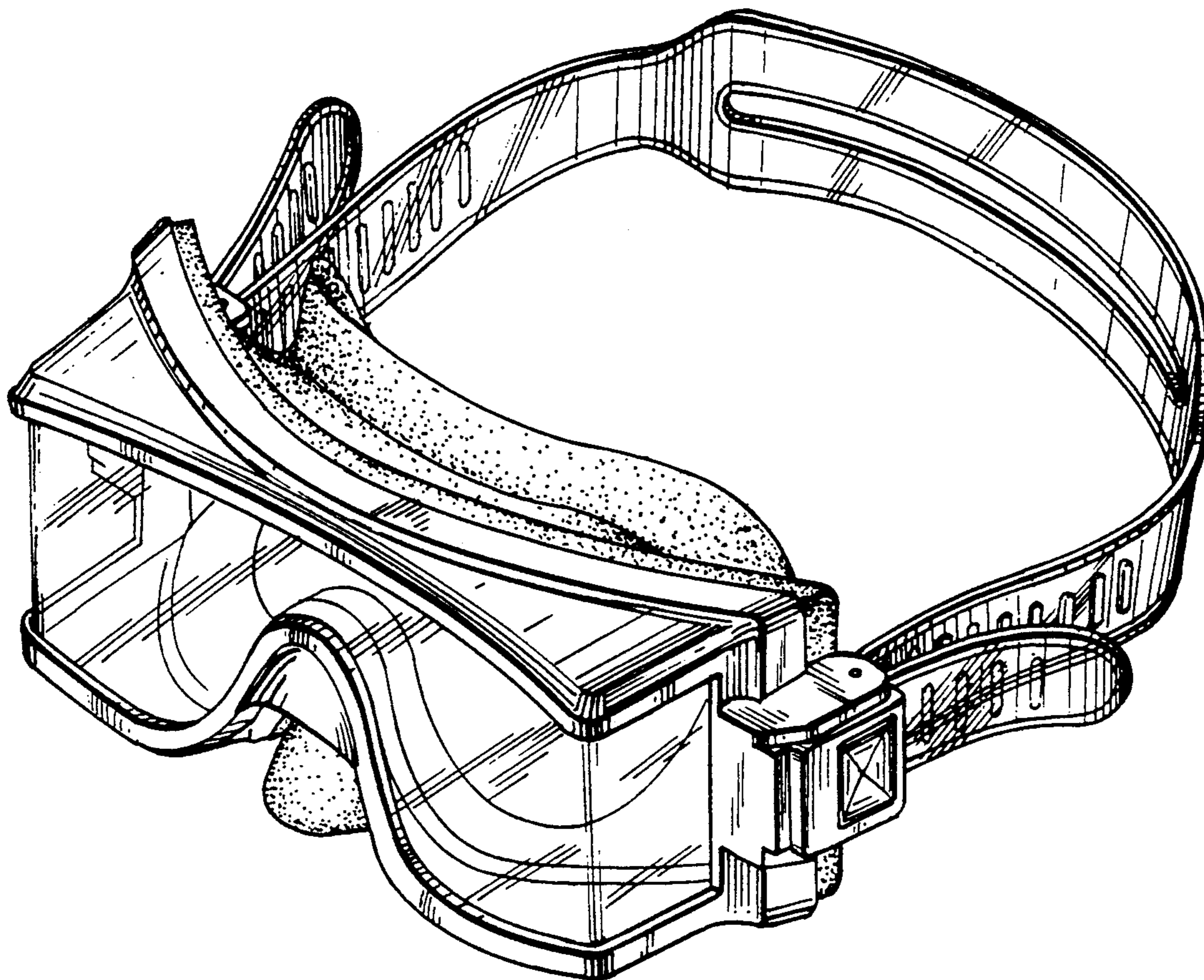
The ornamental design for swimmer's mask, as shown.

DESCRIPTION

FIG. 1 is a perspective view of a swimmer's mask according to the invention;
FIG. 2 is a top plan view of the mask of FIG. 1;
FIG. 3 is a view in front elevation of the mask of FIG. 1;
FIG. 4 is a view in side elevation of the mask of FIG. 1;
FIG. 5 is a view in rear elevation of the mask of FIG. 1;
FIG. 6 is a bottom plan view of the mask of FIG. 1.

[56] **References Cited**
U.S. PATENT DOCUMENTS

D. 171,549 2/1954 Matheson D29/9
D. 266,031 9/1982 Sato D29/9
D. 290,763 7/1987 Walsh D29/9
D. 292,329 10/1987 Vitaloni D16/107 X



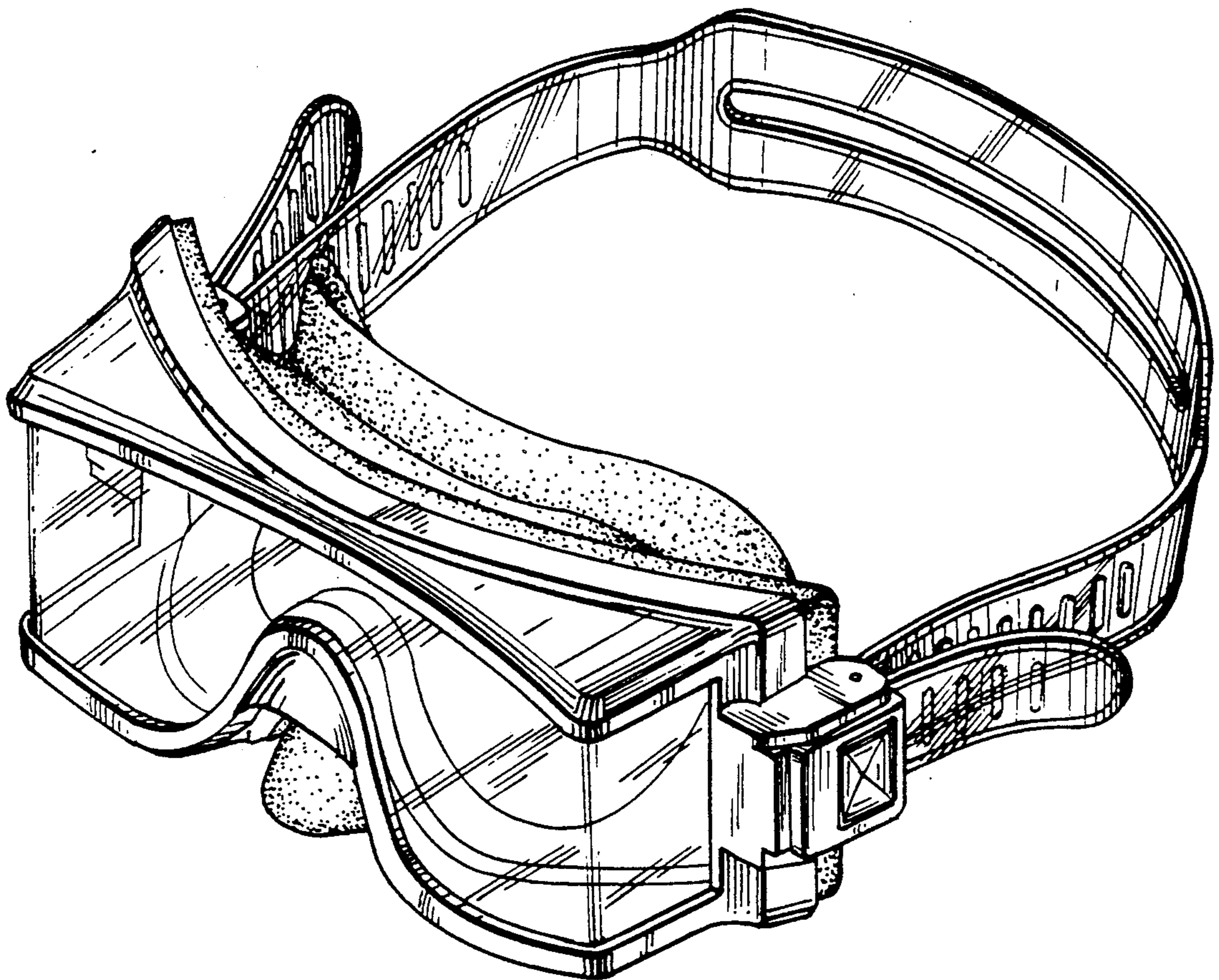


FIG. 1

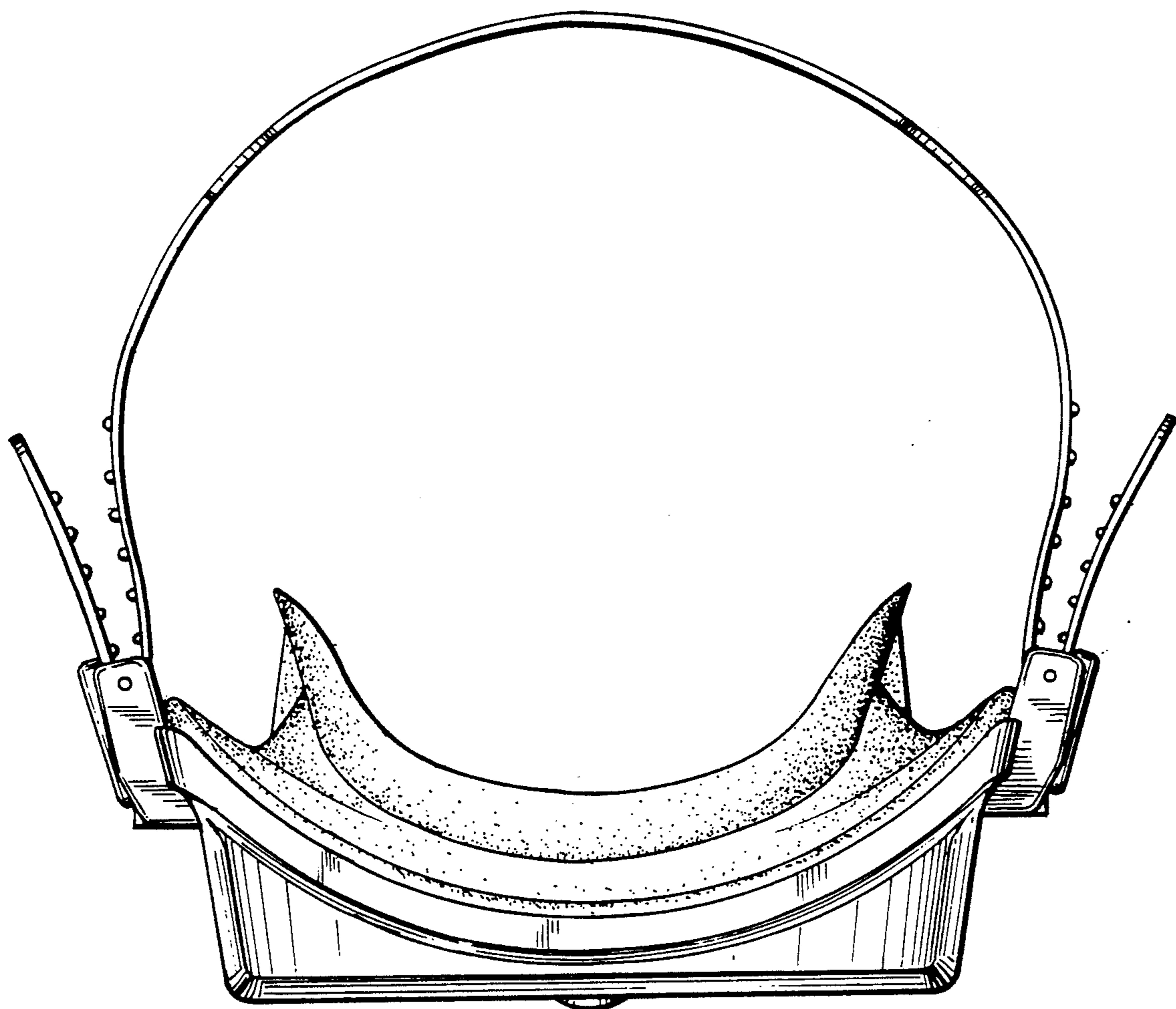


FIG. 2

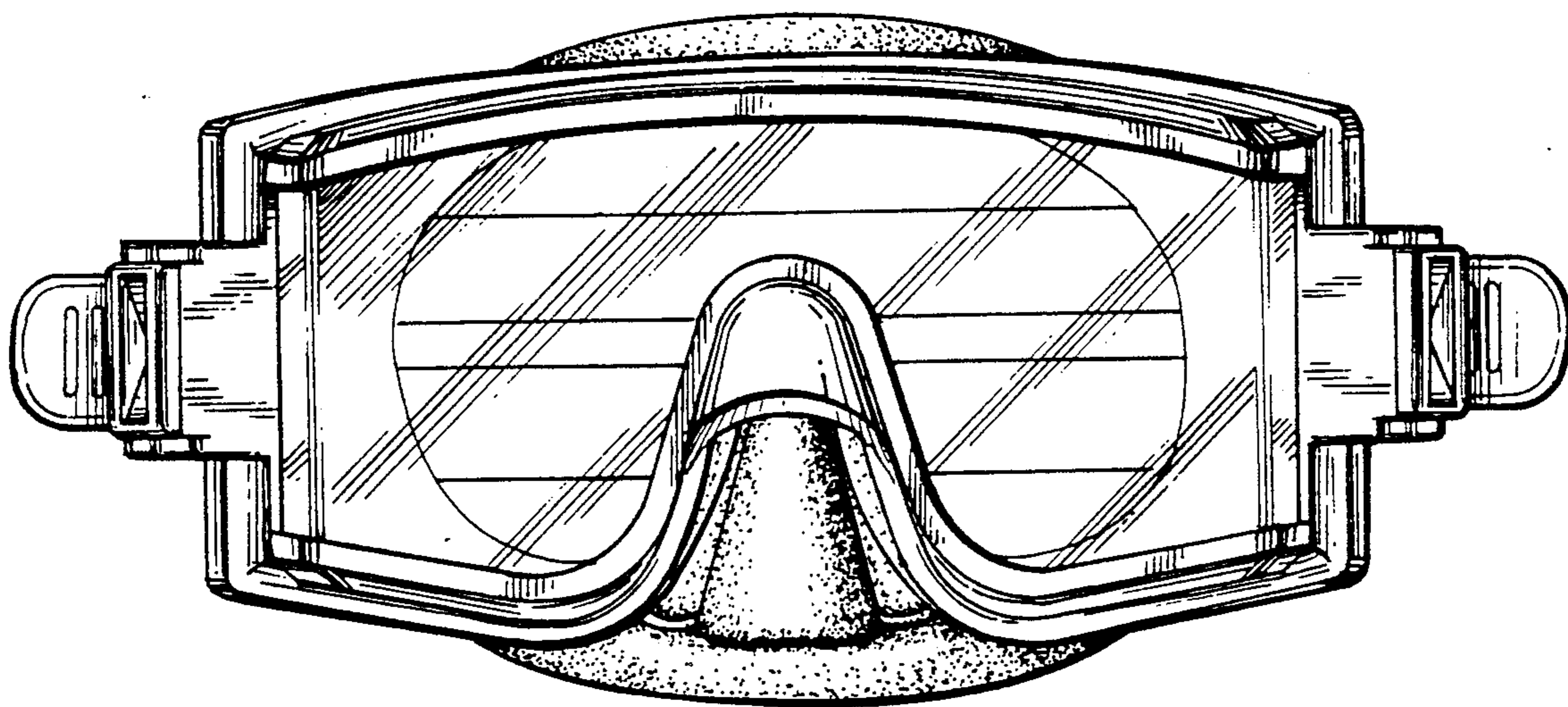


FIG. 3

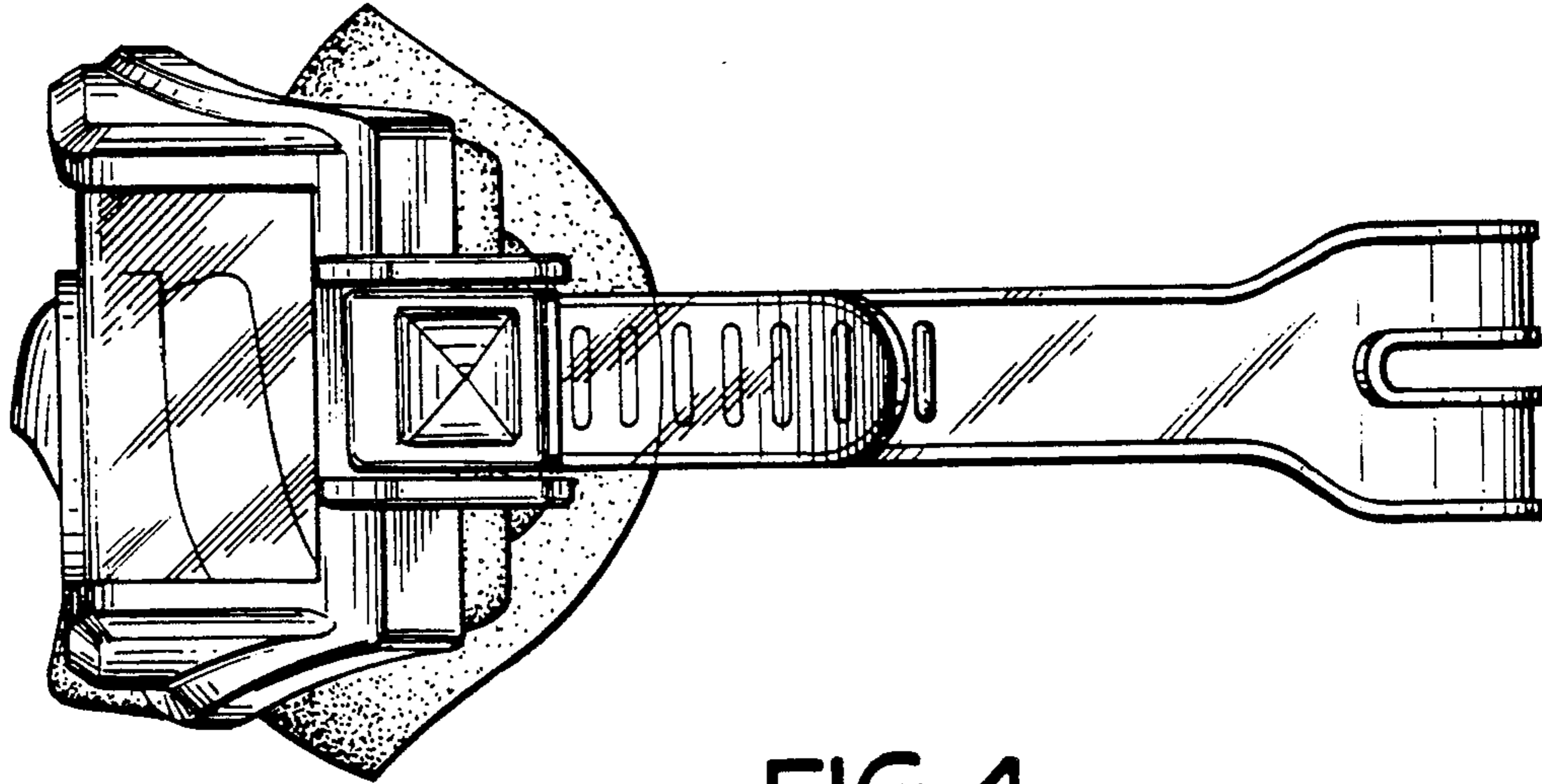


FIG. 4

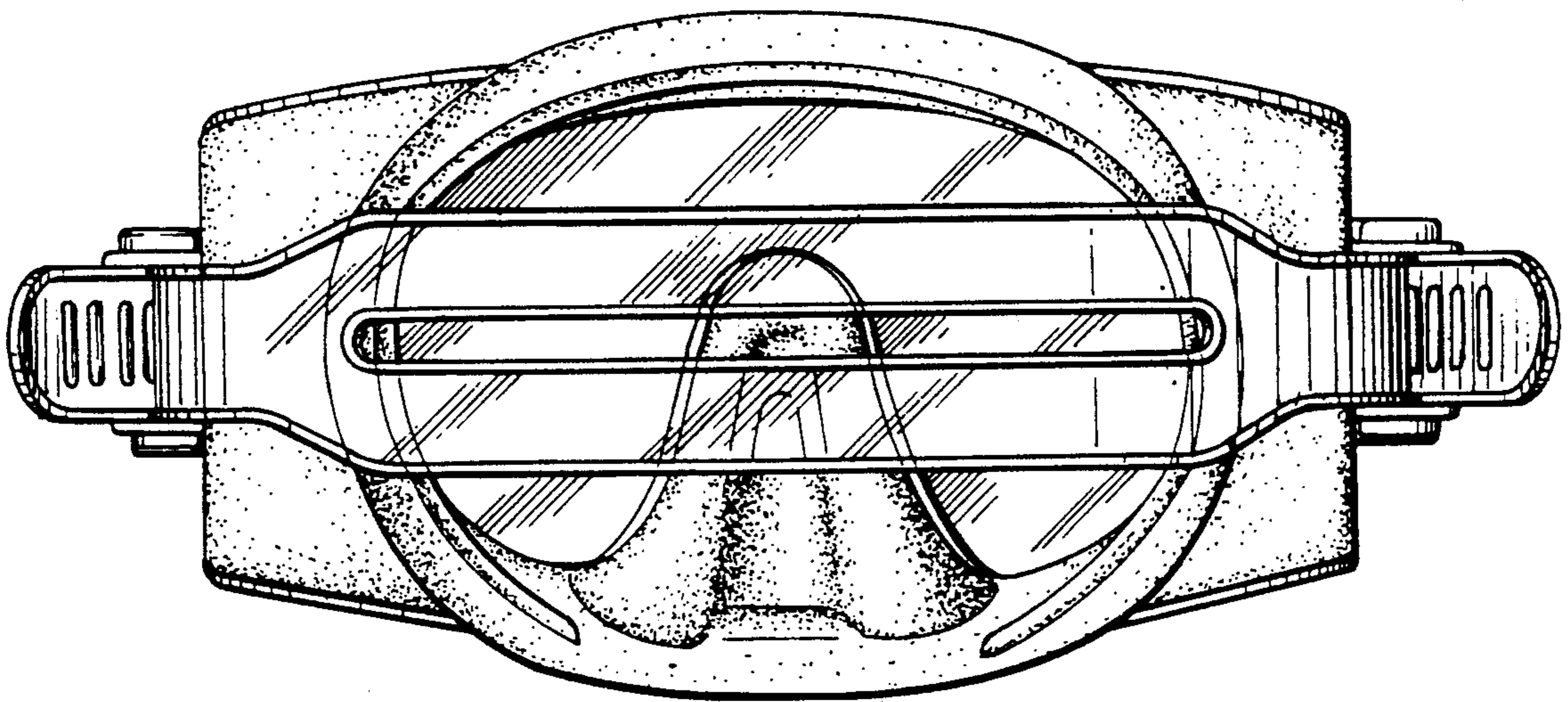


FIG. 5

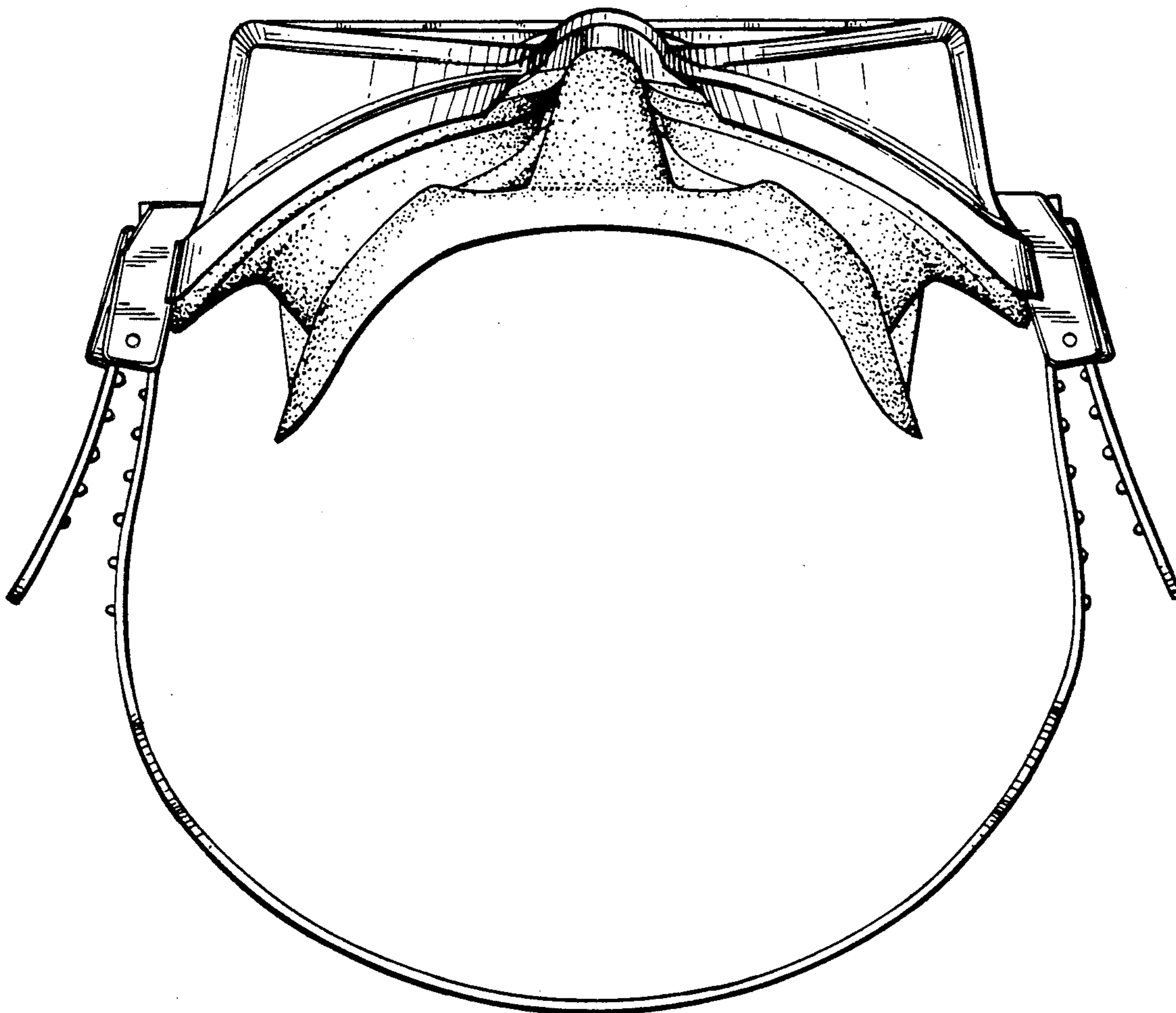


FIG. 6