

[54] TWEEZER HOLDER

[75] Inventor: Glen H. Baron, Simsbury, Conn.

[73] Assignee: El Mar, Inc., West Hartford, Conn.

[**] Term: 14 Years

[21] Appl. No.: 326,126

[22] Filed: Mar. 20, 1989

[52] U.S. Cl. D28/55

[58] Field of Search D28/55, 56, 57, 61,
D28/62; 30/26, 124; 132/73, 76.5; 128/354;
294/99.2

[56] References Cited

U.S. PATENT DOCUMENTS

D. 262,089	12/1981	Fahy	294/99.2
D. 263,502	3/1982	Tartaglia	294/99.2
1,200,158	10/1916	Barrett	294/99.2
2,620,560	12/1952	Bahr	30/124

OTHER PUBLICATIONS

Seastrom Manufacturing Co., Inc.

Primary Examiner—B. J. Bullock

Assistant Examiner—Sandra Morris

Attorney, Agent, or Firm—Chilton, Alix & Van Kirk

[57] CLAIM

The ornamental design for a tweezer holder, as shown and described.

DESCRIPTION

FIG. 1 is a front elevational view of a tweezer holder showing my new design, with broken lines shown for illustrative purposes;

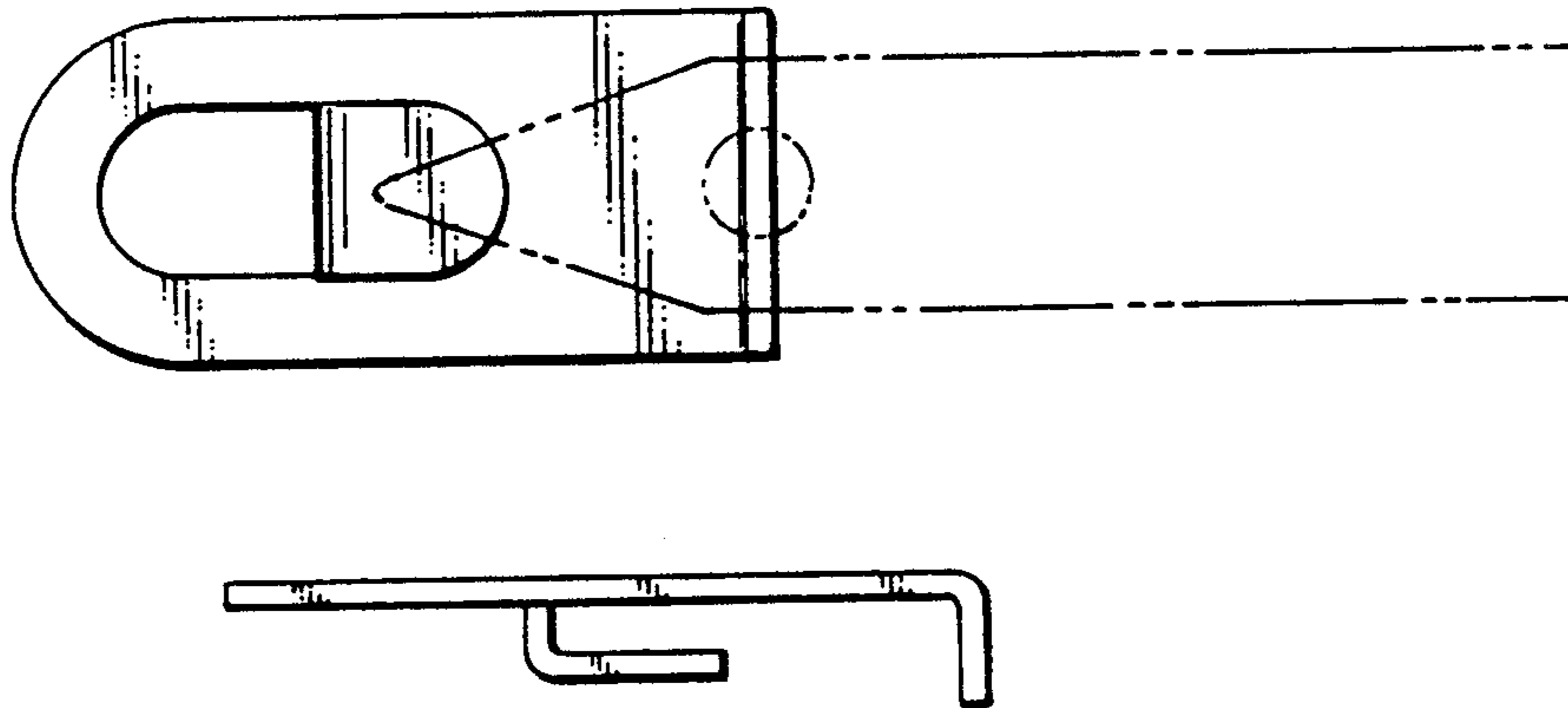
FIG. 2 is a rear elevational view thereof;

FIG. 3 is a top plan view thereof;

FIG. 4 is a bottom plan view thereof;

FIG. 5 is a left side elevational view thereof; and

FIG. 6 is a right side elevational view thereof.



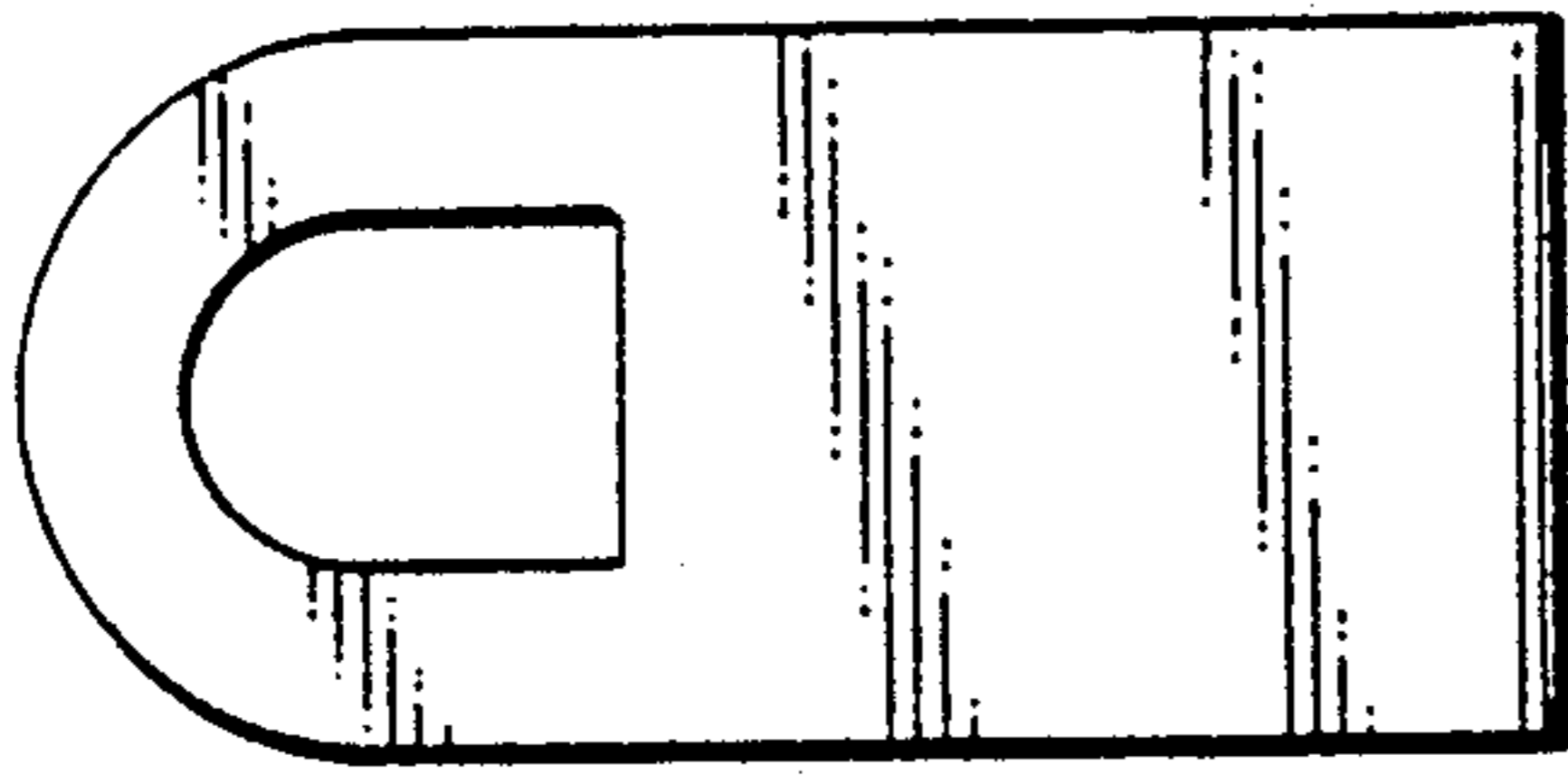


FIG. 2



FIG. 5

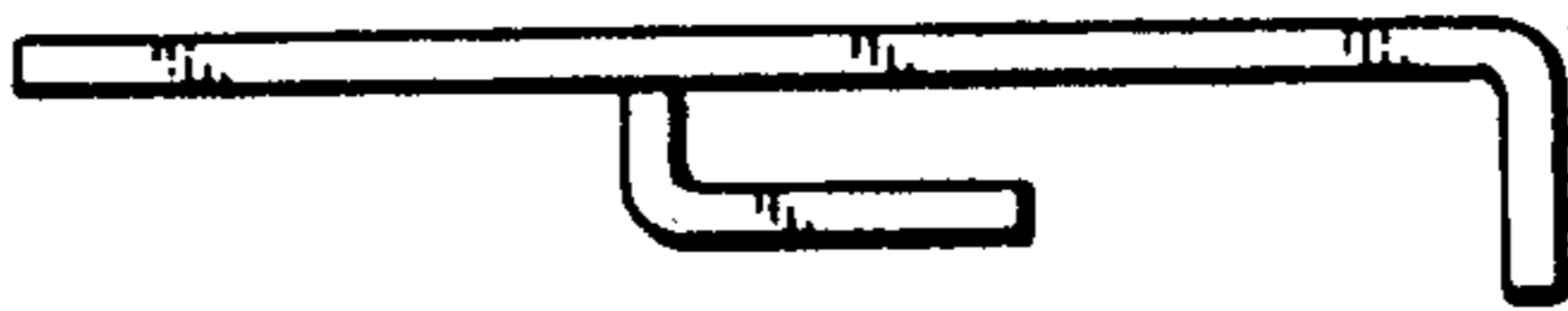


FIG. 3



FIG. 6

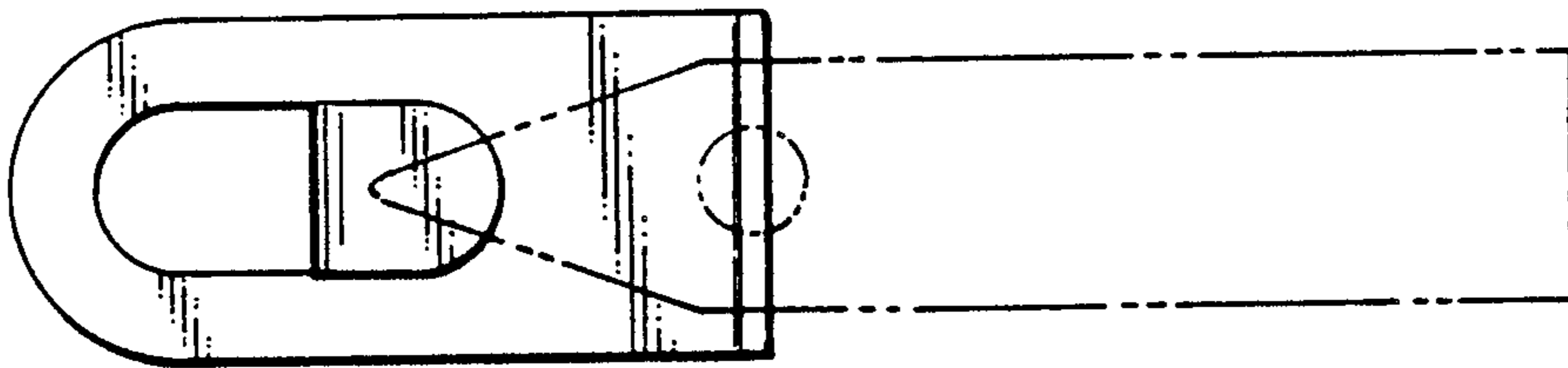


FIG. 1



FIG. 4