

[54] DETACHABLE HANDLE FOR A LIGHTING FIXTURE

[75] Inventor: Avrum R. Goldstein, Trumbull, Conn.

[73] Assignee: Steri-Safe Inc., Trumbull, Conn.

[\*\*] Term: 14 Years

[21] Appl. No.: 243,934

[22] Filed: Sep. 12, 1988

[52] U.S. Cl. .... D26/113; D8/107

[58] Field of Search ..... D26/140, 138, 113, 60, D26/66; 362/804; 74/544, 488, 489, 551.8, 551.9; 81/177.1, 177.6; 29/235; D16/243, 245; D8/107

[56] References Cited

U.S. PATENT DOCUMENTS

D. 153,609	5/1949	Keane	.....	D8/DIG. 4
D. 180,027	4/1957	Zent	.....	D16/243
D. 296,927	7/1988	Rubin	.....	D24/30
2,091,458	8/1937	Sleight	.....	16/DIG. 12
2,275,875	3/1942	Werfel	.....	16/DIG. 24
3,503,276	3/1970	Vigot	.....	74/544

4,197,764	4/1980	Auernhammer	.....	D8/107
4,276,675	7/1987	Piock	.....	74/544
4,446,968	5/1984	Bremer	.....	16/DIG. 24

OTHER PUBLICATIONS

Hammacher Schlemmer & Co., 1914, Handles-Octagon-Stamped Brass Ferrule.

Primary Examiner—Wallace R. Burke

Assistant Examiner—Marcus Jackson

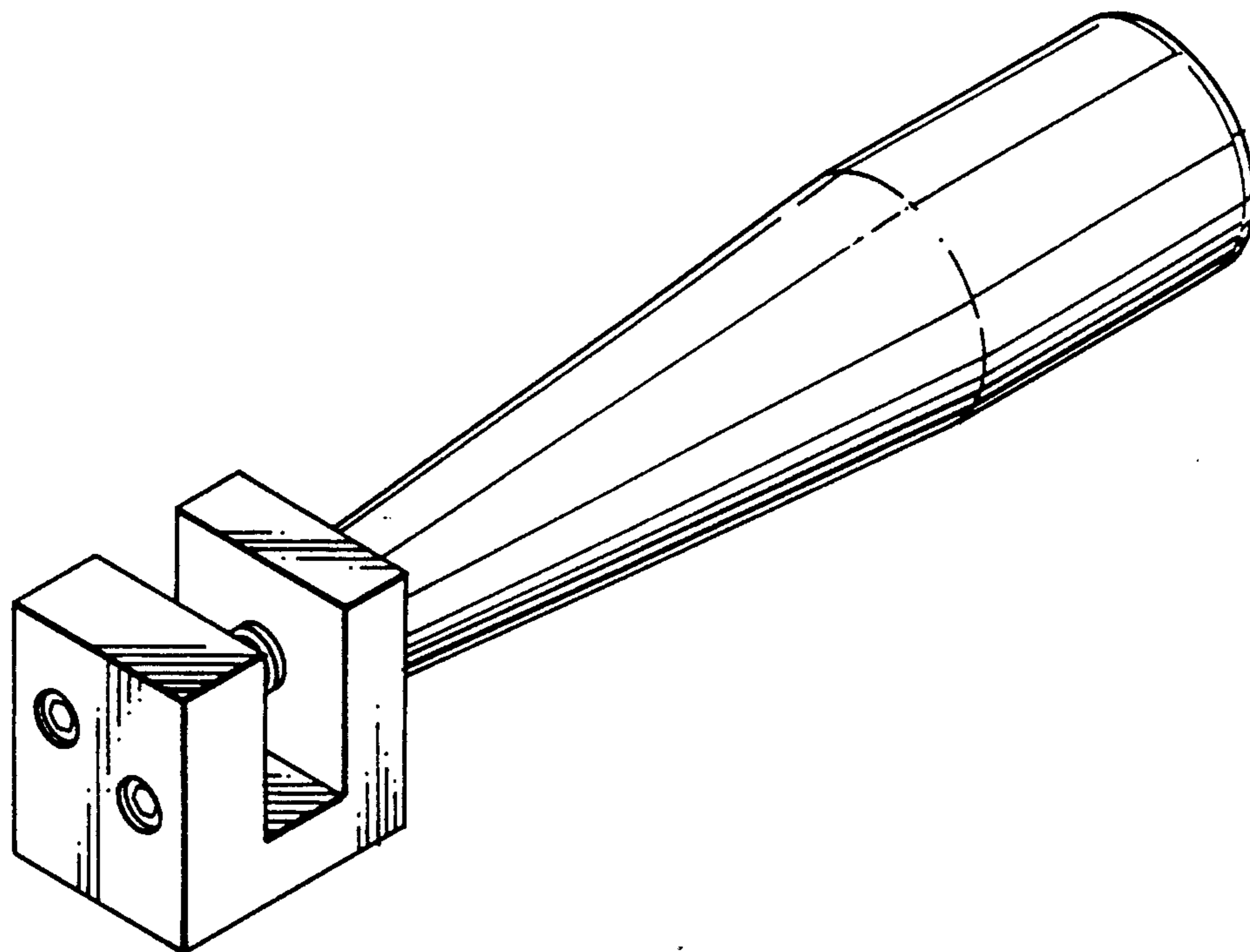
Attorney, Agent, or Firm—St. Onge Steward Johnston & Reens

[57] CLAIM

The ornamental design for a detachable handle for a lighting fixture, as shown and described.

DESCRIPTION

FIG. 1 is a top perspective view of a detachable handle for a lighting fixture showing my new design; FIG. 2 is a right side elevational view with the opposite side being a mirror image thereof; FIG. 3 is a top plan view thereof; FIG. 4 is a bottom plan view thereof; FIG. 5 is a front elevational view thereof; FIG. 6 is a rear elevational view thereof.



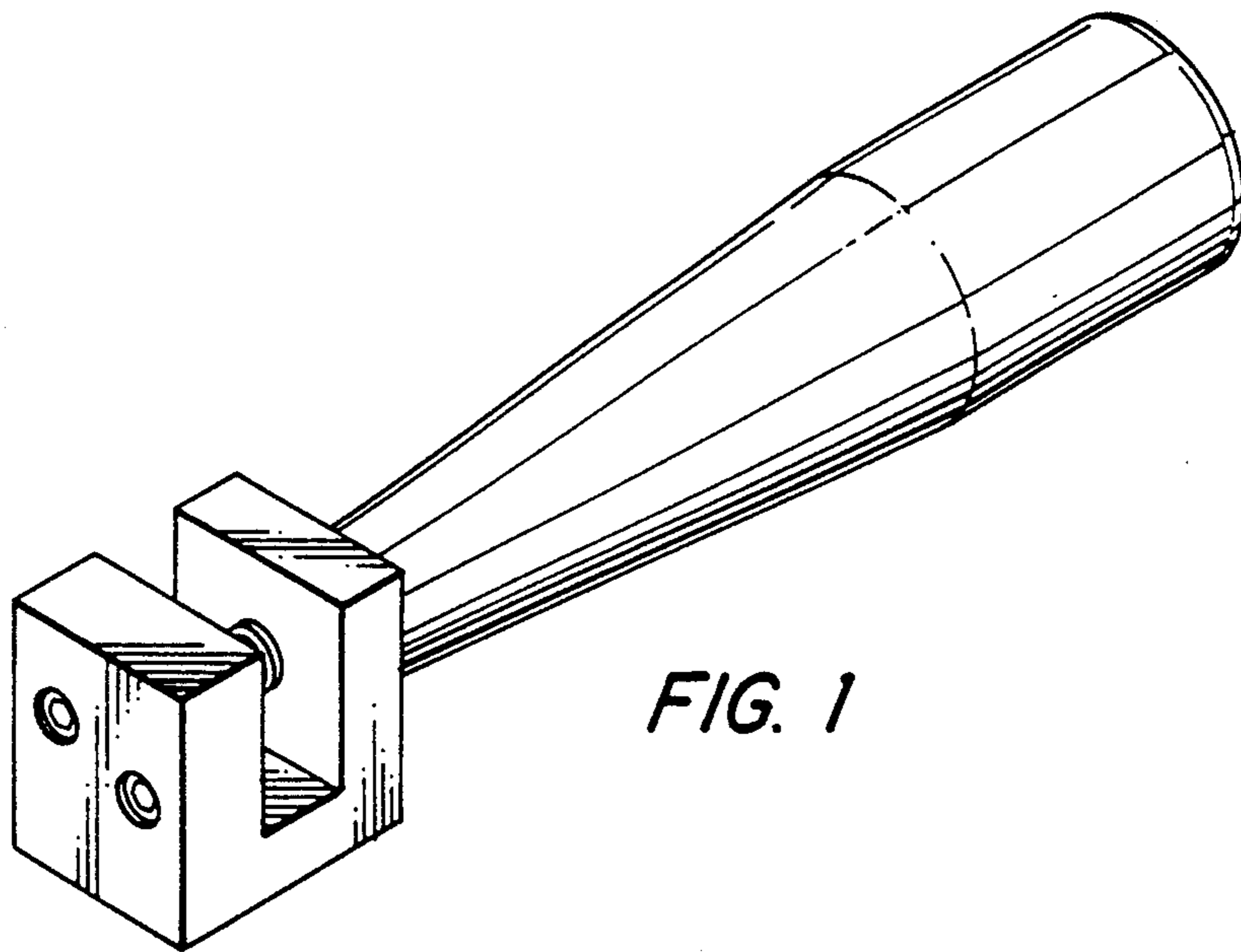


FIG. 1

FIG. 2

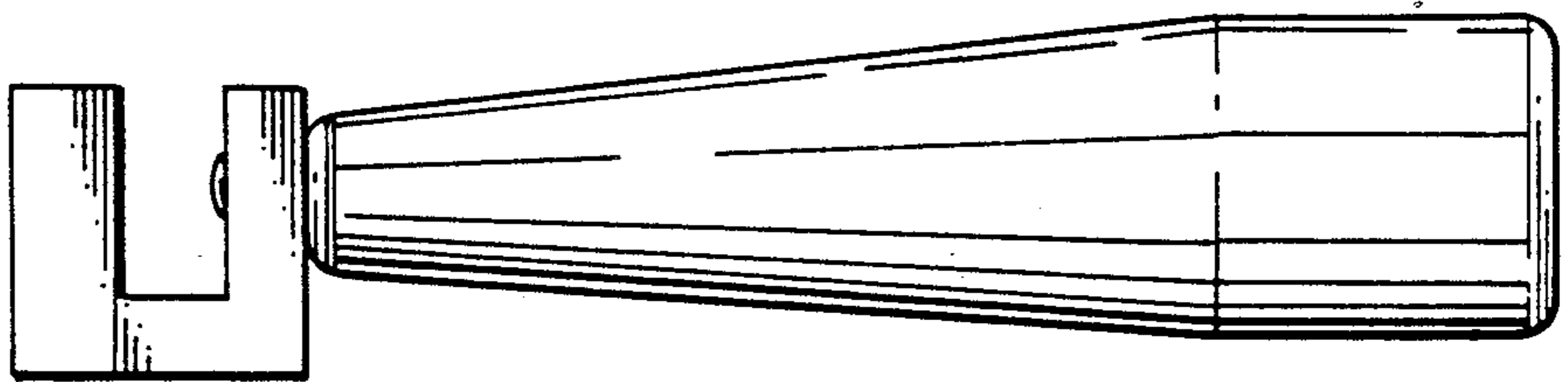


FIG. 3

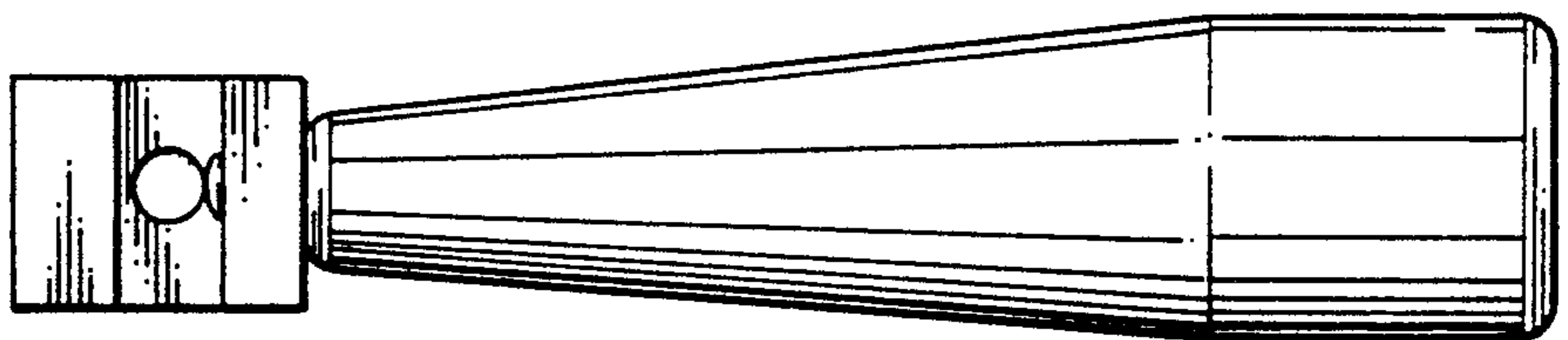


FIG. 4



FIG. 5

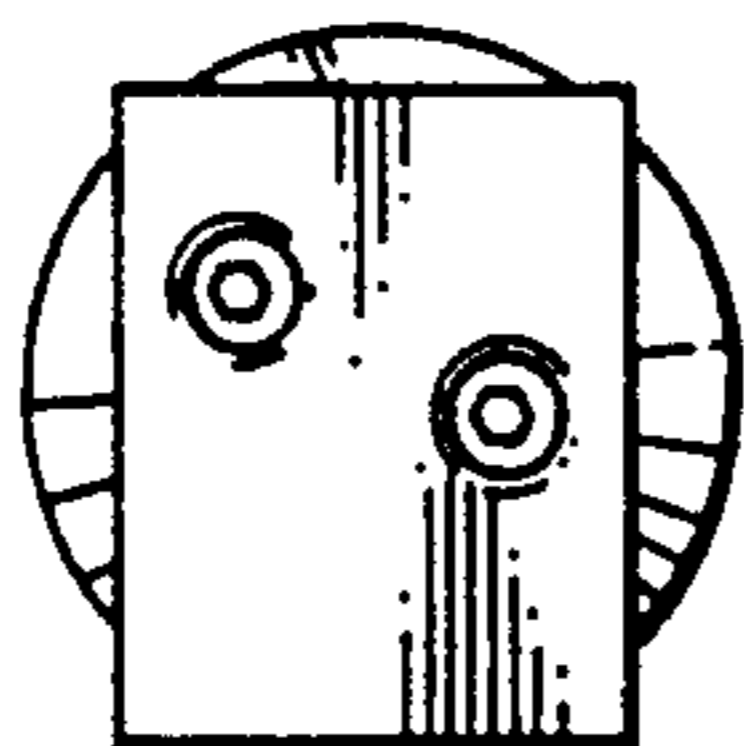


FIG. 6

