

[54] ADJUSTABLE TABLE LAMP

[76] Inventor: Franco Pagliarini, Via Liberta, 37, 20019 Settimo Milanese (Milan), Italy

[**] Term: 14 Years

[21] Appl. No.: 316,692

[22] Filed: Feb. 28, 1989

[30] Foreign Application Priority Data

Sep. 2, 1988 [XB] Benelux DM/011669

[52] U.S. Cl. D26/65

[58] Field of Search D26/60-66, D26/93, 102-112; 362/410-414, 269, 275, 287, 418, 419, 427

[56] References Cited

U.S. PATENT DOCUMENTS

- D. 281,357 11/1985 Gismondi D26/63
- D. 284,108 6/1986 Bonetto D26/65
- D. 302,865 8/1989 Von Klier D26/63

- 4,772,991 9/1988 Wood 362/427 X
- 4,772,993 9/1988 Engel 362/419

OTHER PUBLICATIONS

Home Lighting & Accessories, 3-1986, p. 165, Triangular base.

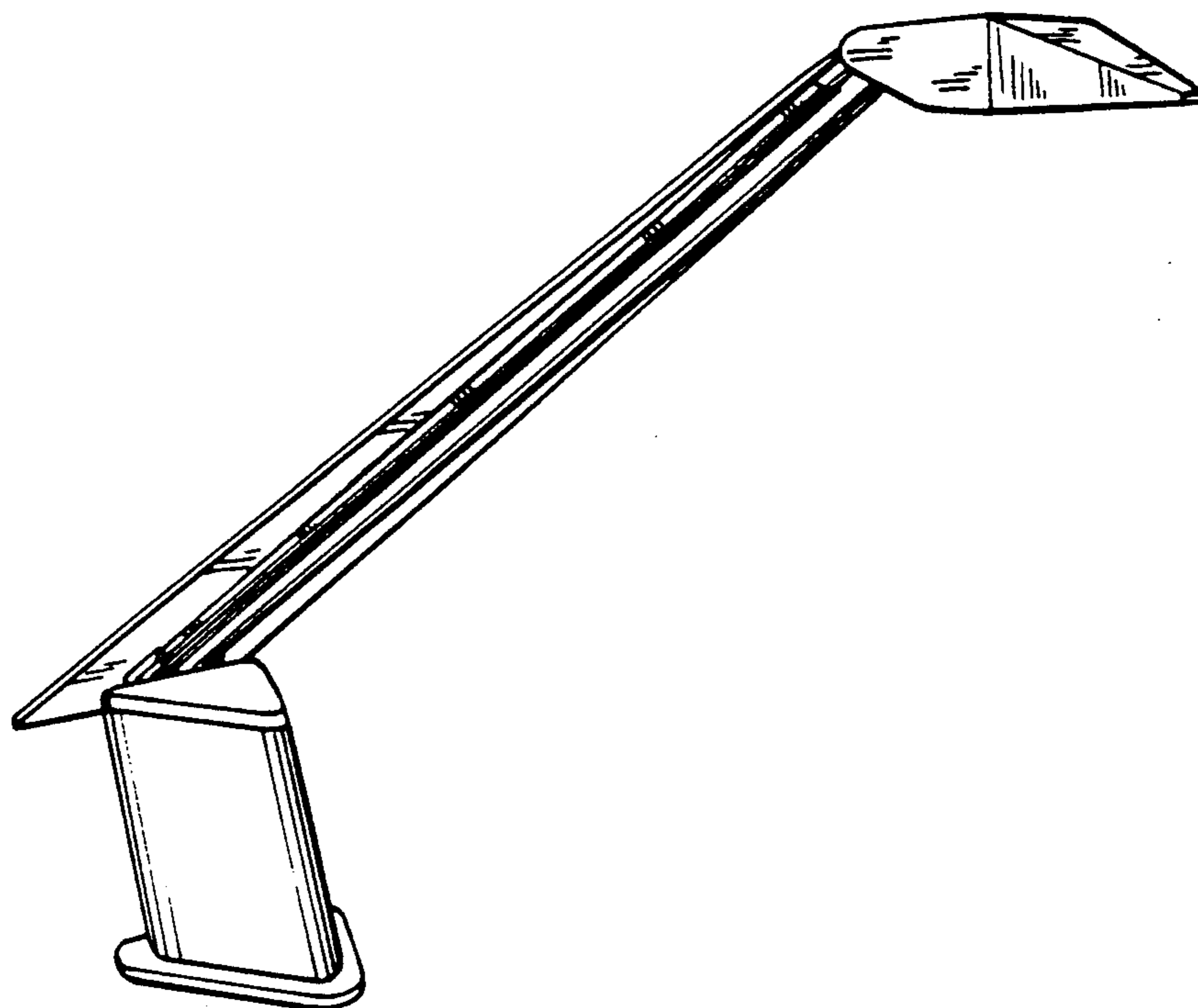
Primary Examiner—Susan J. Lucas
Attorney, Agent, or Firm—Bucknam and Archer

[57] CLAIM

The ornamental design for an adjustable table lamp, as shown.

DESCRIPTION

FIG. 1 is a front, left side perspective view of an adjustable table lamp showing my new design; FIG. 2 is a left side elevational view thereof; FIG. 3 is a right side elevational view thereof; FIG. 4 is a top plan view thereof; FIG. 5 is a bottom plan view thereof; FIG. 6 is a rear elevational view thereof; FIG. 7 is a front elevational view thereof.



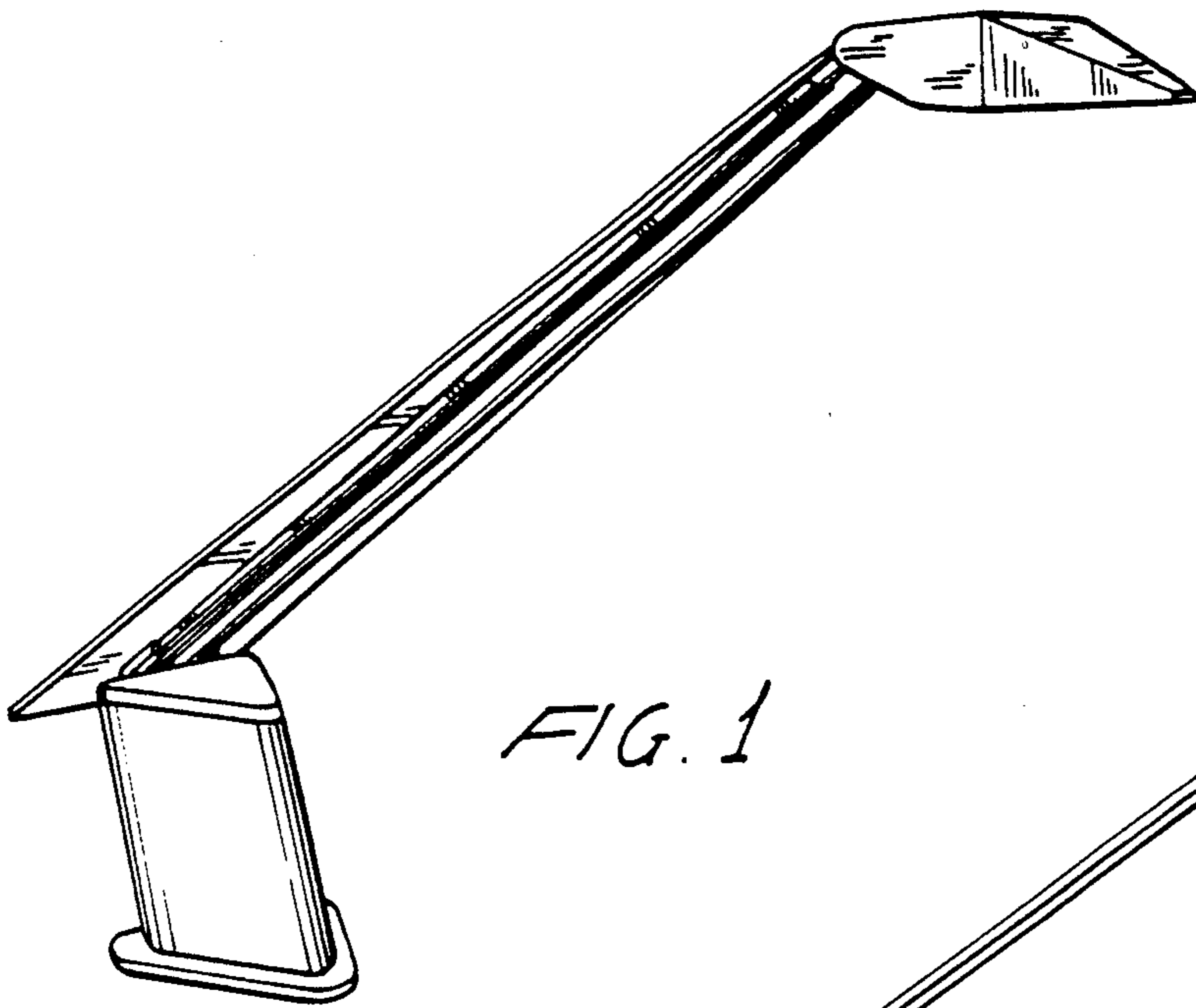


FIG. 1

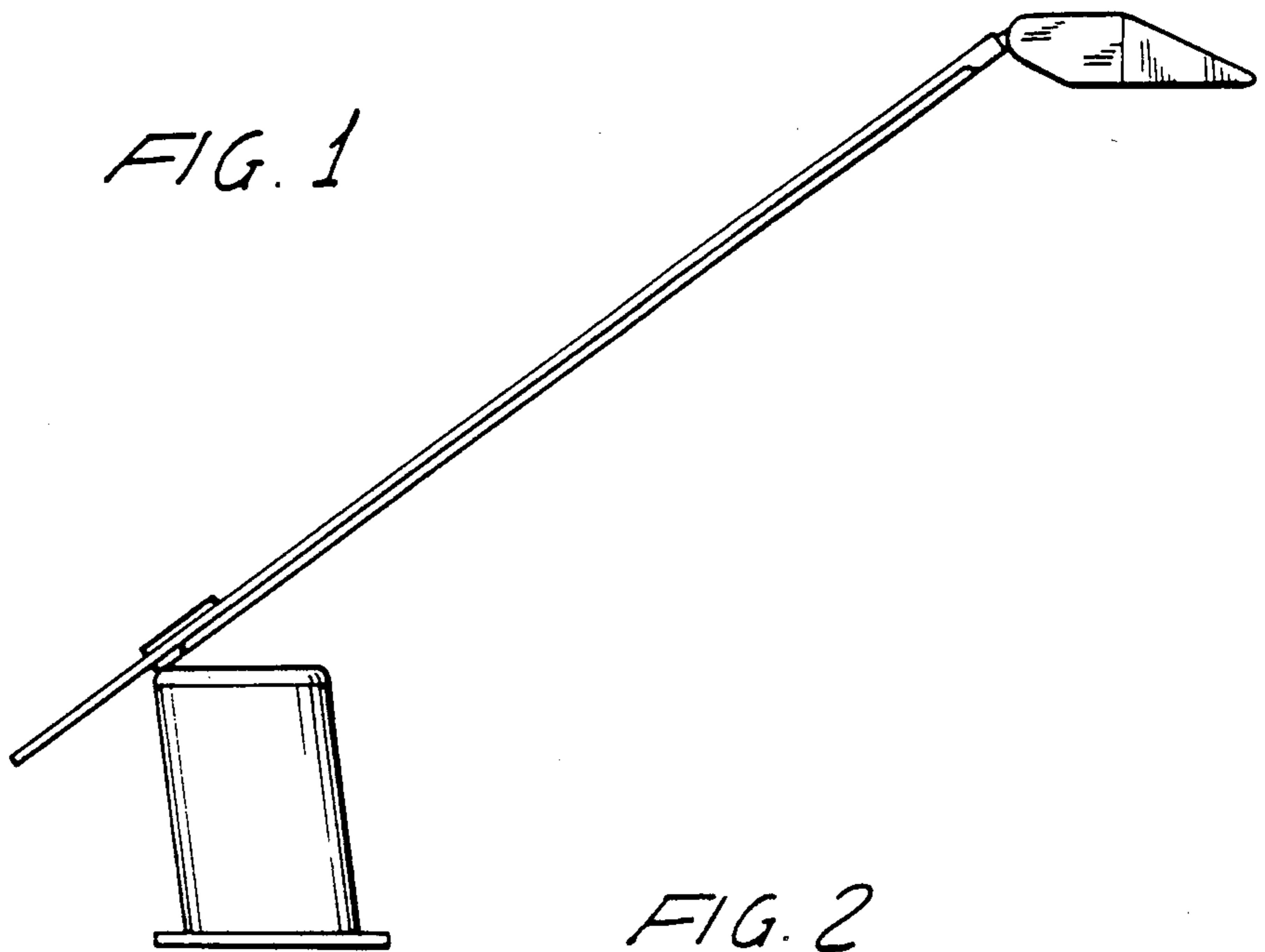


FIG. 2

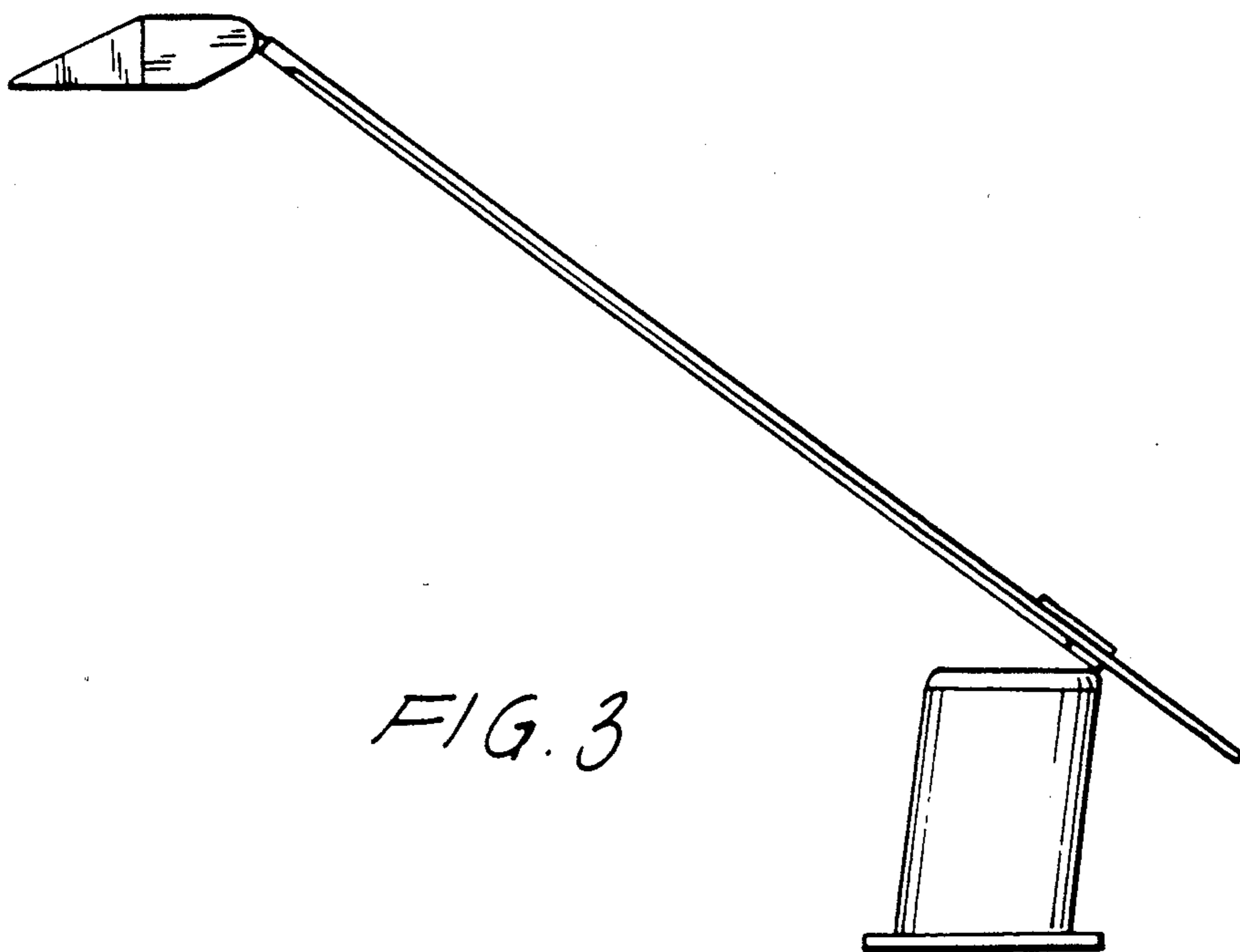


FIG. 3

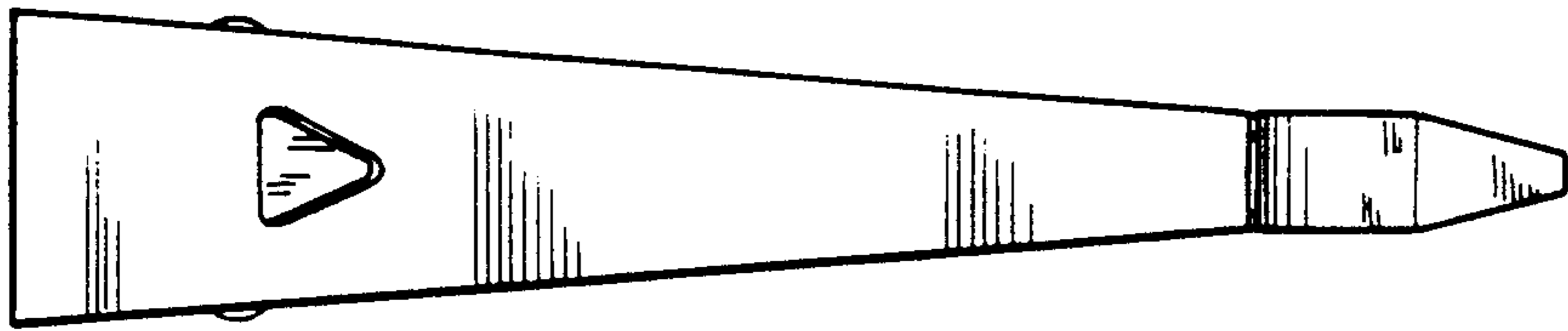


FIG. 4

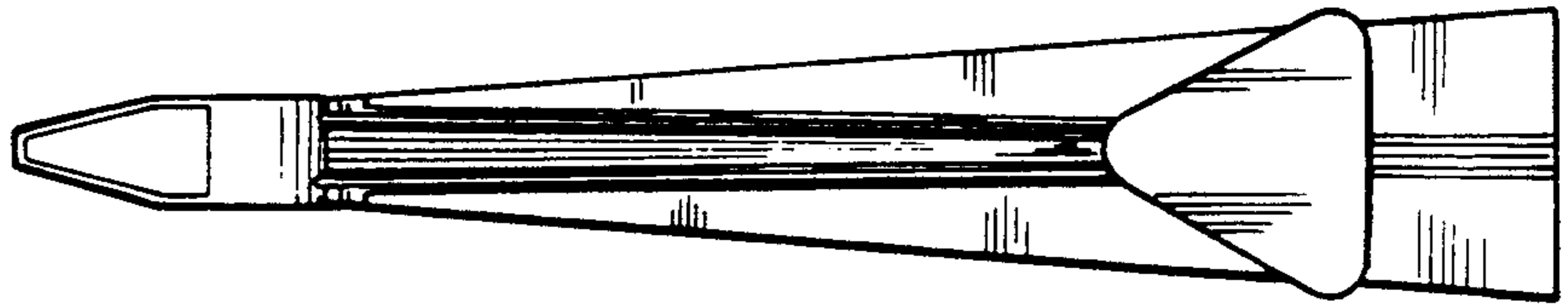


FIG. 5

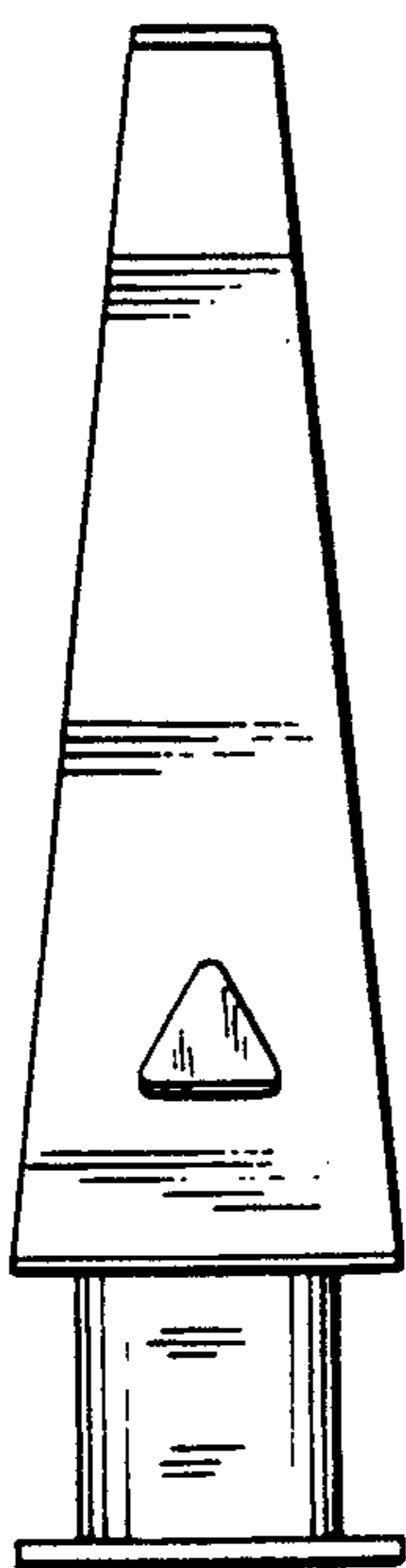


FIG. 6

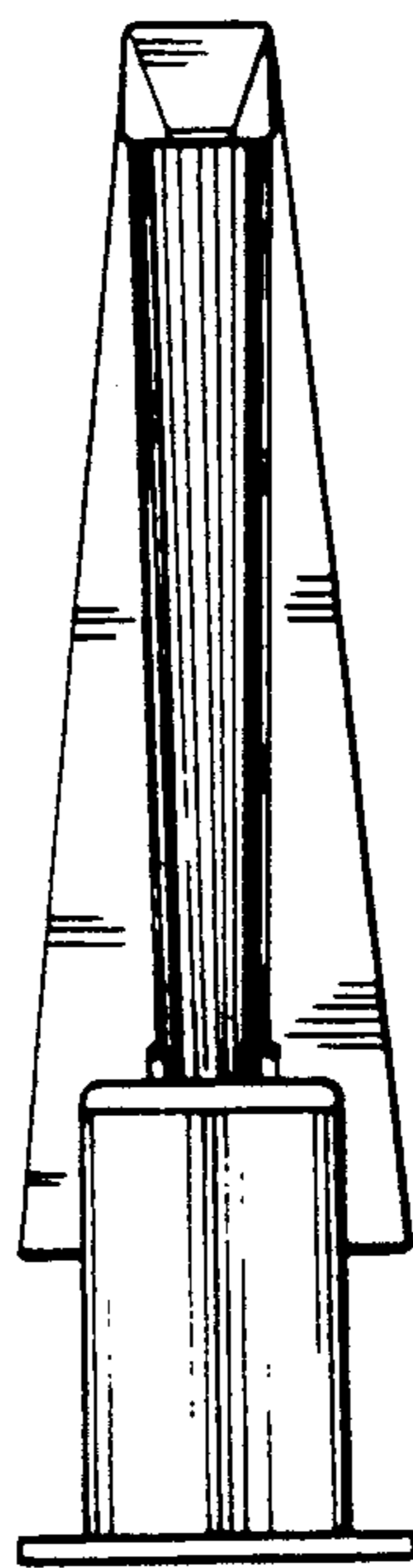


FIG. 7