

[54] SPOTLIGHT HOUSING

[75] Inventors: Stefanus F. Joosten, Eindhoven; Leonardus A. Krol, Gorichem, both of Netherlands

[73] Assignee: U.S. Philips Corporation, New York, N.Y.

[\*\*] Term: 14 Years

[21] Appl. No.: 345,505

[22] Filed: May 1, 1989

[30] Foreign Application Priority Data

Nov. 9, 1988 [WO] World Int. Prop. O. .... DMA/000.874

[52] U.S. Cl. .... D26/63; D26/24

[58] Field of Search .... D26/60-65, D26/24, 72, 81-92; 362/147, 269, 275, 287, 418, 419, 427, 404, 432

[56] References Cited

U.S. PATENT DOCUMENTS

D. 209,076 10/1967 Ortega ..... D26/63

D. 234,218 1/1975 Donato ..... D26/65  
D. 239,967 5/1976 Ewing et al. .... D26/65

OTHER PUBLICATIONS

Alta Lite Catalog ©1981, p. 7, "Bullet" Spotlight #518-520.  
Swivelier Catalog ©1986, p. 45, Cylinder Beam Light Compact 38.

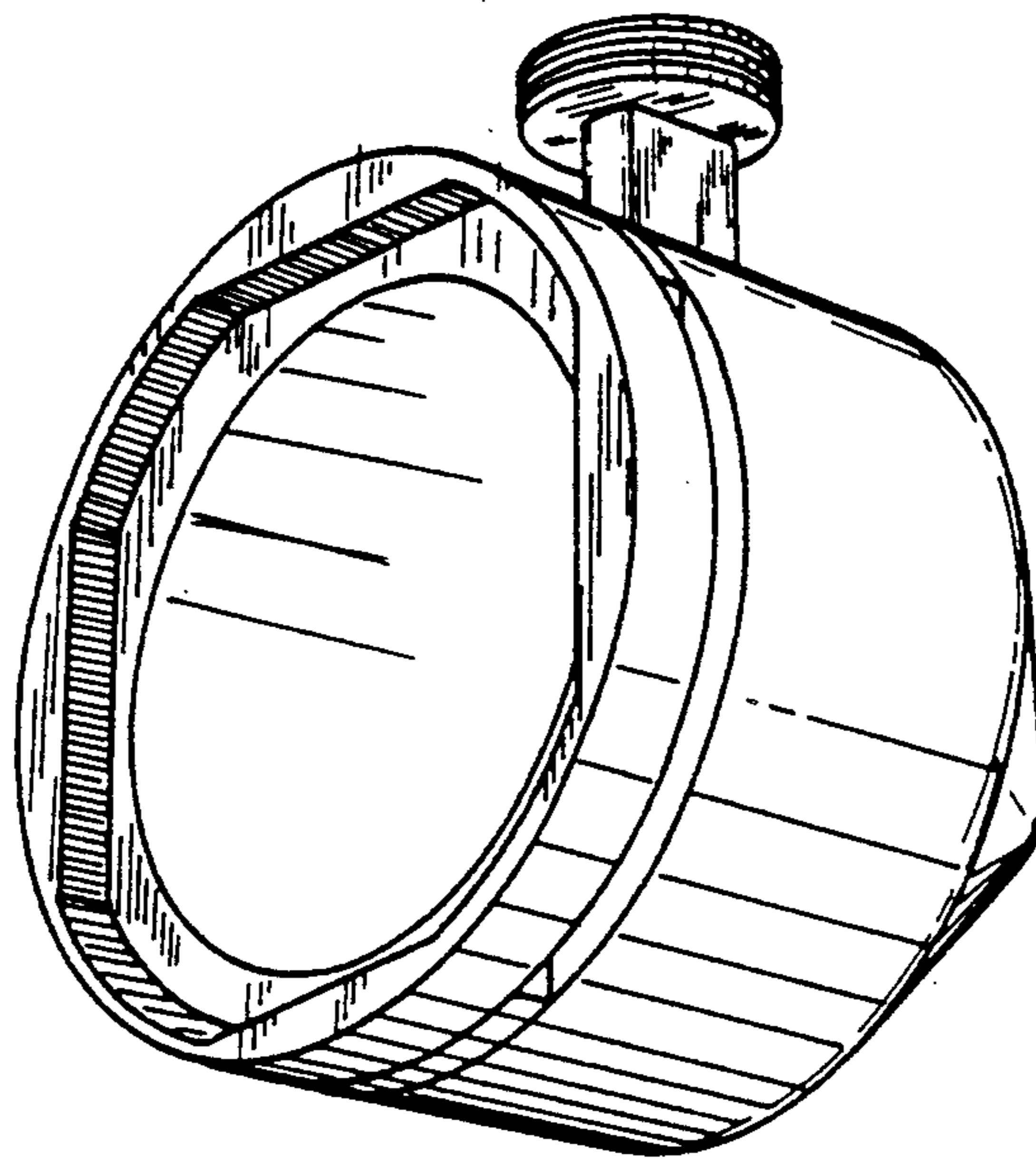
Primary Examiner—Susan J. Lucas  
Attorney, Agent, or Firm—Robert T. Mayer

[57] CLAIM

The ornamental design for a spotlight housing, as shown.

DESCRIPTION

FIG. 1 is a bottom, front, right side perspective view of a spotlight housing showing our new design;  
FIG. 2 is a front elevational view thereof;  
FIG. 3 is a rear elevational view thereof;  
FIG. 4 is a top plan view thereof;  
FIG. 5 is a bottom plan view thereof;  
FIG. 6 is a right side elevational view thereof;  
FIG. 7 is a left side elevational view thereof.



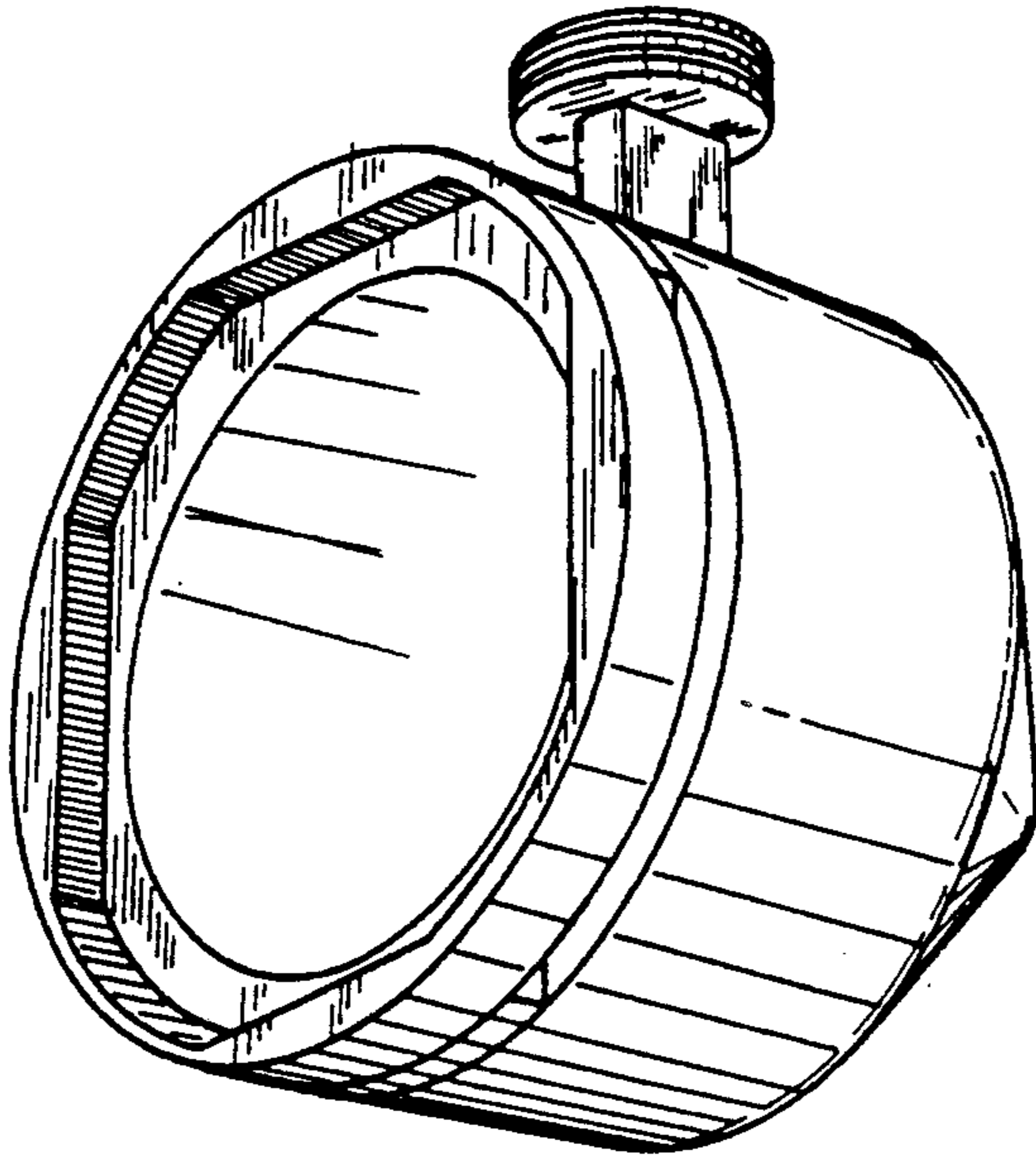


FIG. 1

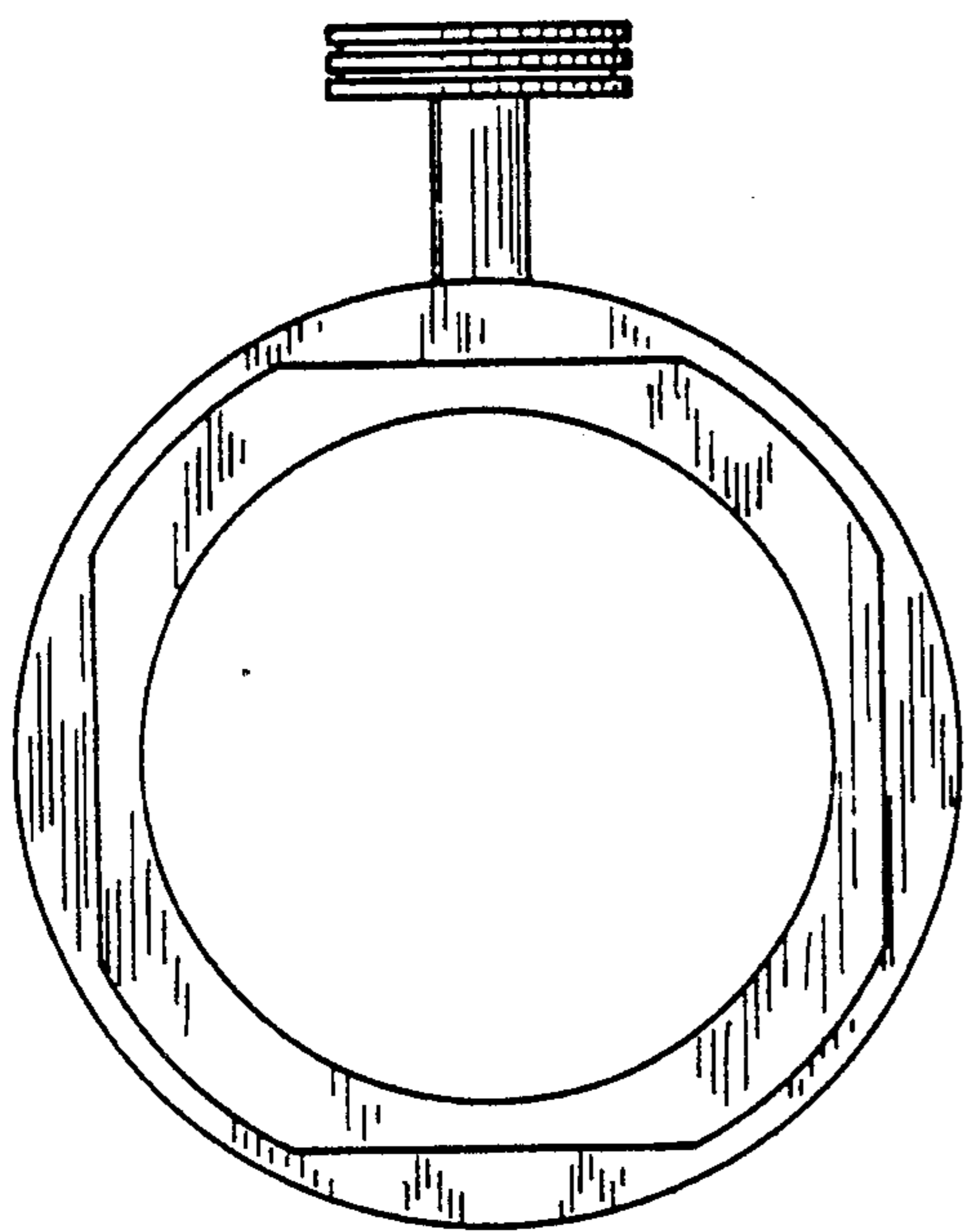


FIG. 2

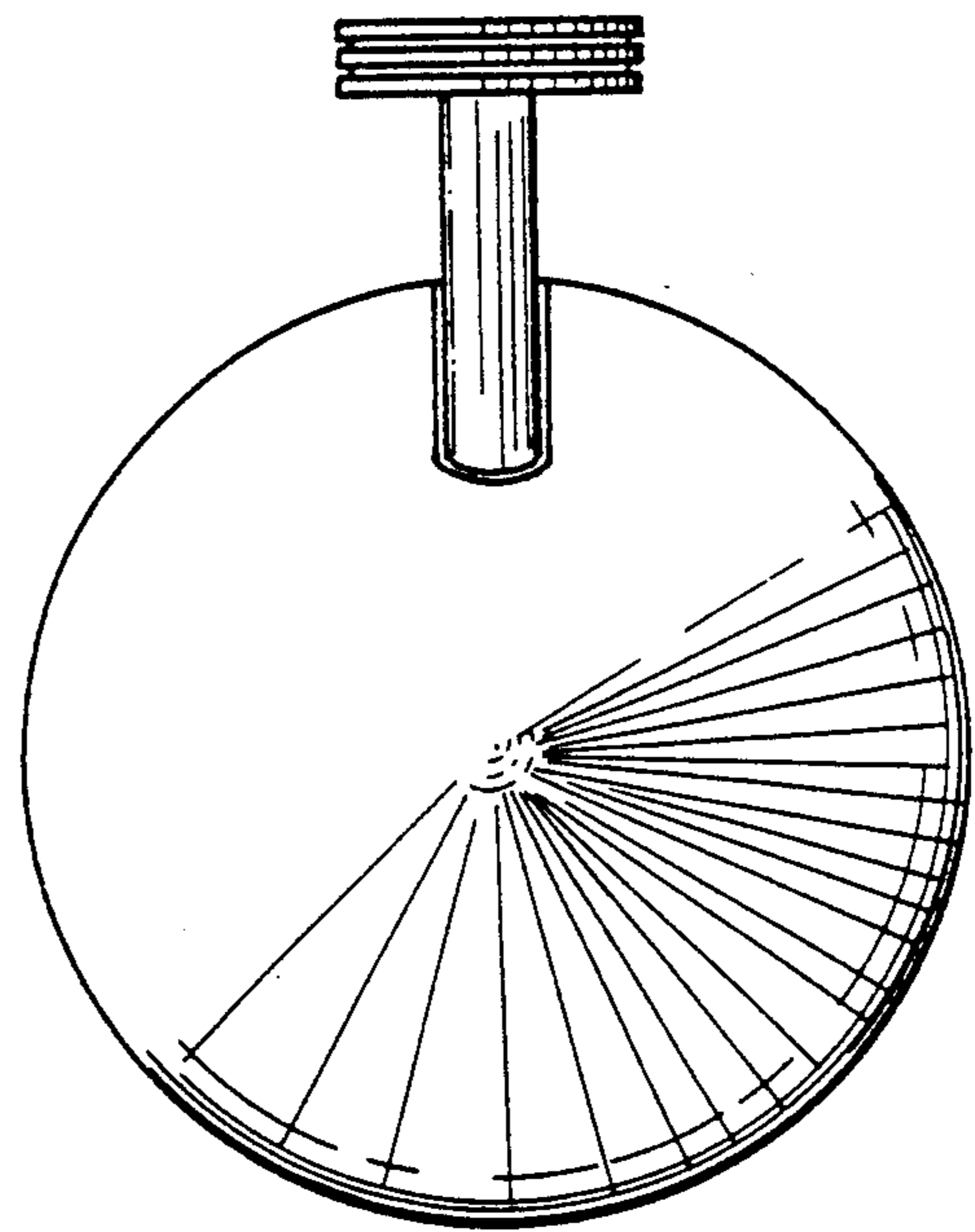


FIG. 3

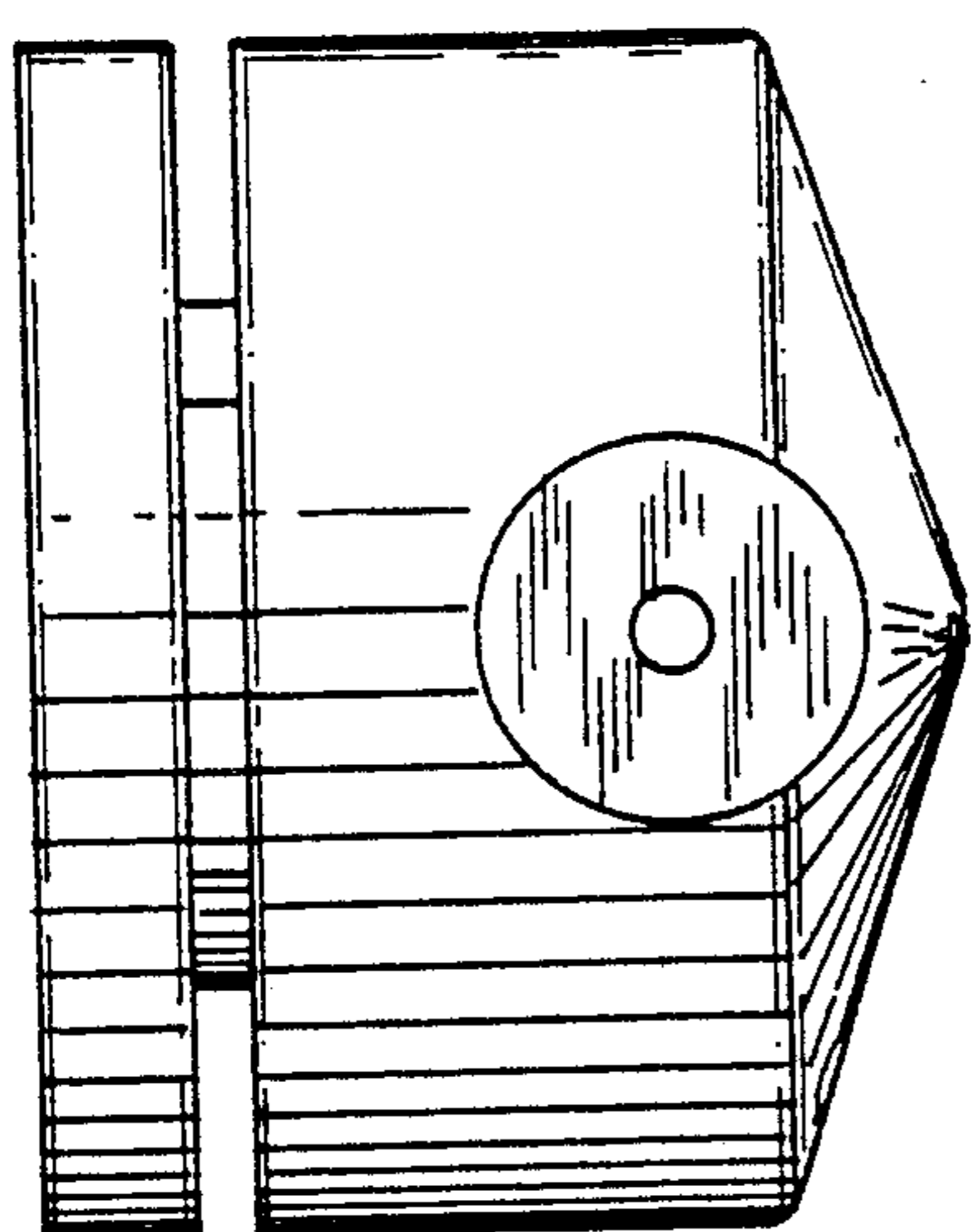


FIG. 4

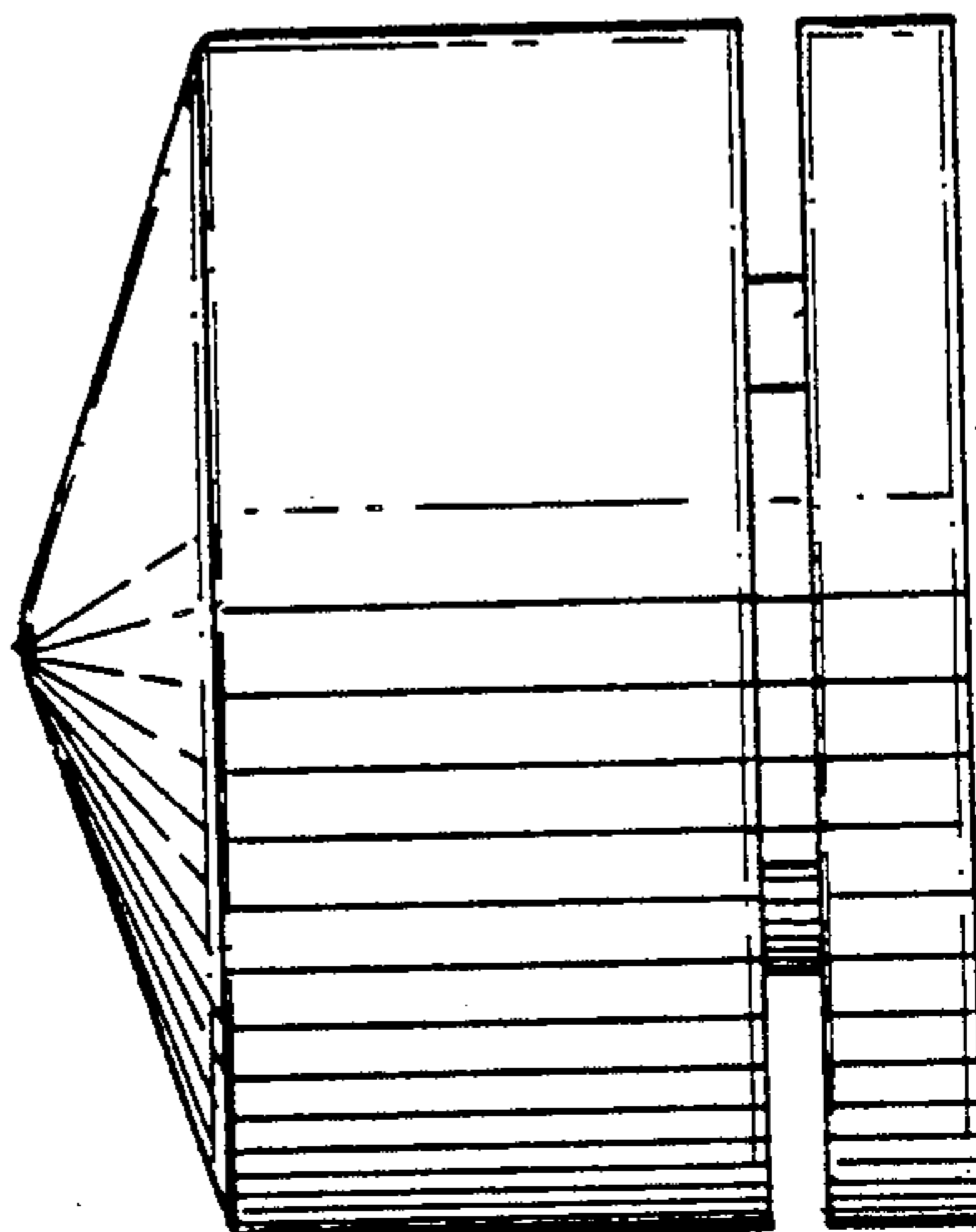


FIG. 5

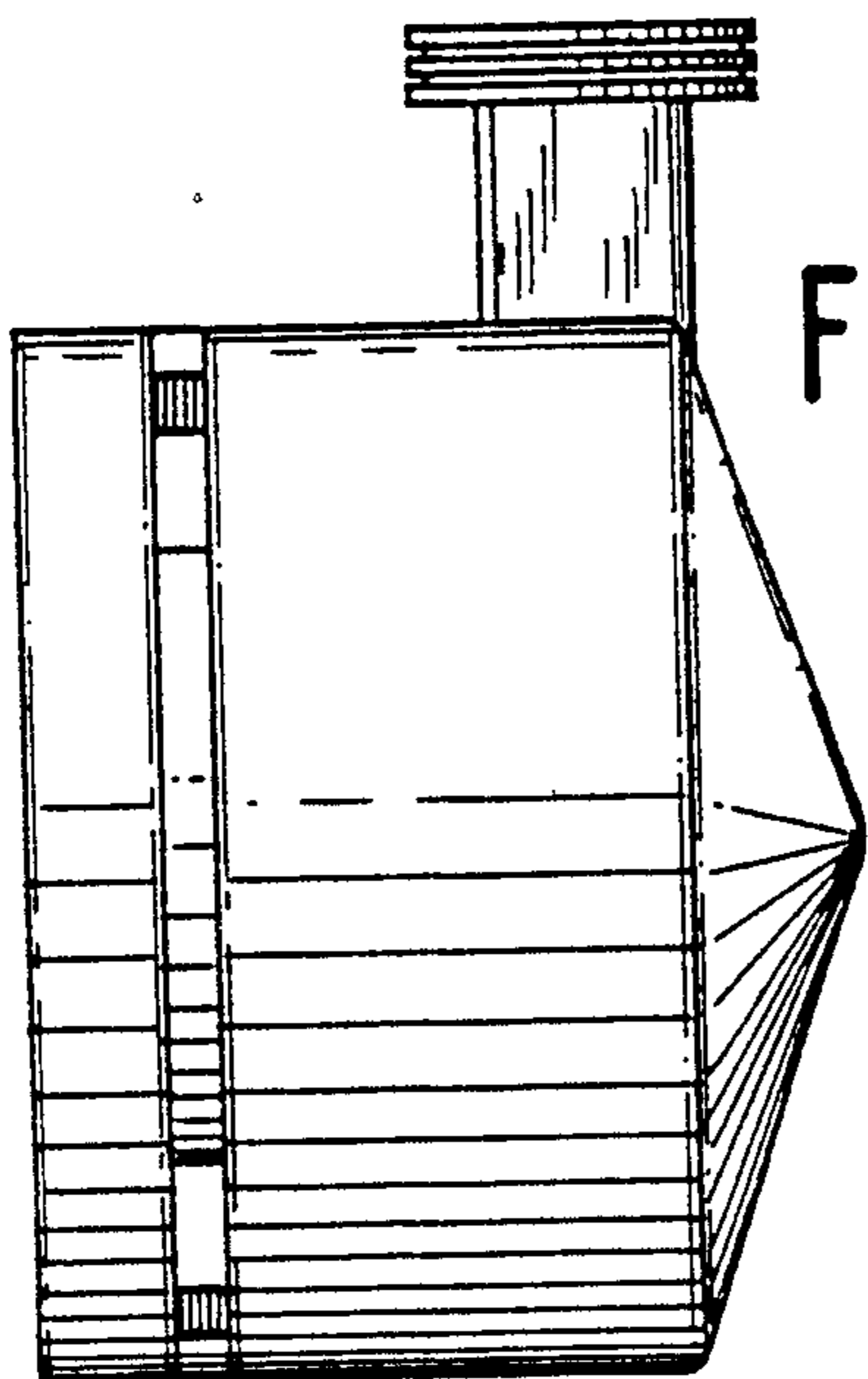


FIG. 6

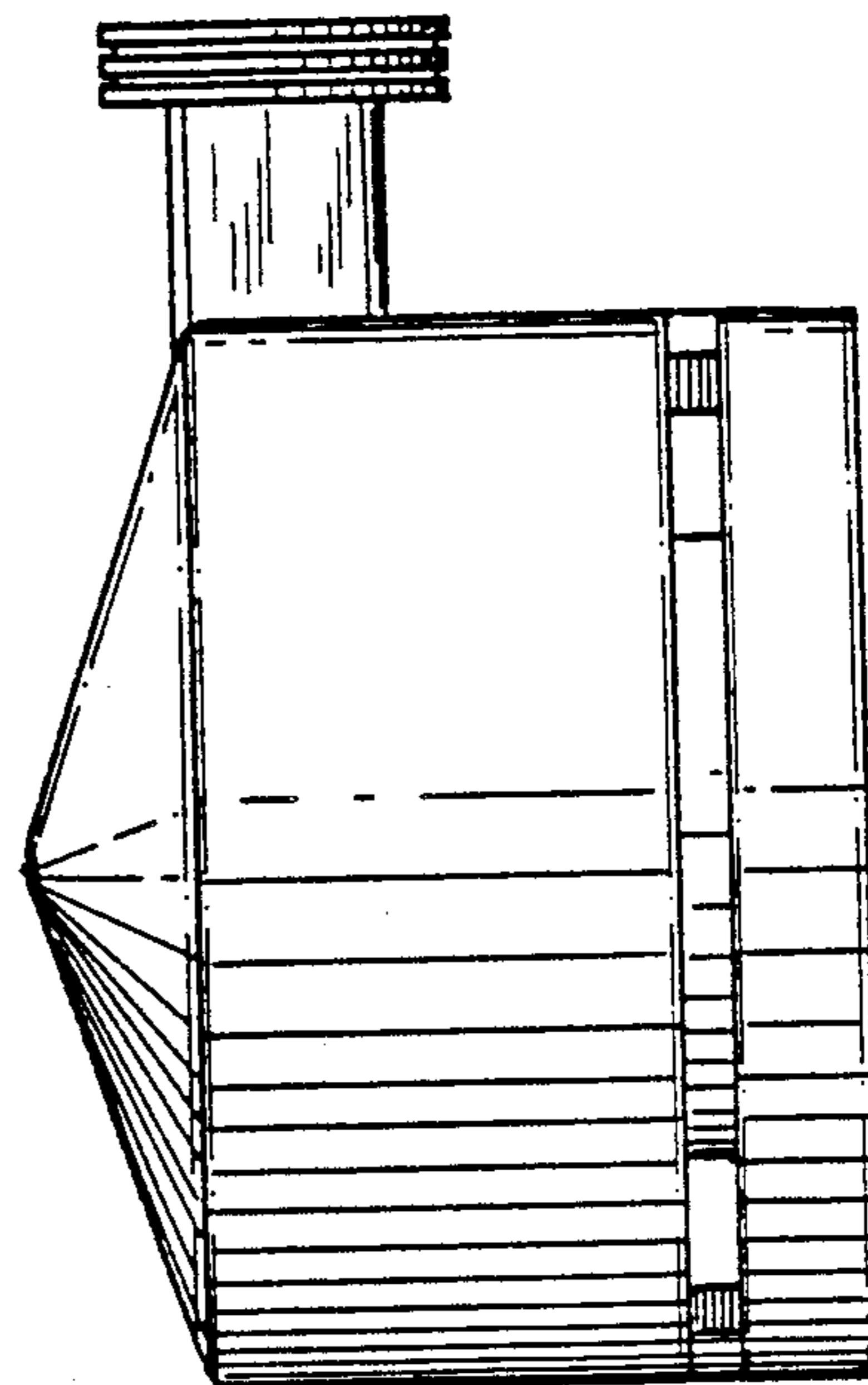


FIG. 7