

United States Patent [19]

Garrity

[11] Patent Number: Des. 315,609

[45] Date of Patent: ** Mar. 19, 1991

[54] FLASHLIGHT

[75] Inventor: Kevin S. Garrity, Madison, Conn.

[73] Assignee: Garrity Industries Communication Corp., Madison, Conn.

[**] Term: 14 Years

[21] Appl. No.: 233,472

[22] Filed: Aug. 17, 1988

[52] U.S. Cl. D26/49

[58] Field of Search D26/37-50;
362/157-158, 191-208, 183-190

[56] **References Cited**

U.S. PATENT DOCUMENTS

D. 205,679	9/1966	Moore et al.	D26/46
D. 285,356	8/1986	Schosser et al.	D26/49
D. 289,930	5/1987	Sano et al.	D26/49
D. 292,131	9/1987	Fenne	D26/43

D. 296,478 6/1988 Powell et al. D26/49

Primary Examiner—Susan J. Lucas

Assistant Examiner—M. H. Tung

Attorney, Agent, or Firm—Fitzpatrick, Cella, Harper & Scinto

[57] **CLAIM**

The ornamental design for flashlight, as shown and described.

DESCRIPTION

FIG. 1 is a top, front perspective view of a flashlight showing my new design.

FIG. 2 is a left side elevation view thereof, the right side being a mirror image thereof.

FIG. 3 is a plan view thereof.

FIG. 4 is a front elevation view thereof on an enlarged scale.

FIG. 5 is a rear elevation view thereof on an enlarged scale.

FIG. 6 is a bottom plan view thereof.

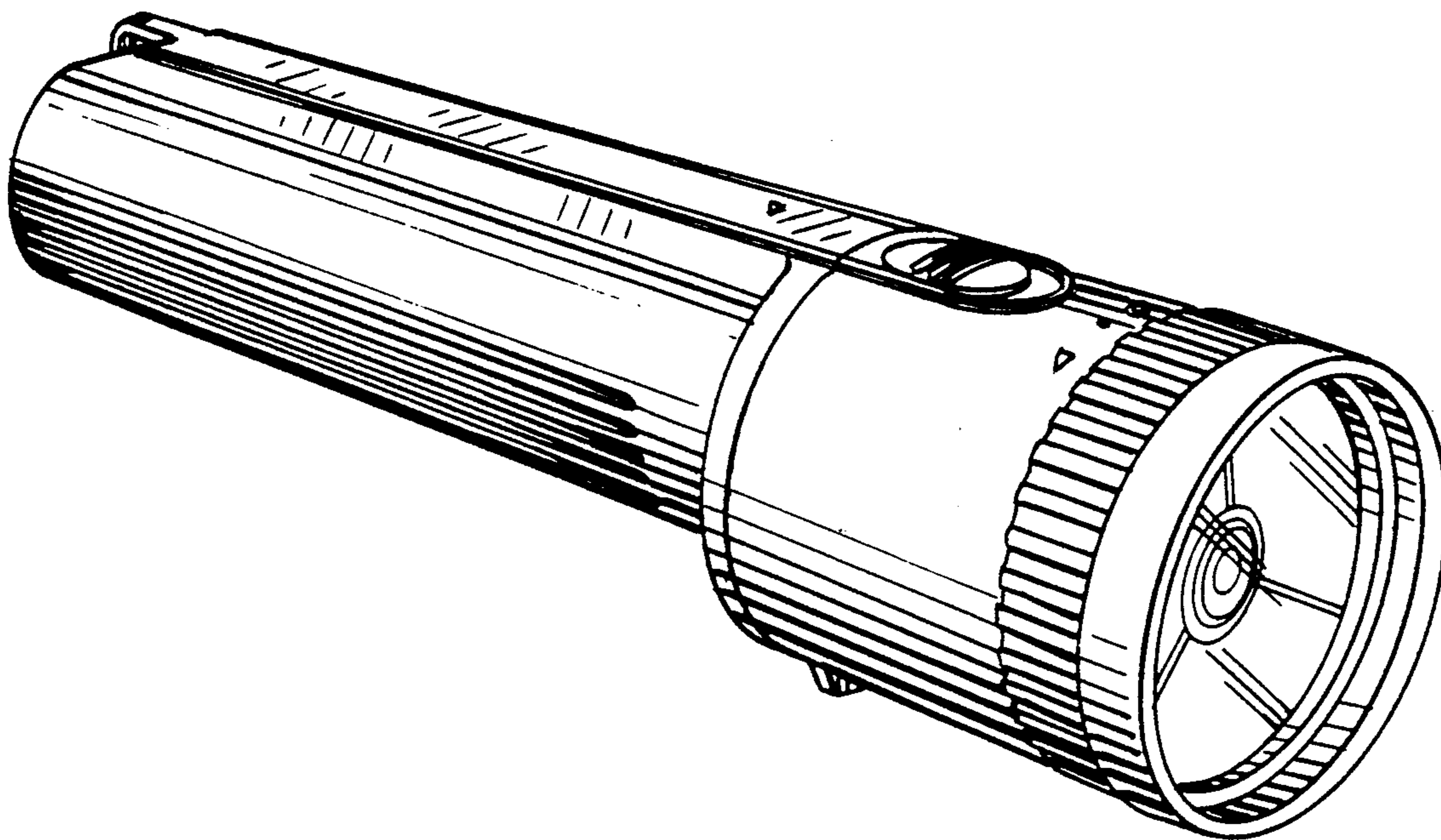


Fig. 1.

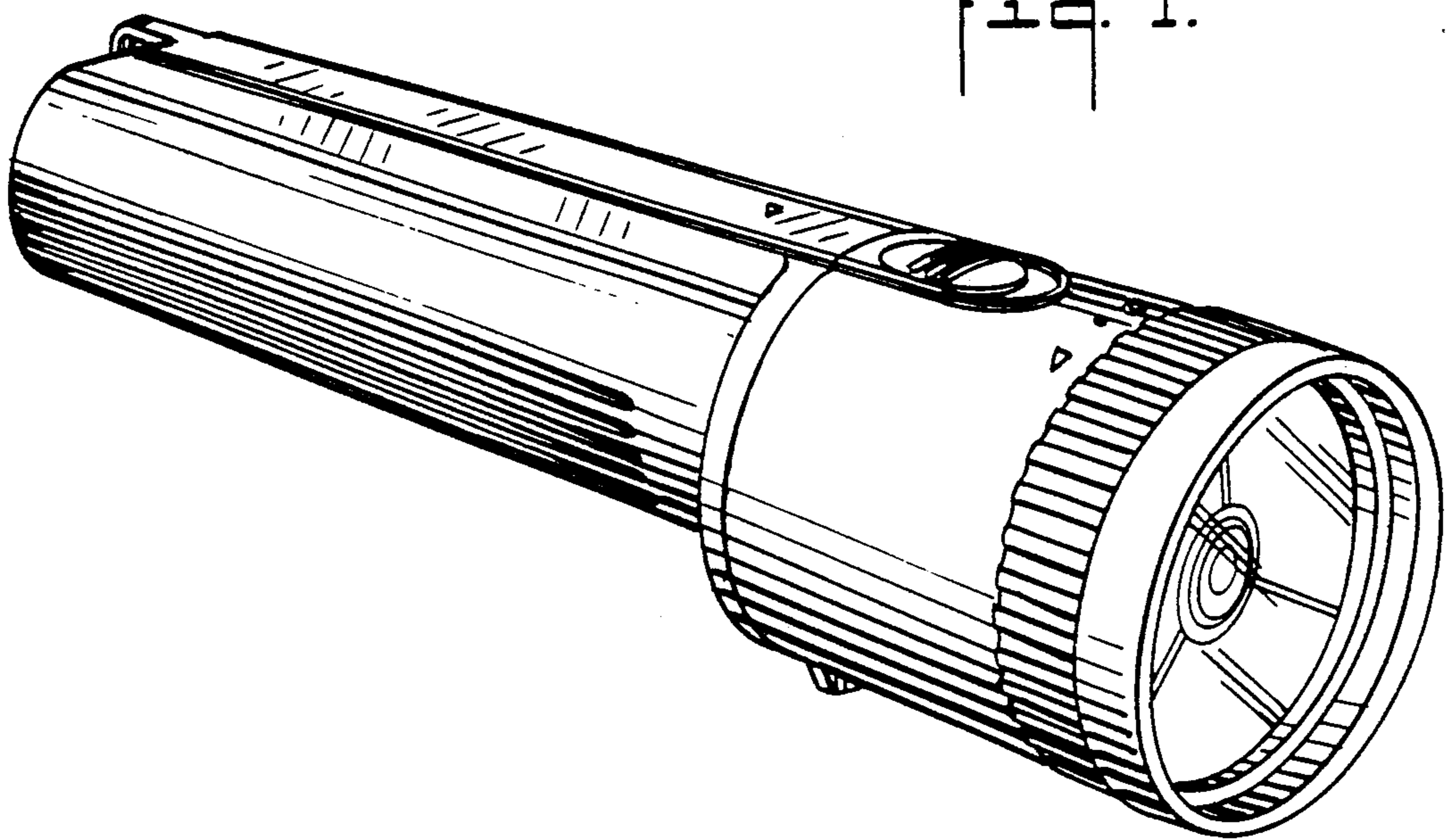


Fig. 2.

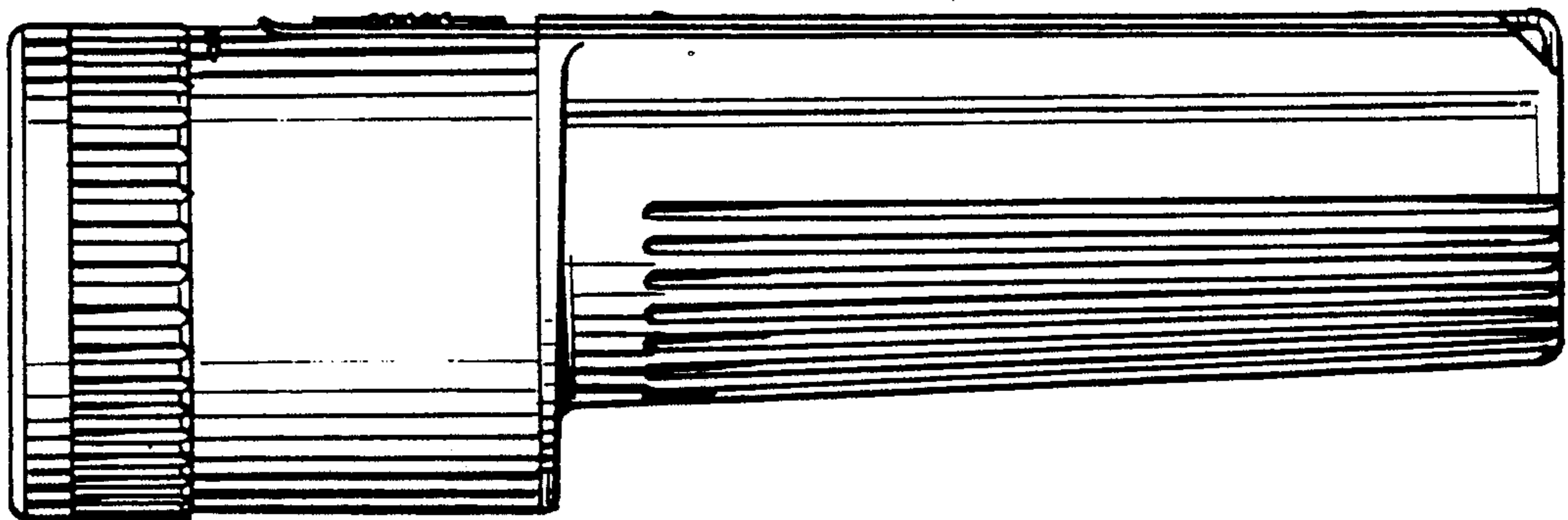


Fig. 3.

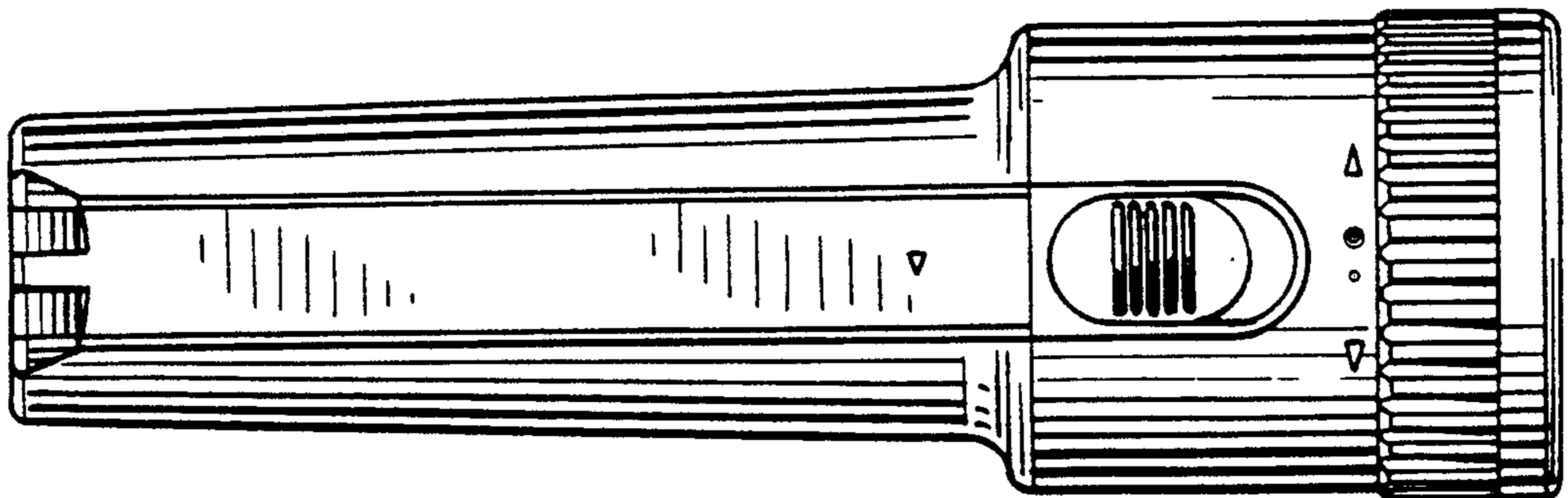


Fig. 4.

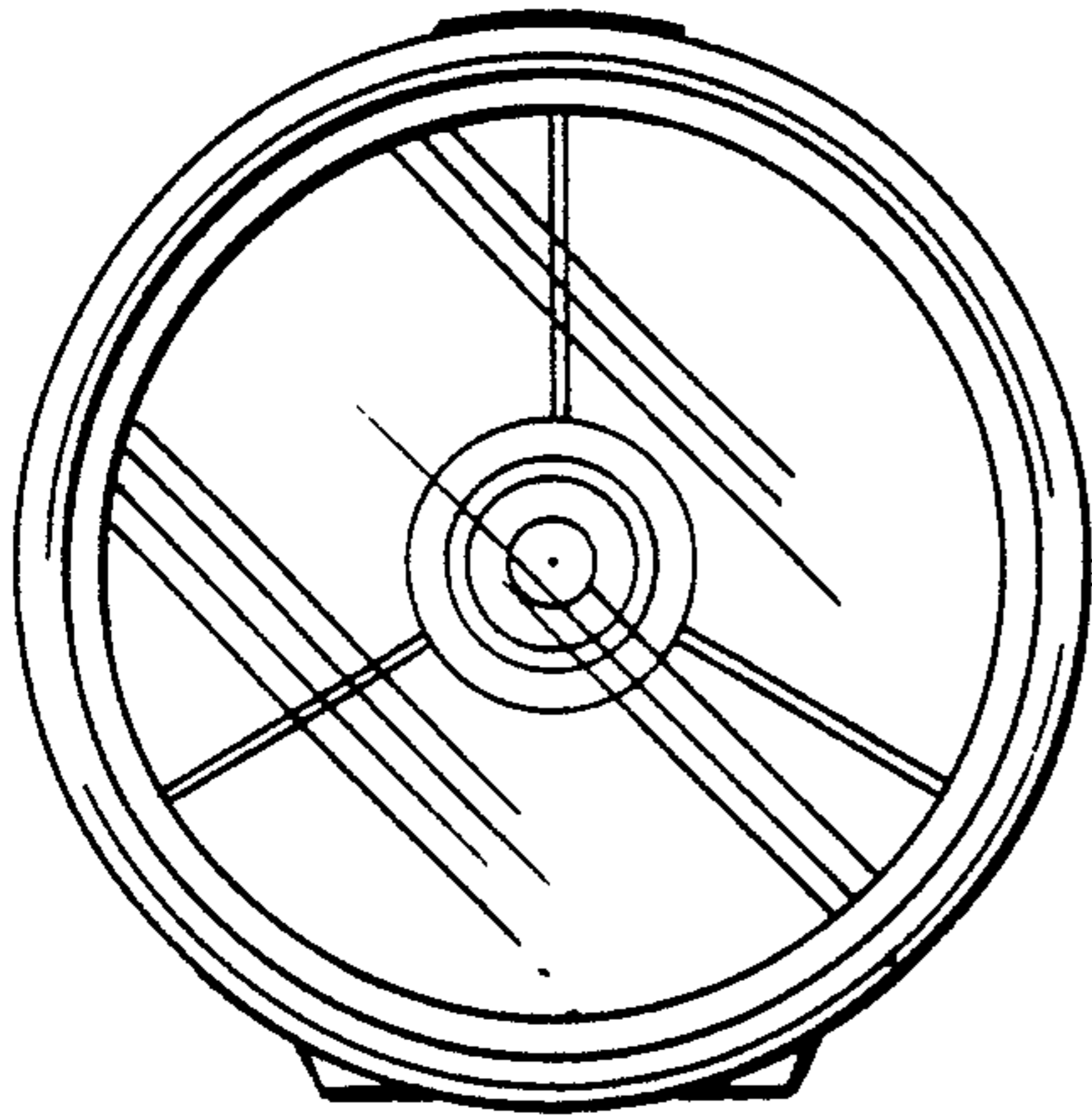


Fig. 5.

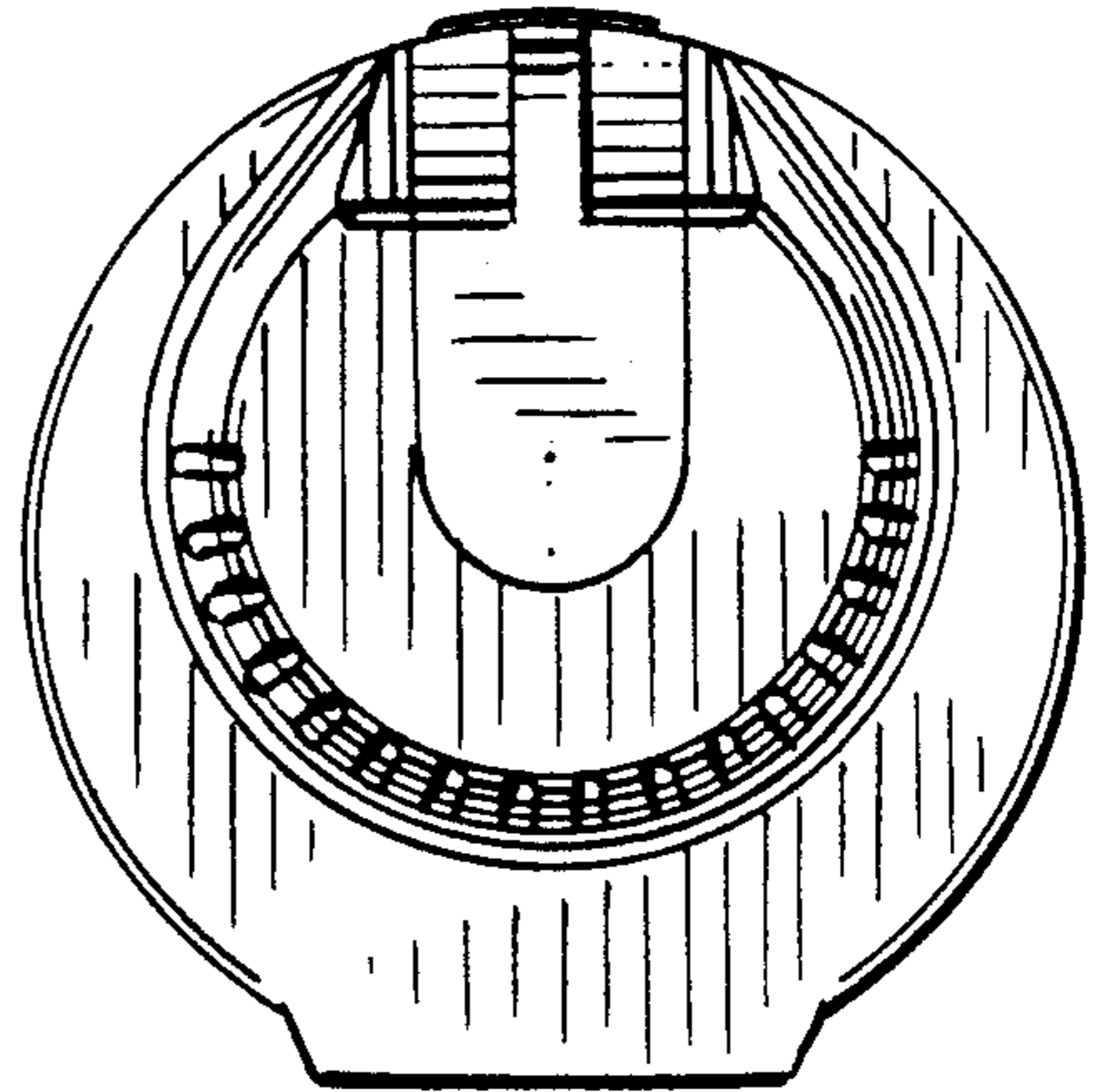


Fig. 6.

