

[54] HAND-HELD FLASHLIGHT

[75] Inventors: Tor Petterson, Palos Verdes Peninsula, Calif.; Charles F. Samson, Walpole, Mass.; David W. Schlundt, Hermosa Beach; Jean T. McGregor, Harbor City, both of Calif.

[73] Assignee: Rayovac Corporation, Madison, Wis.

[\*\*] Term: 14 Years

[21] Appl. No.: 81,885

[22] Filed: Aug. 4, 1987

[52] U.S. Cl. .... D26/46

[58] Field of Search ..... D26/37-50; 362/157-158, 183-188, 189-197, 198-208

[56] References Cited

U.S. PATENT DOCUMENTS

D. 233,469 10/1974 Moore ..... D26/49

D. 287,293 12/1986 Wang ..... D26/38  
D. 297,266 8/1988 Ingram ..... D26/46  
3,527,932 9/1970 Thomas ..... 362/186 X  
4,415,954 11/1983 Schaefer ..... 362/189 X

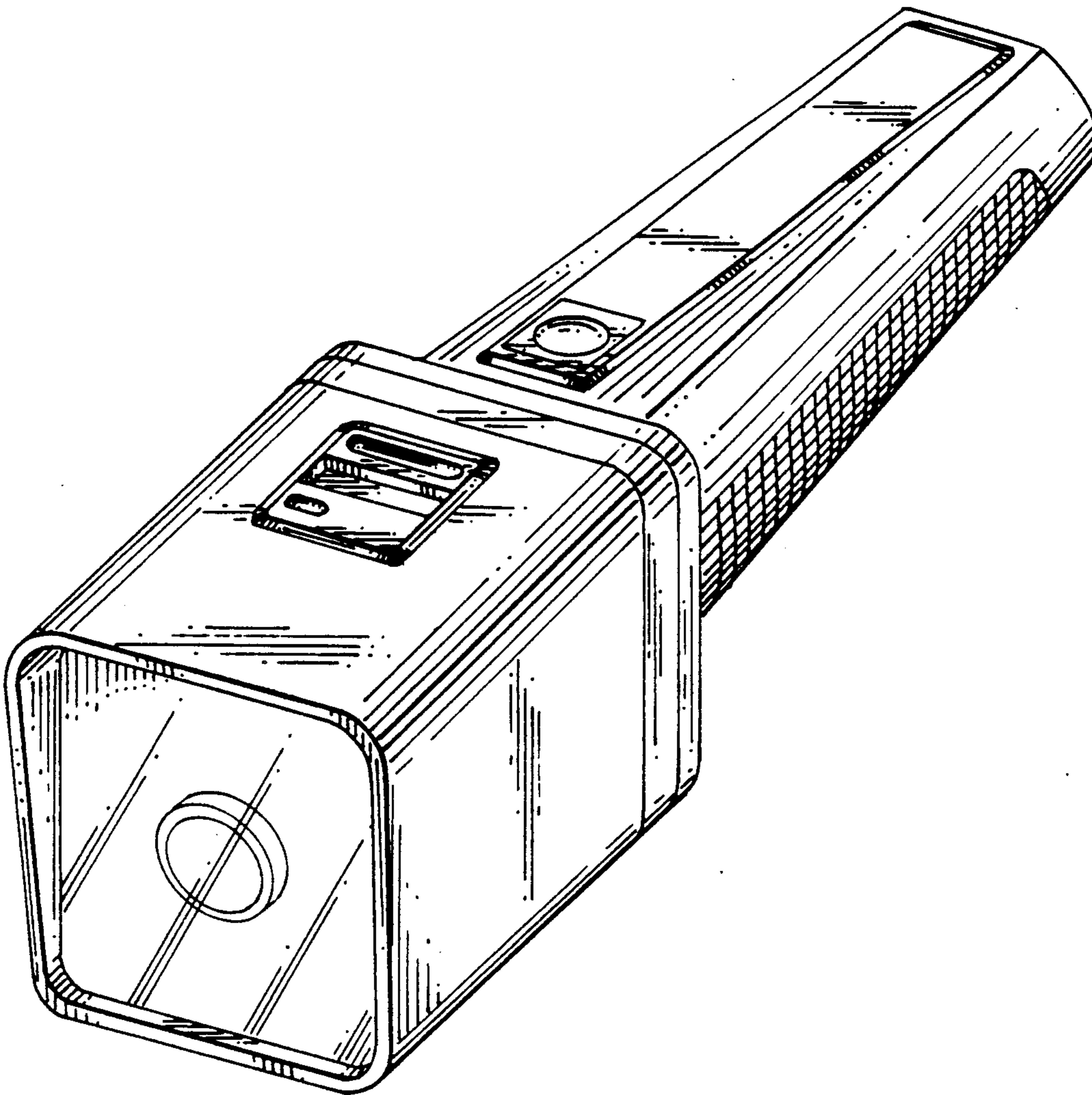
Primary Examiner—Susan J. Lucas  
Assistant Examiner—M. H. Tung  
Attorney, Agent, or Firm—Kenyon & Kenyon

[57] CLAIM

The ornamental design for a hand-held flashlight, as shown and described.

DESCRIPTION

FIG. 1 is an isometric view of a hand-held flashlight showing our new design;  
FIG. 2 is a right side elevational view thereof, the left side being a mirror image;  
FIG. 3 is a top plan view thereof;  
FIG. 4 is a front elevational view thereof;  
FIG. 5 is a rear elevational view thereof;  
FIG. 6 is a bottom plan view thereof.



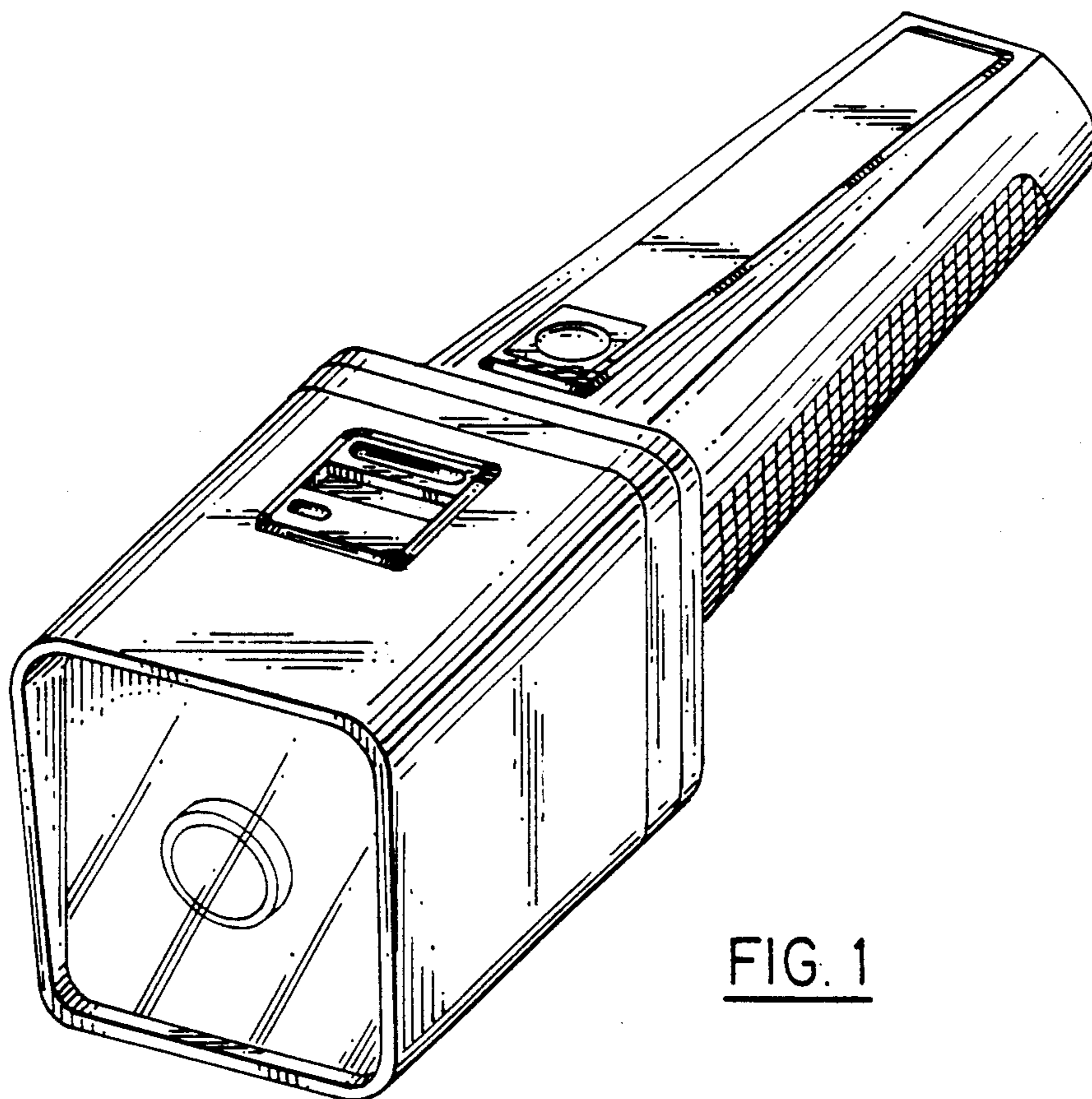


FIG. 1

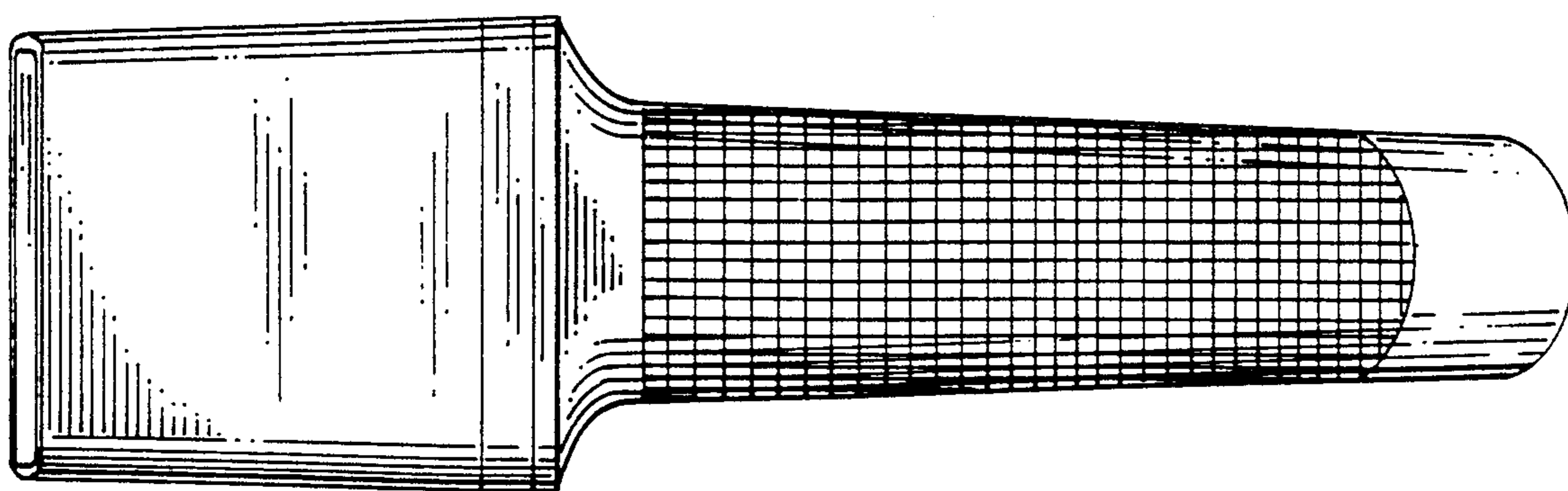


FIG. 6

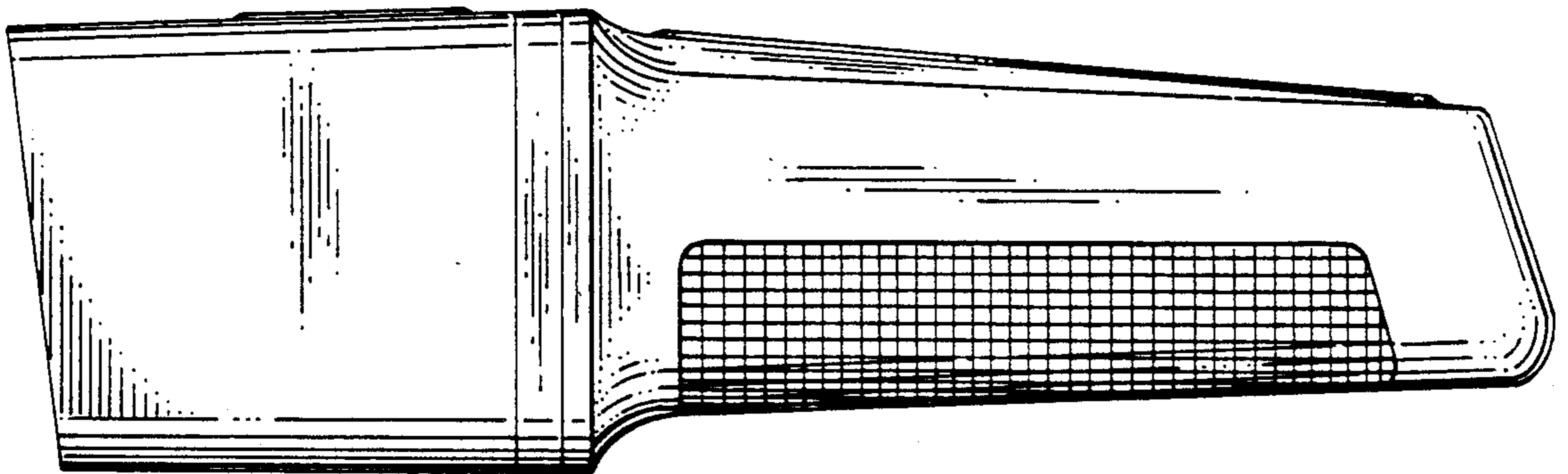


FIG. 2

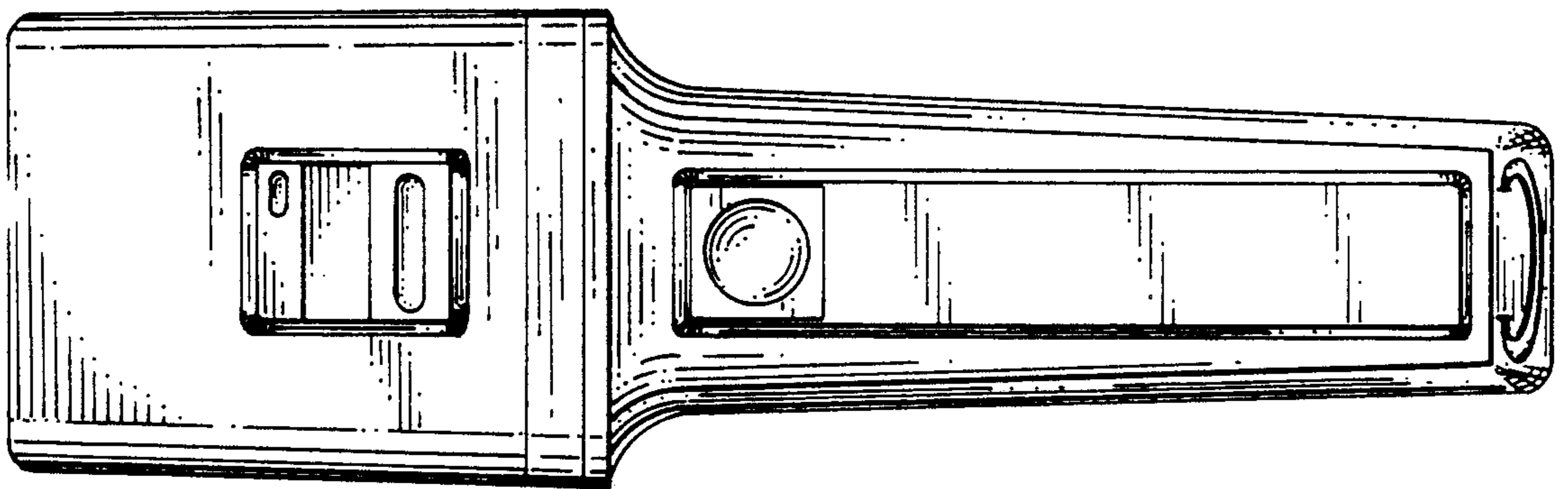


FIG. 3

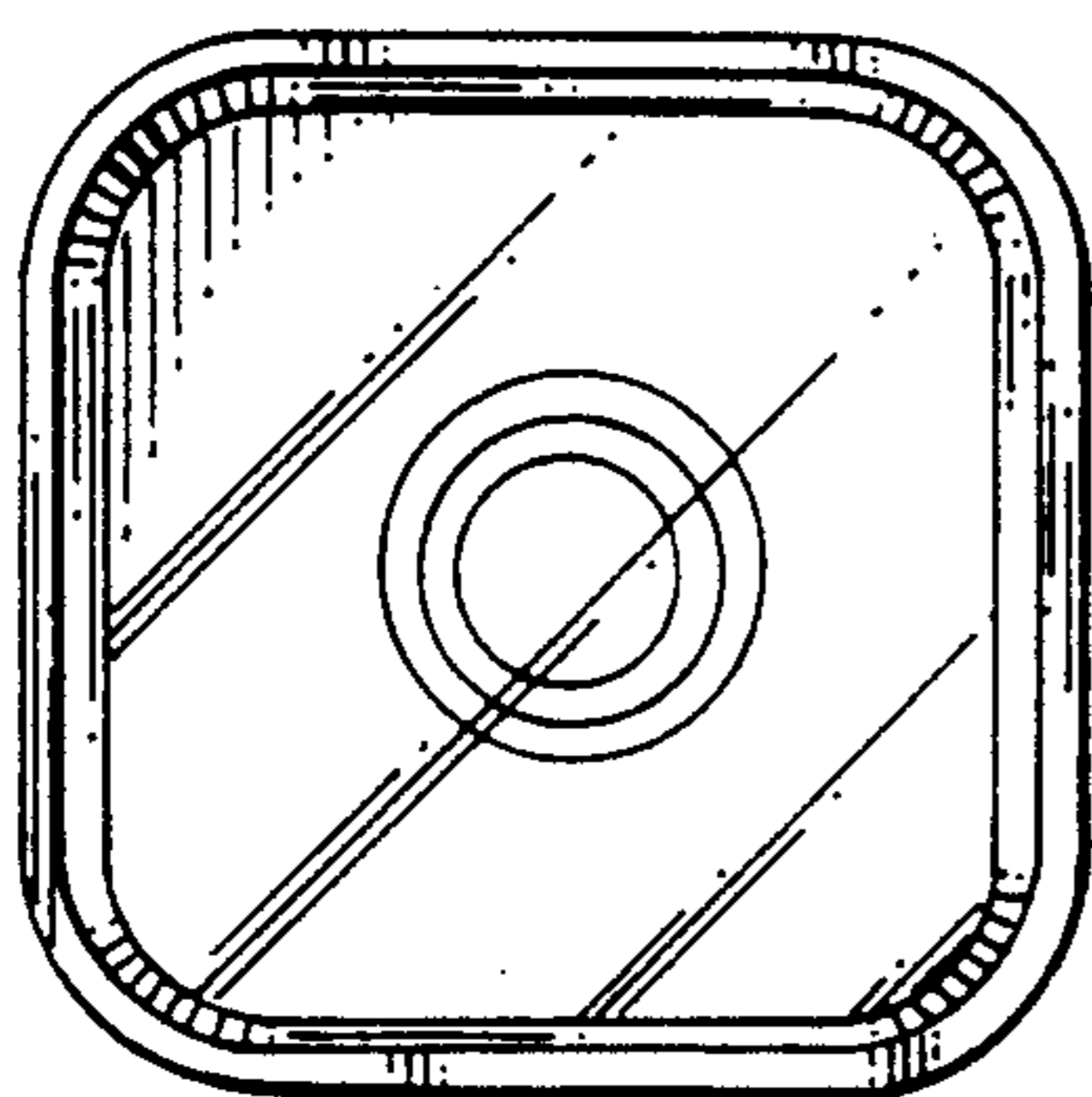


FIG. 4

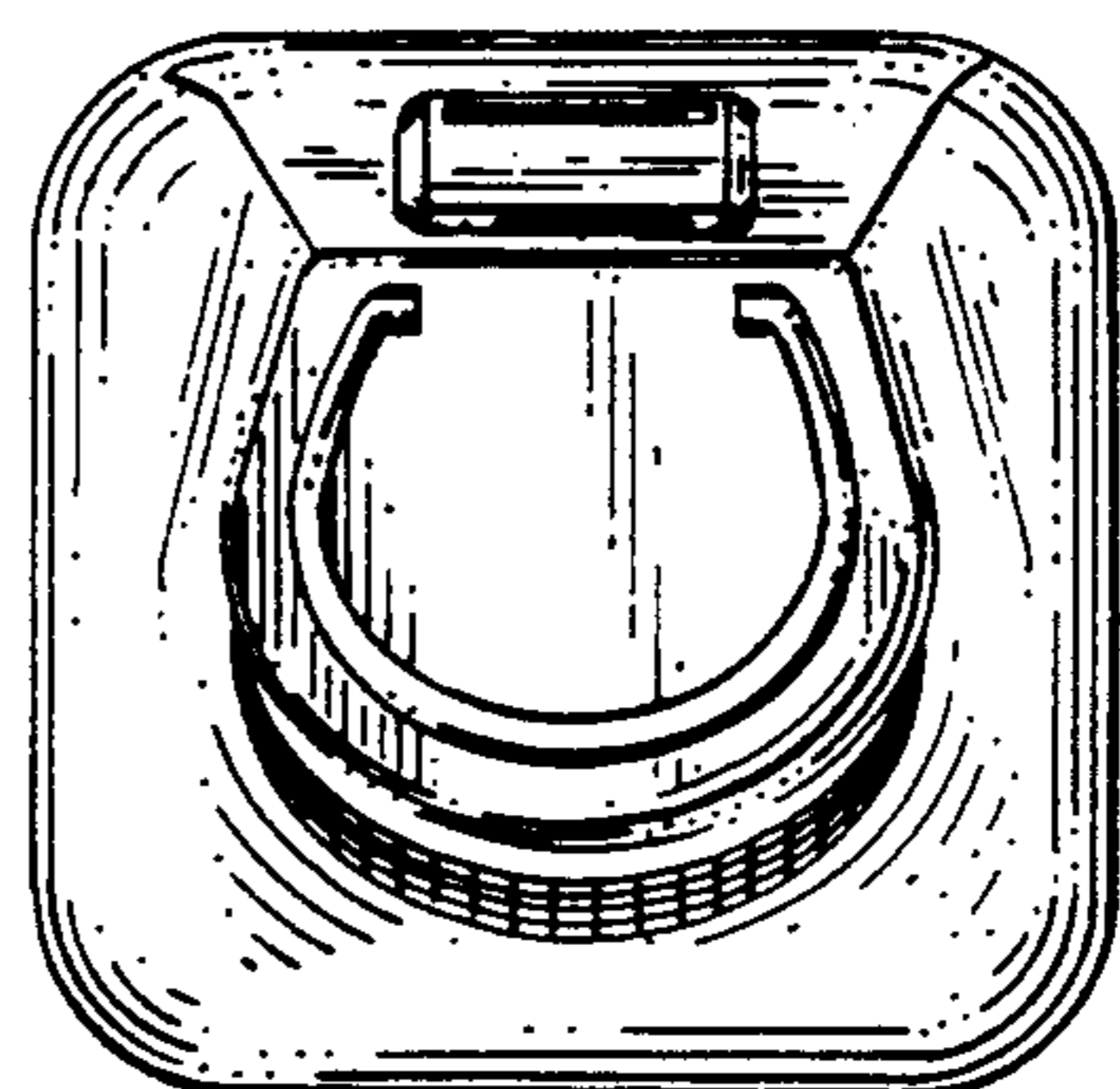


FIG. 5