

[54] COURTESY LIGHT FOR BOATS

[75] Inventor: Warwick M. Whitley, II, Panama City, Fla.
[73] Assignee: Attwood Corporation, Lowell, Mich.
[**] Term: 14 Years
[21] Appl. No.: 312,242

[22] Filed: Feb. 21, 1989
[52] U.S. Cl. D26/28
[58] Field of Search D26/28-36;
362/61, 74, 80, 80.1, 82, 83, 83.2, 83.3, 267

[56] References Cited
U.S. PATENT DOCUMENTS

D. 192,478	3/1962	Hansen et al.	D26/35
D. 300,865	4/1989	Belletire et al.	D26/28
1,776,004	9/1930	Luders	362/61
3,192,376	6/1965	Najimian, Jr.	362/61

OTHER PUBLICATIONS

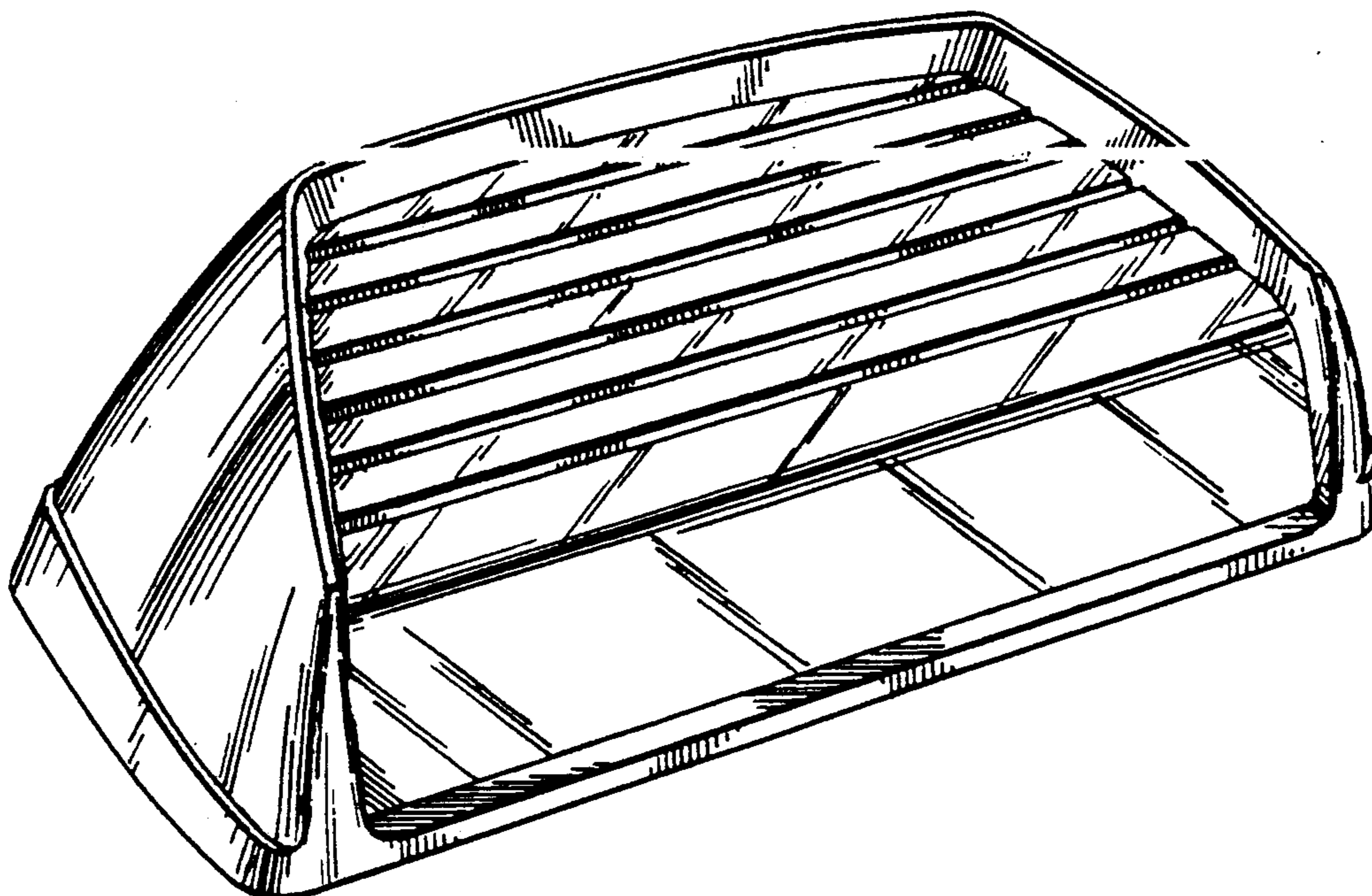
Attwood Product catalog 1983/84, p. 16.
Attwood Product catalog, 1985-1986, p. 23.
Attwood Product catalog 1987-1988, p. 32.
Primary Examiner—Susan J. Lucas
Attorney, Agent, or Firm—Price, Heneveld, Cooper, DeWitt & Litton

[57] CLAIM

The ornamental design for a courtesy light for boats, as shown and described.

DESCRIPTION

FIG. 1 is a top, perspective view of a courtesy light for boats showing my new design;
FIG. 2 is a front, elevational view thereof;
FIG. 3 is a left side, elevational view thereof, the right side, elevational view being a mirror image;
FIG. 4 is a rear, elevational view thereof;
FIG. 5 is a top, plan view thereof;
FIG. 6 is a bottom, plan view thereof; and
FIG. 7 is a cross-sectional view taken along the plane VII—VII of FIG. 2.



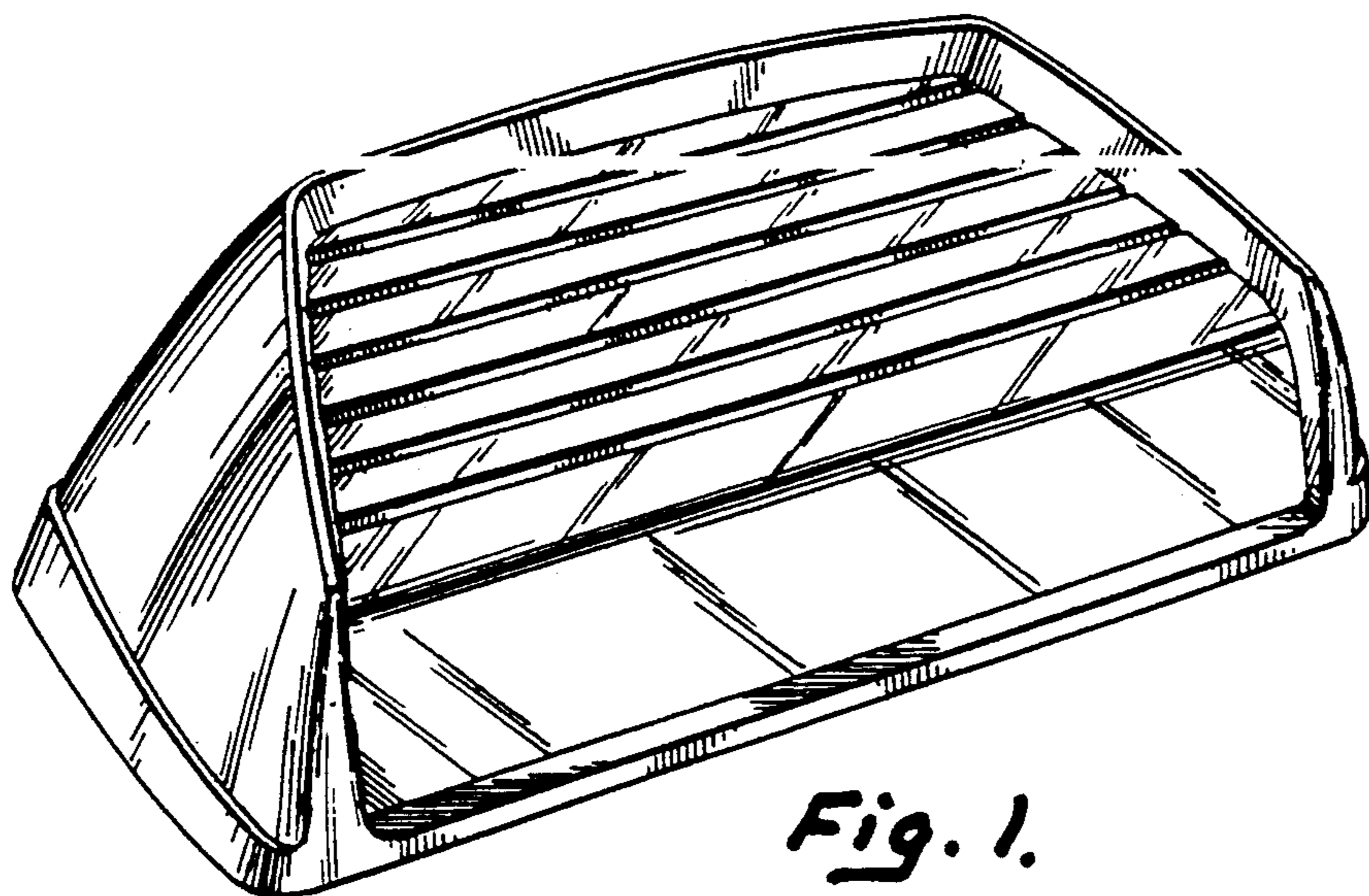


Fig. 1.

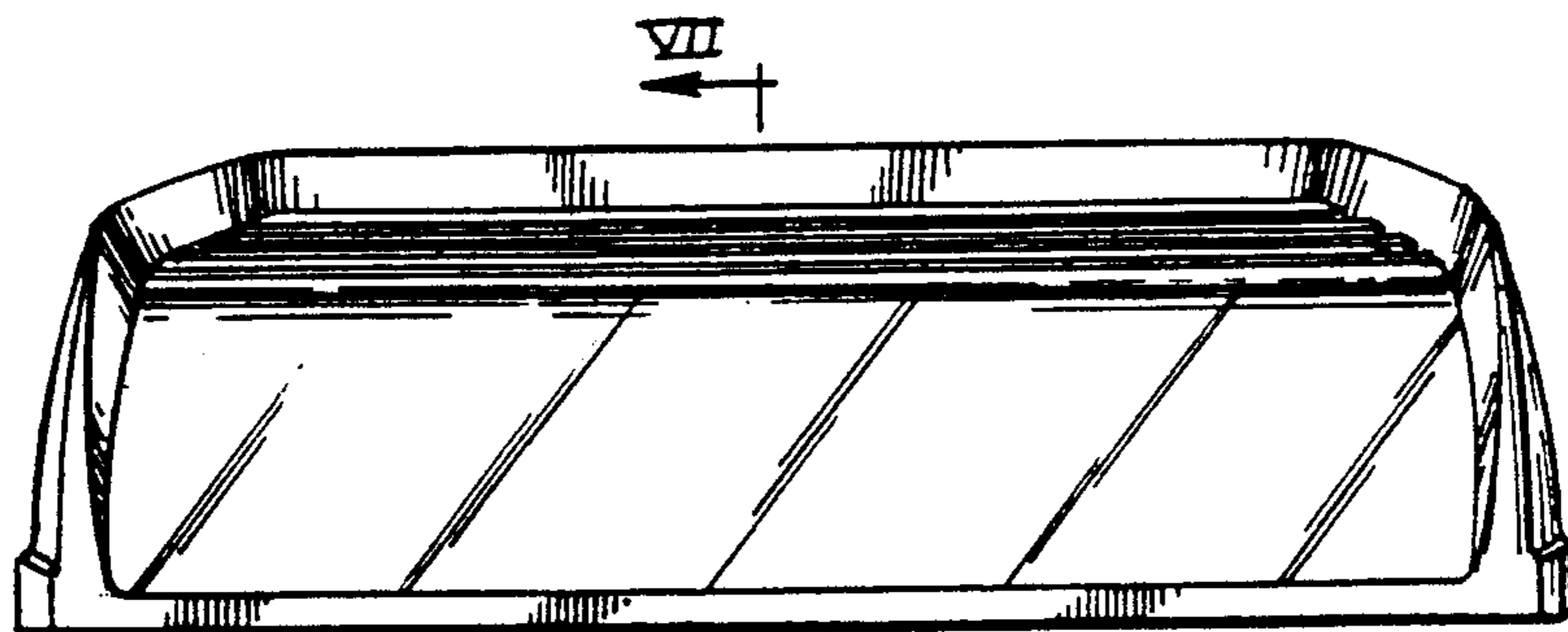


Fig. 2.

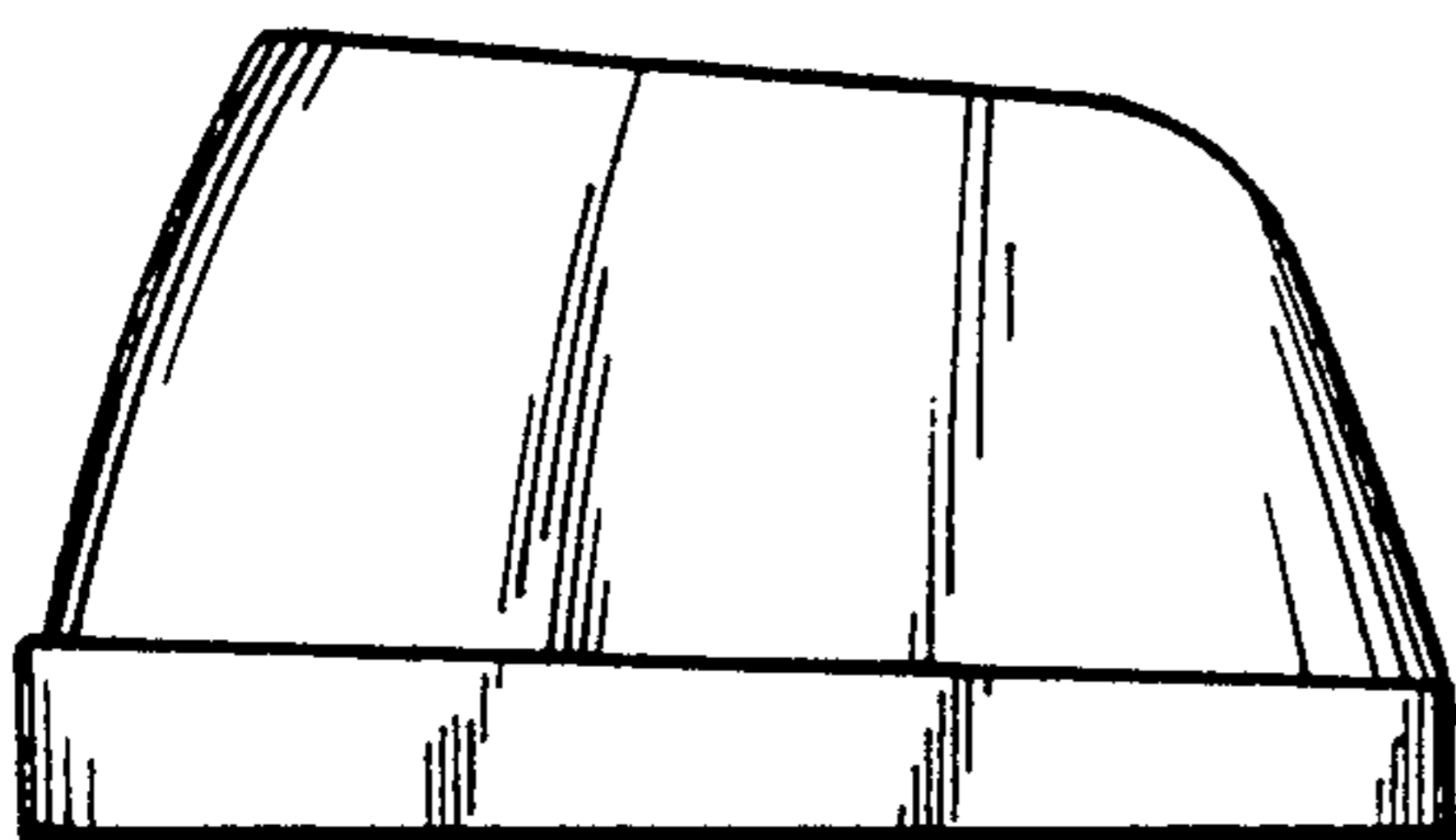


Fig. 3.

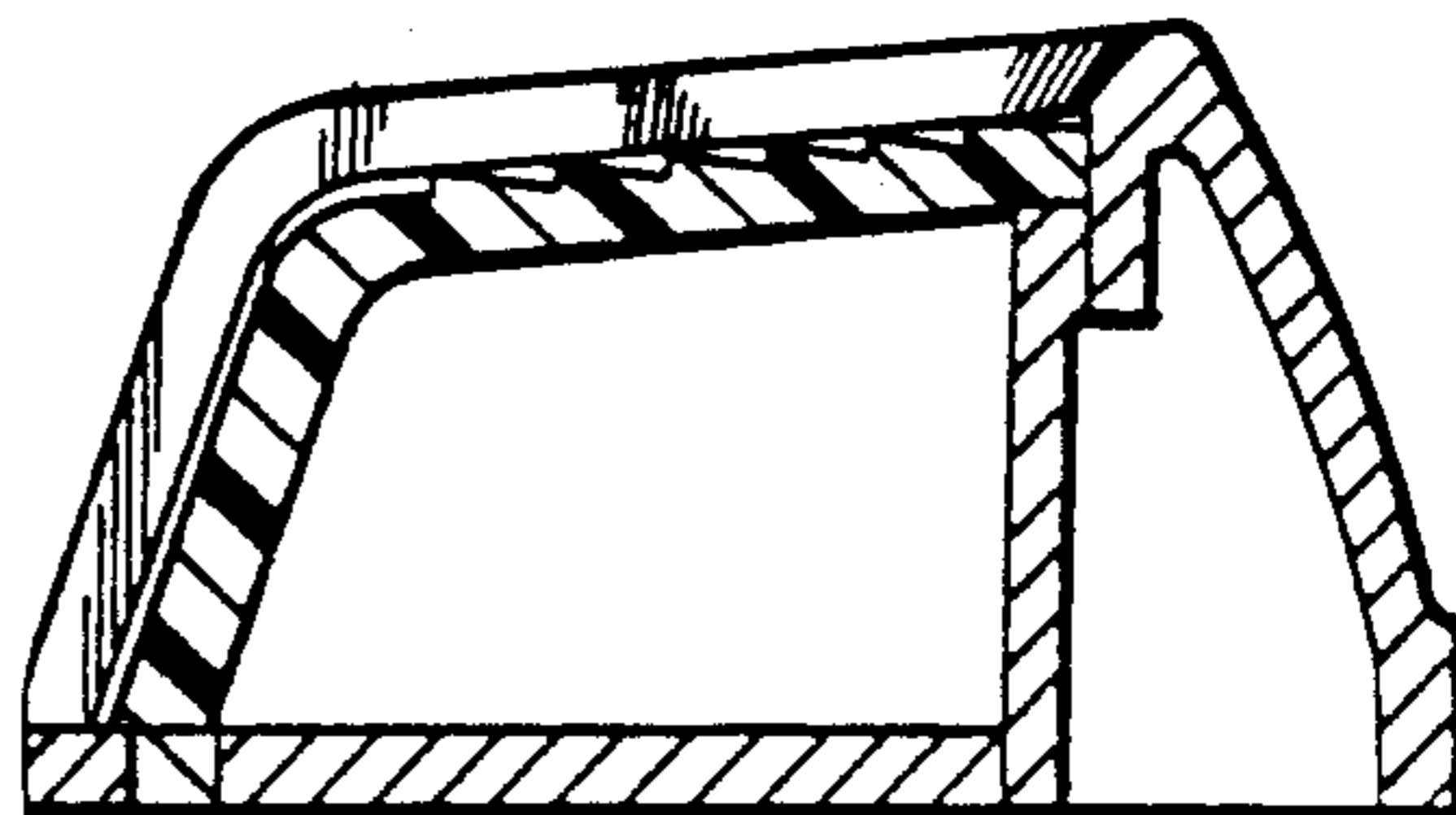


Fig. 7.

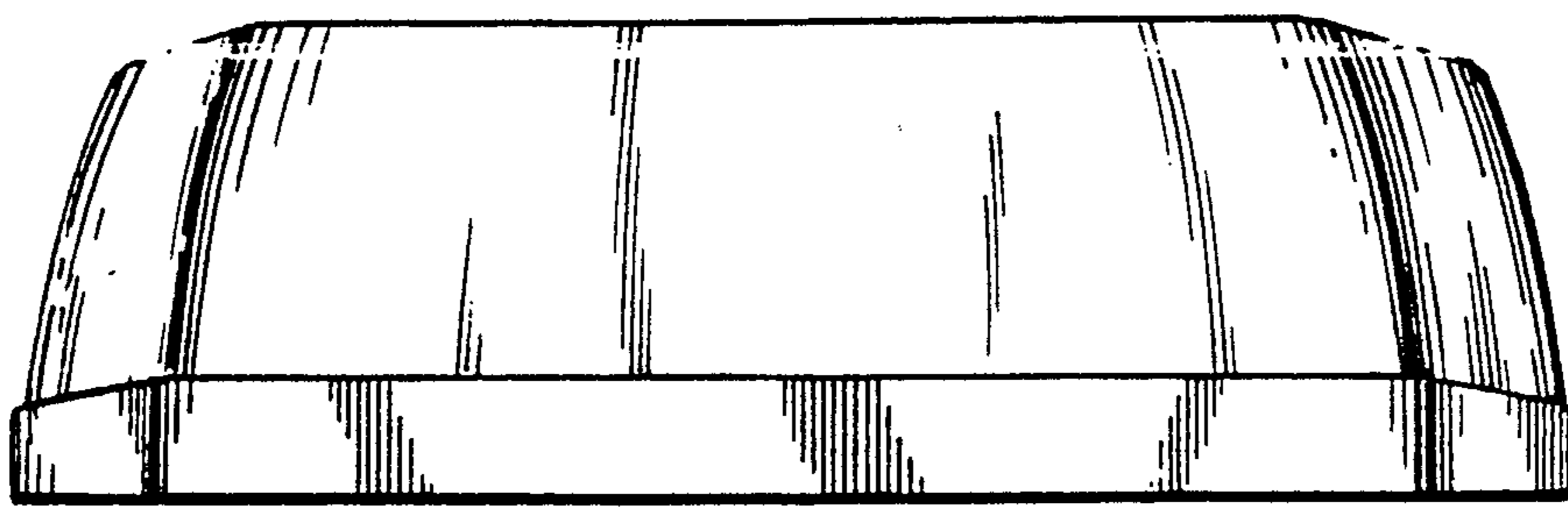


Fig. 4.

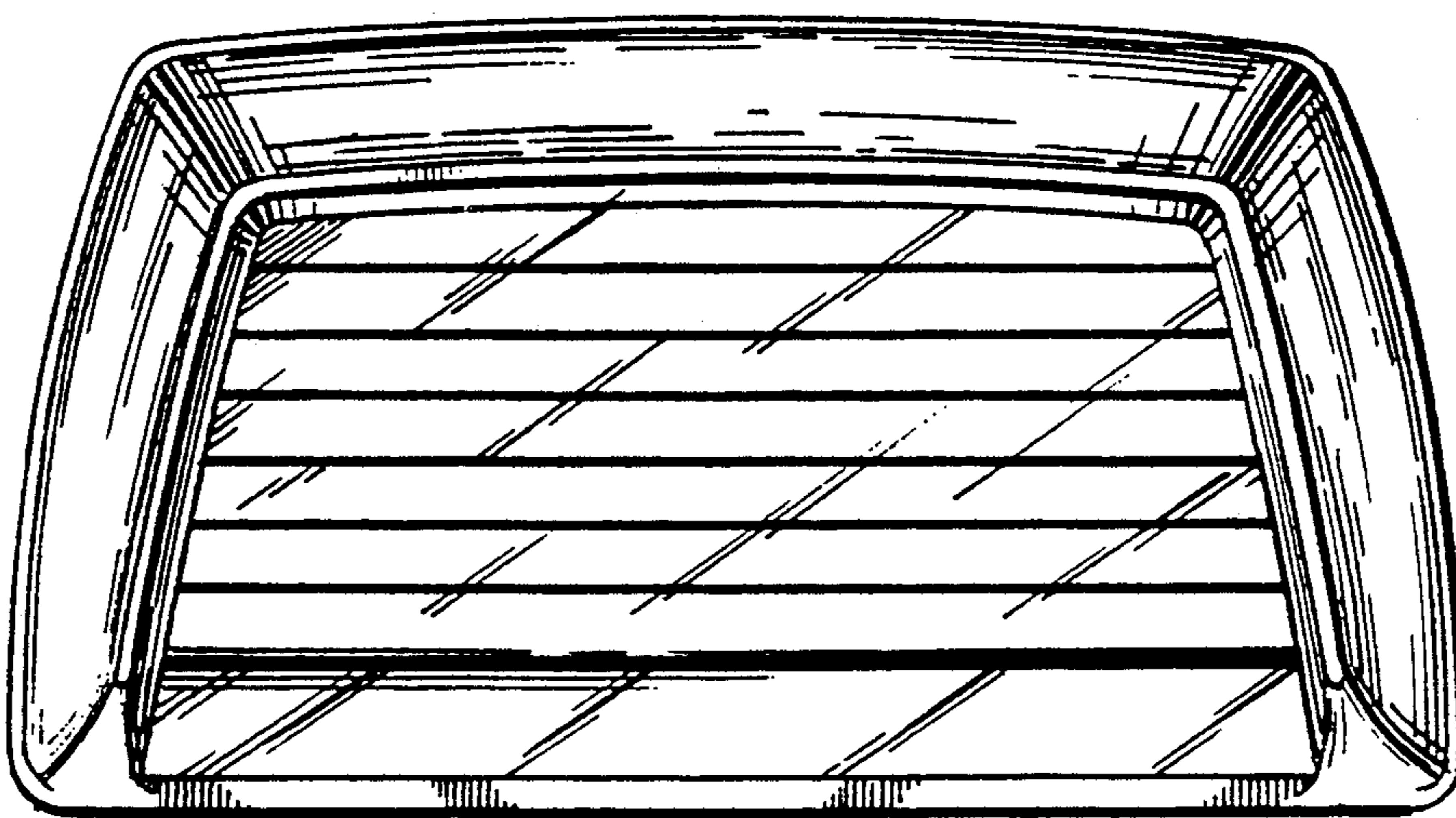


Fig. 5.

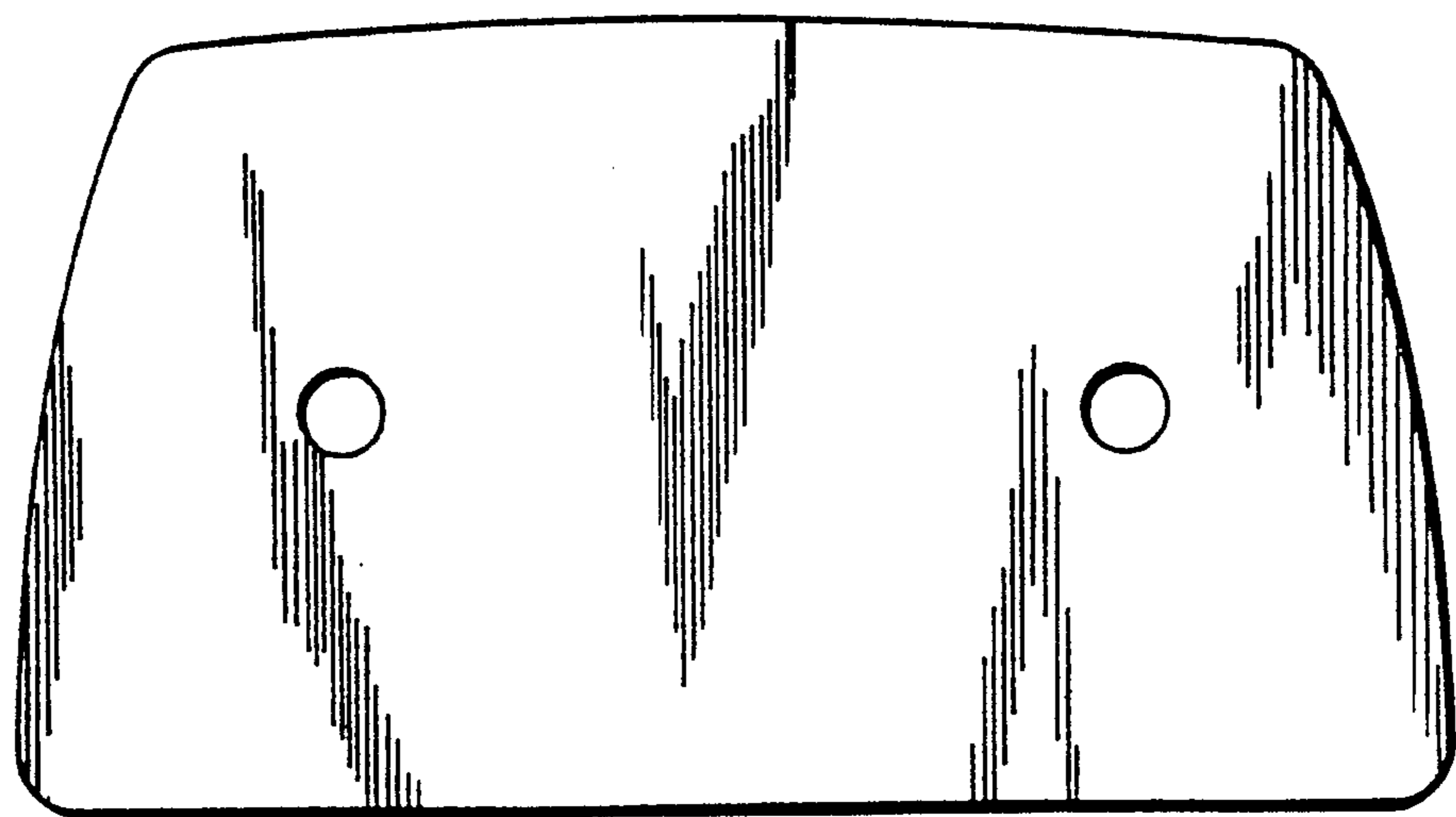


Fig. 6.