

[54] FENCE POST

[76] Inventors: Philip J. Thornton, 39 Thornley Street, Leichhardt, New South Wales, Australia, 2040; Carey Molloy, 8 Macauley Street, Bankstown, New South Wales, Australia, 2200

[**] Term: 14 Years

[21] Appl. No.: 261,463

[22] Filed: Oct. 24, 1988

[52] U.S. Cl. D25/126; D25/119

[58] Field of Search D25/38, 39, 41-51, D25/119; 52/732-735, 633-634; 256/2, 13.1, 14, 17, 19, 21, 22, 32, 34, 46, 59, DIG. 5

[56] References Cited

U.S. PATENT DOCUMENTS

192,818	7/1877	Dye	256/DIG. 5
2,284,898	6/1942	Hartman	52/732
3,958,386	5/1976	Pollock	446/122

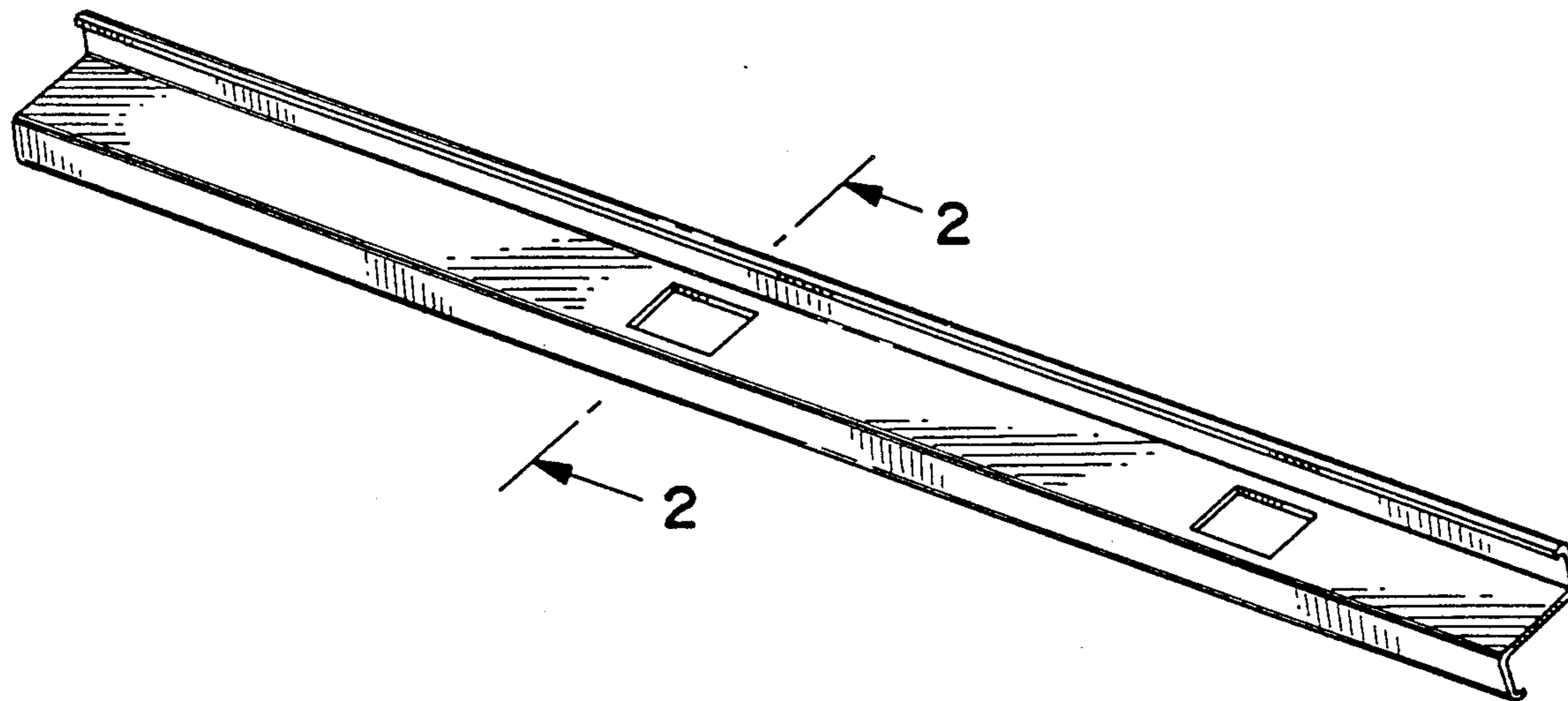
Primary Examiner—Louis S. Zarfes
Assistant Examiner—Doris Clark
Attorney, Agent, or Firm—Beveridge, DeGrandi & Weilacher

[57] CLAIM

The ornamental design for a fence post, as shown.

DESCRIPTION

FIG. 1 is a perspective view of a fence post showing our new design; and
FIG. 2 is a cross-sectional view taken along line 2—2 of FIG. 1.



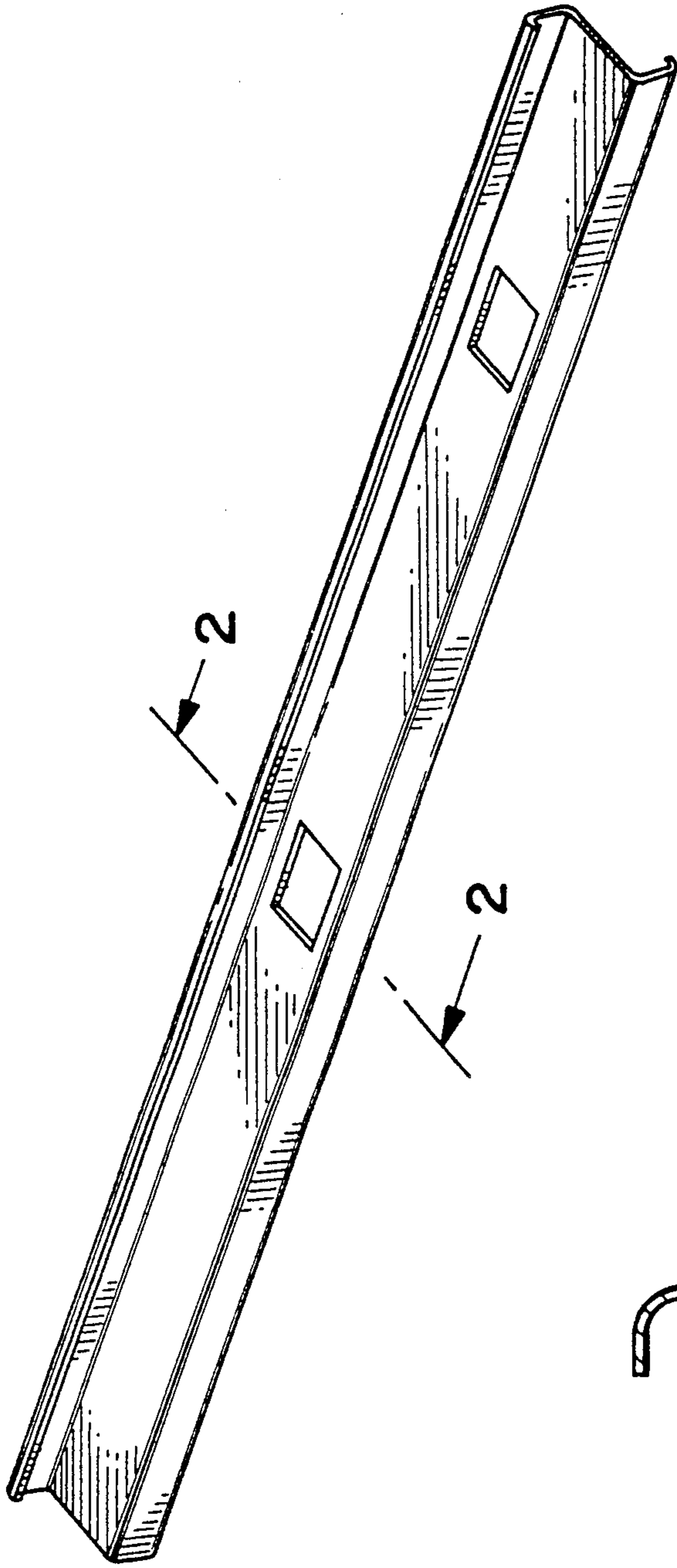


FIG. 1

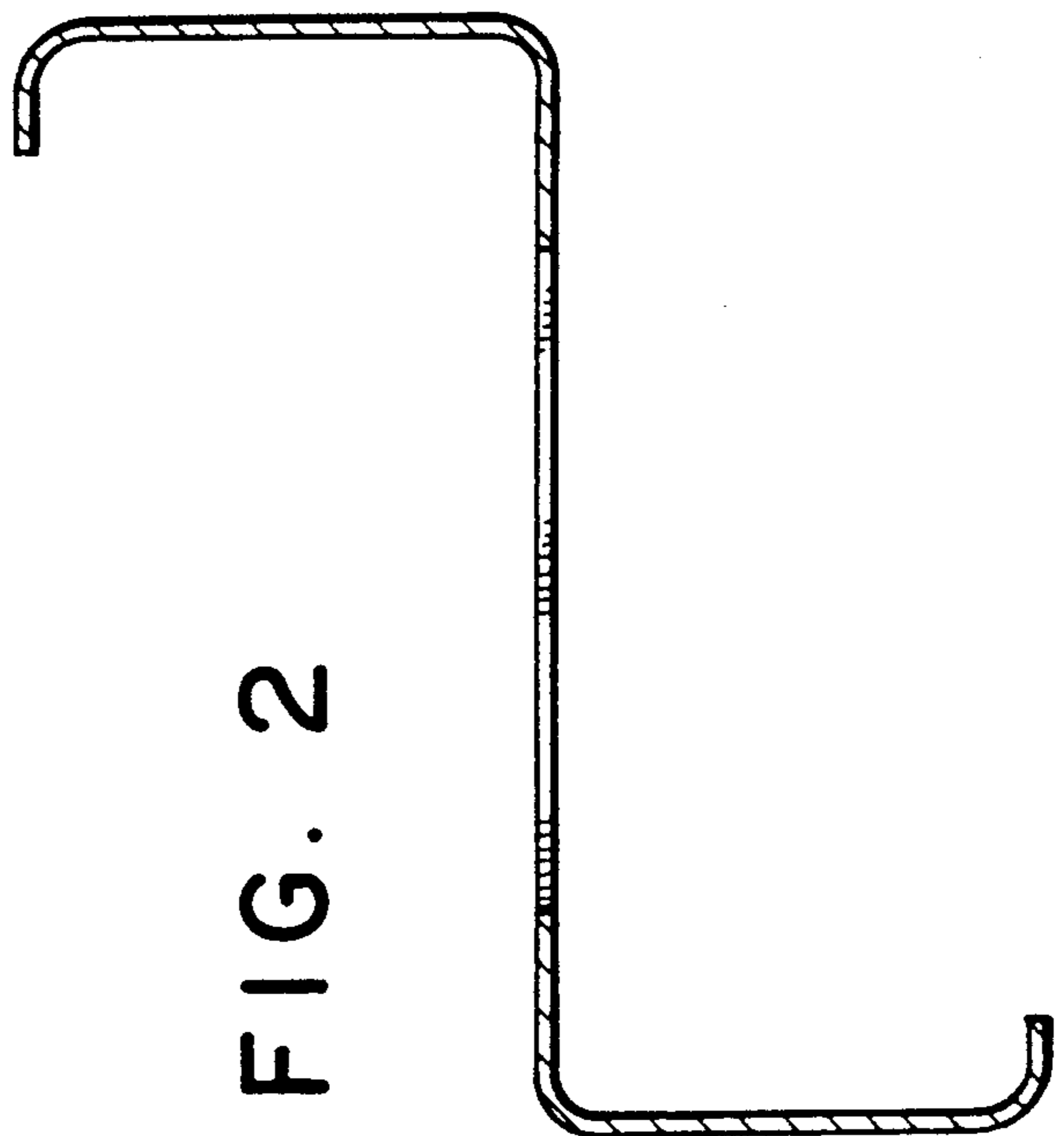


FIG. 2