

United States Patent [19]

Westphal et al.

[11] Patent Number: **Des. 315,604**

[45] Date of Patent: **** Mar. 19, 1991**

[54] WINDOW COMPONENT EXTRUSION

[75] Inventors: **Dennis Westphal, Galva; Jonathan Piles, McPherson, both of Kans.**

[73] Assignee: **CertainTeed Corporation, Valley Forge, Pa.**

[**] Term: **14 Years**

[21] Appl. No.: **406,084**

[22] Filed: **Sep. 12, 1989**

[52] U.S. Cl. **D25/119**

[58] Field of Search **D25/47, 52, 60, 119, D25/121, 122, 124; 49/501, 502, 504, 475, DIG. 1, DIG. 2; 52/730, 731, 732, 738**

[56] **References Cited**

U.S. PATENT DOCUMENTS

3,055,468 9/1962 Horejs et al. 52/732

3,118,188 1/1964 Dulebohn et al. 52/732
3,460,306 8/1969 Schmidlin 52/732
4,214,415 7/1980 Sukolics 52/732

OTHER PUBLICATIONS

Van Huffel Tube Corporation ©1953, p. 28, top right of page item No. 2397/0.035.

Primary Examiner—A. Hugo Word
Assistant Examiner—Doris Clark
Attorney, Agent, or Firm—Paul & Paul

[57] **CLAIM**

The ornamental design for a window component extrusion, as shown and described.

DESCRIPTION

FIG. 1 is a top perspective view of a window component extrusion showing our new design.

FIG. 2 is a bottom perspective view thereof.

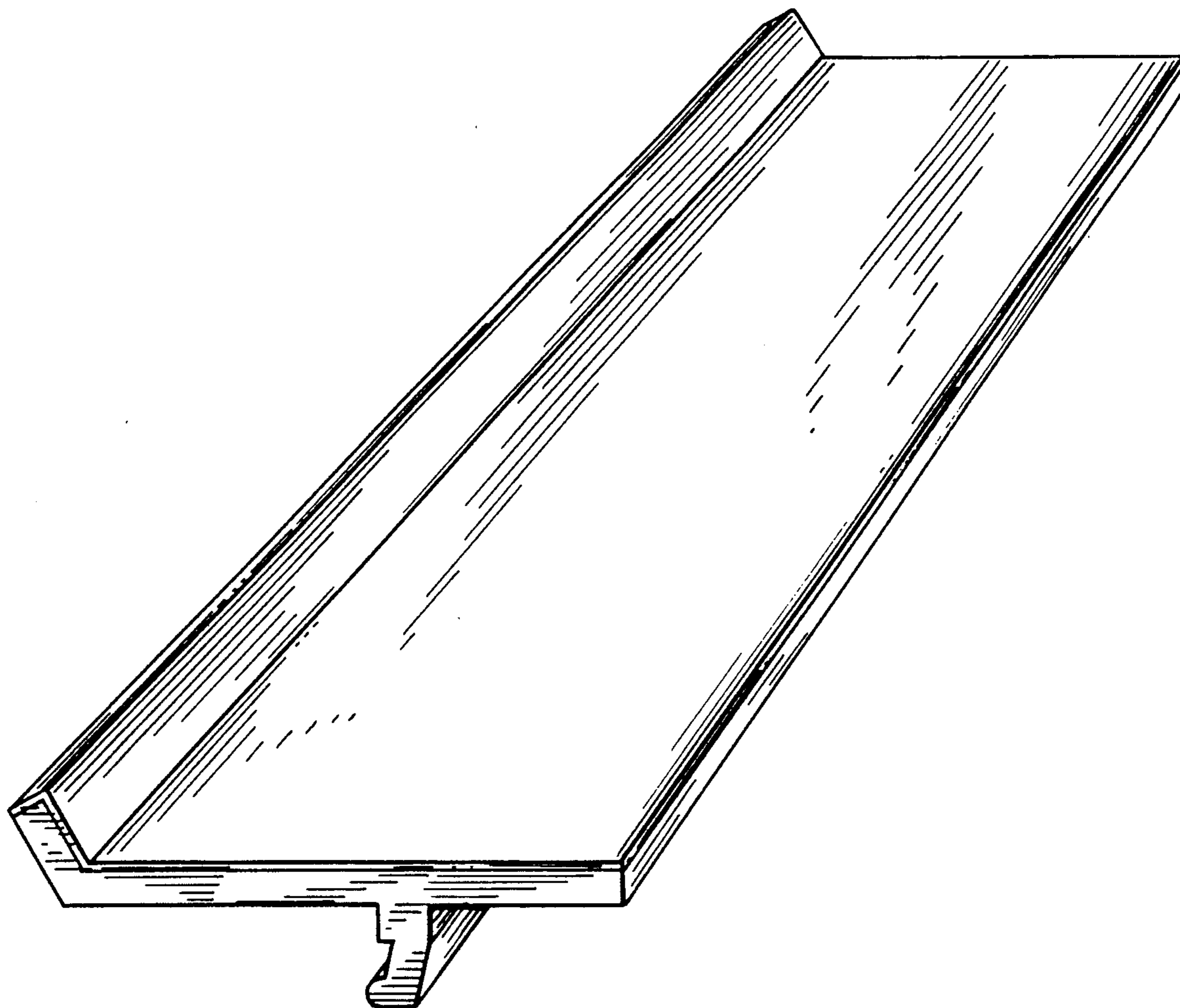


Fig. 1

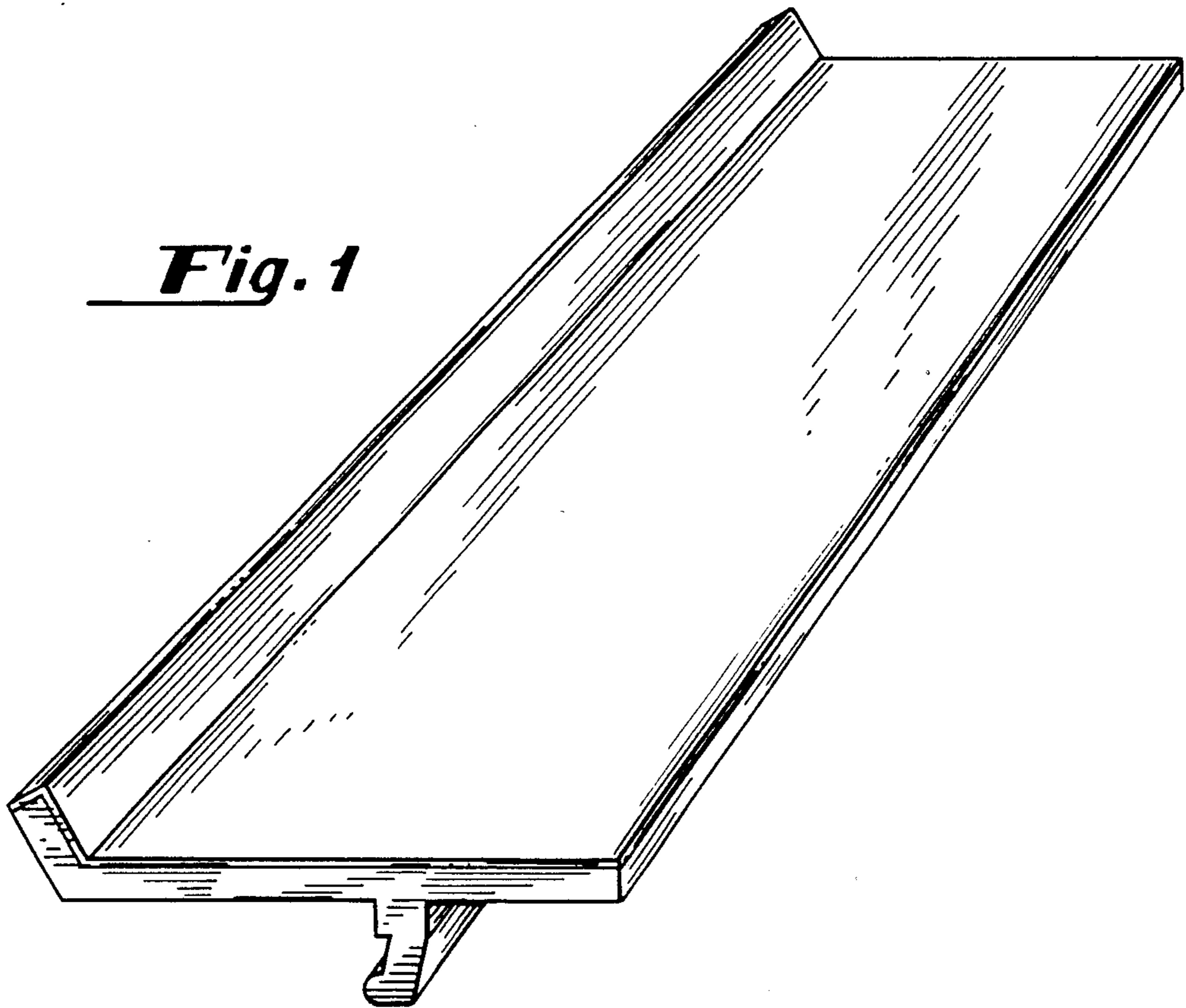


Fig. 2

