

[54] **COMBINED NEBULIZER HEAD AND ADAPTER**
 [75] Inventor: **Blair E. Howe**, Rancho Santa Margarita, Calif.
 [73] Assignee: **Cimco, Inc.**, Costa Mesa, Calif.
 [**] Term: **14 Years**
 [21] Appl. No.: **185,804**
 [22] Filed: **Apr. 25, 1988**
 [52] U.S. Cl. **D24/62**
 [58] Field of Search **D24/62; 128/200.18, 128/200.13, 200.11, 200.21**

4,595,002 6/1986 Michaels et al. 128/200.21
 4,767,576 8/1988 Bagwell 128/200.18 X

OTHER PUBLICATIONS

Brochure: "Misty-Ox ®" Prefilled Disposable Humidifier of Medical Molding Corporation of America.

Primary Examiner—A. Hugo Word
Assistant Examiner—Stella M. Reid
Attorney, Agent, or Firm—Poms, Smith, Lande & Rose

CLAIM

[57] The ornamental design for a combined nebulizer head and adapter, as shown and described.

DESCRIPTION

FIG. 1 is a top, rear perspective view of a combined nebulizer head and adapter, showing my new design; FIG. 2 is a bottom, front, right perspective view thereof; FIG. 3 is a top plan view thereof; FIG. 4 is a left side elevational view thereof; FIG. 5 is a front elevational view thereof; and FIG. 6 is a bottom plan view thereof. The broken away showing of the tube portion in FIGS. 4 and 5 is for ease of illustration.

[56] **References Cited**
U.S. PATENT DOCUMENTS

234,641	3/1975	King et al.	D83/1 N
D. 244,057	4/1977	Aul et al.	D24/62
263,337	3/1982	Hart et al.	D24/62
2,882,026	4/1959	Eichelman	261/2
3,353,536	11/1967	Bird et al.	128/194
3,572,660	3/1971	Manon	128/200.18 X
3,836,079	9/1974	Huston	239/74
4,009,713	3/1977	Simmons et al.	128/193
4,190,046	2/1980	Virag	128/200.21

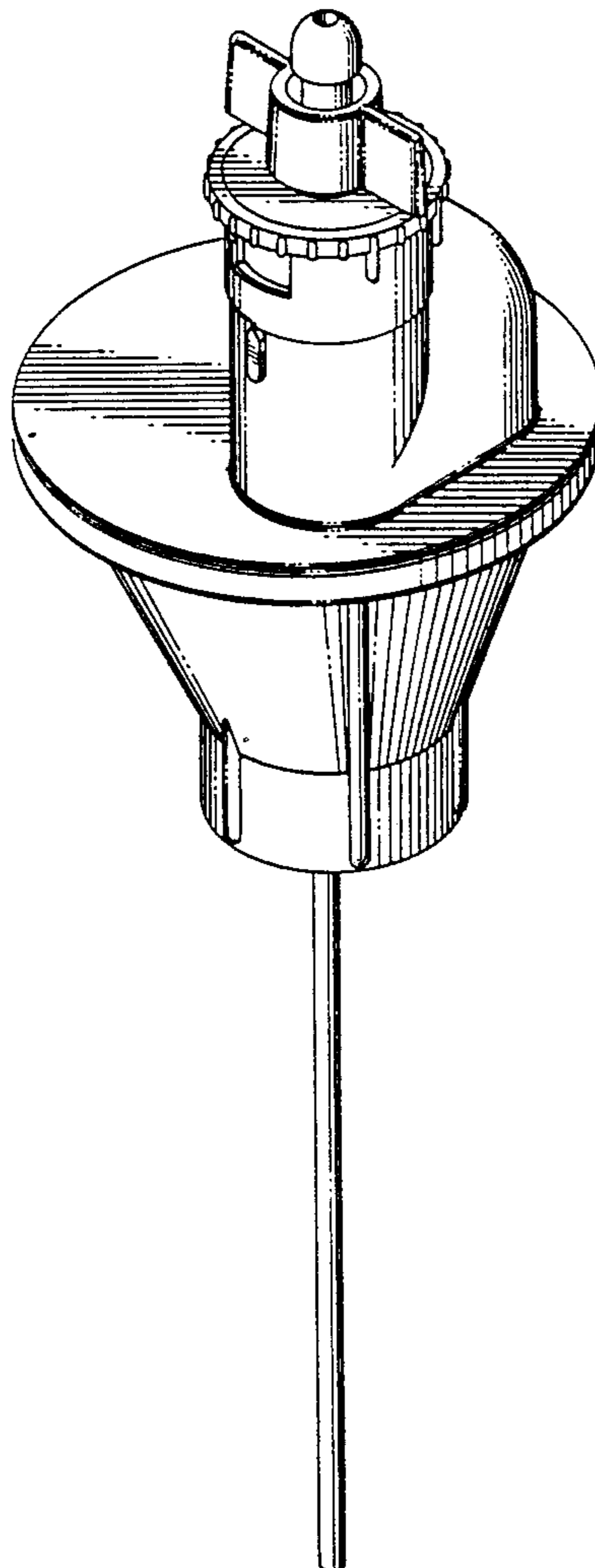


FIG. 1.

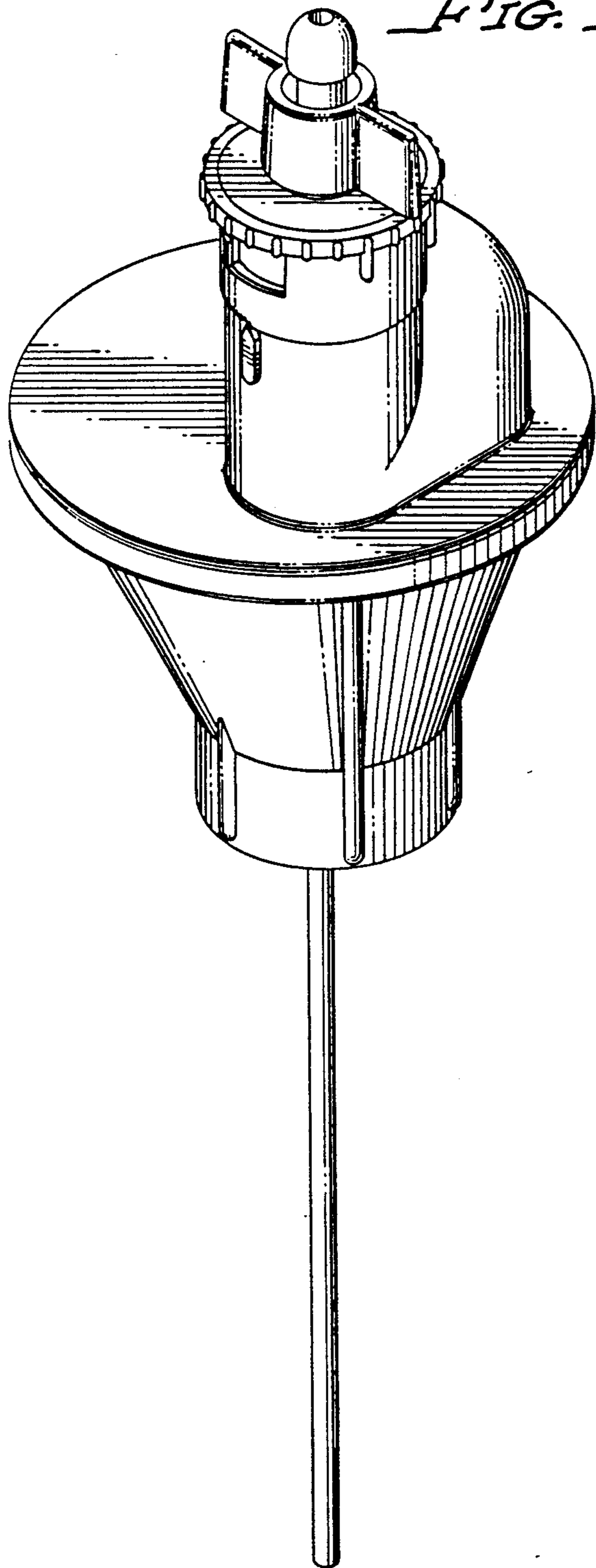


FIG. 2.

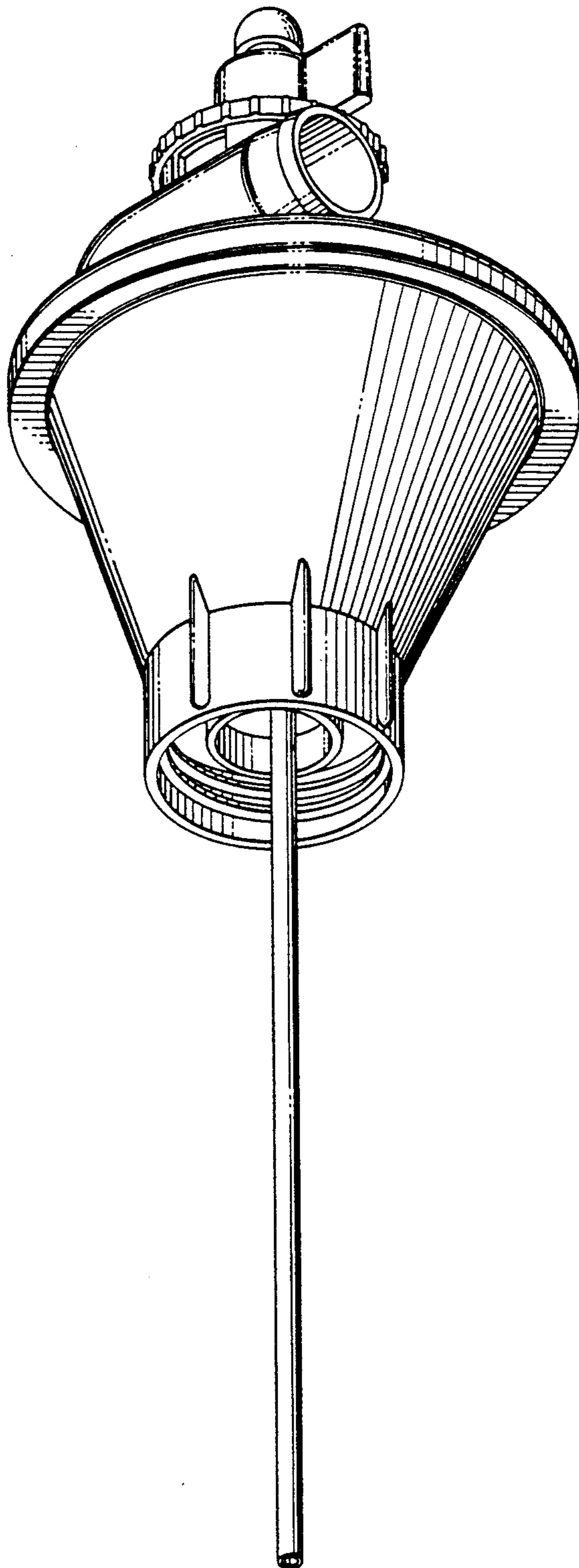


FIG. 3.

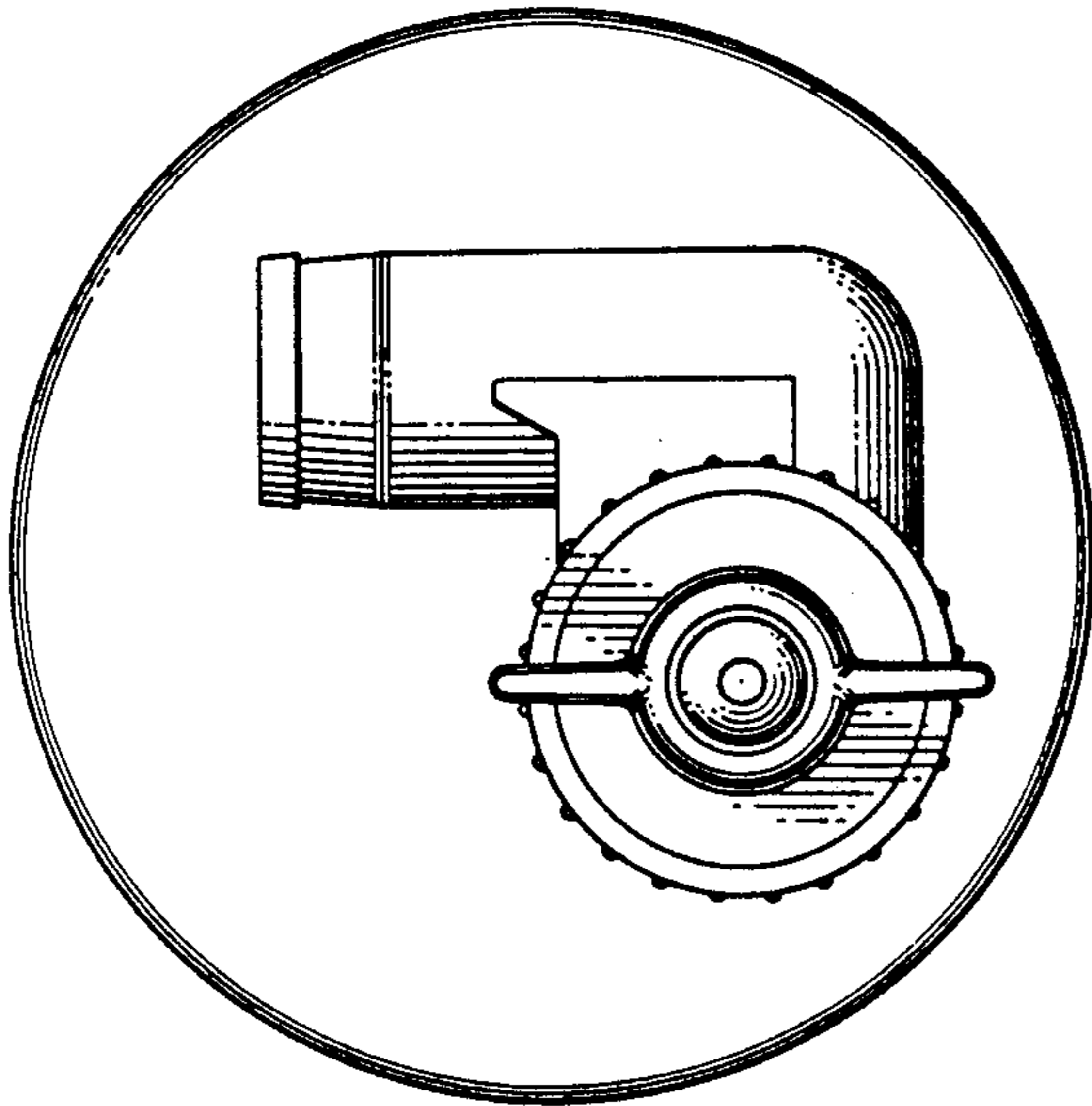


FIG. 5.

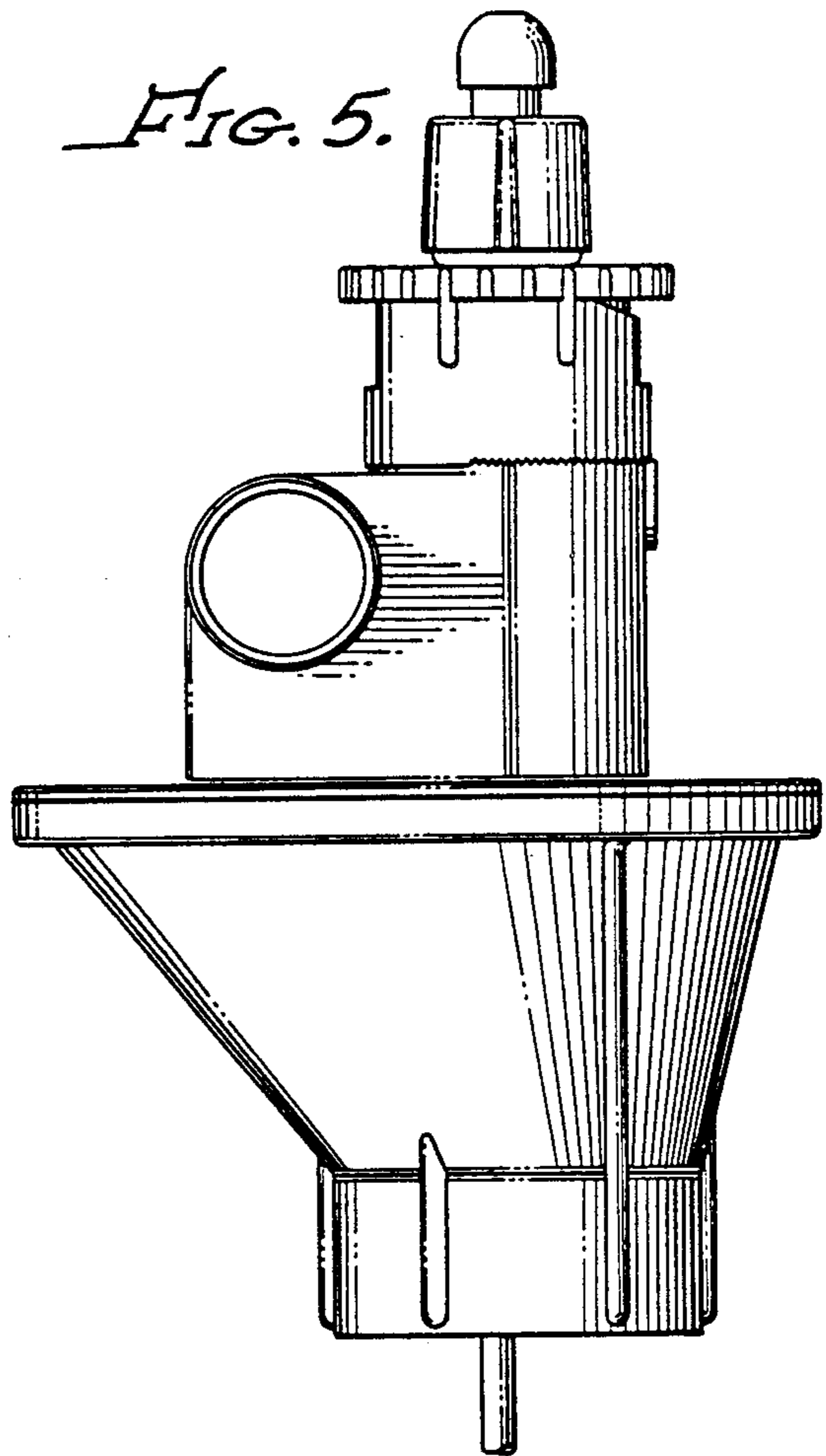


FIG. 4.

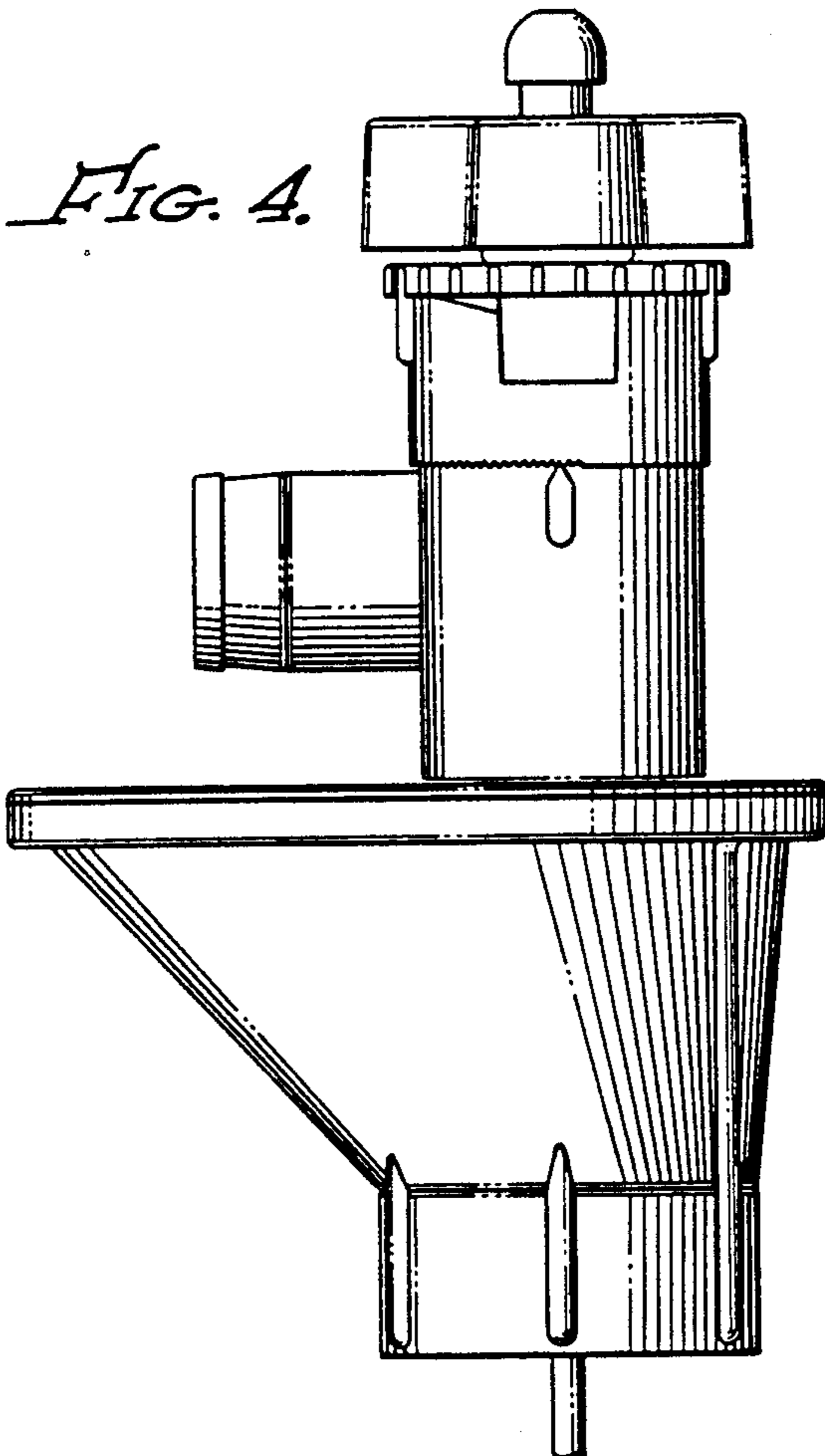


FIG. 6.

