

[54] **CEILING FAN SHROUD**

[76] **Inventor:** James R. Freeman, Rte. 3, Box 9,
Jacksonville, Ark. 72076
[**] **Term:** 14 Years
[21] **Appl. No.:** 472,482
[22] **Filed:** Jan. 30, 1990

Related U.S. Application Data

[62] Division of Ser. No. 78,271, Jul. 27, 1987.
[52] **U.S. Cl.** D23/411; D26/134
[58] **Field of Search** D23/411, 412, 413, 385,
D23/314, 370, 377, 379; 361/383, 384; 416/235,
247 R, 231 B; 415/121.2, 213.1; 362/405, 96,
373, 351, 355, 361; D26/128, 129, 130, 131, 134

[56] **References Cited**

U.S. PATENT DOCUMENTS

D. 133,120	7/1942	Spear	D23/377
985,929	3/1911	Person et al.	D26/130
1,747,627	2/1930	Guth	416/247
2,100,994	11/1937	Cohen	416/247

FOREIGN PATENT DOCUMENTS

319788 4/1920 Fed. Rep. of Germany 362/361

OTHER PUBLICATIONS

Thomas' Ceiling Lamp cat. ©1979, p. 77, Tiffany Lamps M-2520-37, M-2520-38, and M-2537-37, top left, top right, and middle right sides of page respectively.
J. C. Oriental Manufacturing Co. Ceiling Fan cat. p. 1, Ceiling Fan Shrouds on Mark I Models JCSAX-52 WH, JCSA-WH, JCSAX-52CH, top, left and right bottom sides of page, respectively.
Primary Examiner—James M. Gandy
Assistant Examiner—Lisa Lichtenstein
Attorney, Agent, or Firm—Stephen D. Carver

[57] **CLAIM**

The ornamental design for a ceiling fan shroud, as shown and described.

DESCRIPTION

FIG. 1 is a top front perspective view of a ceiling fan shroud showing my new design;
FIG. 2 is a bottom perspective view thereof;
FIG. 3 is an enlarged top perspective view thereof;
FIG. 4 is a greatly enlarged side elevational view thereof, the opposite side being a mirror image of that shown;
FIG. 5 is a greatly enlarged bottom plan view thereof;
and,
FIG. 6 is a greatly enlarged top plan view thereof.

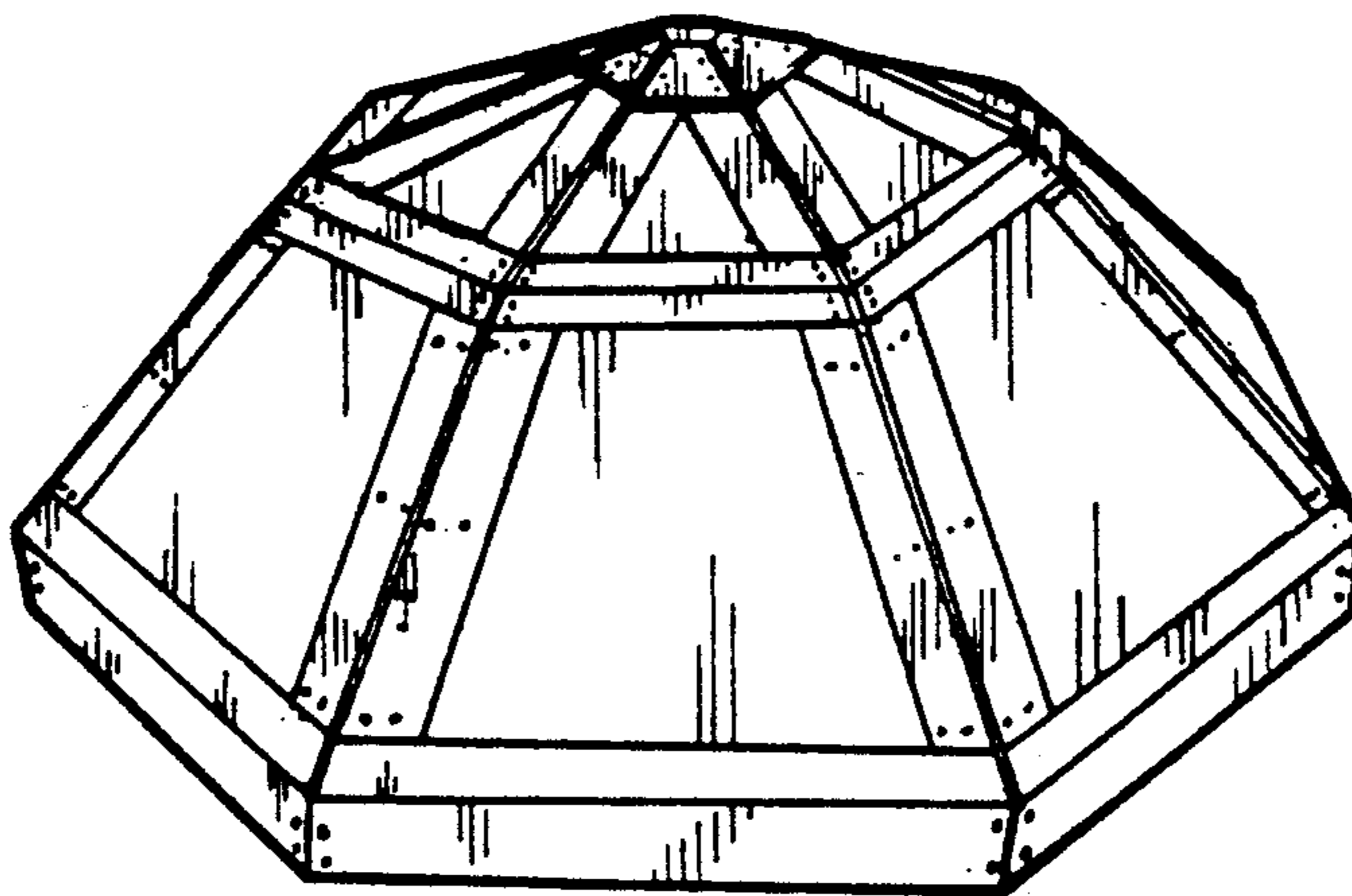


FIG. 2

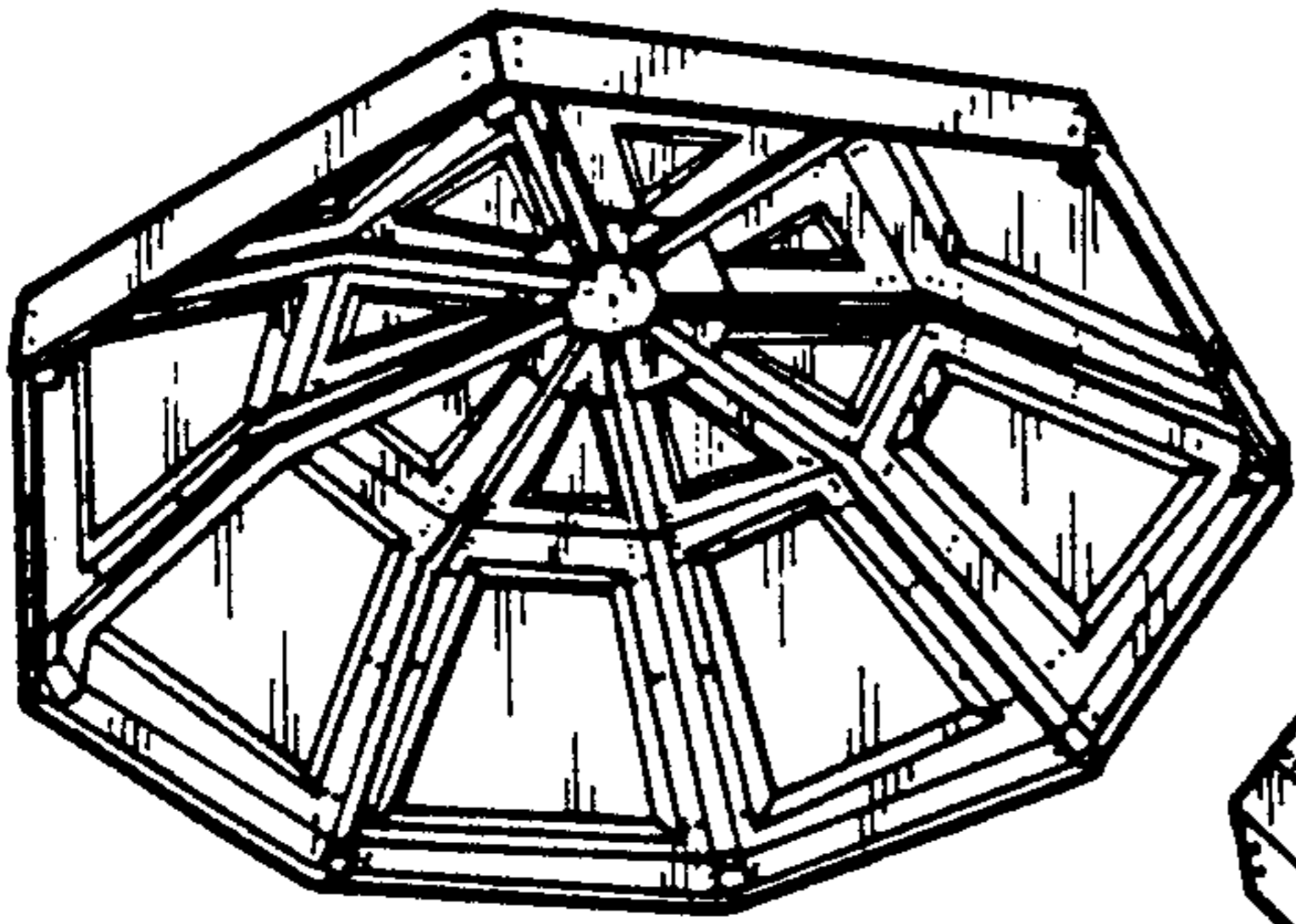


FIG. 1

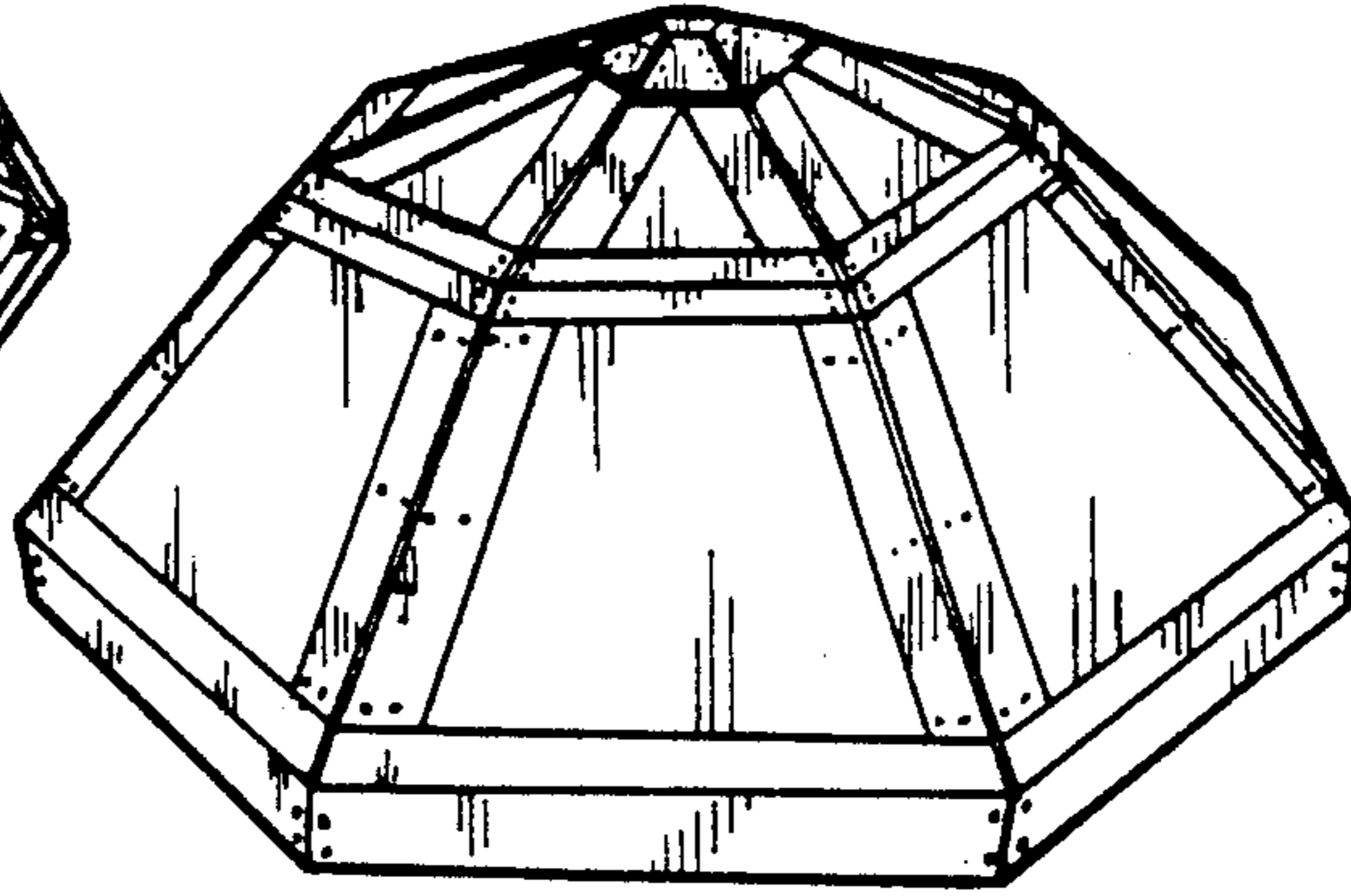


FIG. 3

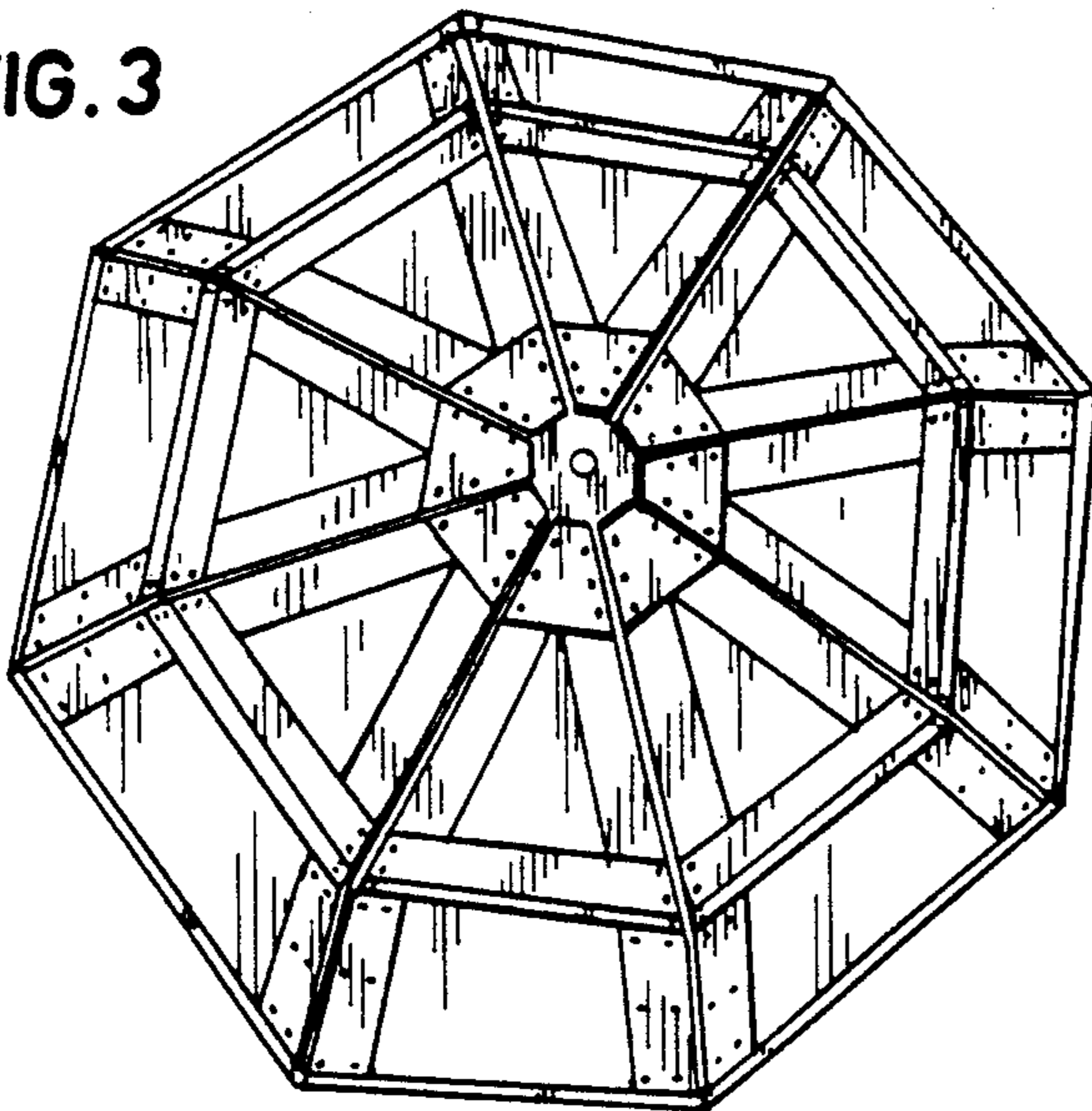
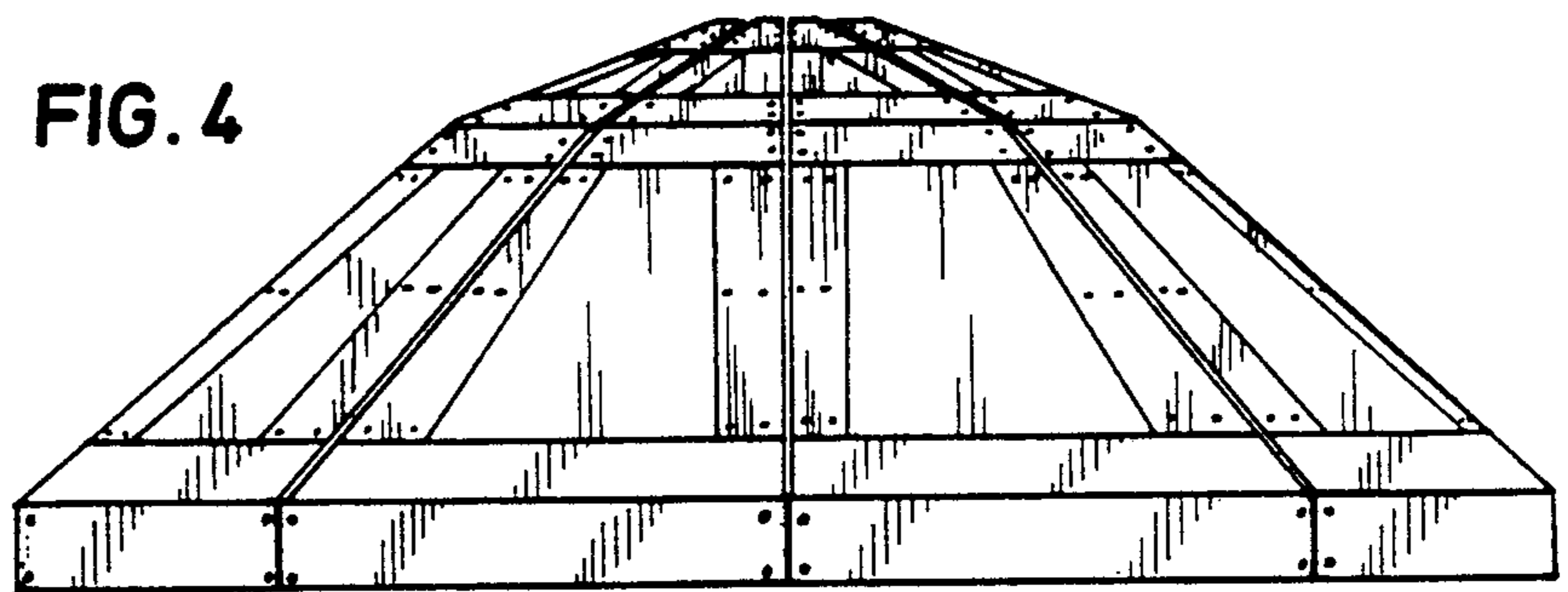


FIG. 4



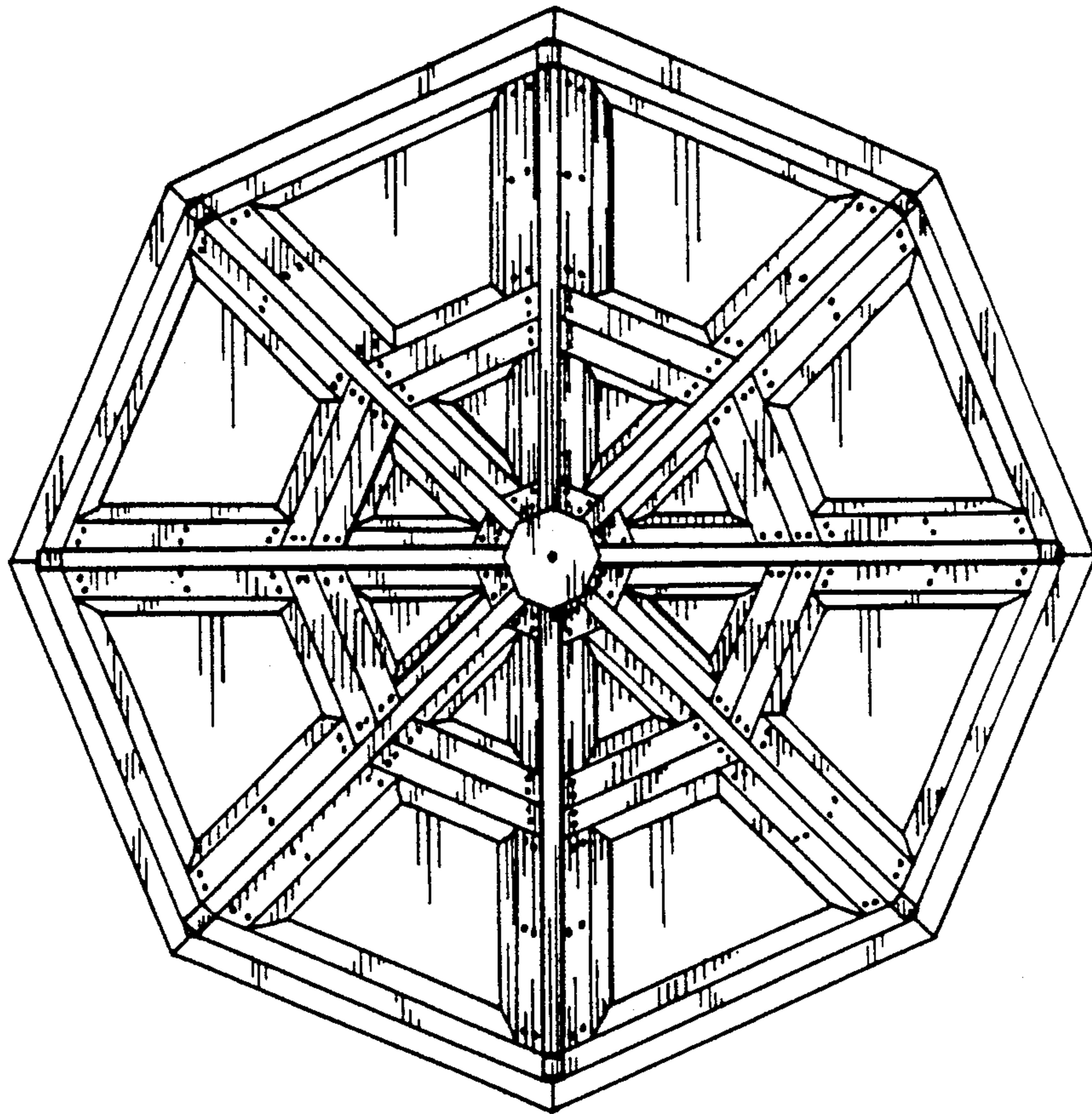


FIG. 5

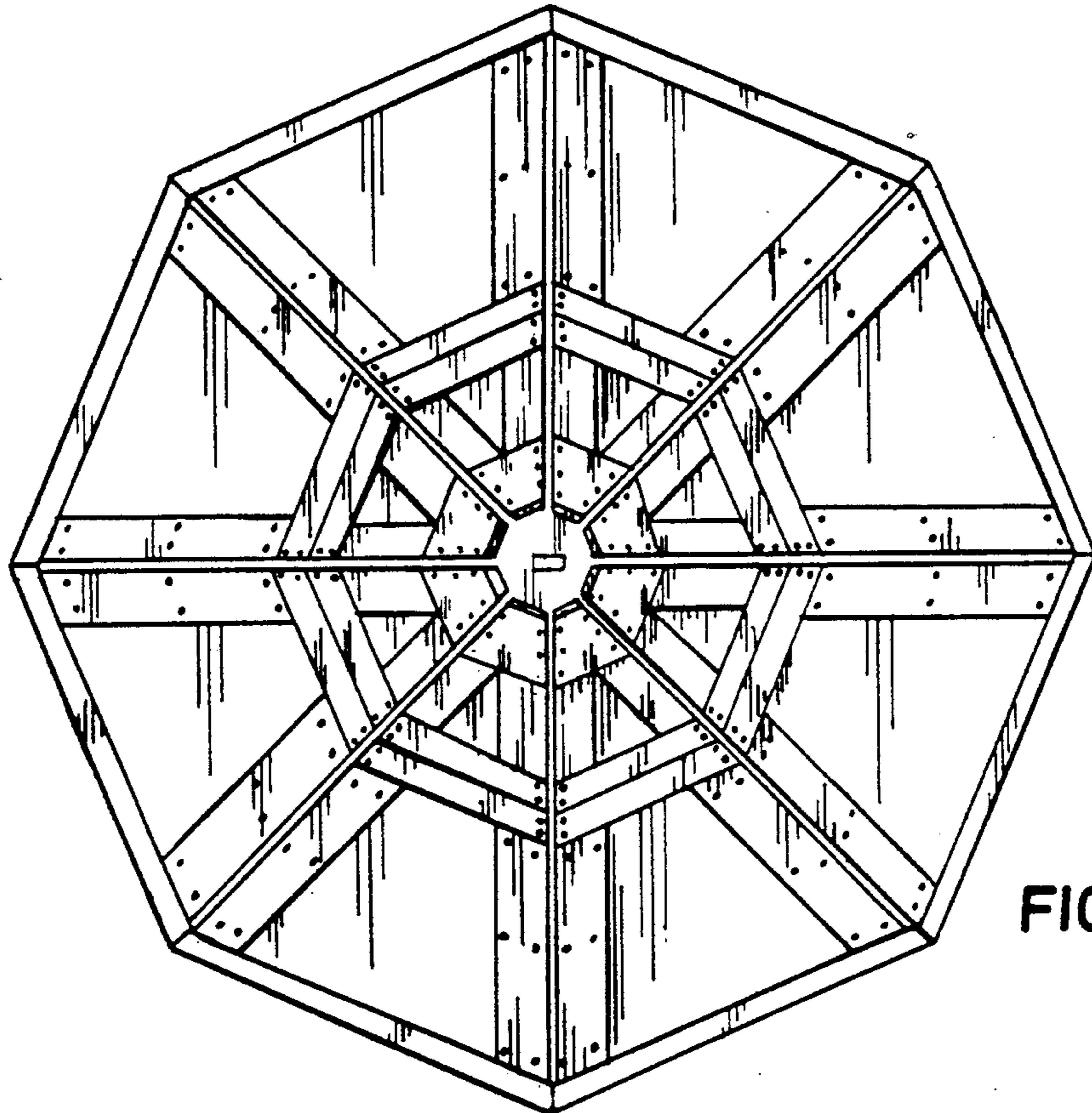


FIG. 6