

[54] PROPANE FIRED HEATER FOR DEFROSTING FROZEN PIPES OR THE LIKE

[76] Inventors: Del Botheras, Box 918; Wayne C. Colenutt, General Delivery, both of Sundre, Alberta, Canada, T0M 1X0

[**] Term: 14 Years

[21] Appl. No.: 247,305

[22] Filed: Sep. 21, 1988

[30] Foreign Application Priority Data

Mar. 23, 1988 [CA] Canada 23-03-88-3
[52] U.S. Cl. D23/332
[58] Field of Search D23/314, 332; 219/366, 219/367, 368

[56] References Cited

U.S. PATENT DOCUMENTS

3,189,727 6/1965 Jepson et al. 219/368
3,692,977 9/1972 Duhamel et al. 219/343
4,511,787 4/1985 Sibert 219/366

OTHER PUBLICATIONS

Grainger's Wholesale Net Price Cat., Spring 1986, p.

1178 A Propane Convection Heater No. 2E427, right lower side of page.

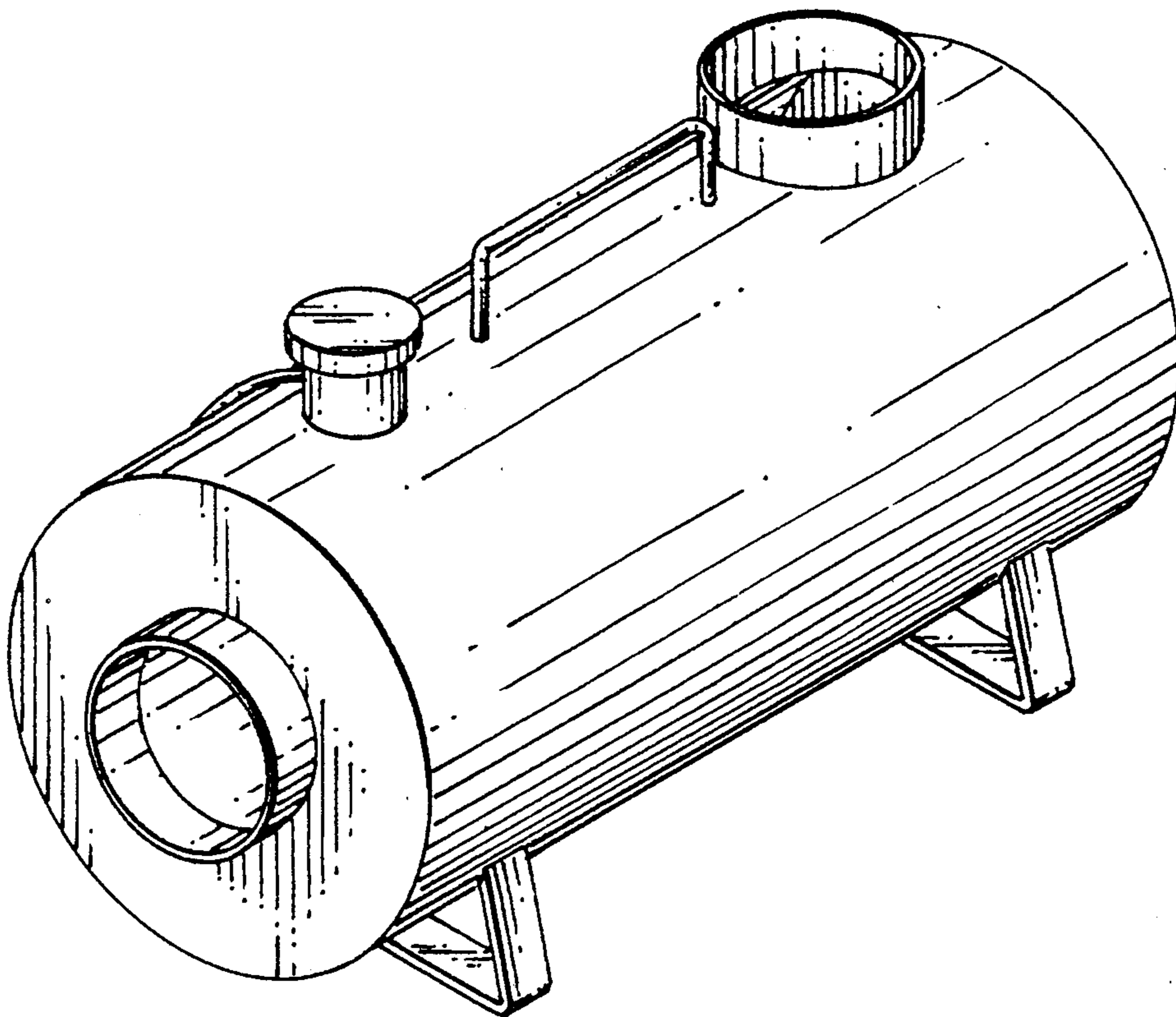
Primary Examiner—James M. Gandy
Assistant Examiner—Lisa Lichtenstein
Attorney, Agent, or Firm—Davis, Bujold & Streck

[57] CLAIM

The ornamental design for a propane fired heater for defrosting frozen pipes or the like, as shown.

DESCRIPTION

FIG. 1 is a top, front, and left side perspective view of a propane fired heater for defrosting frozen pipes or the like, showing our new design;
FIG. 2 is a top plan view thereof on a reduced scale;
FIG. 3 is a left side elevation view thereof on a reduced scale;
FIG. 4 is a front elevation view thereof on a reduced scale;
FIG. 5 is a right side elevation view thereof on a reduced scale;
FIG. 6 is a rear elevation view thereof on a reduced scale; and
FIG. 7 is a bottom plan view thereof on a reduced scale.



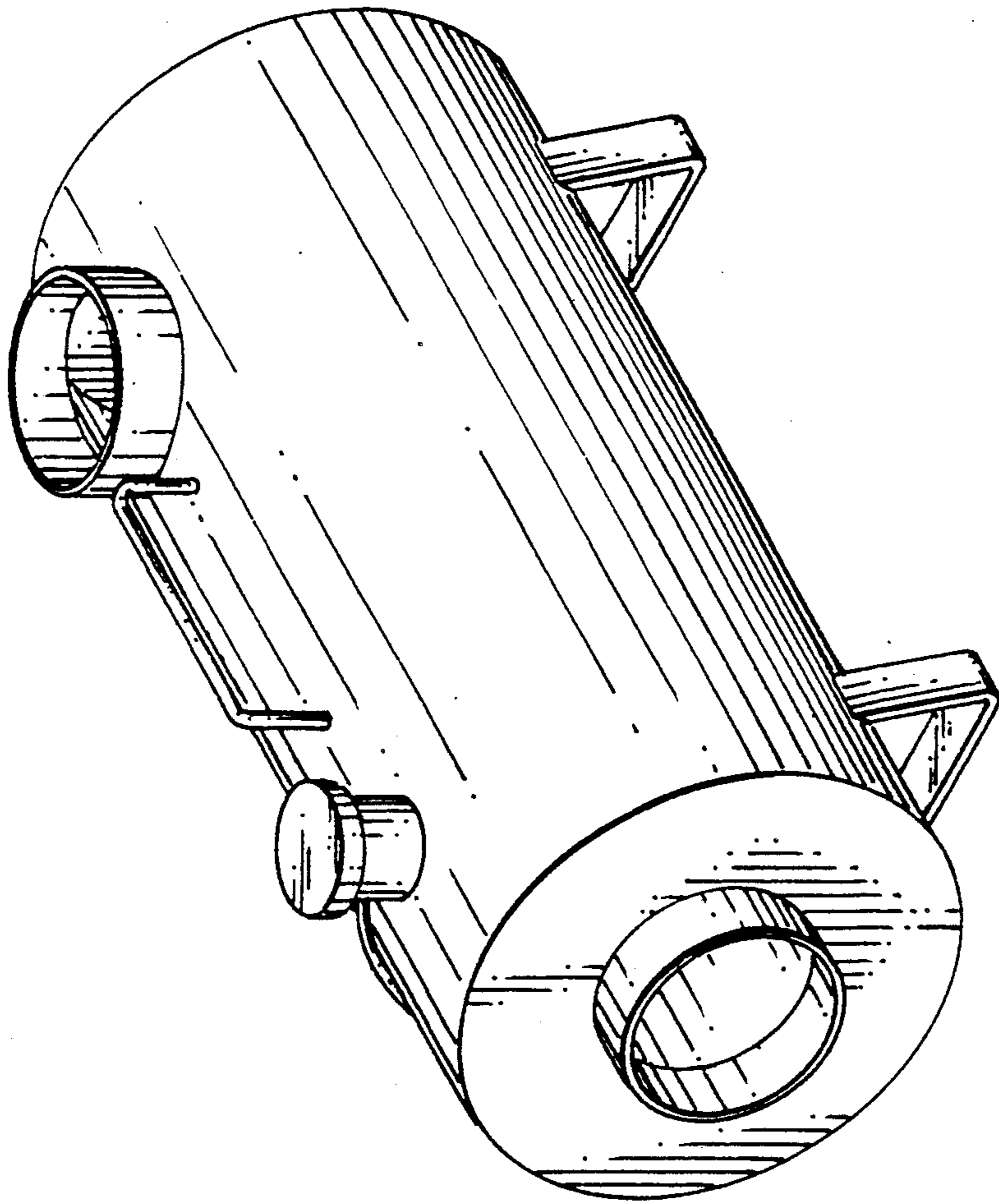


FIG. 1

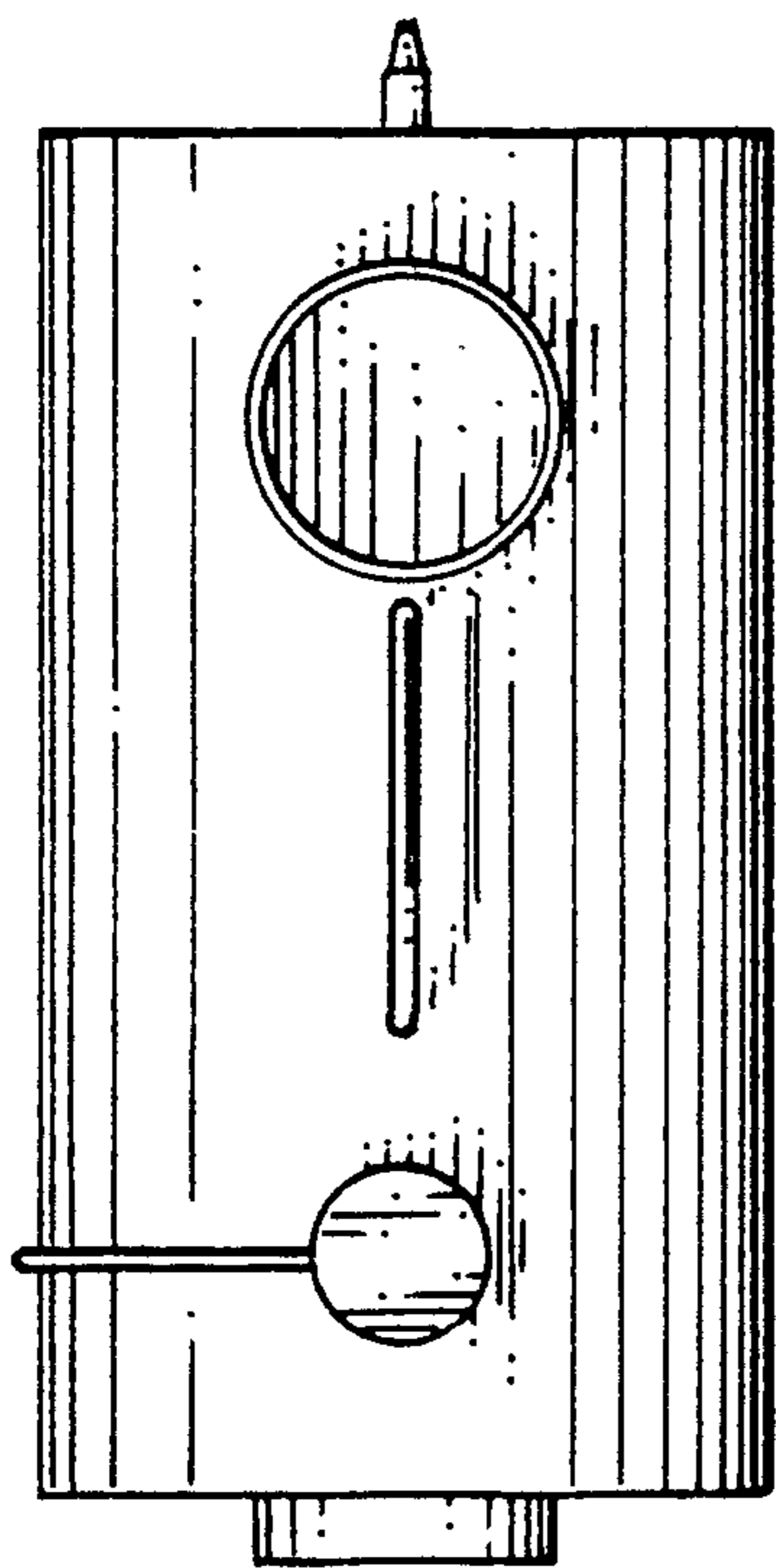


FIG. 2

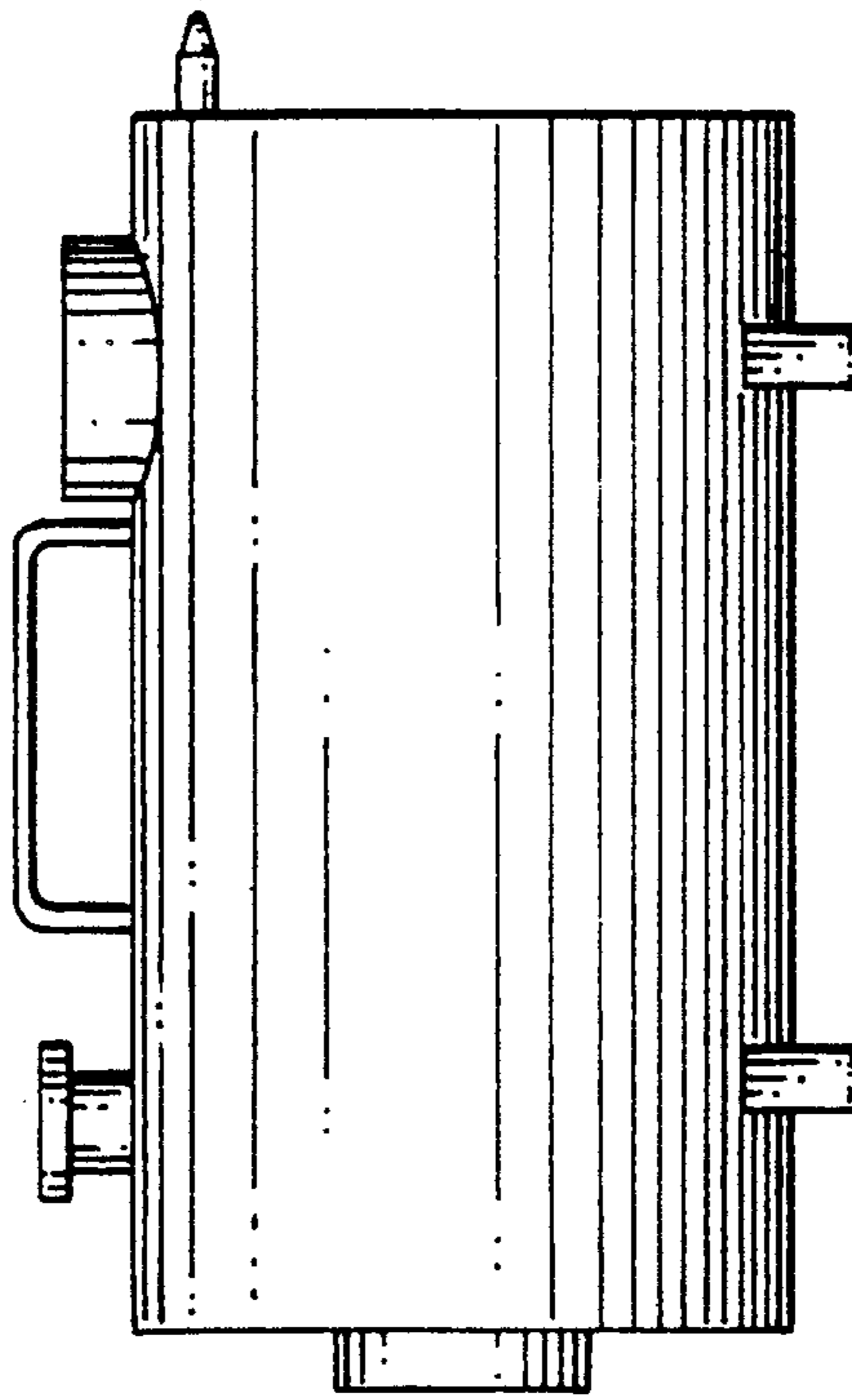


FIG. 4

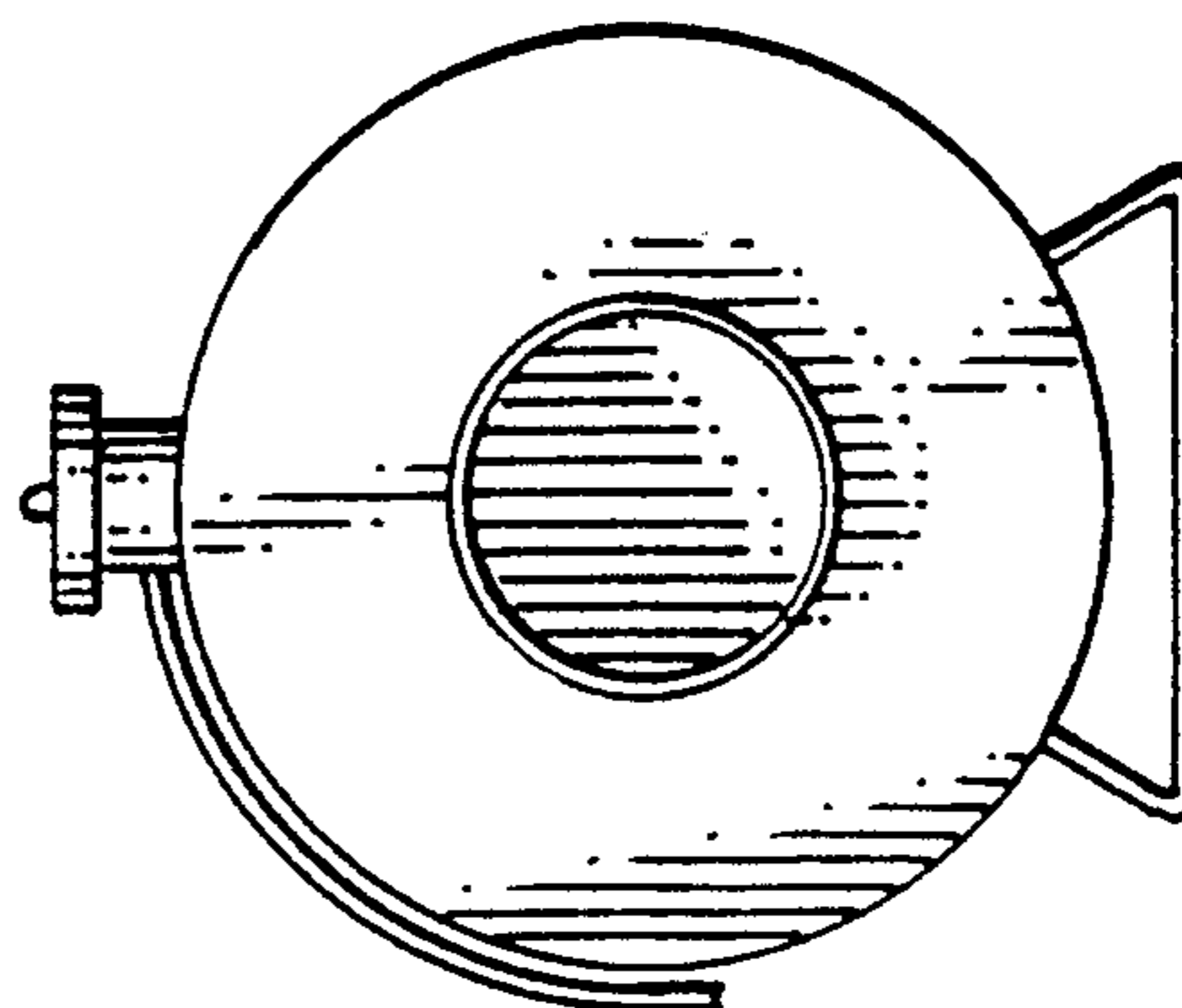


FIG. 3

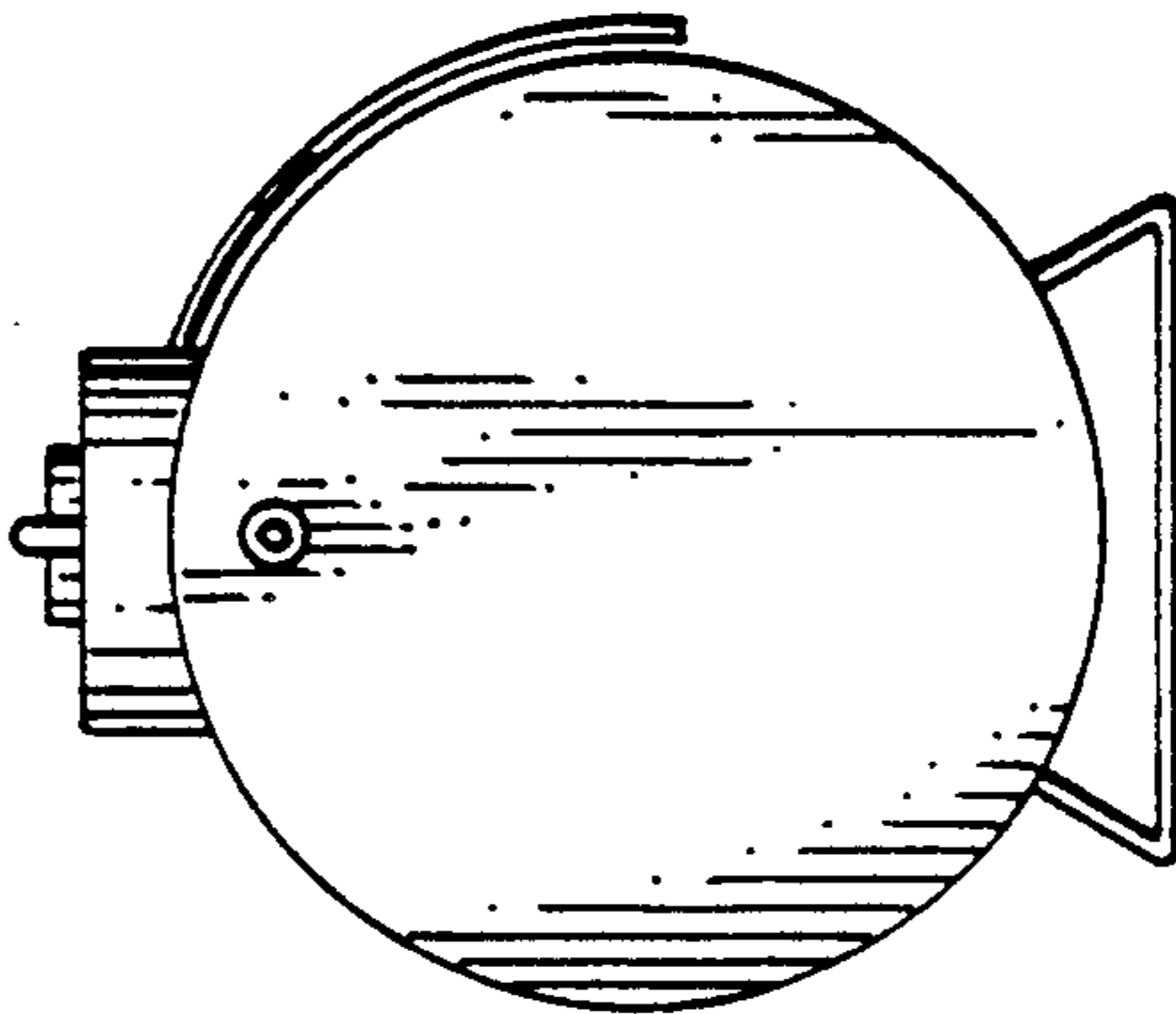


FIG. 5

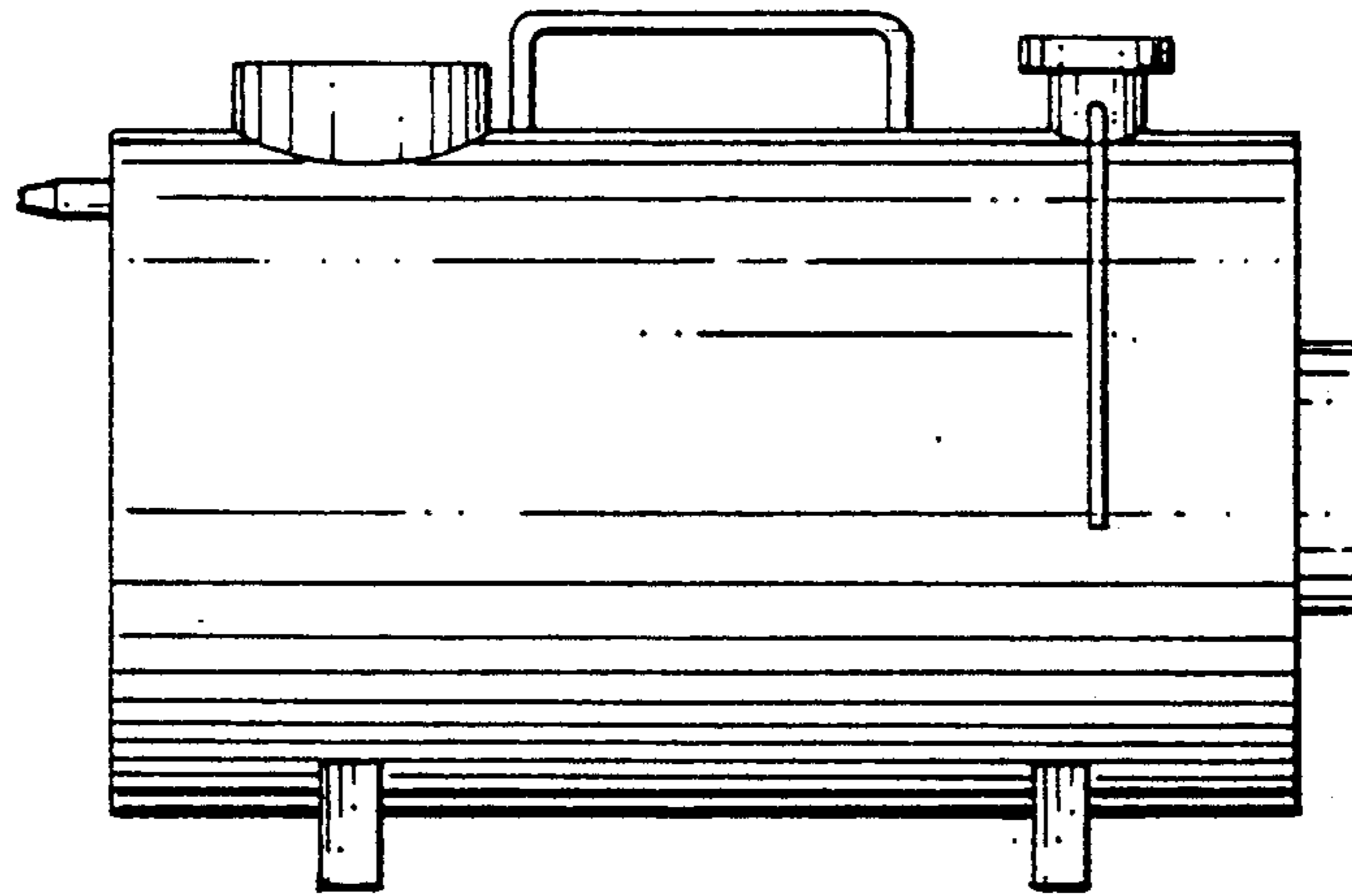


FIG. 6

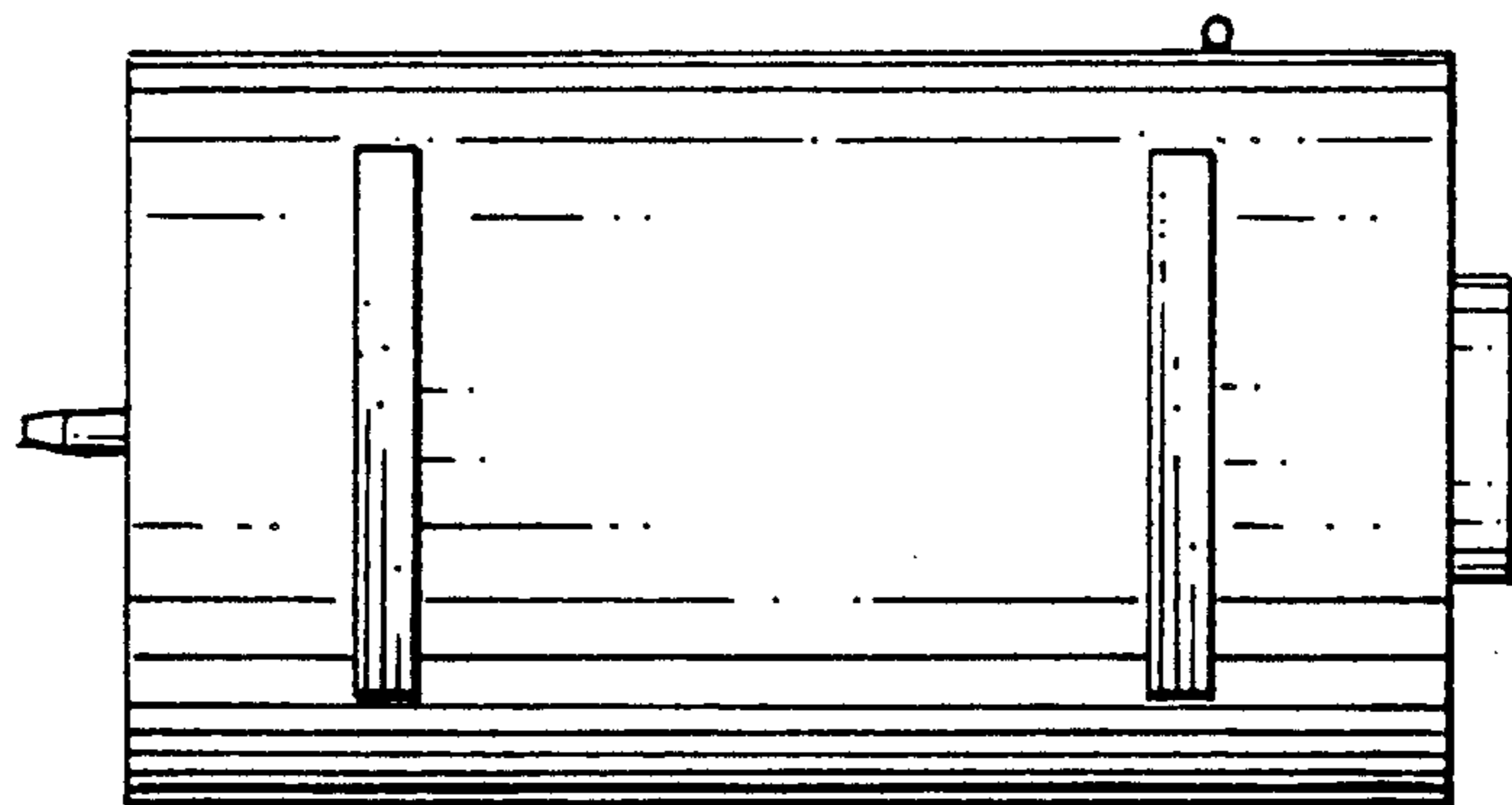


FIG. 7