

[54] BATHTUB DESIGN
 [75] Inventor: Anthony G. Spangler, Sheridan, Ind.
 [73] Assignee: Masco Corporation of Indiana,
 Taylor, Mich.
 [**] Term: 14 Years
 [21] Appl. No.: 78,246
 [22] Filed: Jul. 27, 1987
 [52] U.S. Cl. D23/281
 [58] Field of Search D23/275, 277-281,
 D23/303-307; 4/488, 492, 513, 537-540, 546,
 553, 572-575, 579, 584, 589, 590, 615

D. 277,128 1/1985 Daniels D23/281
 D. 277,306 1/1985 Lax D23/277
 D. 288,470 2/1987 Diamond D23/277
 4,868,934 9/1989 Altman 4/538 X

Primary Examiner—James R. Largen
 Attorney, Agent, or Firm—Myron B. Kapustij; Edgar A.
 Zarins; Malcolm L. Sutherland

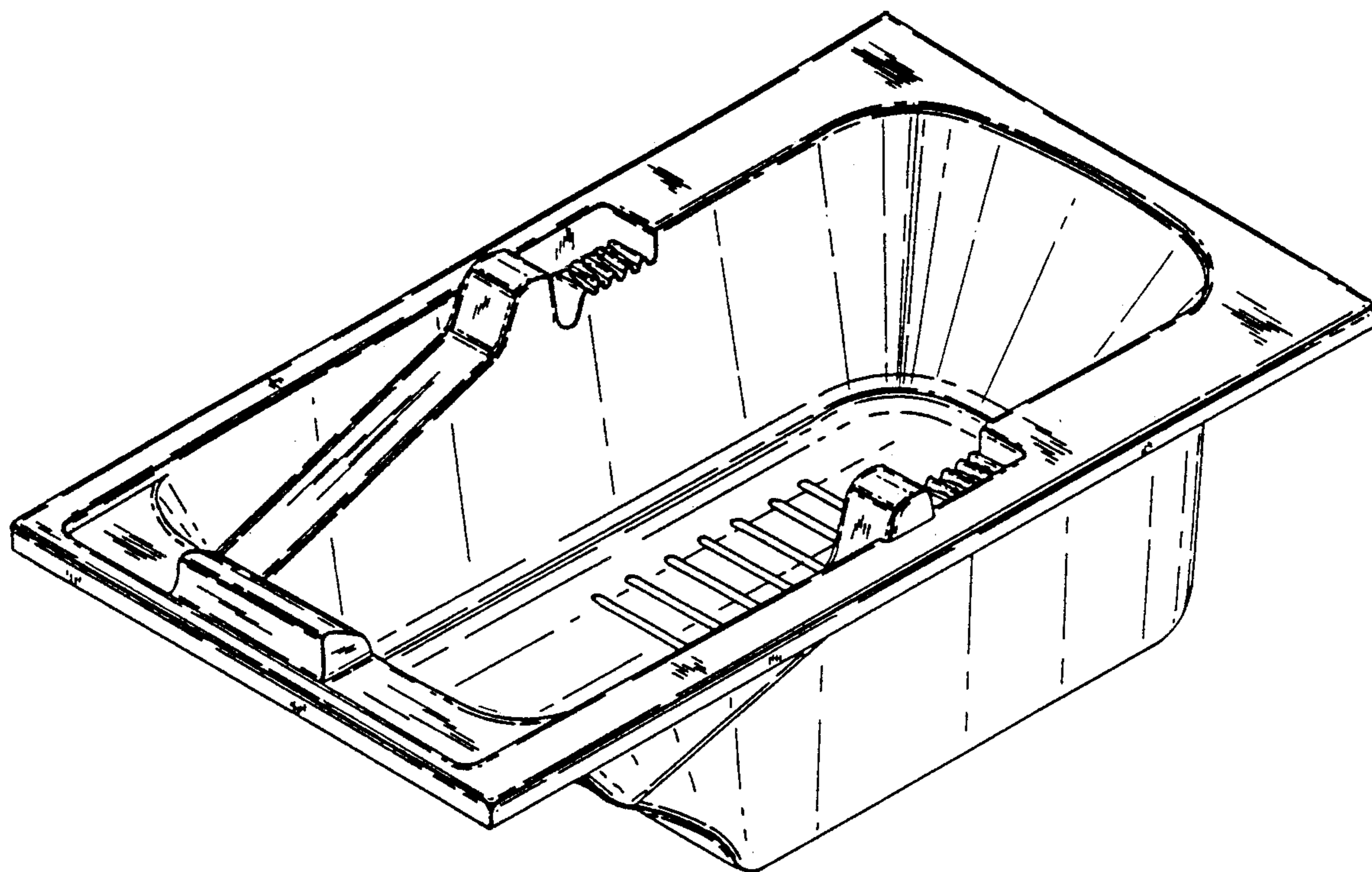
[57] CLAIM

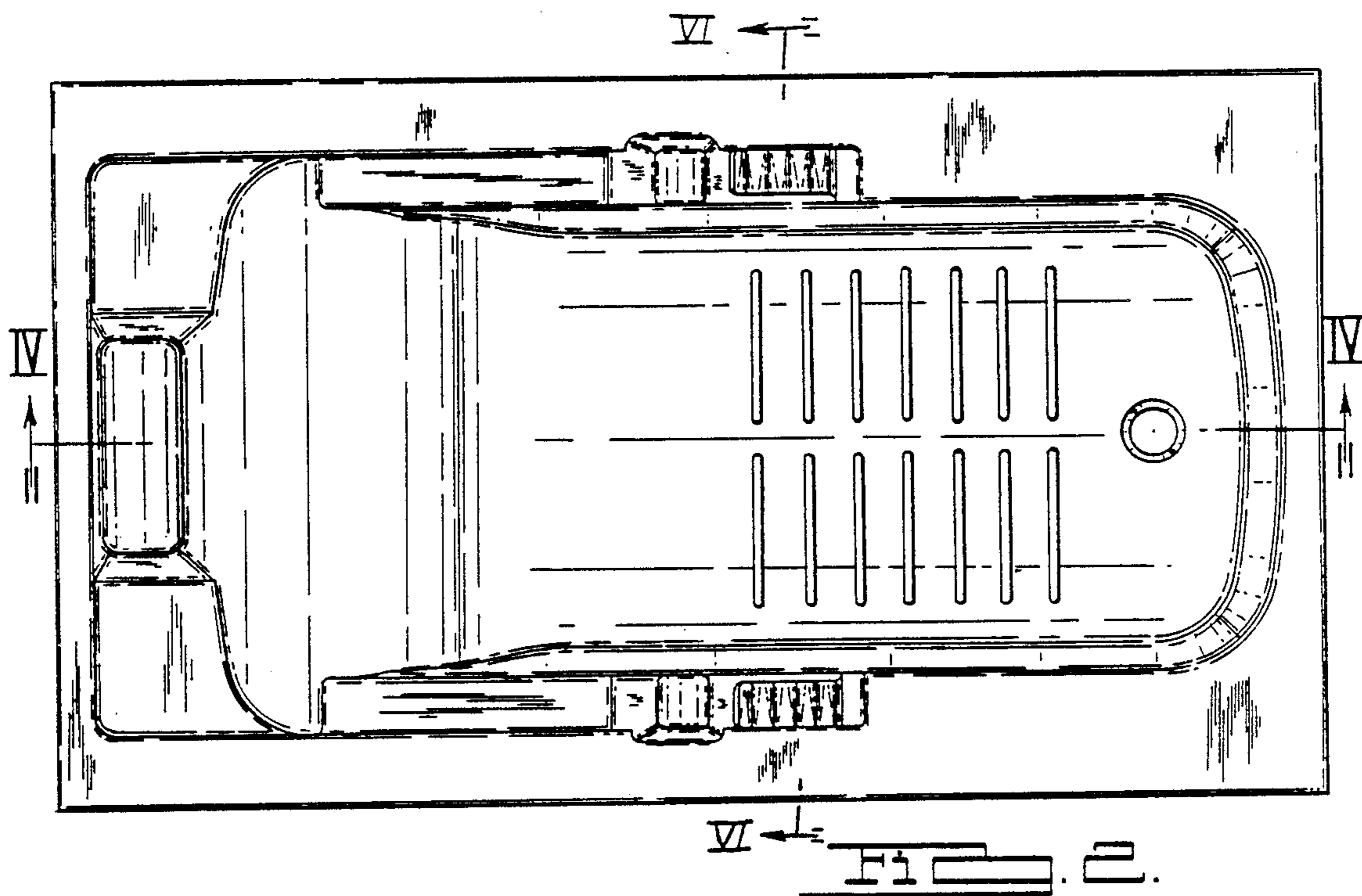
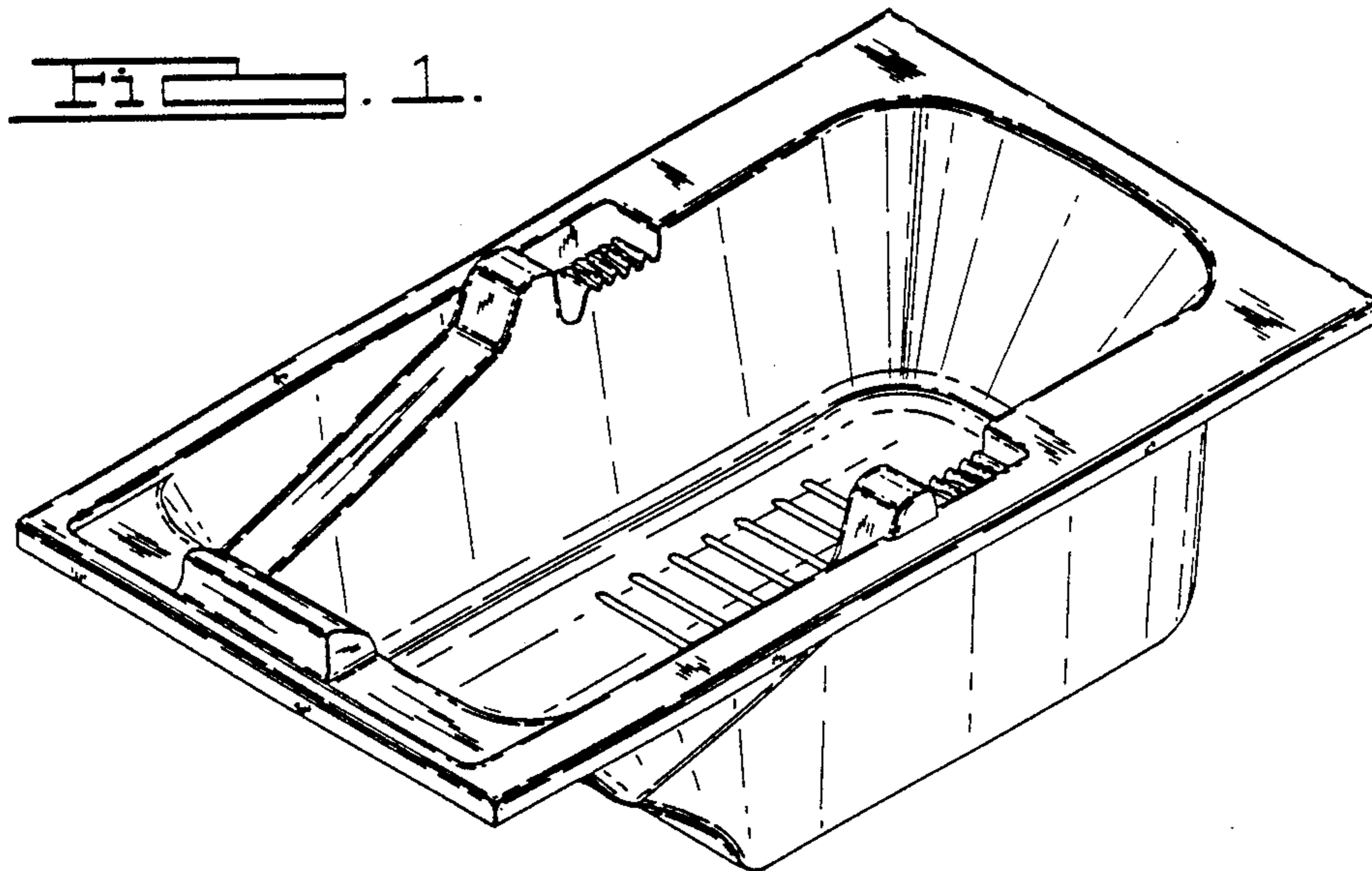
The ornamental design for a bathtub, as shown and described.

DESCRIPTION

FIG. 1 is a top perspective view of a bathtub showing my new design;
 FIG. 2 is a top plan view thereof;
 FIG. 3 is a side elevational view thereof, the opposite side being a mirror image of the side shown;
 FIG. 4 is a cross sectional view taken on line IV—IV of FIG. 2;
 FIG. 5 is an elevational view taken from one end thereof;
 FIG. 6 is a cross sectional view taken on line VI—VI of FIG. 2; and
 FIG. 7 is an elevational view taken from the end opposite that shown in FIG. 5.

- [56] References Cited
 U.S. PATENT DOCUMENTS
 D. 229,180 11/1973 Mollerstedt D23/281
 D. 241,643 9/1976 Bonsack D23/281
 D. 244,292 5/1977 Ridgeway D23/281
 D. 244,855 6/1977 Doman D23/281
 D. 250,830 1/1979 Clement D23/277
 D. 250,895 1/1979 Laver D23/281 X
 D. 253,008 9/1979 Guigups D23/281
 D/ 253,547 11/1979 Beddome et al. D23/281
 D. 276,456 11/1984 Primault D23/281





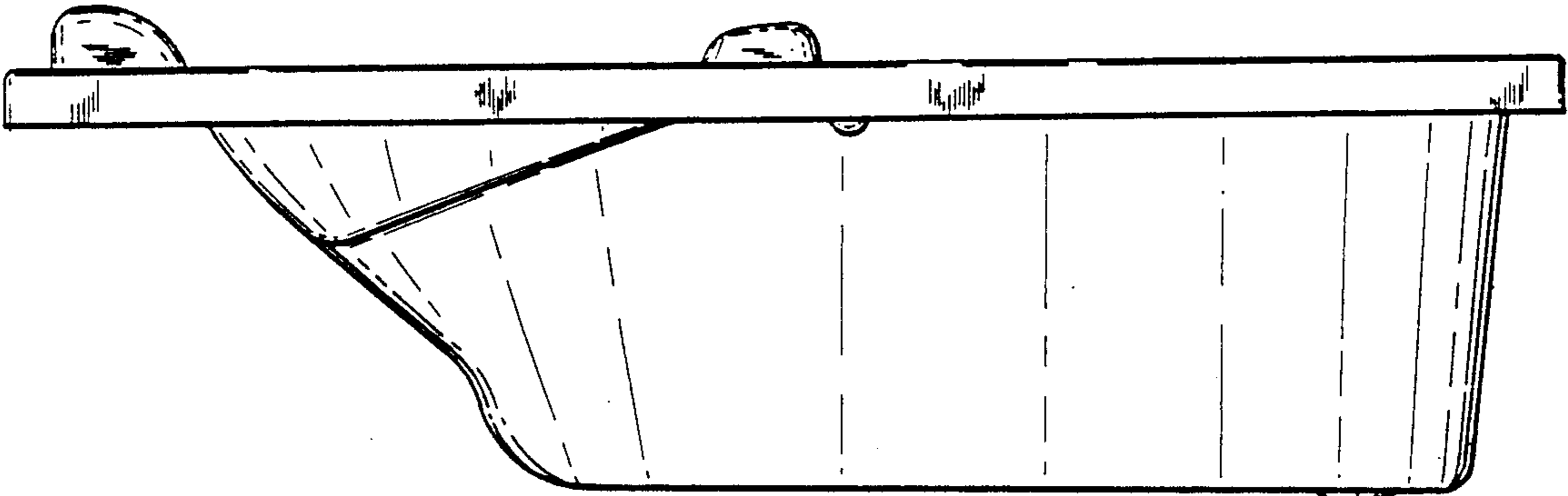


Fig. 3.

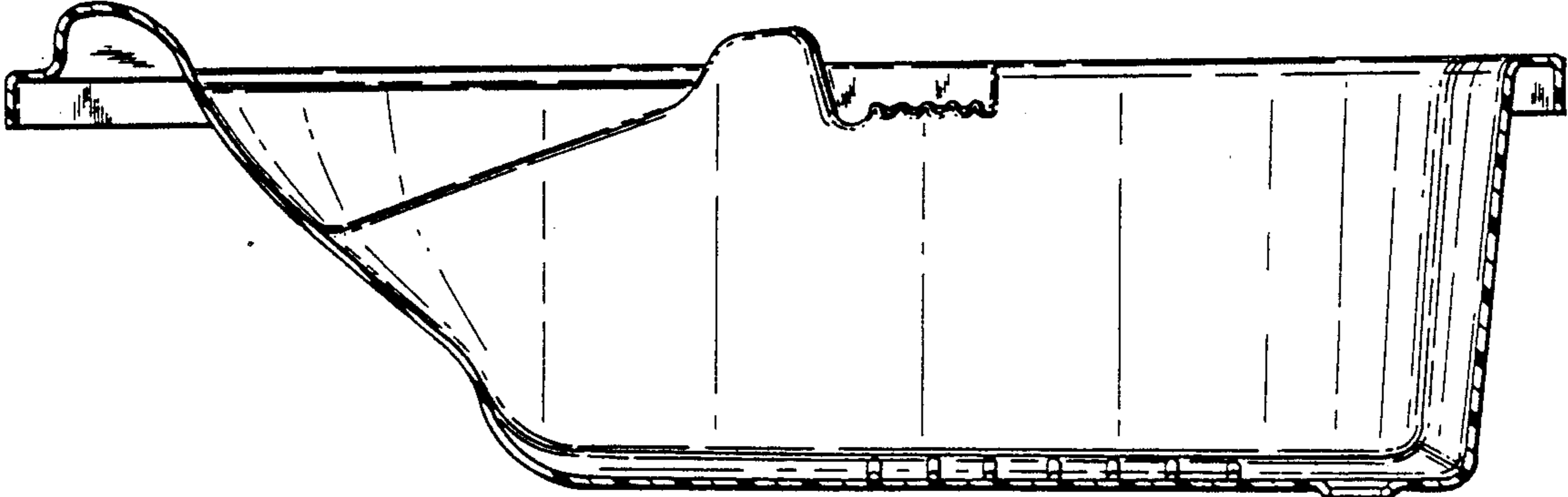


Fig. 4.

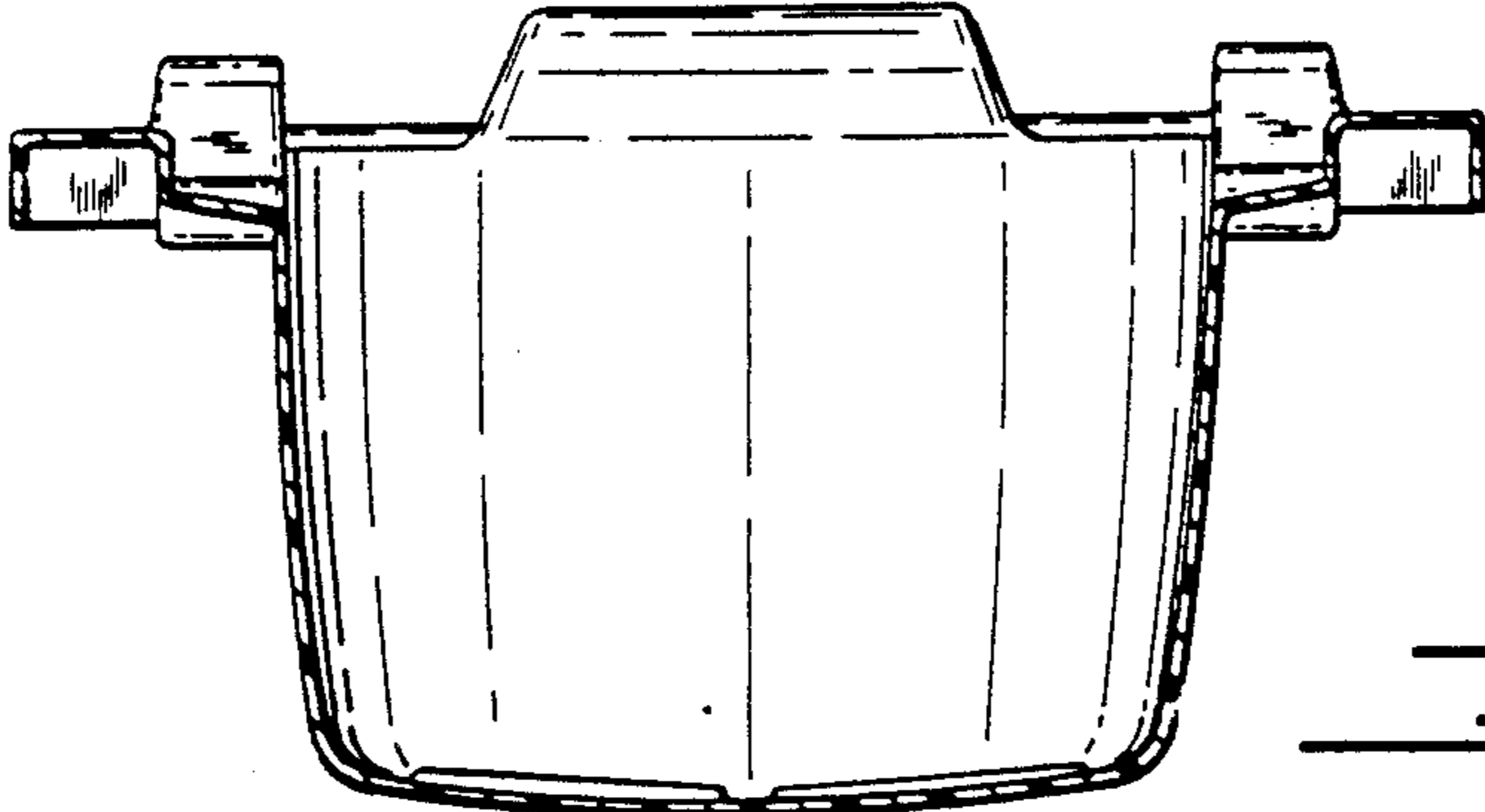


Fig. 5.

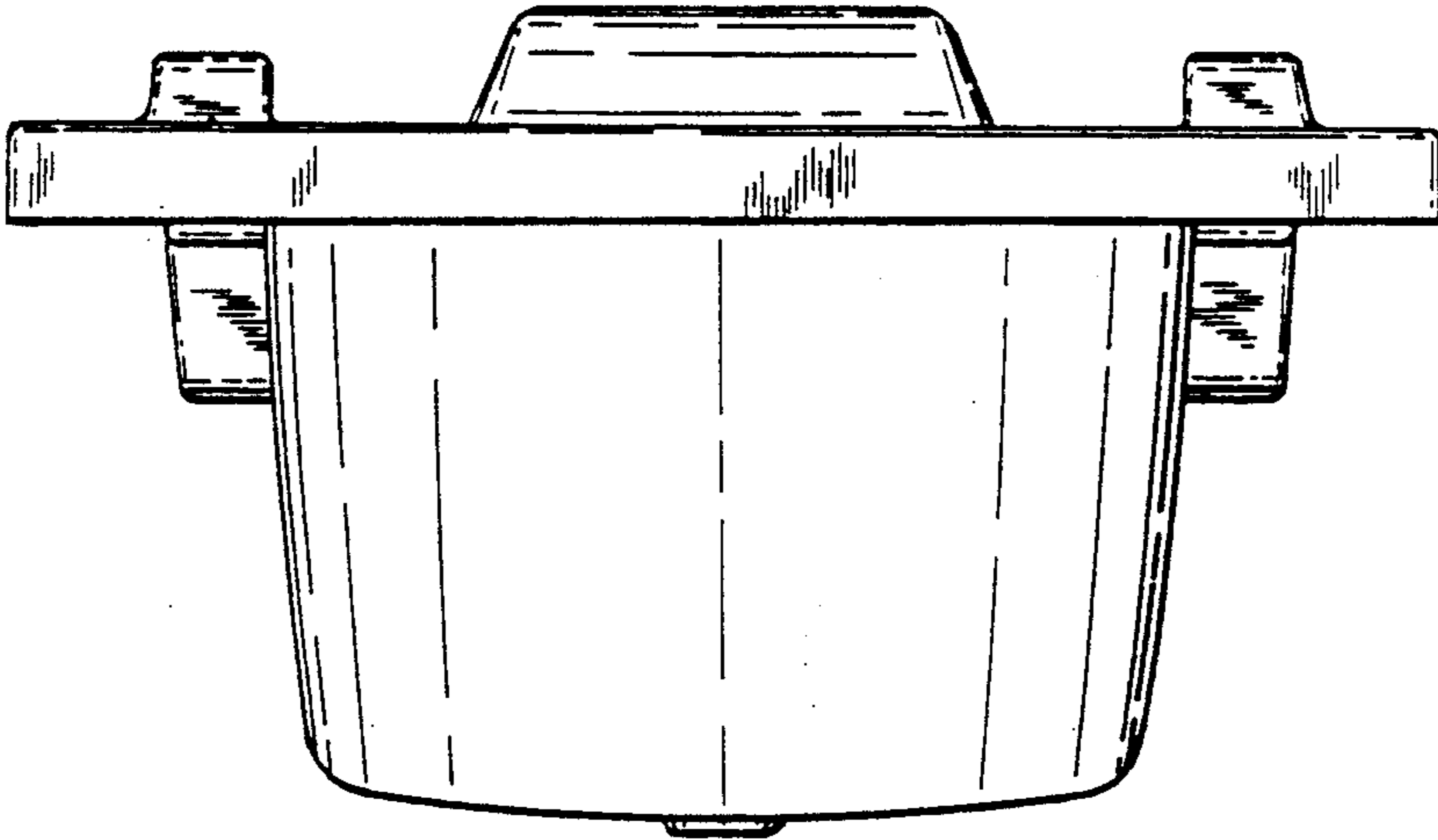


FIG. 3.

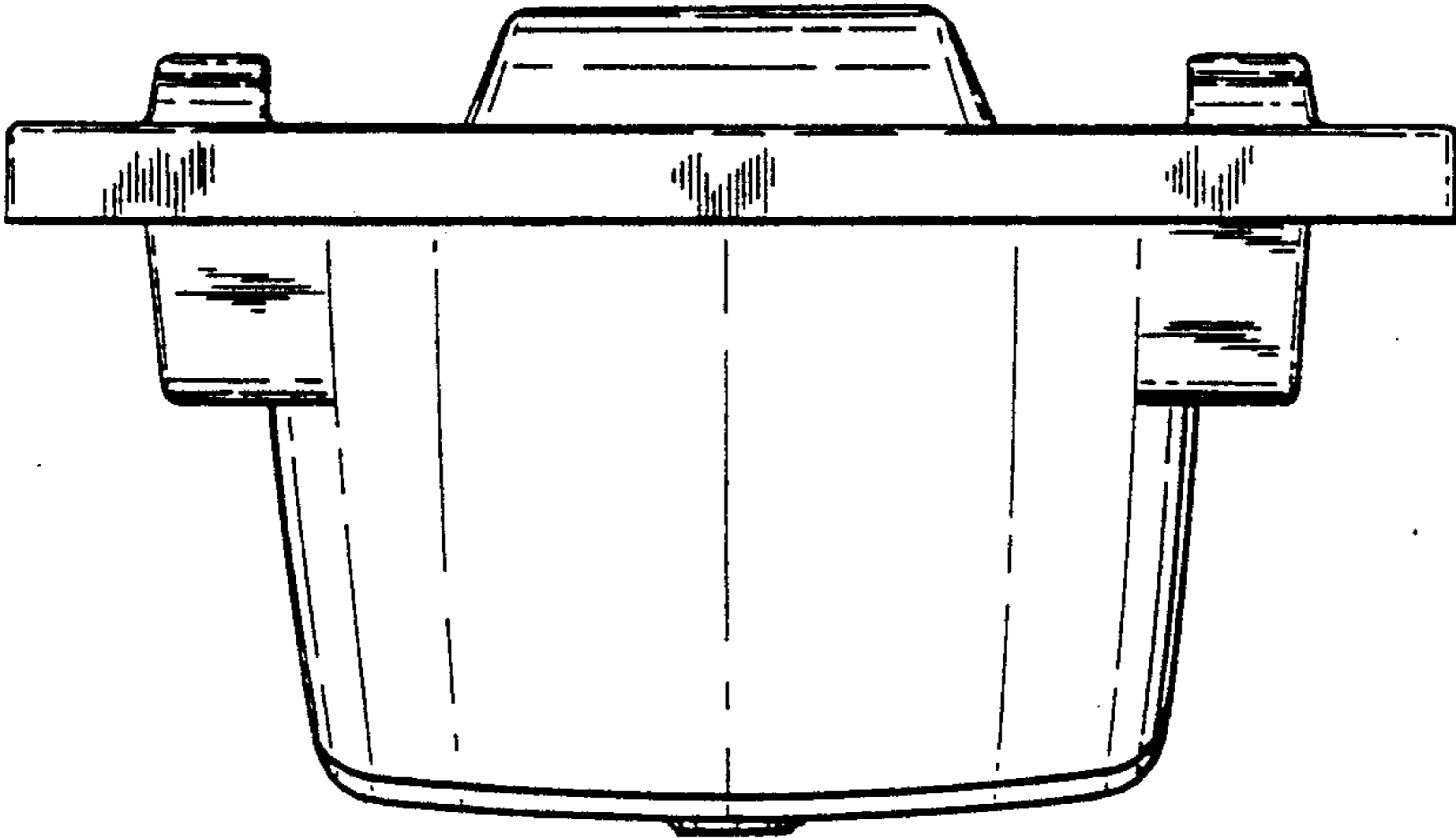


FIG. 2.