

[54] BASKET FOR SKI POLE

[76] Inventor: John H. Ehlert, 6606 Rock Ledge Dr., Brecksville, Ohio 44141

[**] Term: 14 Years

[21] Appl. No.: 211,683

[22] Filed: Jun. 27, 1988

[52] U.S. Cl. D21/230

[58] Field of Search D21/229, 230; 280/813, 280/819, 821, 824

[56] References Cited

U.S. PATENT DOCUMENTS

4,669,752 6/1987 Jackson et al. 280/824

Primary Examiner—Bernard Ansher
Assistant Examiner—Terry A. Pfeffer
Attorney, Agent, or Firm—Lawrence Hager

[57] CLAIM

The ornamental design for basket for ski pole, as shown and described.

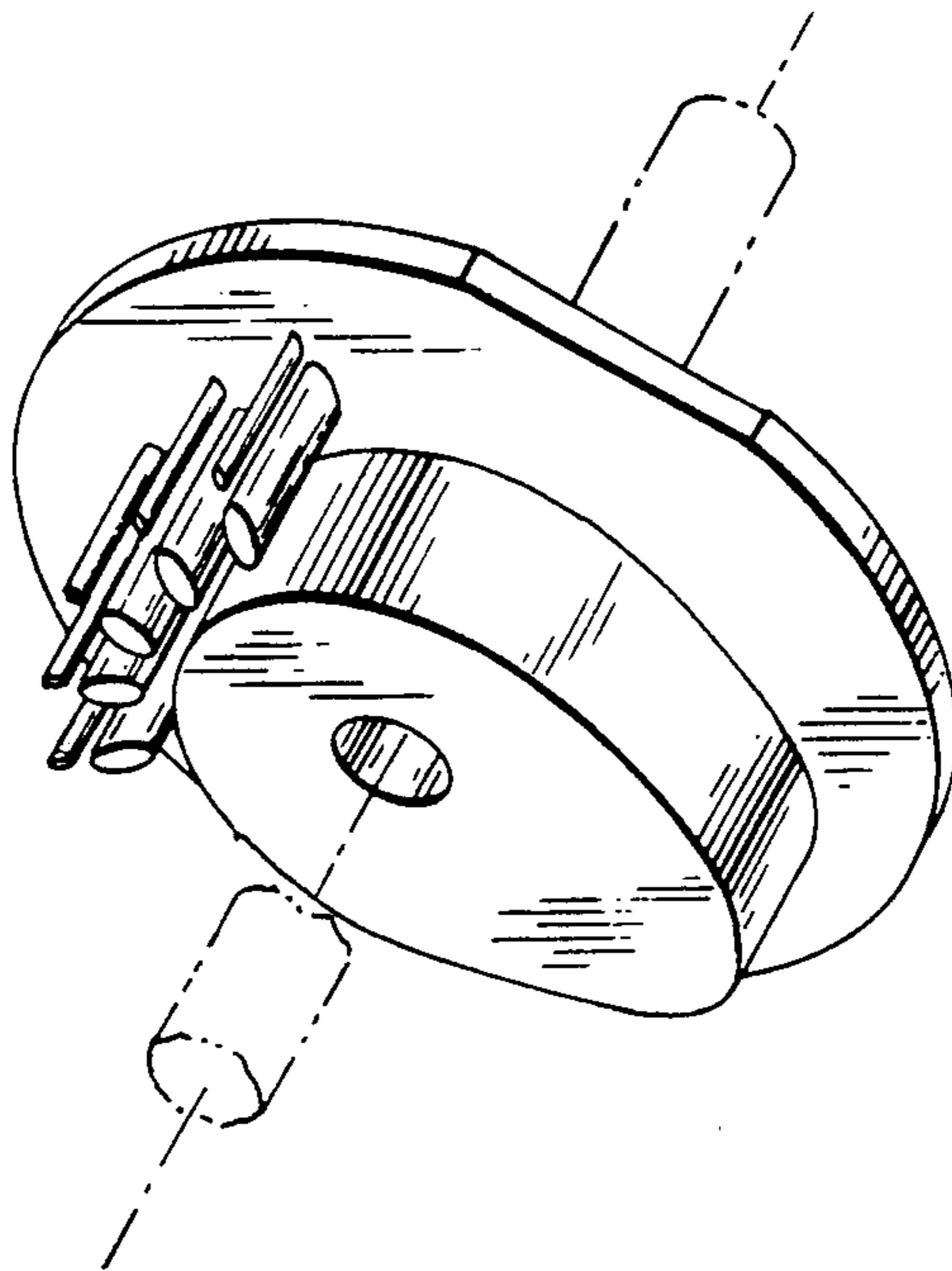
DESCRIPTION

FIG. 1 is a top plan view of a basket for ski pole showing my new design;

FIG. 2 is a bottom plan view thereof;

FIG. 3 is a sectional view taken along line 3—3 of FIG. 2; and

FIG. 4 is a perspective view thereof.



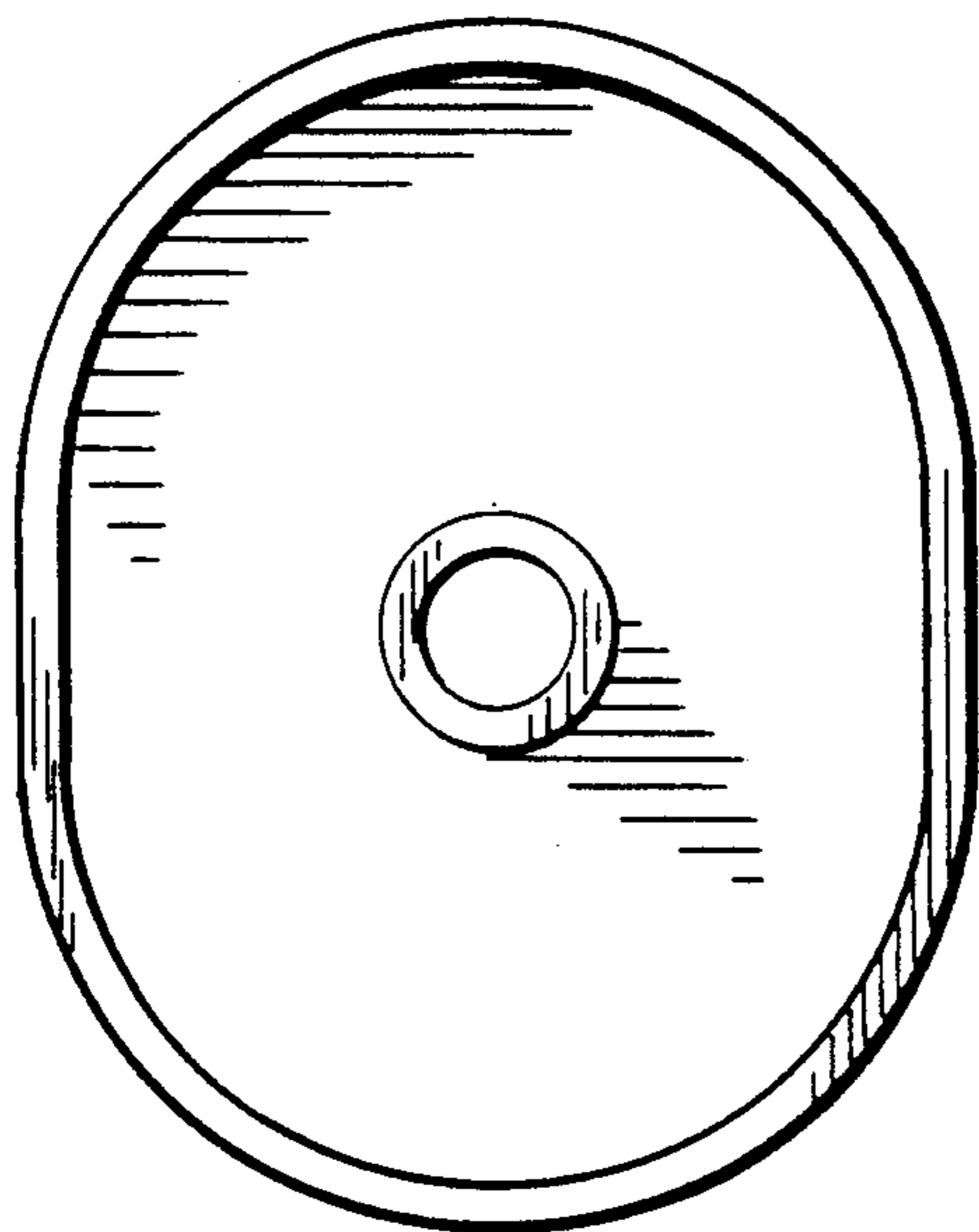


FIG. 1

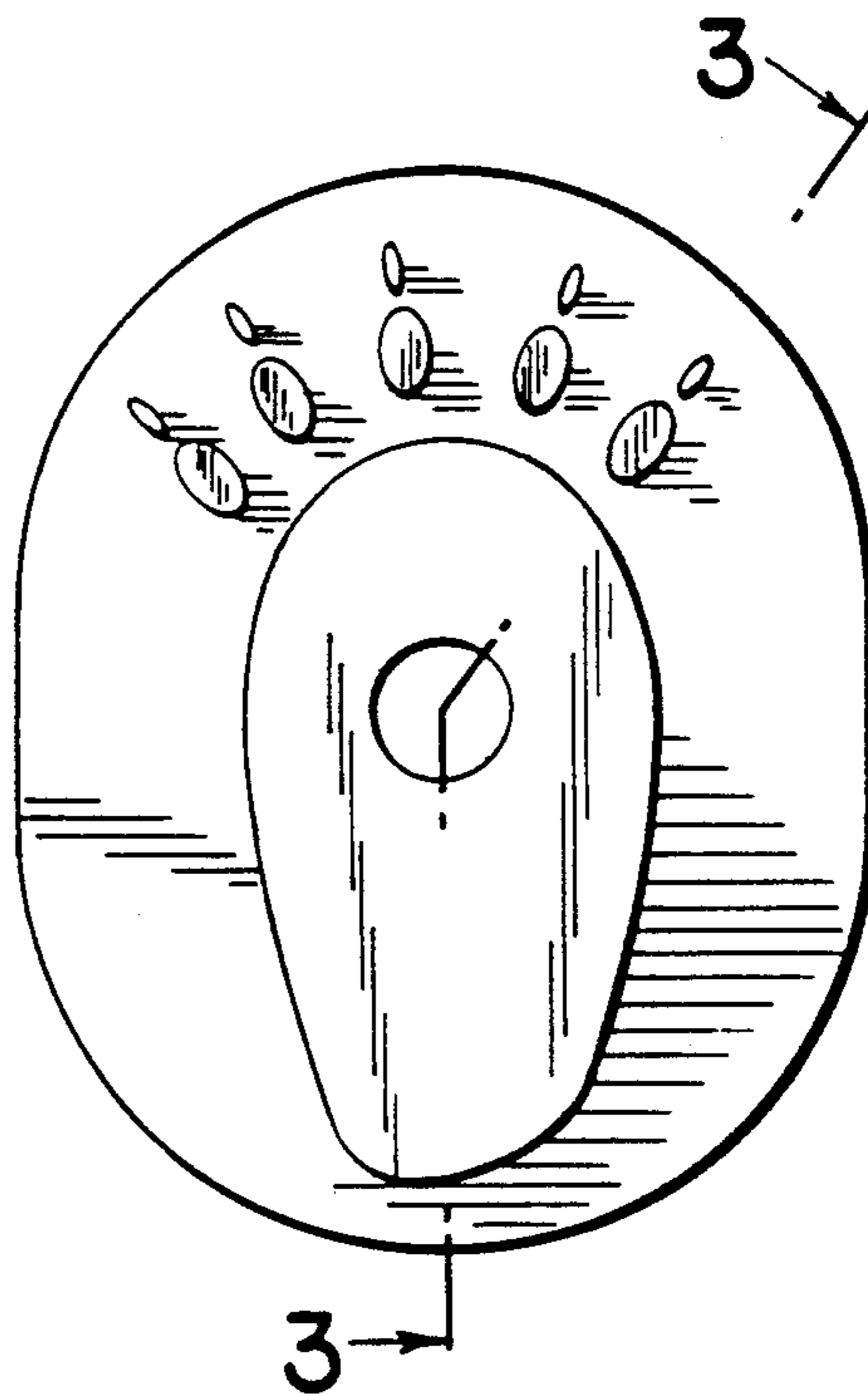


FIG. 2

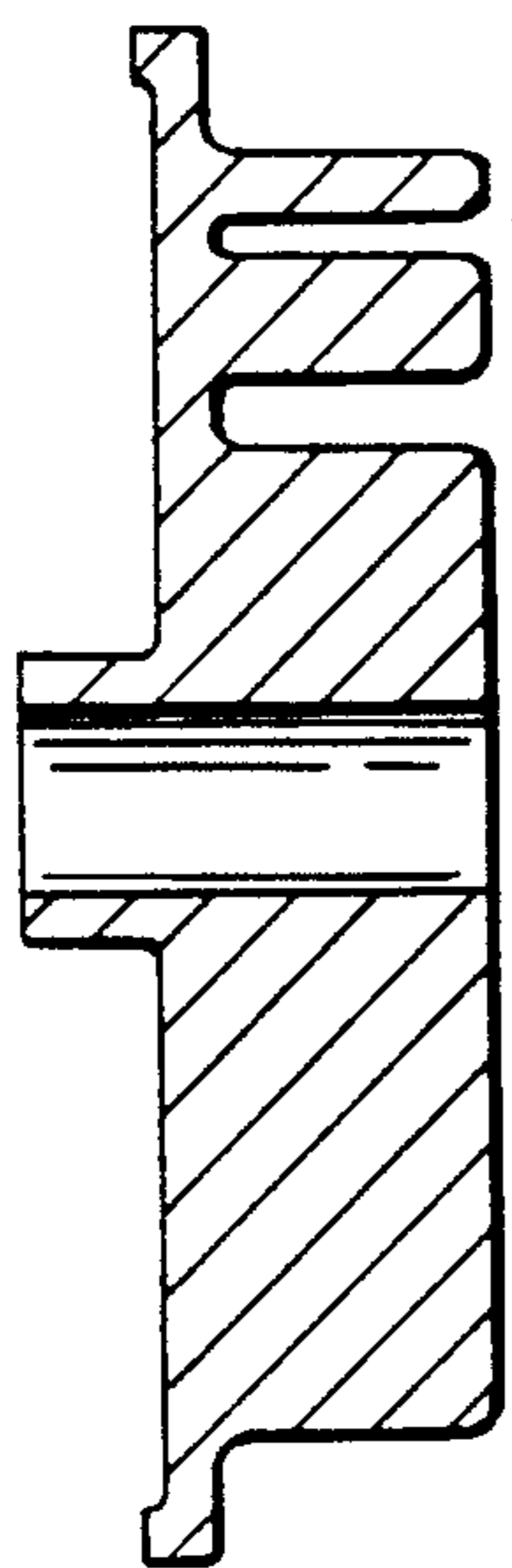


FIG. 3

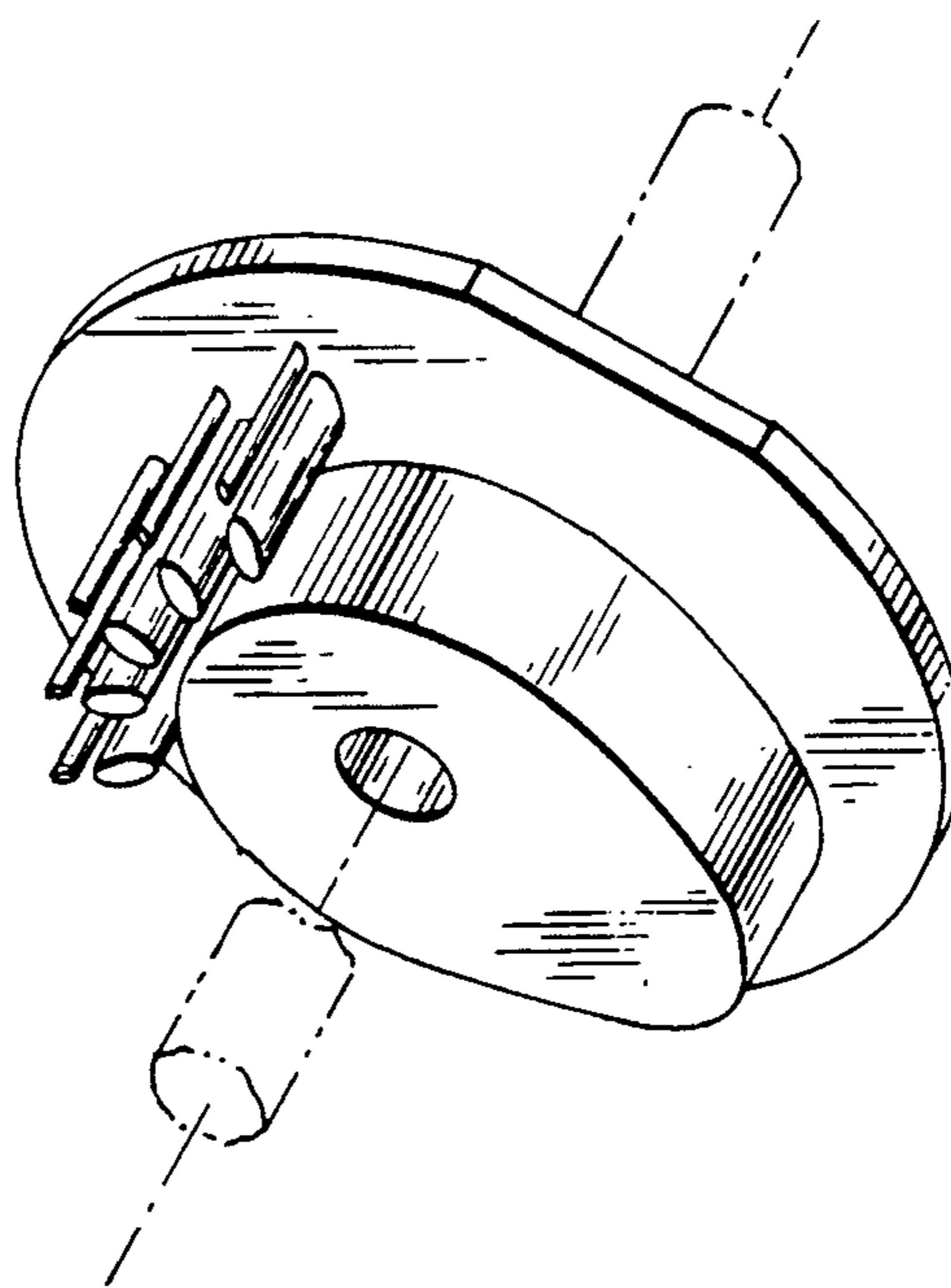


FIG. 4