

[54] TOY BUILDING ELEMENT
[75] Inventor: Edel S. Andersen, Randbøl, Denmark
[73] Assignee: Interlego A.G., Baar, Switzerland
[**] Term: 14 Years
[21] Appl. No.: 349,349
[22] Filed: May 9, 1989
[52] U.S. Cl. D21/108
[58] Field of Search D21/59, 108, 114, 117,
D21/118, 119; 446/108, 115, 118, 124, 126

3,188,693 6/1965 Troyano D21/108
4,758,195 7/1988 Walsh 446/85

Primary Examiner—Charles A. Rademaker
Assistant Examiner—Alicia A. Farrell
Attorney, Agent, or Firm—Kane, Dalsimer, Sullivan,
Kurucz, Levy, Eisele and Richard

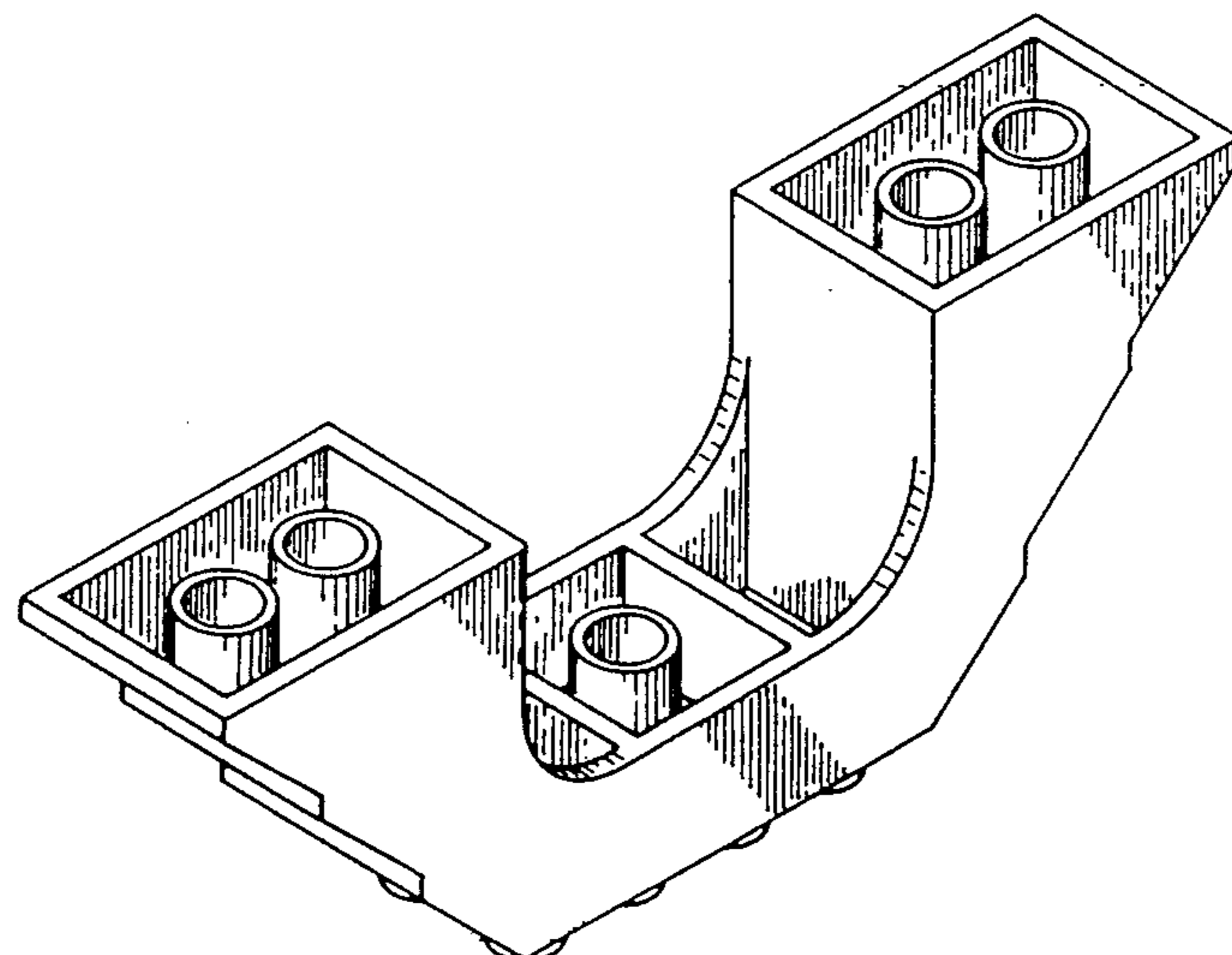
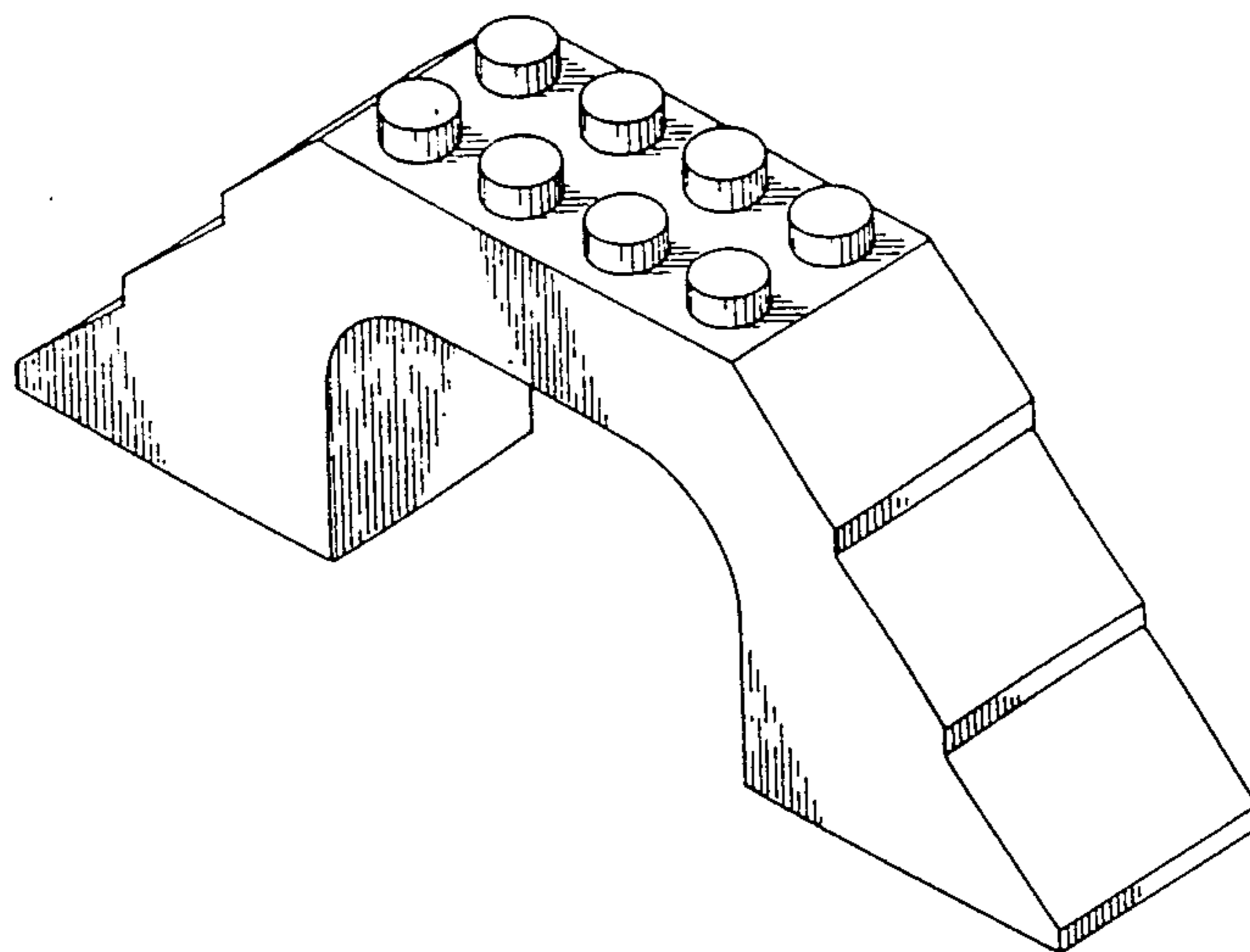
[57] CLAIM

The ornamental design for toy building element, as shown and described.

DESCRIPTION

FIG. 1 is a top perspective view of a toy building element showing my new design;
FIG. 2 is a bottom perspective view thereof;
FIG. 3 is a top plan view thereof;
FIG. 4 is a bottom plan view thereof;
FIG. 5 is a front elevational view thereof, the rear elevational view being identical; and,
FIG. 6 is a side elevational view thereof, the side opposite being identical.

[56] References Cited
U.S. PATENT DOCUMENTS
249,448 11/1881 Barnes D21/117
D. 285,707 9/1986 Dideriksen D21/108
D. 290,476 6/1987 Ryaa et al. D21/108
1,568,252 1/1926 Strub 446/85
1,621,178 3/1927 Strub 446/85
3,162,973 12/1964 Christiansen D21/108



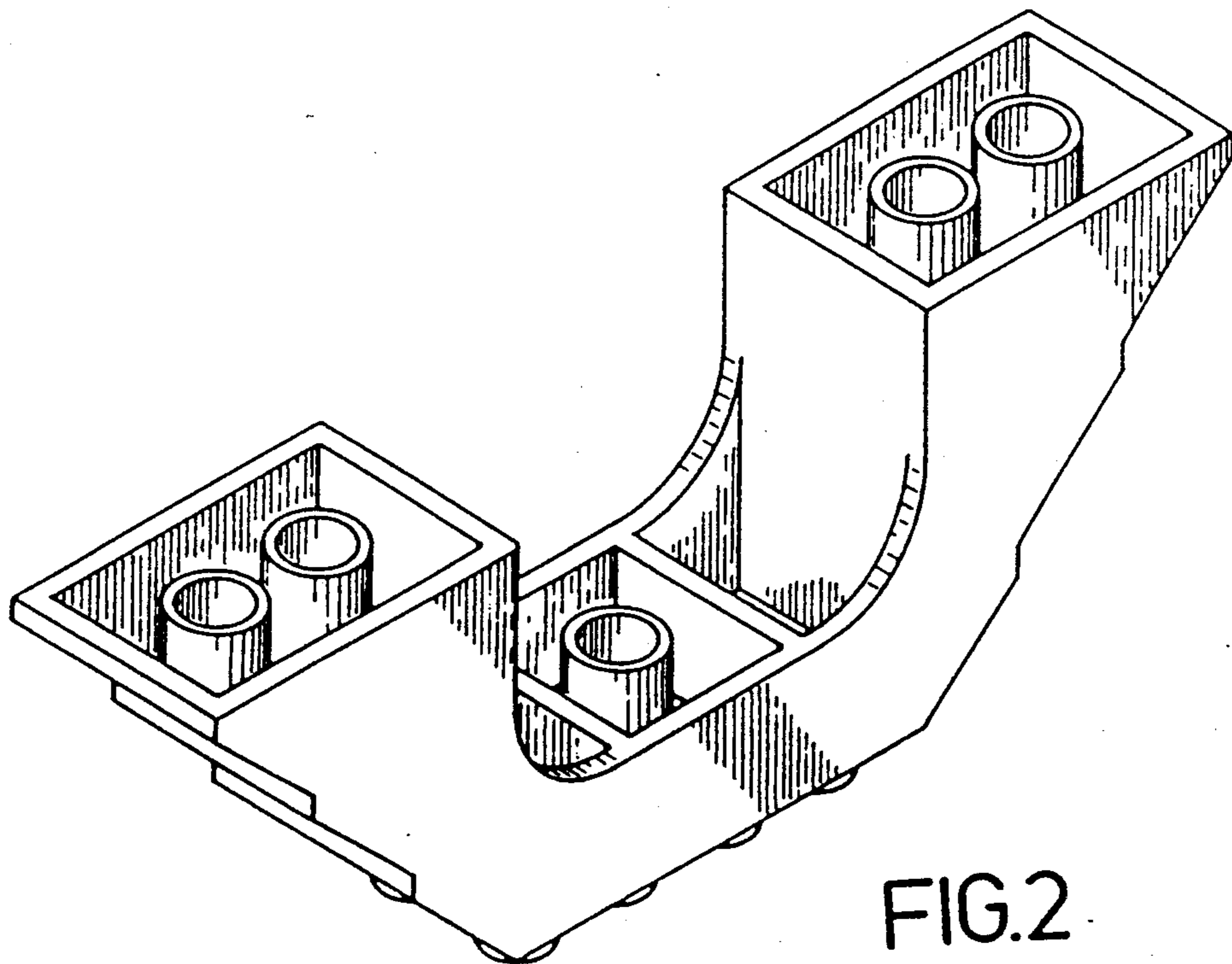
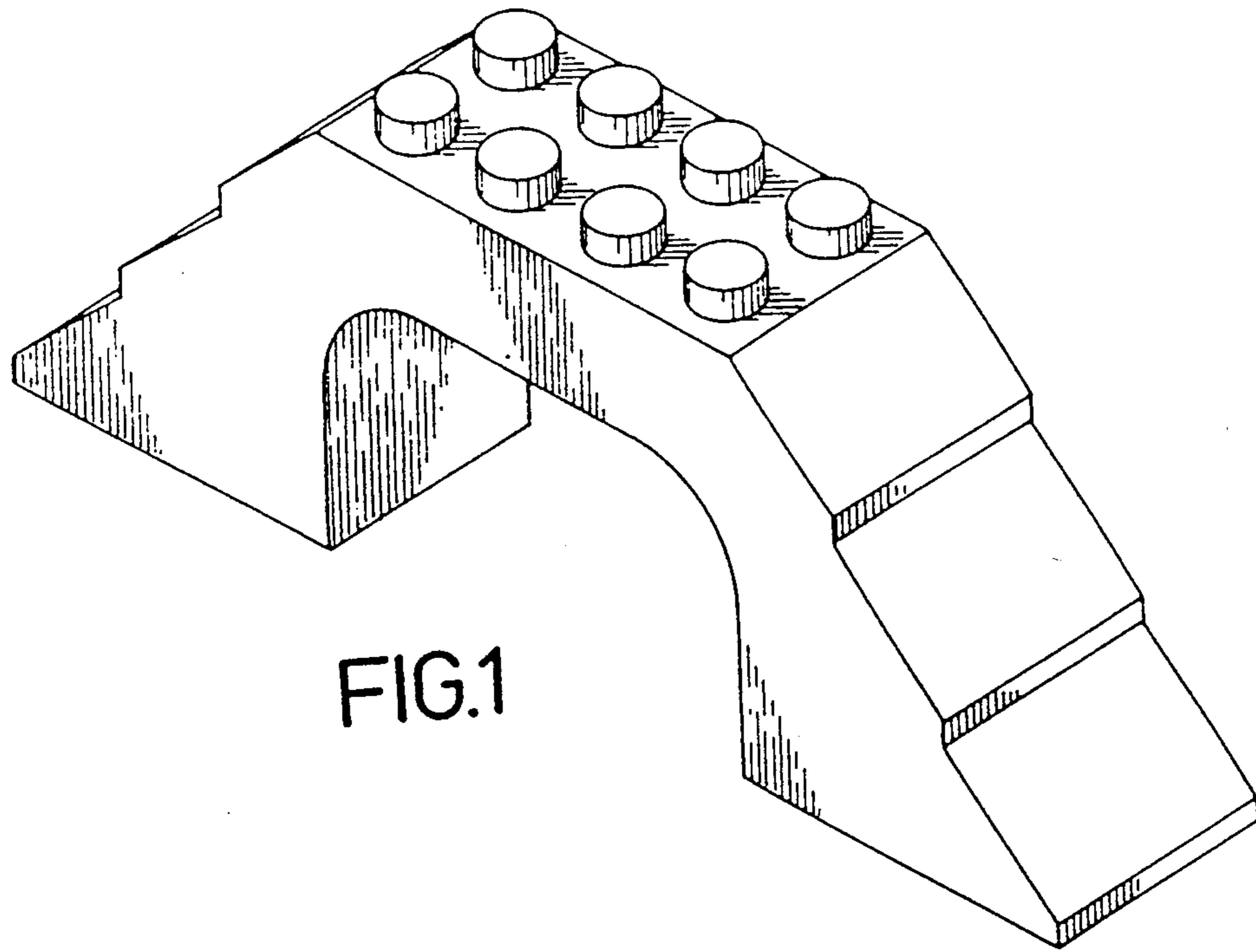




FIG. 6

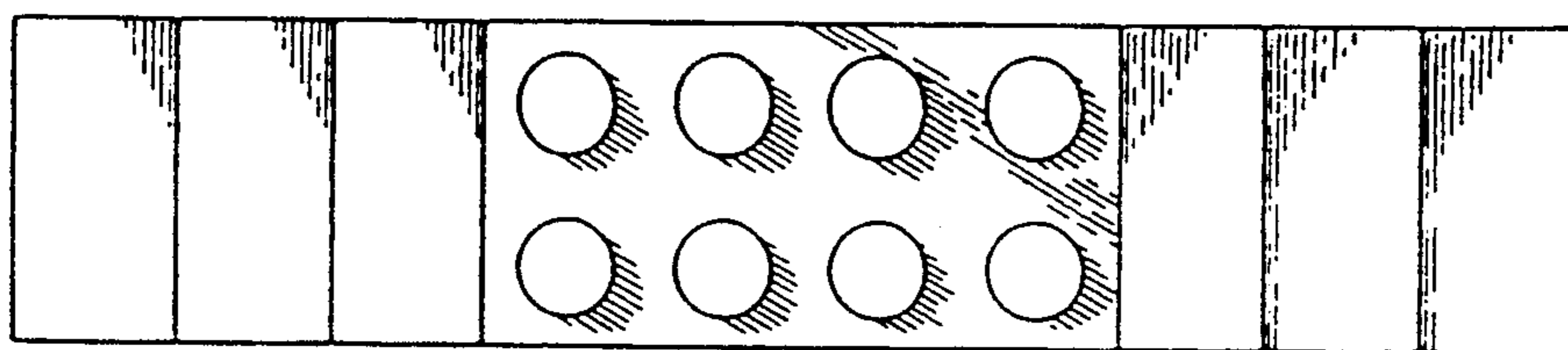


FIG. 3

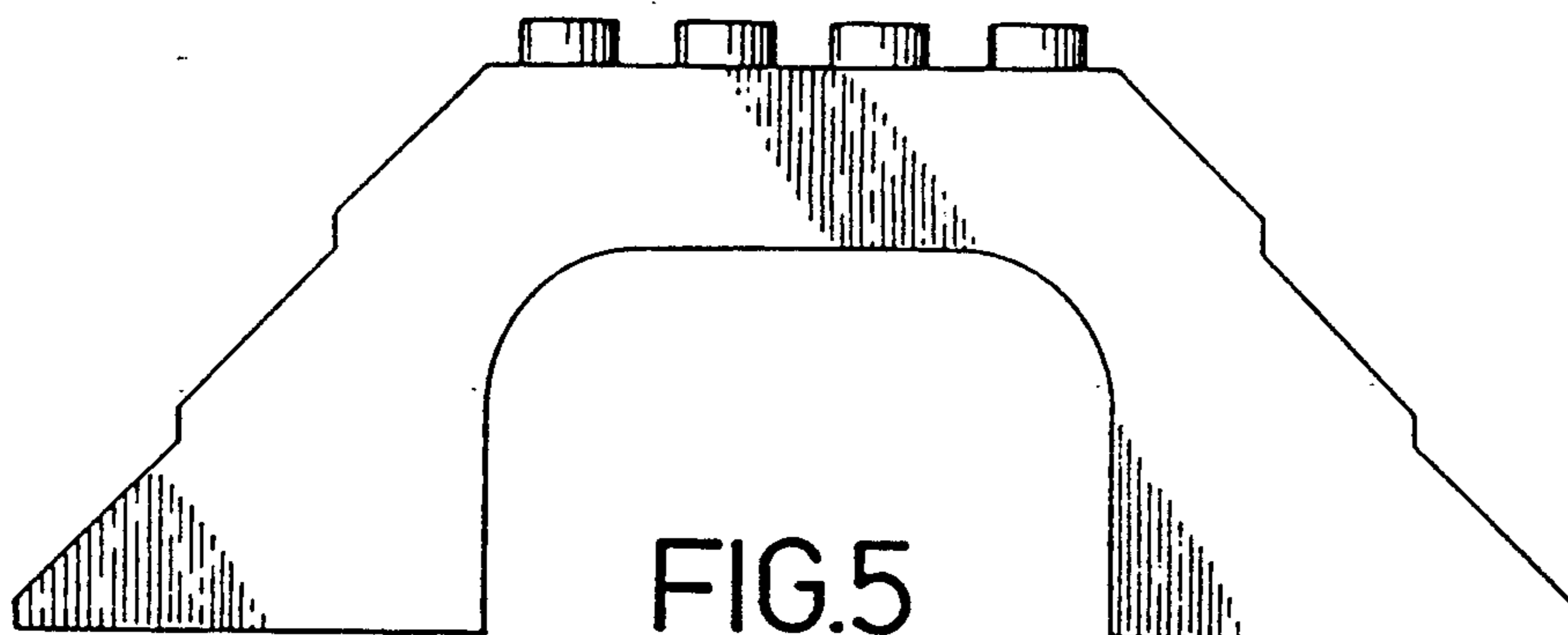


FIG. 5

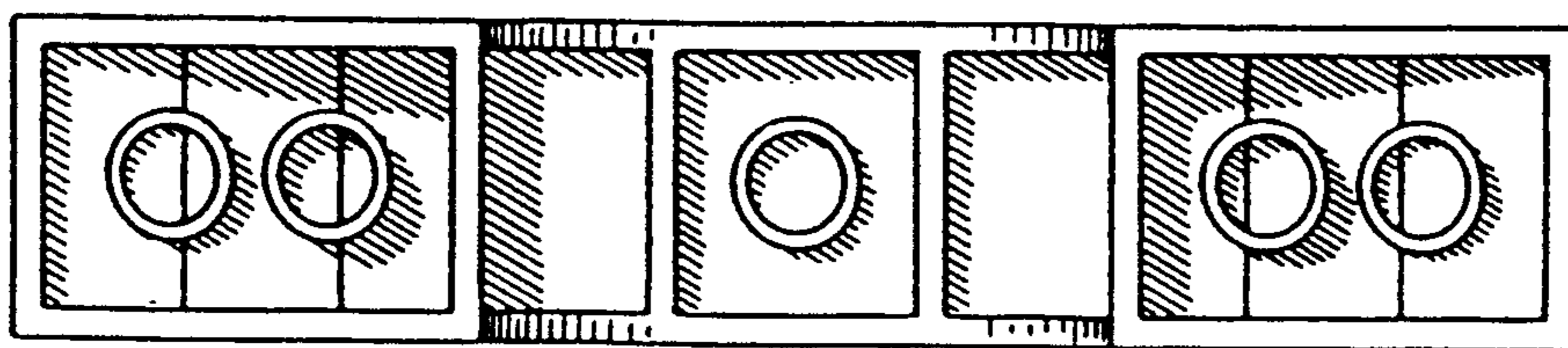


FIG. 4