

[54] TAPE DISPENSER

[76] Inventor: Jang L. En, No. 68, Ruey Jwu Rd.,  
Ruey Fang Jenn, Taipei Shiann,  
Taiwan

[\*\*] Term: 14 Years

[21] Appl. No.: 180,039

[22] Filed: Apr. 11, 1988

[52] U.S. Cl. .... D19/69

[58] Field of Search ..... D19/67, 68, 69; 225/6,  
225/19, 45, 56, 65, 77; 312/38, 39

[56] References Cited

U.S. PATENT DOCUMENTS

- D. 118,629 1/1940 Reinecke ..... D19/69
- D. 141,220 5/1945 Preble, Jr. .... D19/69
- D. 147,582 9/1947 Dailey ..... D19/69
- D. 164,556 9/1951 Donkin ..... D19/69

- D. 170,429 9/1953 Reinecke ..... D19/69
- D. 179,196 11/1956 Gershen ..... D19/69
- D. 188,636 8/1960 Ballato ..... D19/69

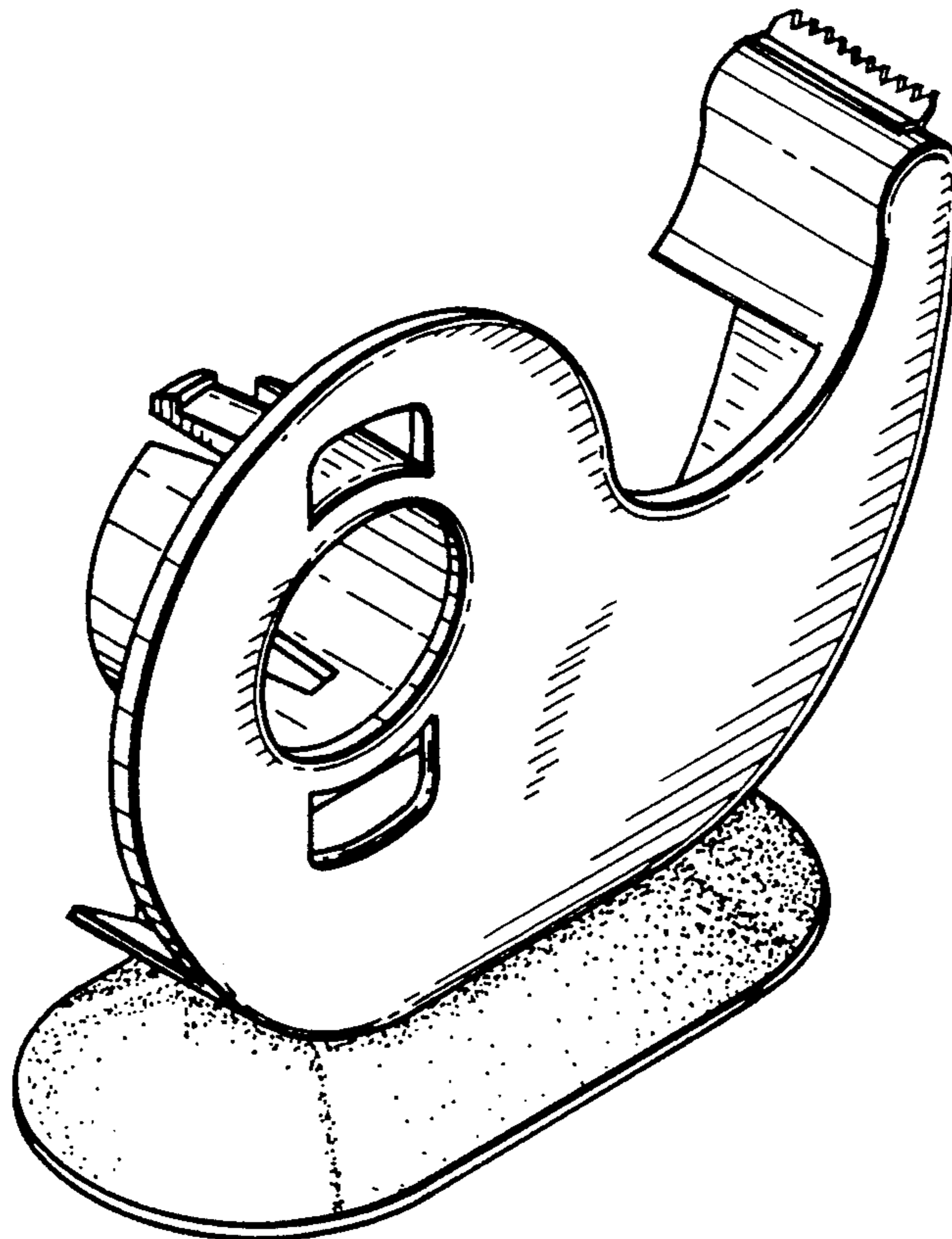
Primary Examiner—Nelson C. Holtje  
Assistant Examiner—Martha Thompson  
Attorney, Agent, or Firm—Bacon & Thomas

[57] CLAIM

The ornamental design for a tape dispenser, as shown.

DESCRIPTION

FIG. 1 is a perspective view of a tape dispenser showing my new design;  
FIG. 2 is a front elevational view thereof;  
FIG. 3 is a rear elevational view thereof;  
FIG. 4 is a top plan view thereof;  
FIG. 5 is a bottom plan view thereof;  
FIG. 6 is a left side elevational view thereof; and  
FIG. 7 is a right side elevational view thereof.



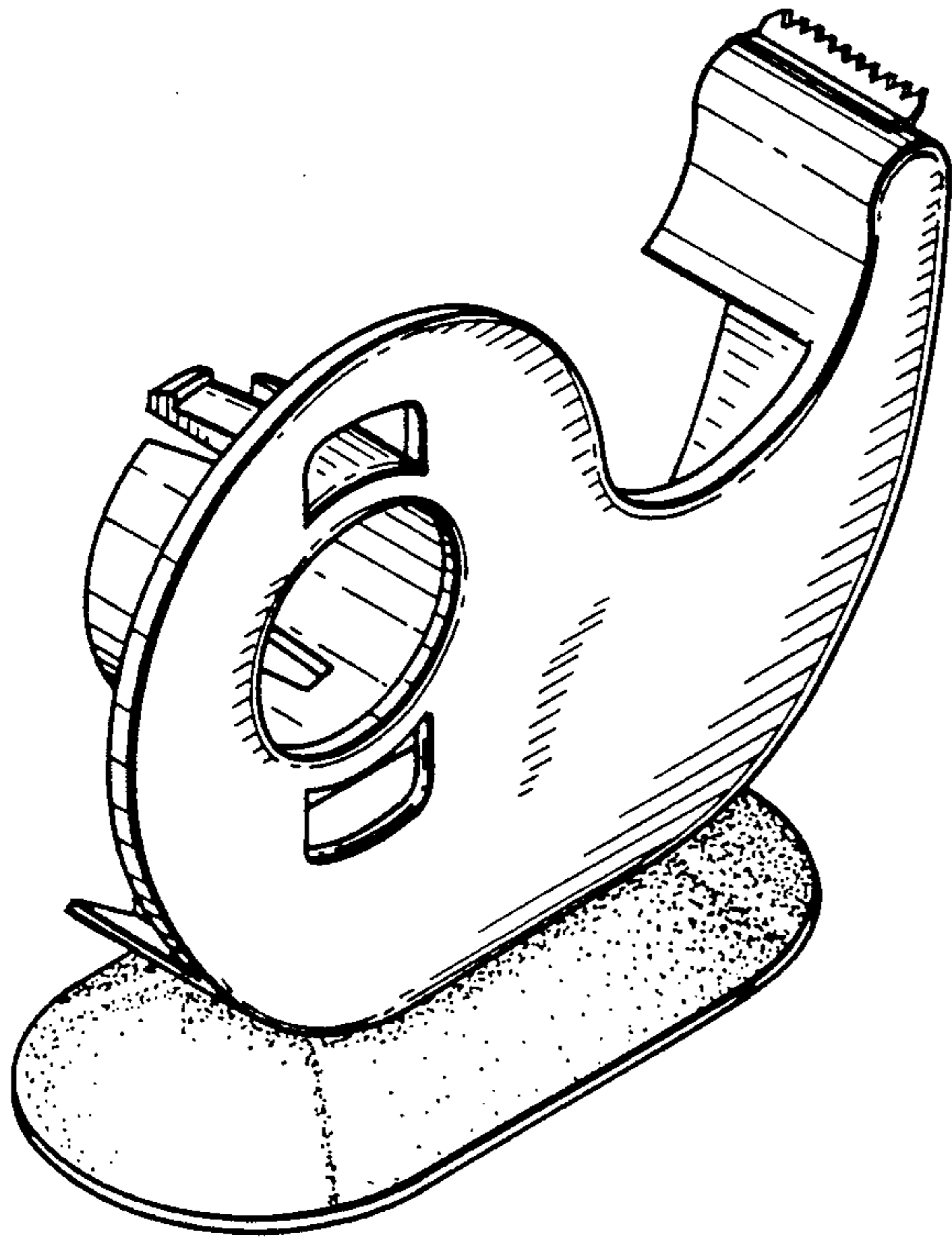


FIG. 1

FIG. 2

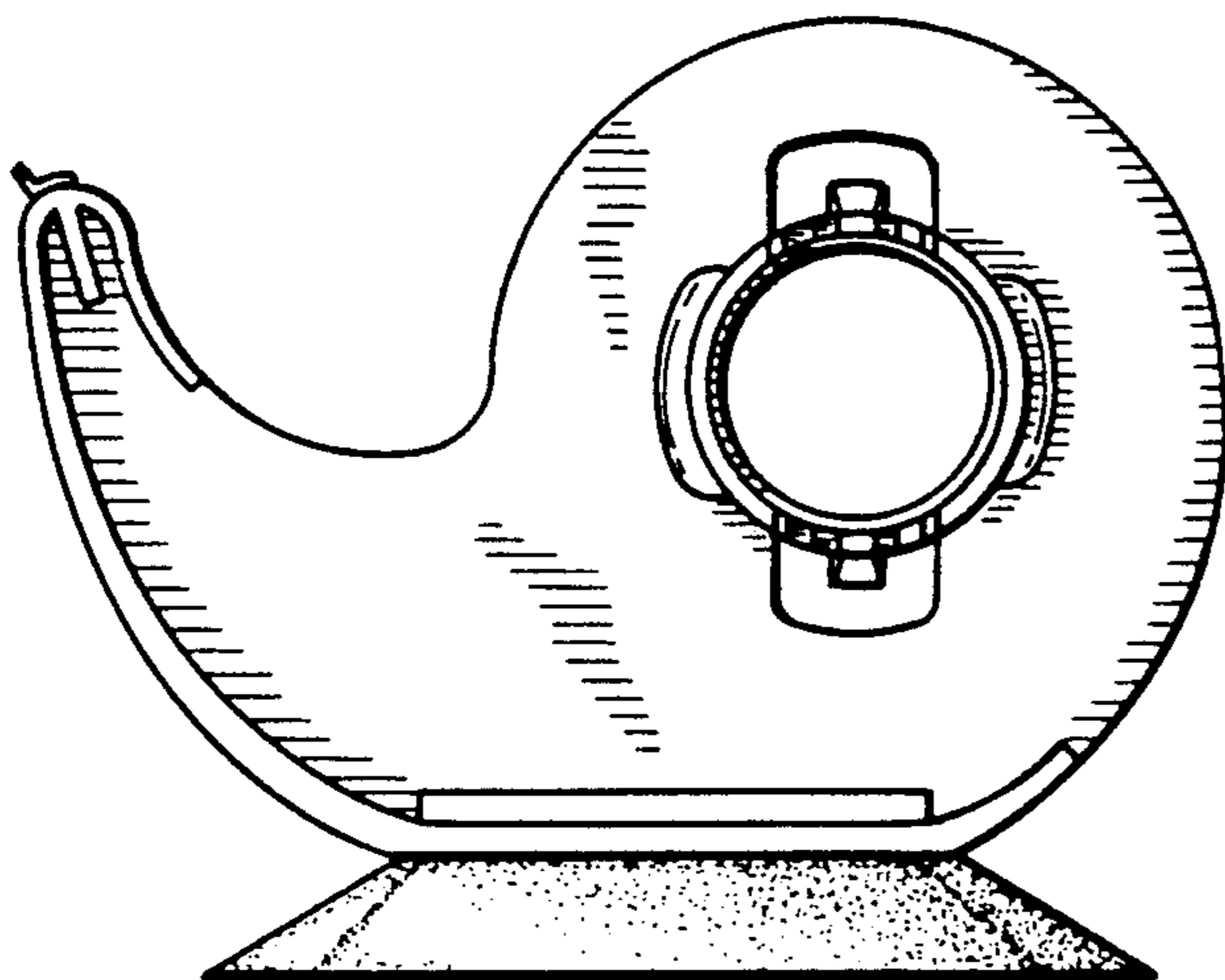
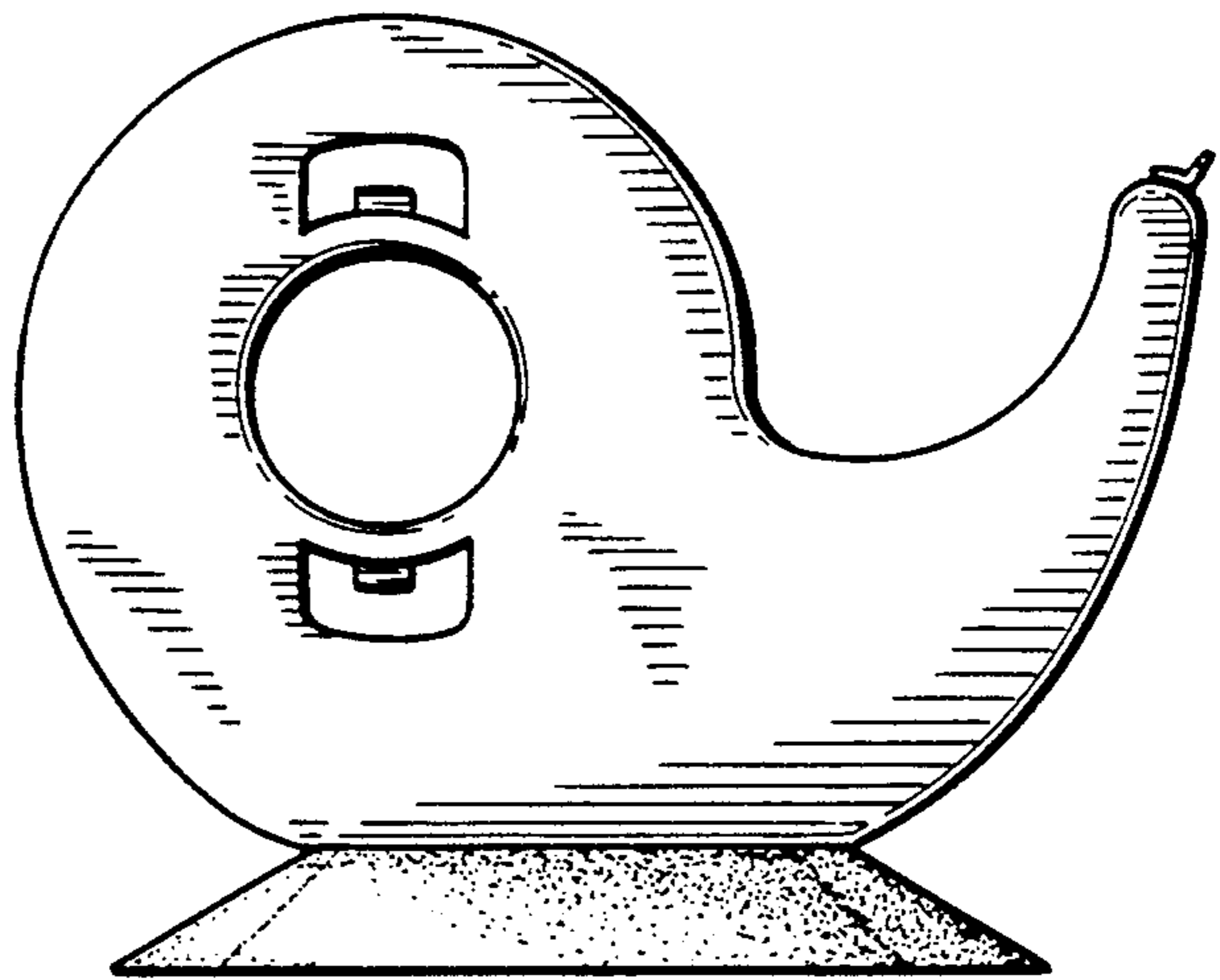


FIG. 3

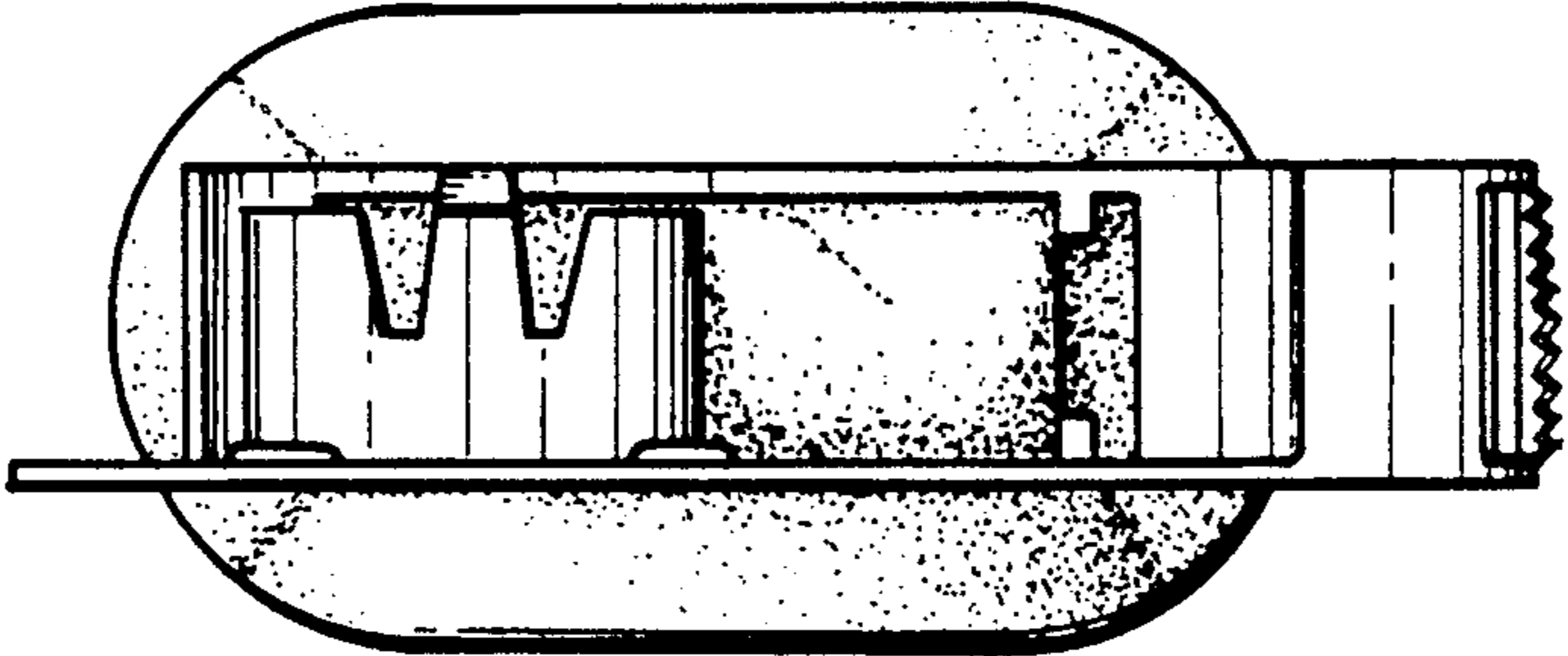


FIG. 4

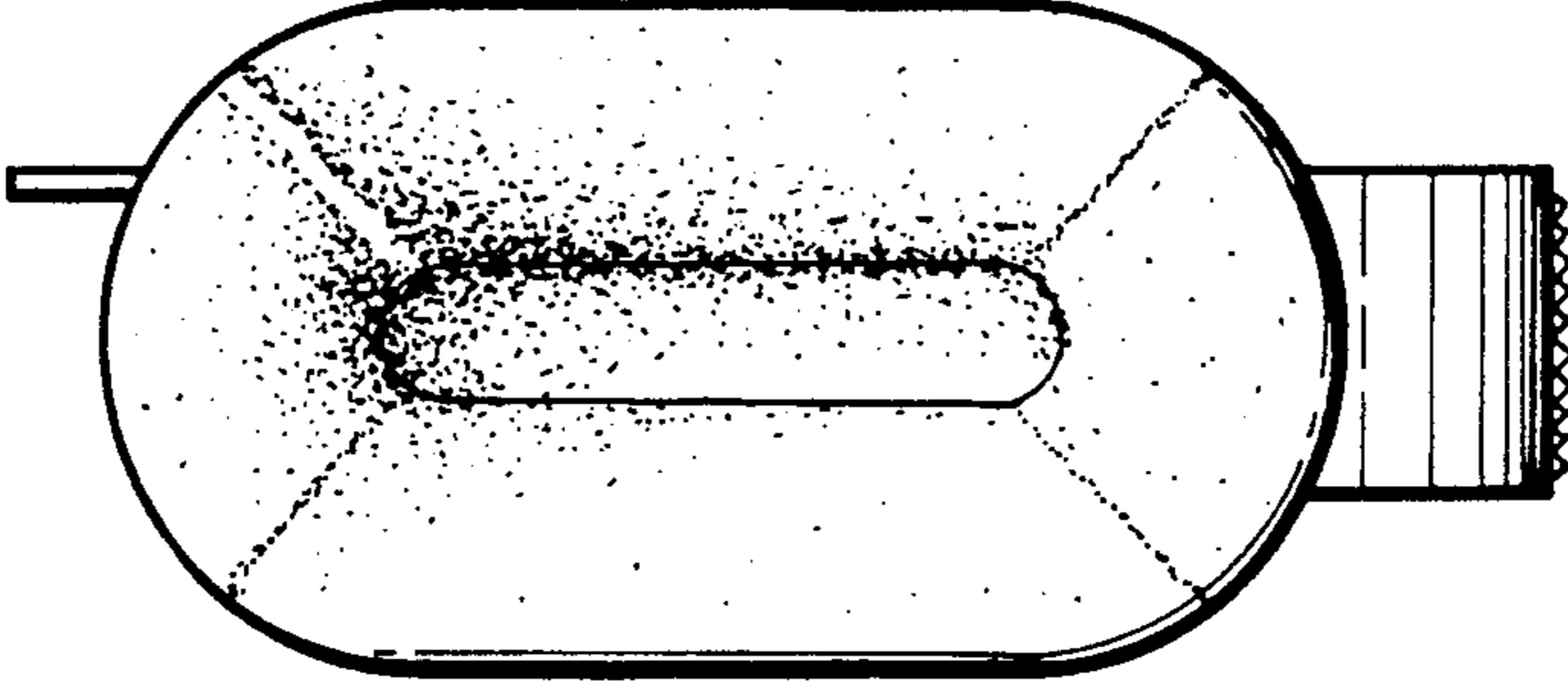


FIG. 5

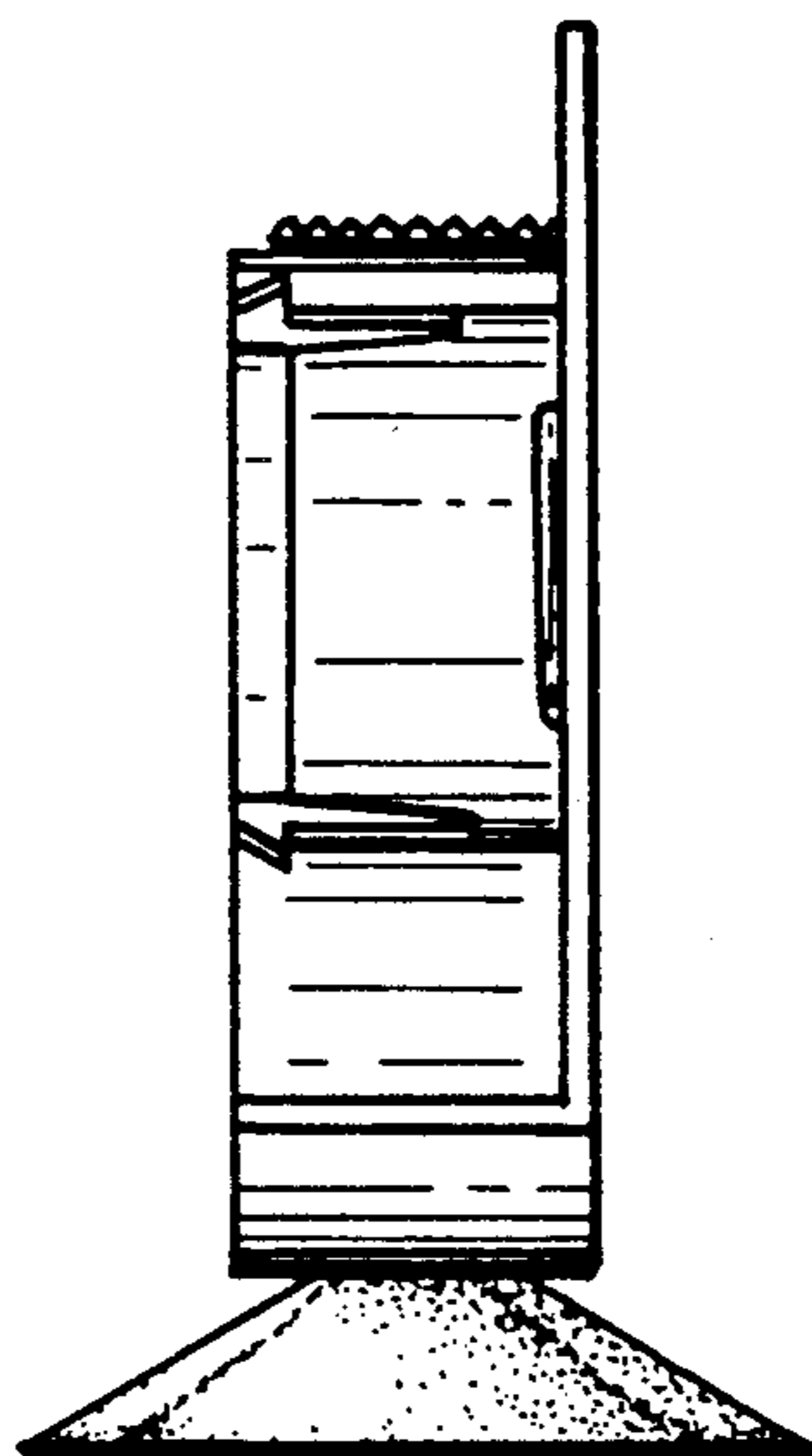


FIG. 6

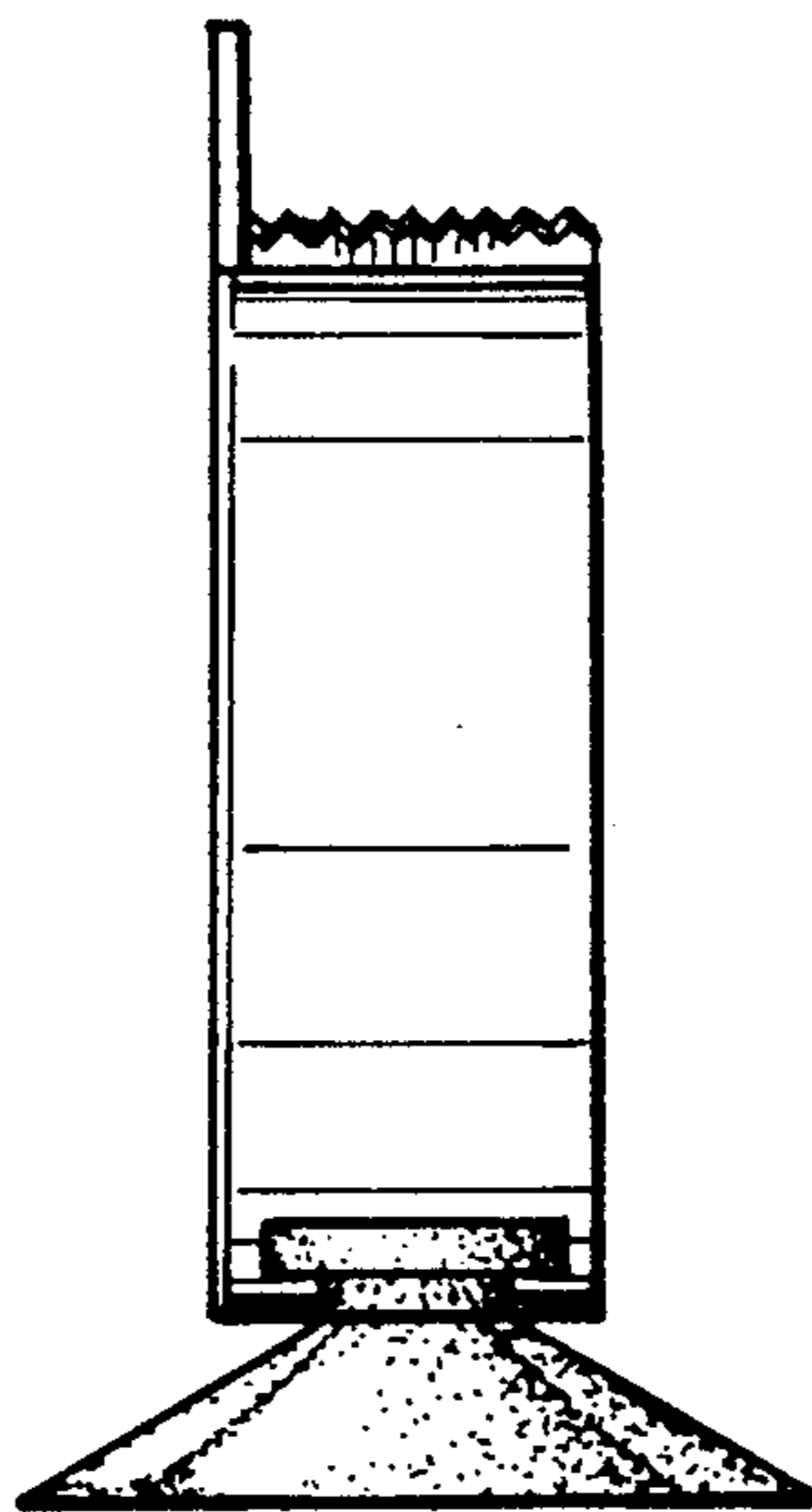


FIG. 7