

[54] MODULAR PRINTER, OR SIMILAR ARTICLE

[75] Inventors: Darald R. Schultz; George E. Chadima, Jr., both of Cedar Rapids, Iowa

[73] Assignee: Norand Corporation, Cedar Rapids, Iowa

[**] Term: 14 Years

[21] Appl. No.: 216,868

[22] Filed: Jul. 8, 1988

[52] U.S. Cl. D18/13

[58] Field of Search D18/4, 13; D14/100, D14/101, 111, 115, 118; 400/613, 613.2-613.4, 691-694; 364/708

[56] References Cited

U.S. PATENT DOCUMENTS

D. 270,732	9/1983	Brown et al.	D18/13
D. 276,342	11/1984	Kitai	D14/111
D. 282,470	2/1986	Dayton	D18/13
D. 292,405	10/1987	Kitani et al.	D14/111

Primary Examiner—A. Hugo Word
Assistant Examiner—Cathy Anne MacCormac
Attorney, Agent, or Firm—Neuman, Williams, Anderson & Olson

[57] CLAIM

The ornamental design for a modular printer or similar article, as shown and described.

DESCRIPTION

FIG. 1 is a perspective view taken from the top, front and right side of a modular printer or similar article showing our new design;
FIG. 2 is a left side elevational view thereof;
FIG. 3 is a rear elevational view thereof;
FIG. 4 is a top plan view thereof;
FIG. 5 is a right side elevational view thereof;
FIG. 6 is a front elevational view thereof;
FIG. 7 is a perspective view taken from the top, front and right side of a second embodiment of FIG. 1;
FIG. 8 is a front elevational view of FIG. 7;
FIG. 9 is a right side elevational view of FIG. 7;
FIG. 10 is a top plan view of FIG. 7;
FIG. 11 is a rear elevational view of FIG. 7; and
FIG. 12 is a left side elevational view of FIG. 7.

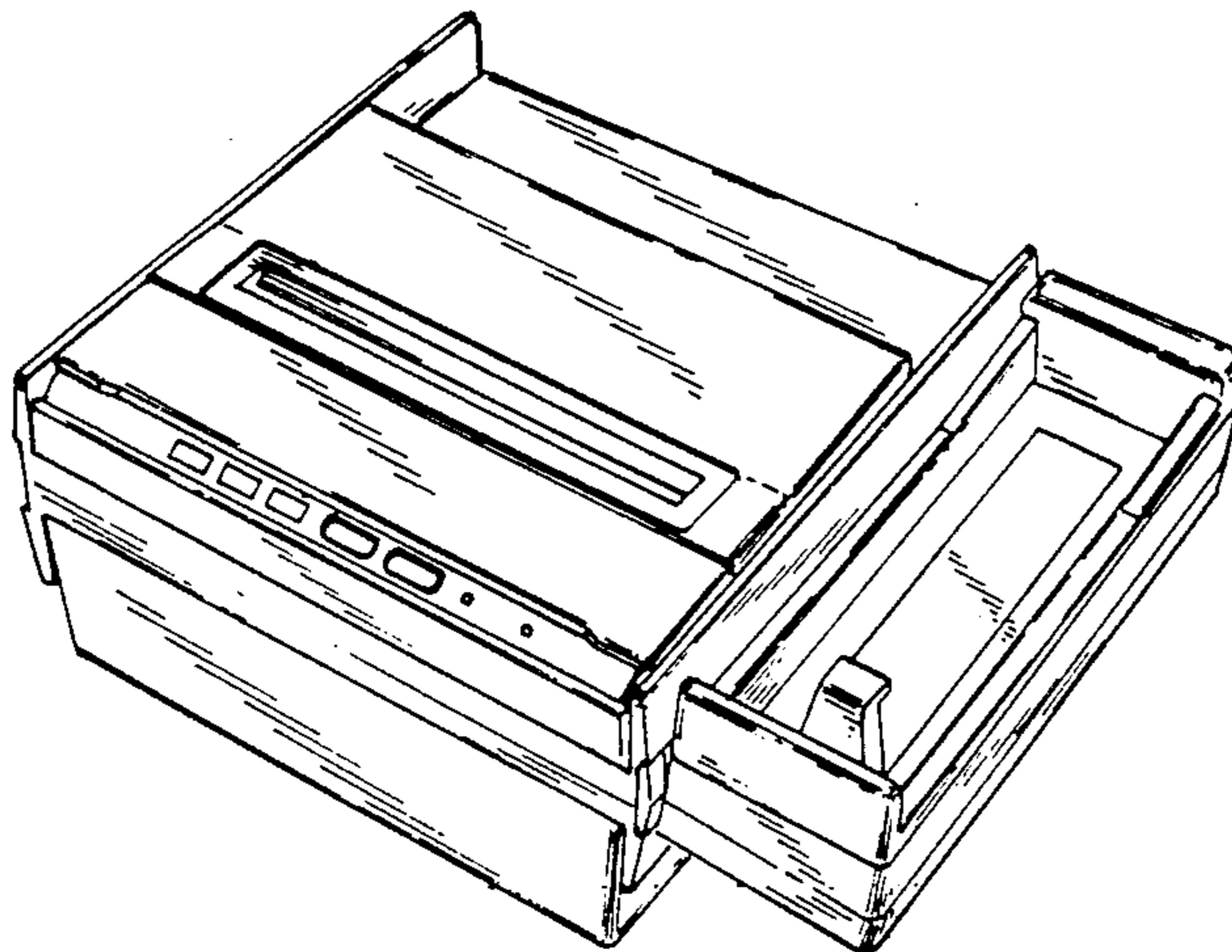
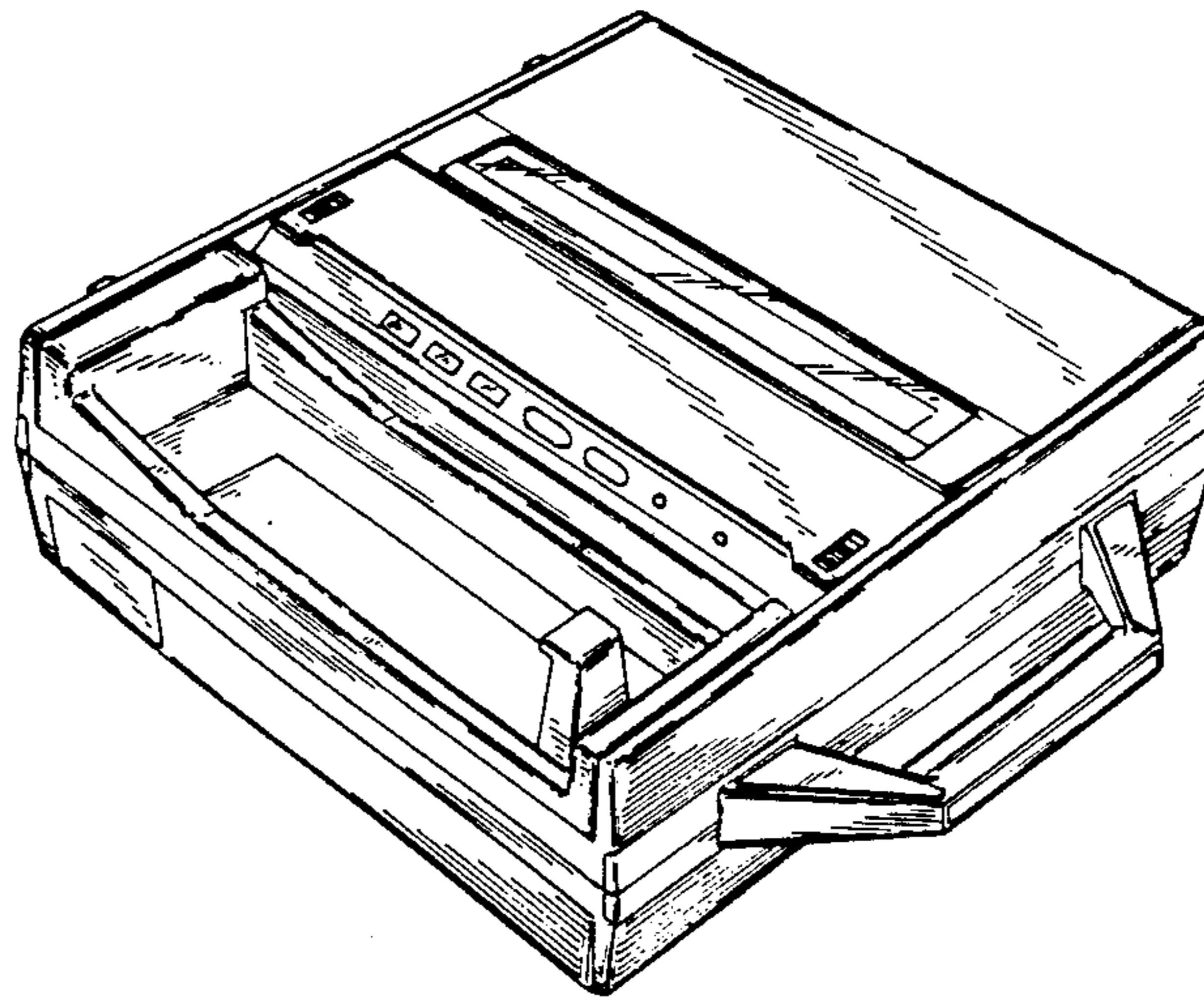


FIG. 1

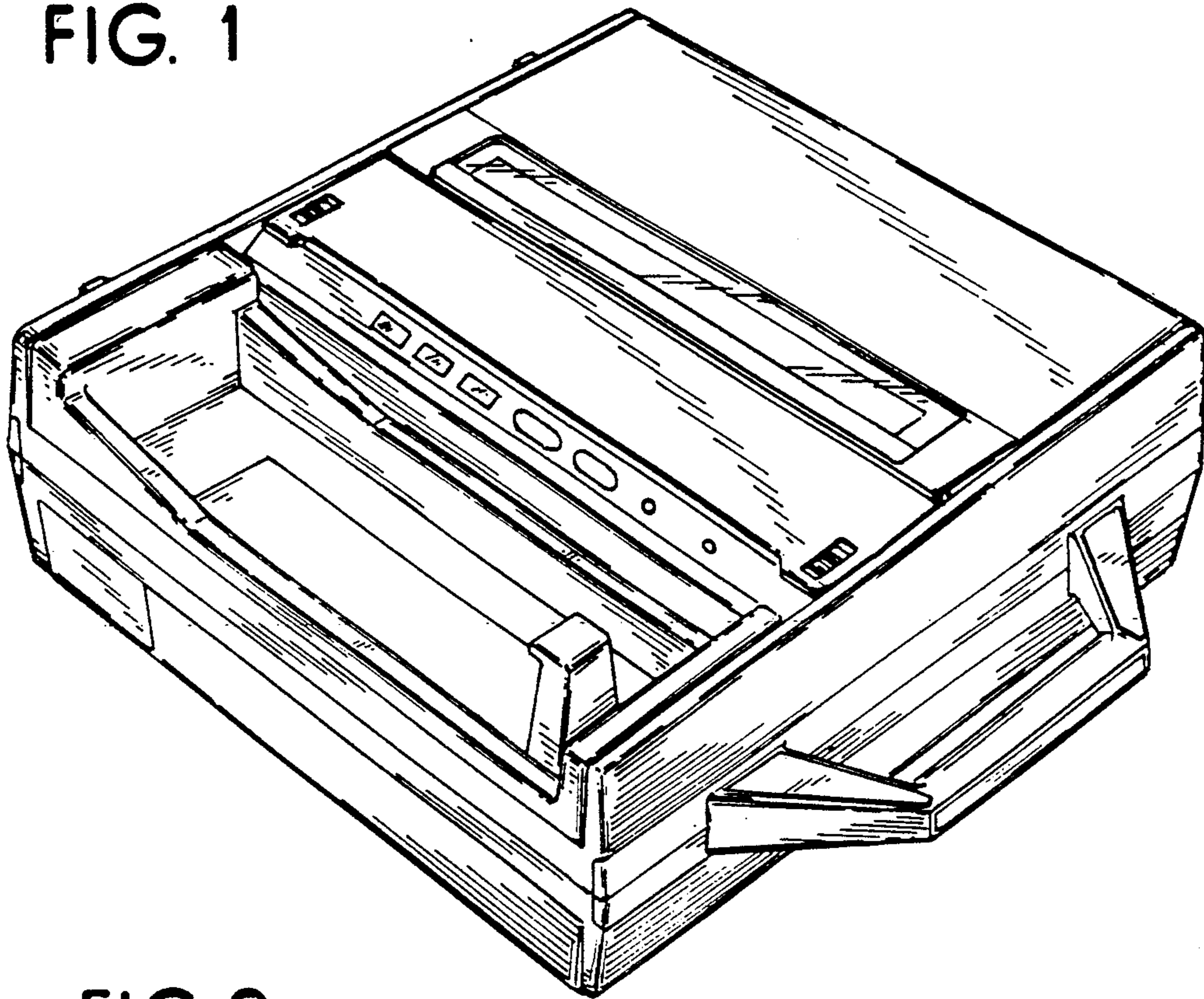


FIG. 2

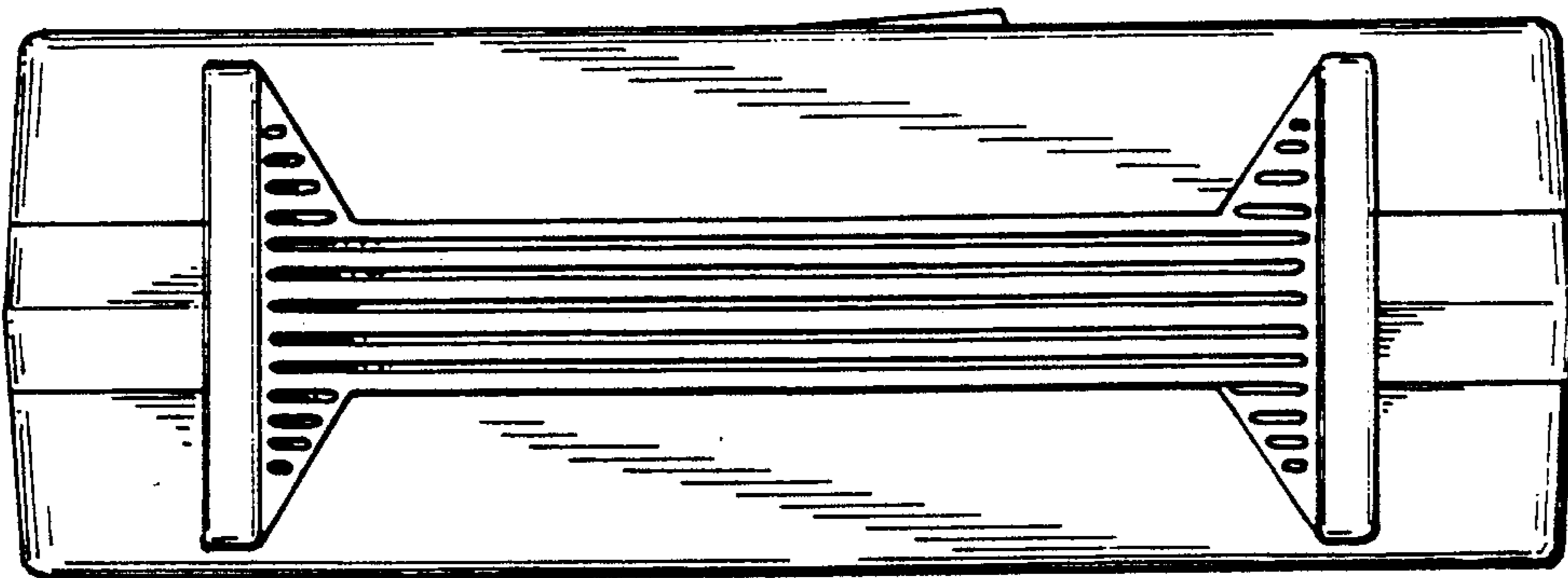
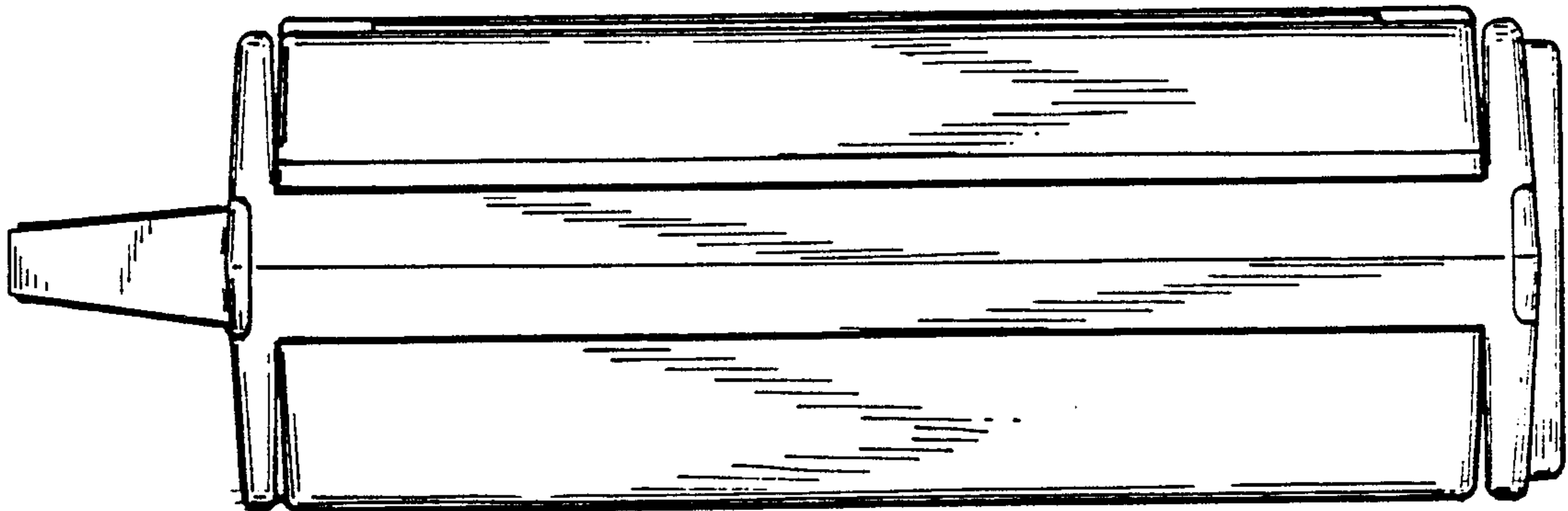


FIG. 3



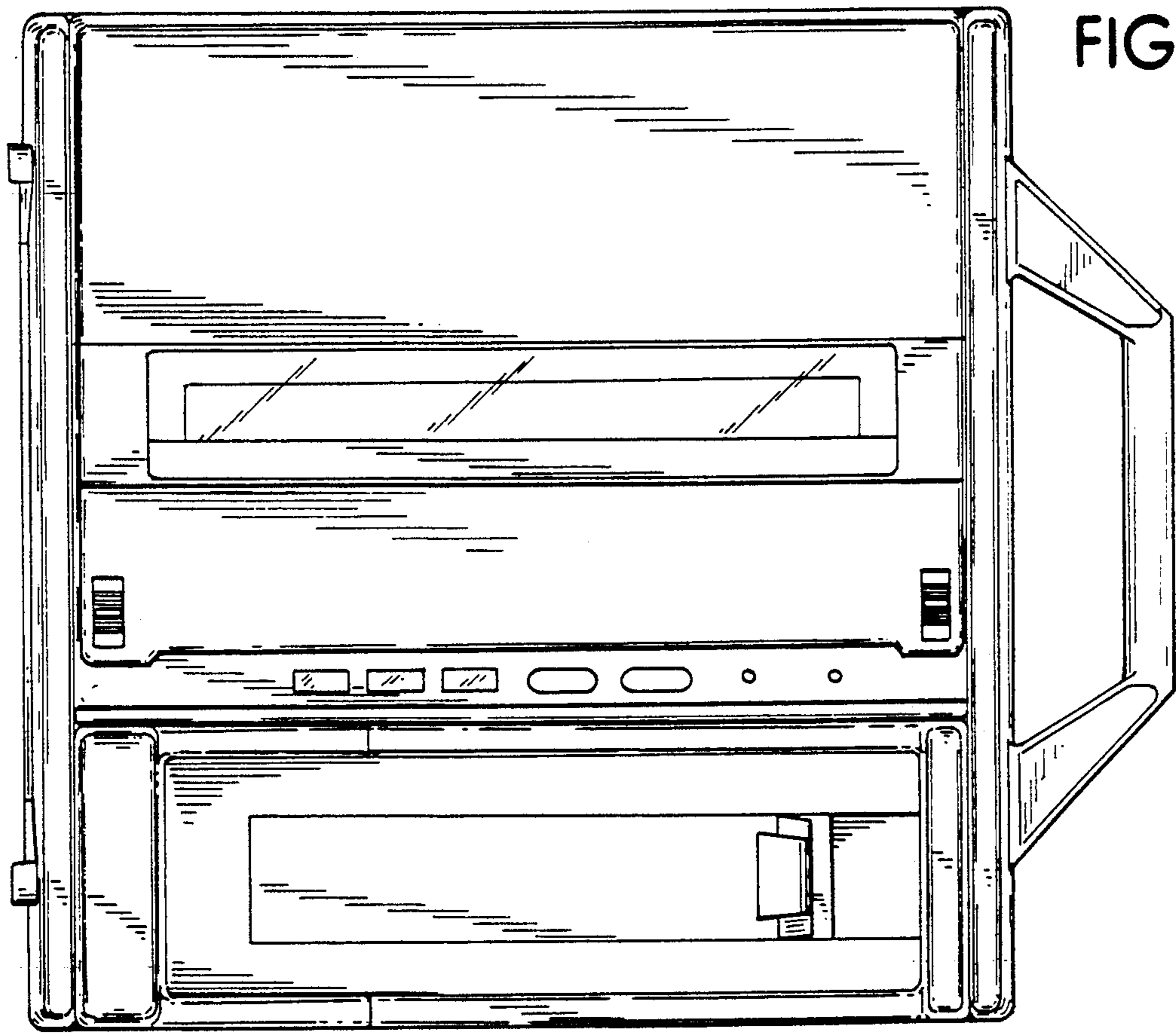


FIG. 4

FIG. 5

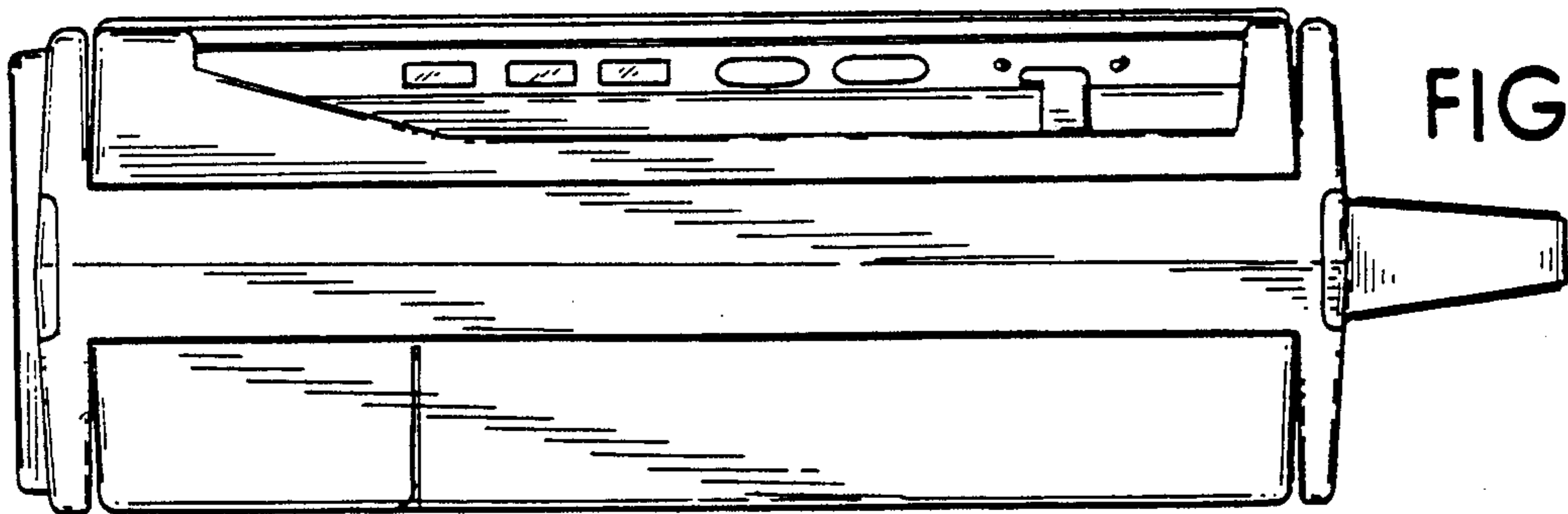
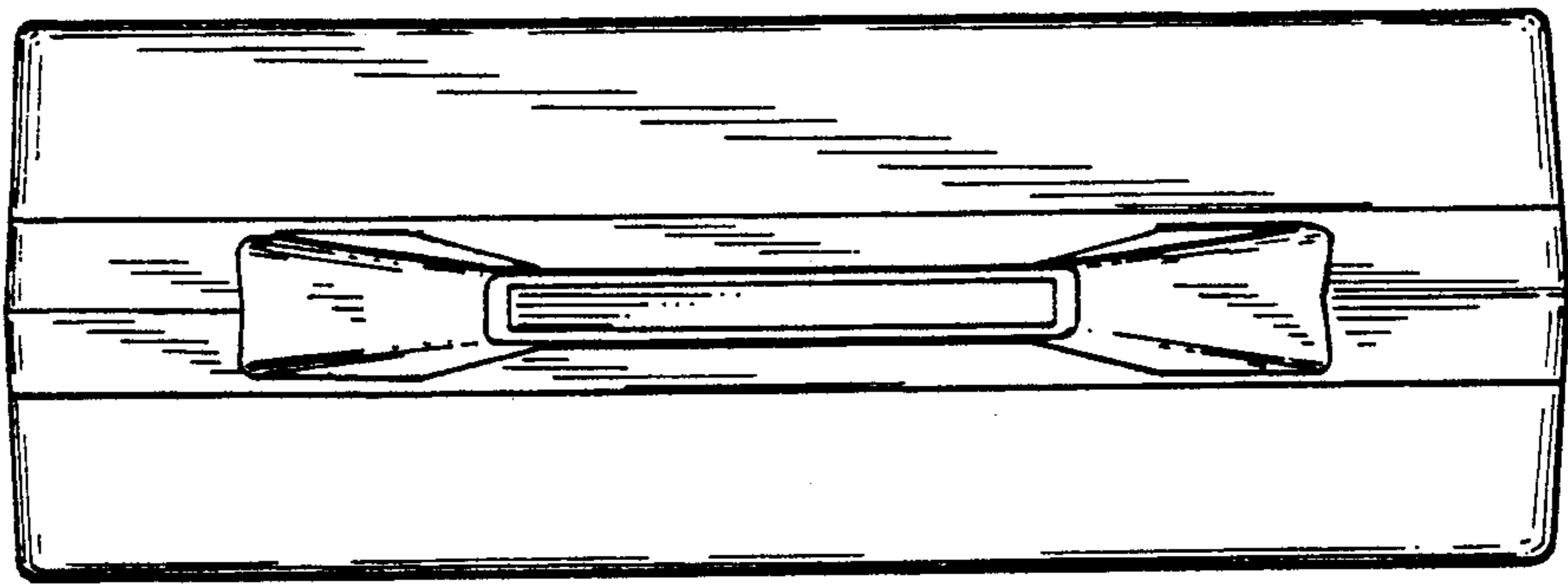


FIG. 6

FIG. 7

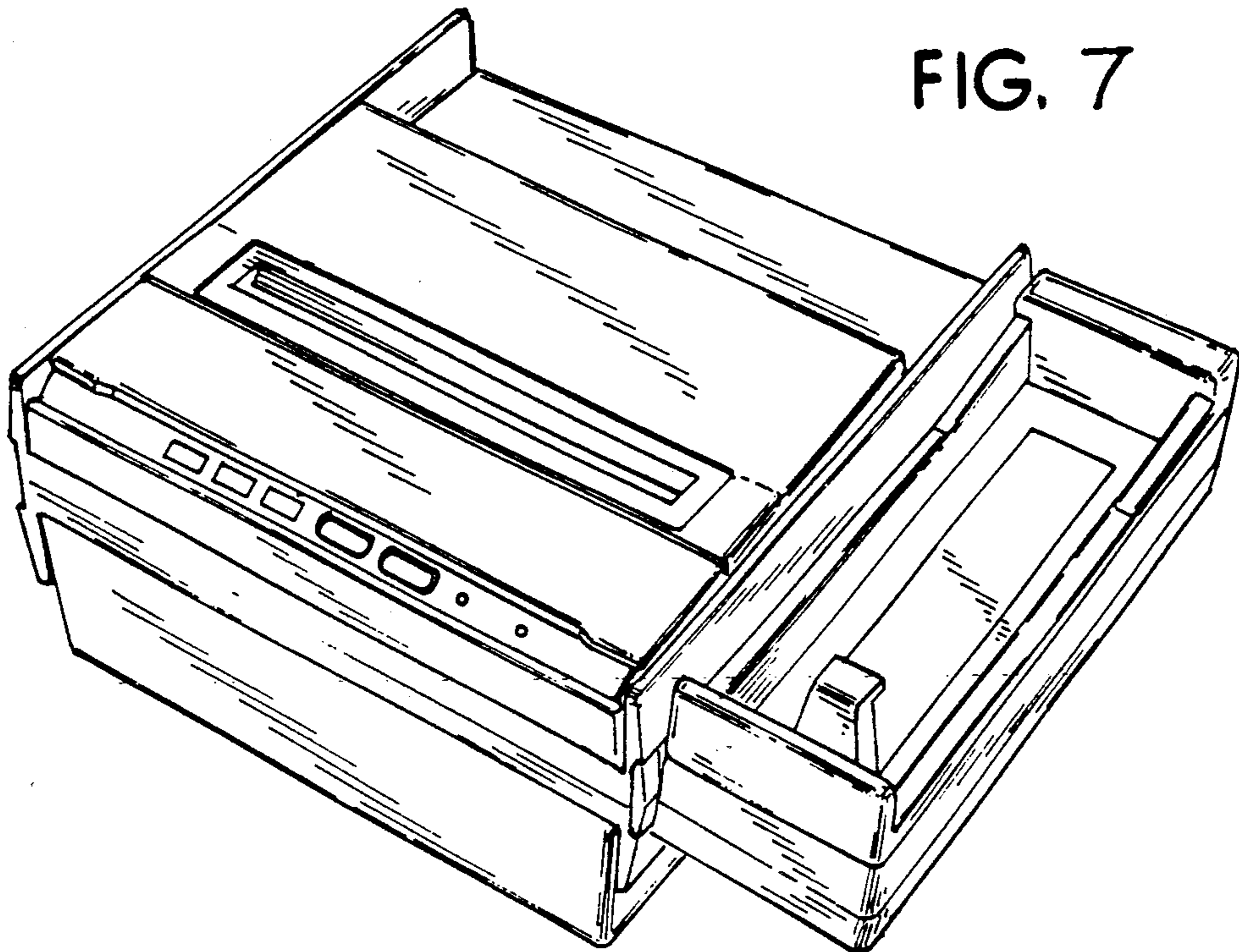


FIG. 8

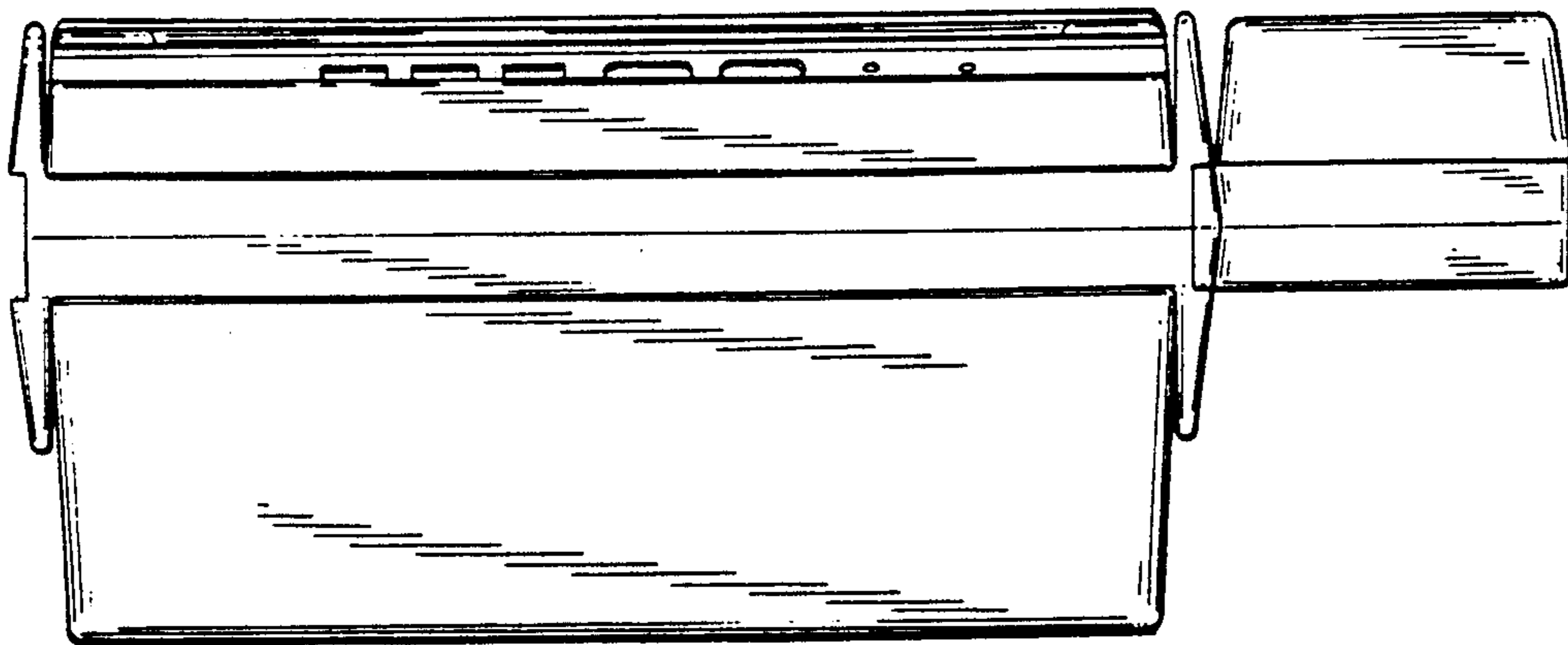


FIG. 9

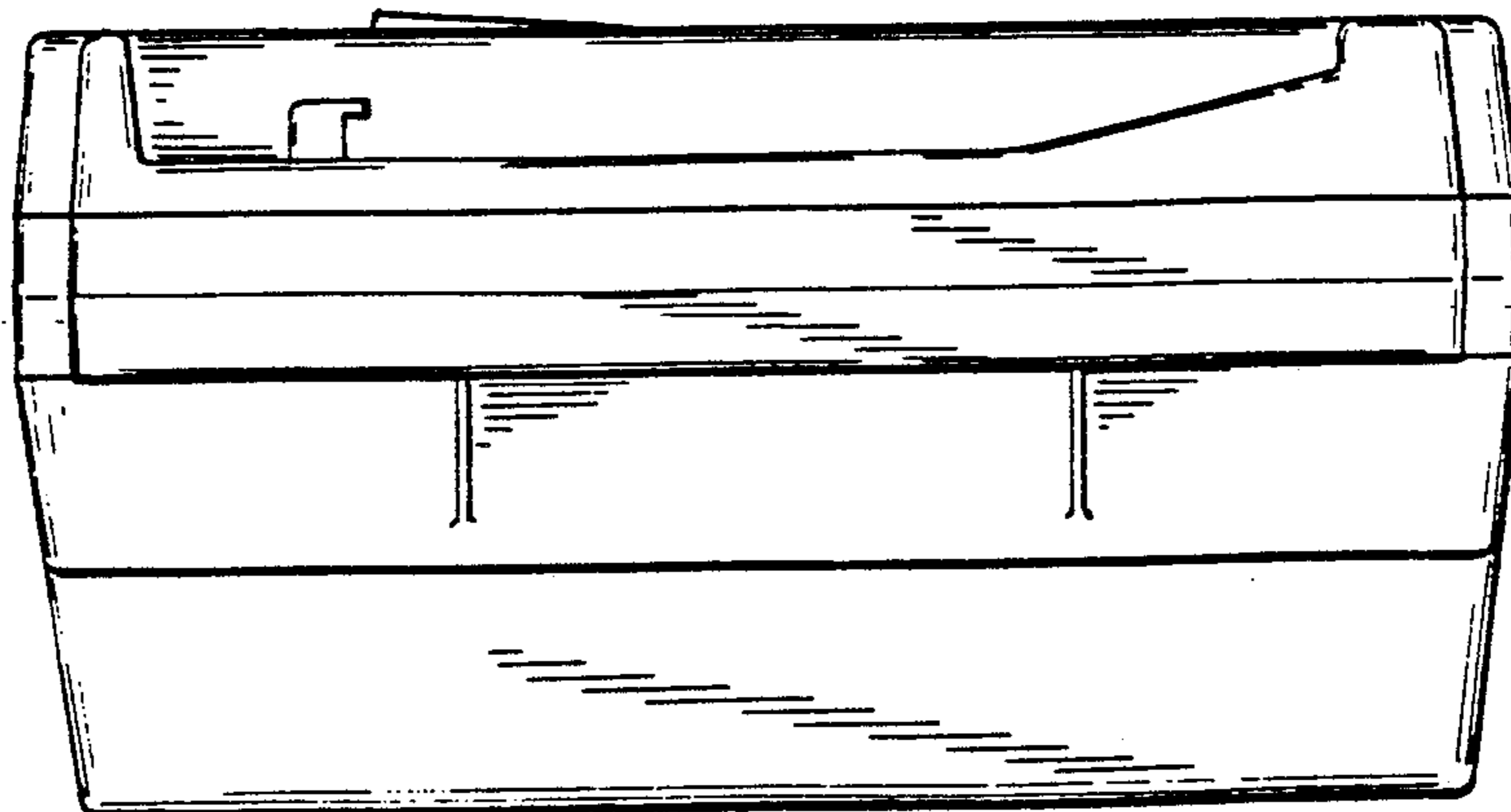


FIG. 10

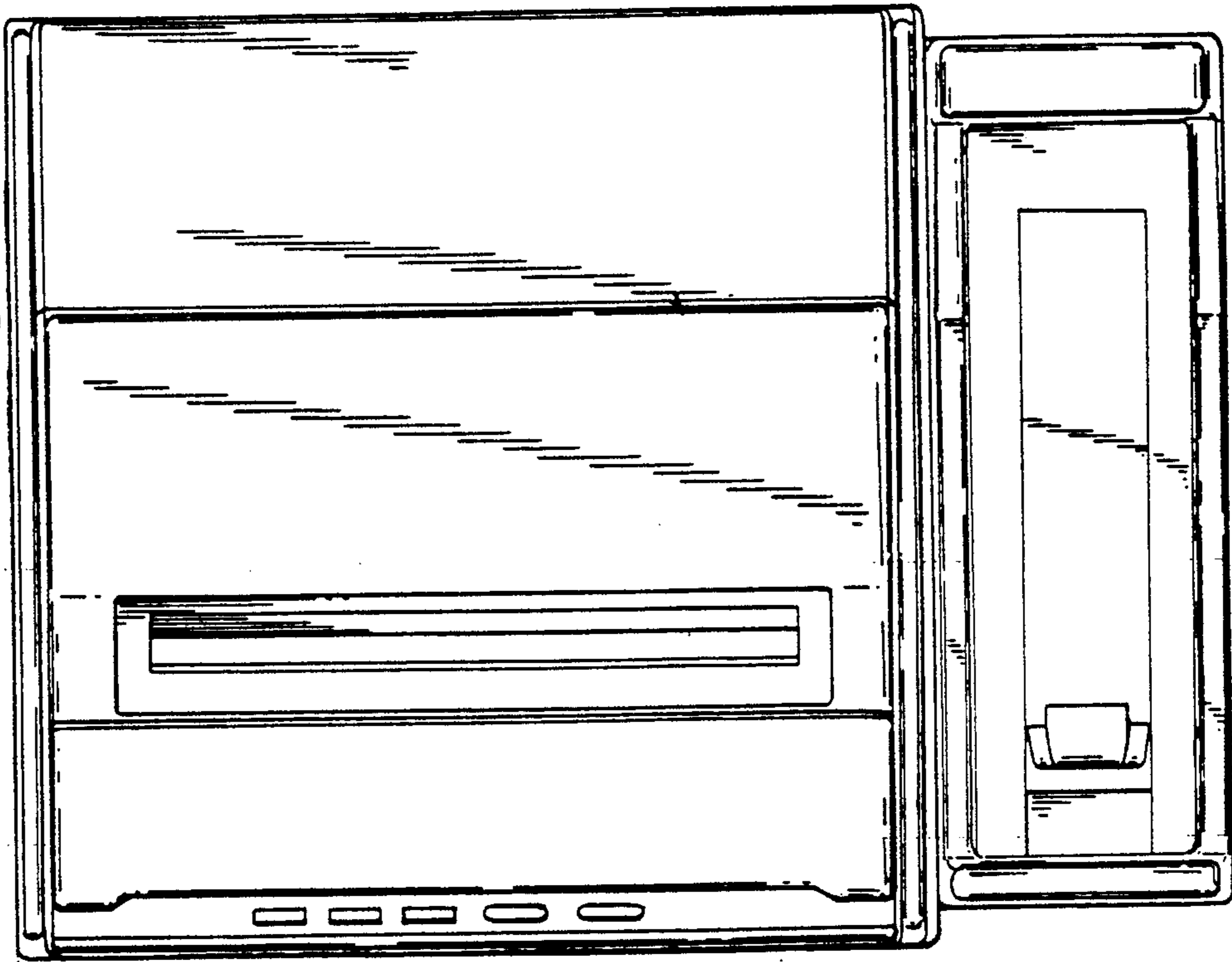


FIG. 11

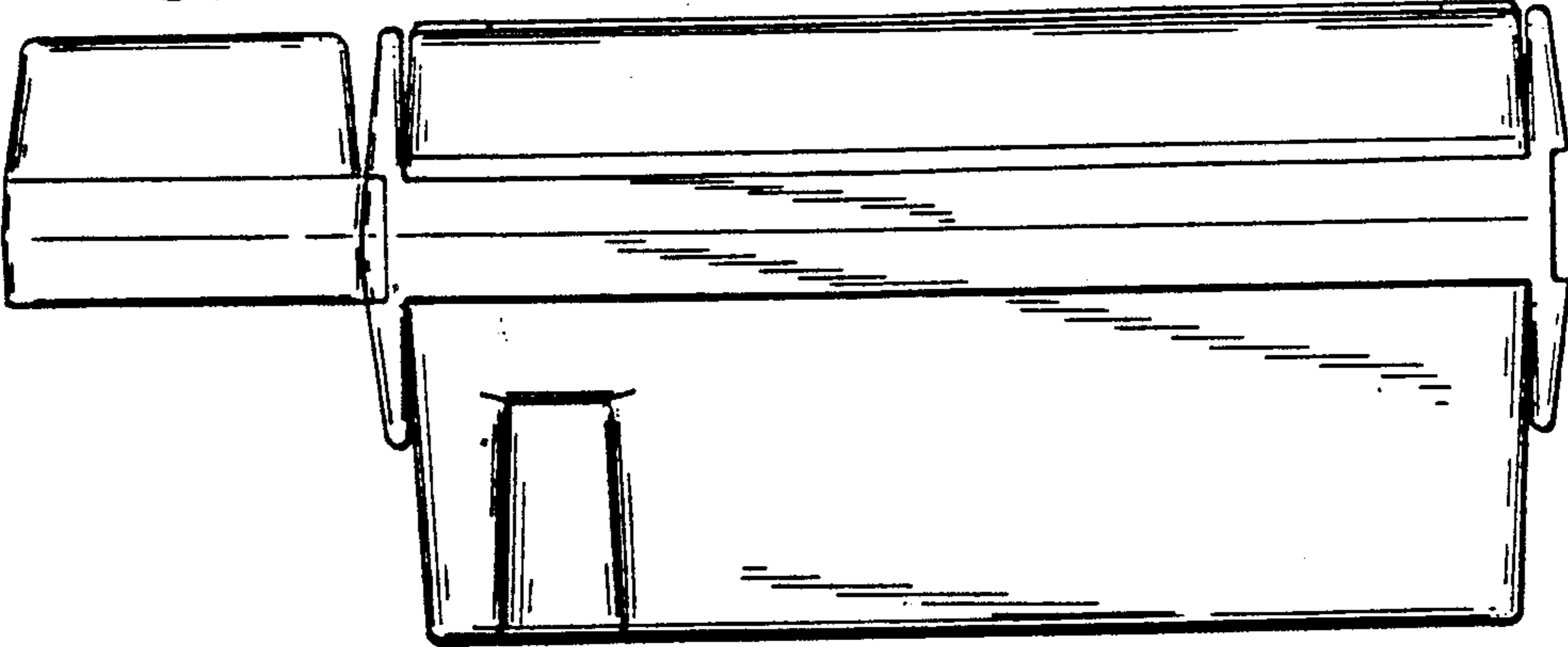


FIG. 12

