

[54] CHECK WRITING DEVICE

[76] Inventor: Edward Kayden, 5009 Woodman Ave., Apt. 302, Sherman Oaks, Calif. 91423

[\*\*] Term: 14 Years

[21] Appl. No.: 394,811

[22] Filed: Aug. 16, 1989

[52] U.S. Cl. .... D18/5

[58] Field of Search ..... D18/5; D14/112; 235/3, 235/17, 18, 19, 21, 58 CW; 101/95

[56] References Cited

U.S. PATENT DOCUMENTS

- D. 242,487 11/1976 Rice ..... D18/5
- D. 242,488 11/1976 Rice ..... D18/5
- D. 284,966 8/1986 Larkins ..... D14/100

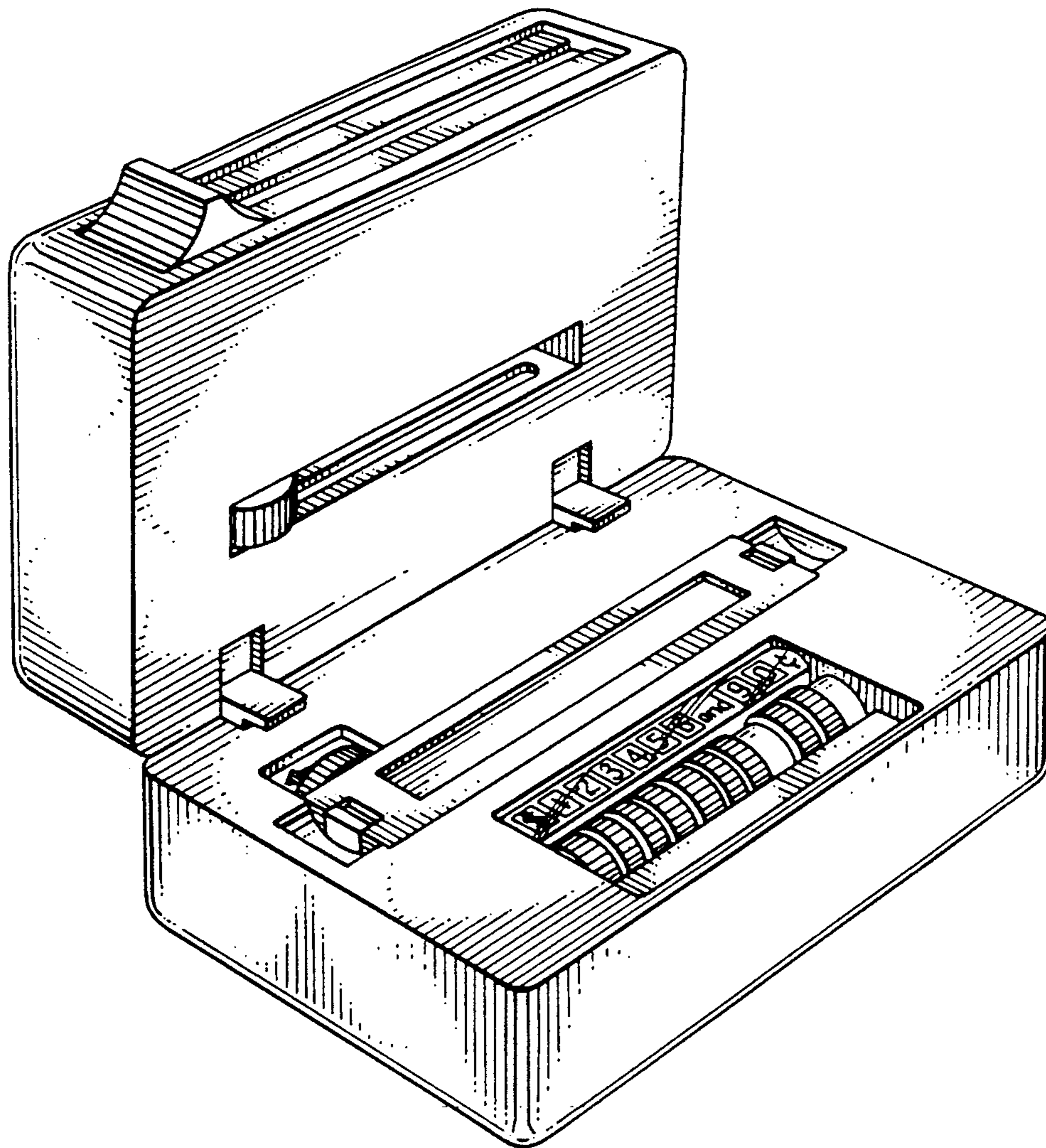
Primary Examiner—Nelson C. Holtje  
Assistant Examiner—Caron D. Veynar  
Attorney, Agent, or Firm—Fulwider, Patton, Lee & Utecht

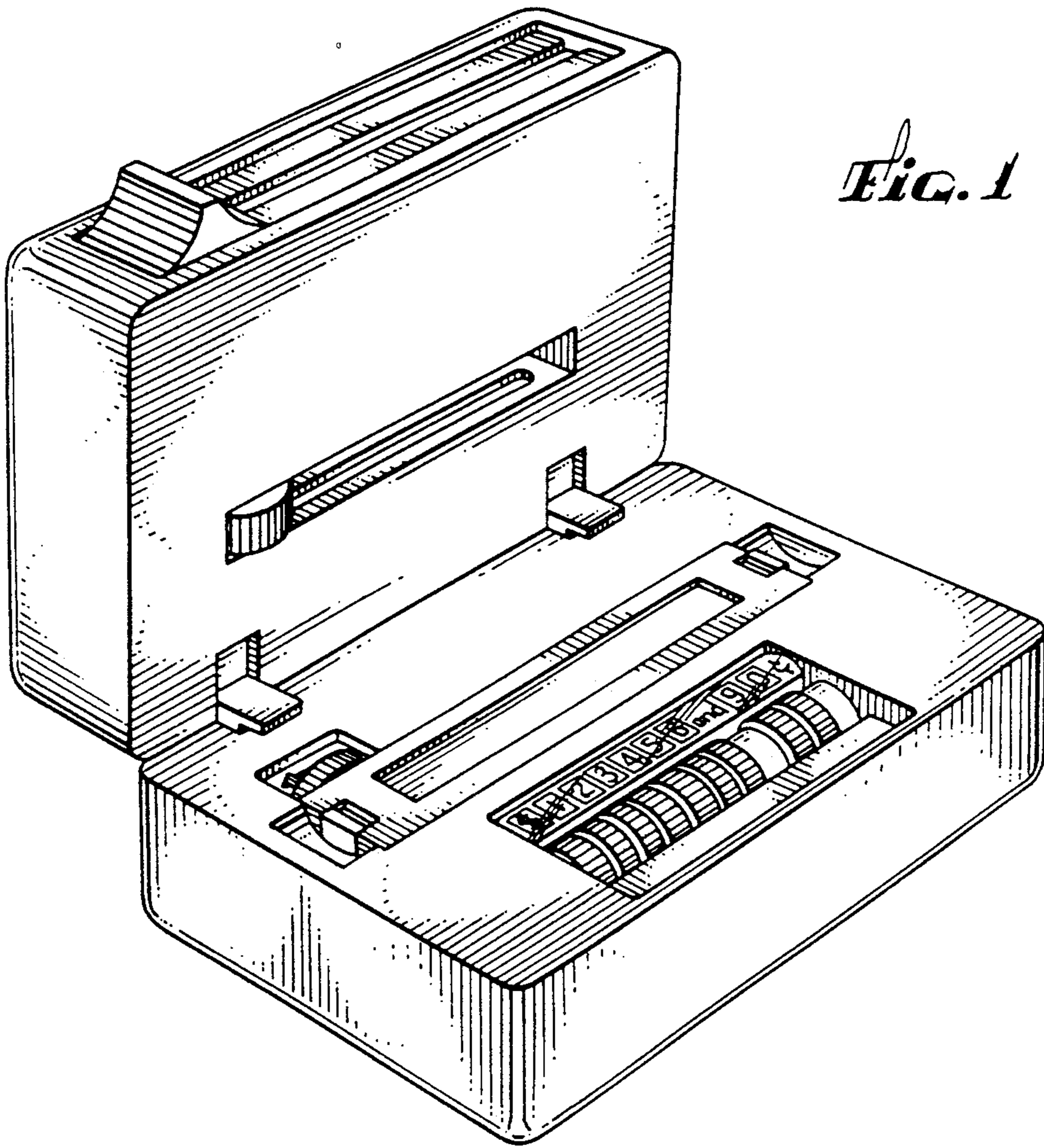
[57] CLAIM

The ornamental design for a check writing device, as shown and described.

DESCRIPTION

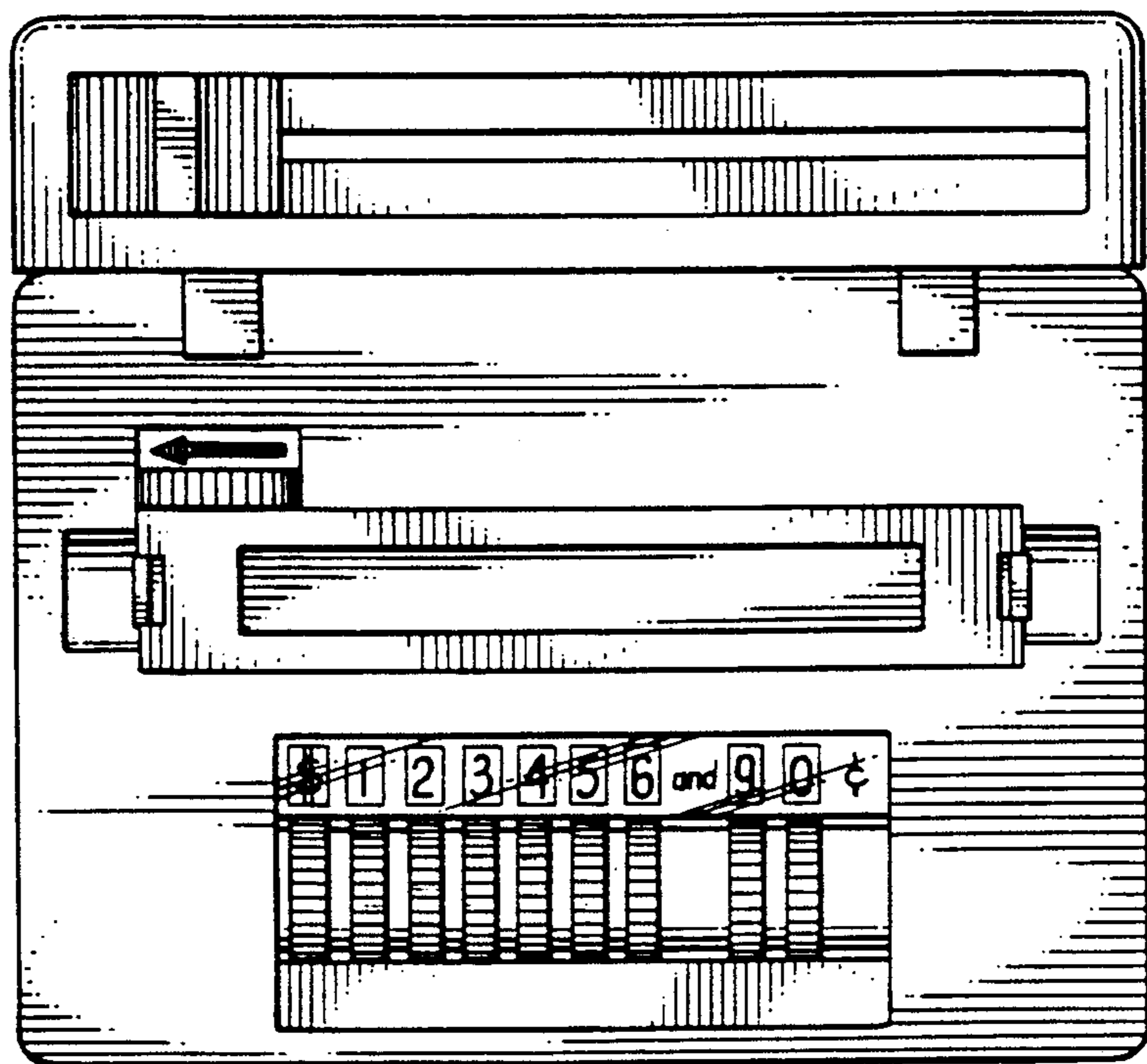
FIG. 1 is a left, front perspective view of a check writing device showing my new design, with the top open; FIG. 2 is a top plan view thereof; FIG. 3 is a front elevational view thereof; FIG. 4 is a left side elevational view thereof, the right side elevational view being a mirror image thereof; FIG. 5 is a rear elevational view thereof; FIG. 6 is a bottom plan view thereof; FIG. 7 is a left, front perspective view thereof, with the top closed.



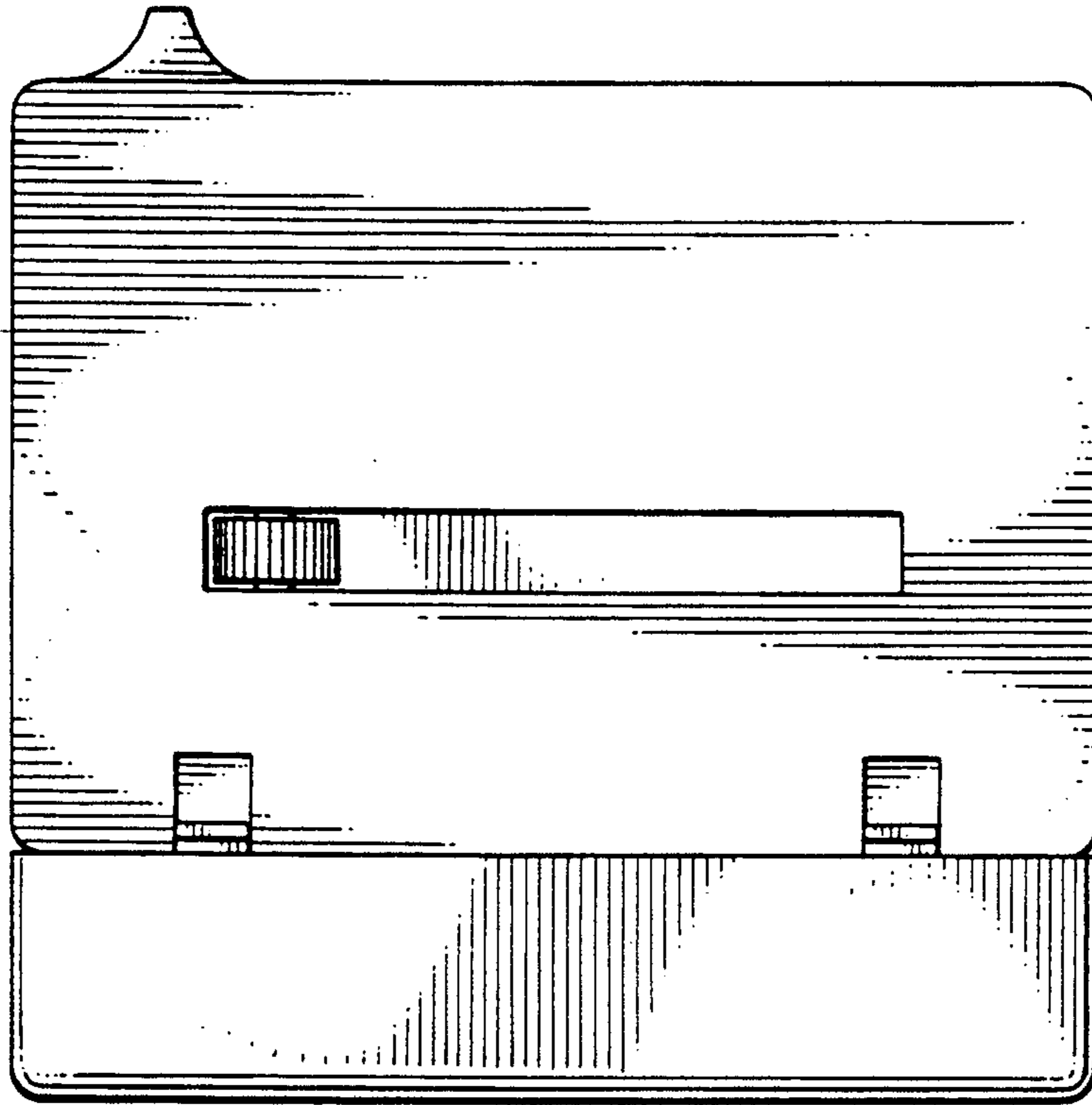


*Fig. 1*

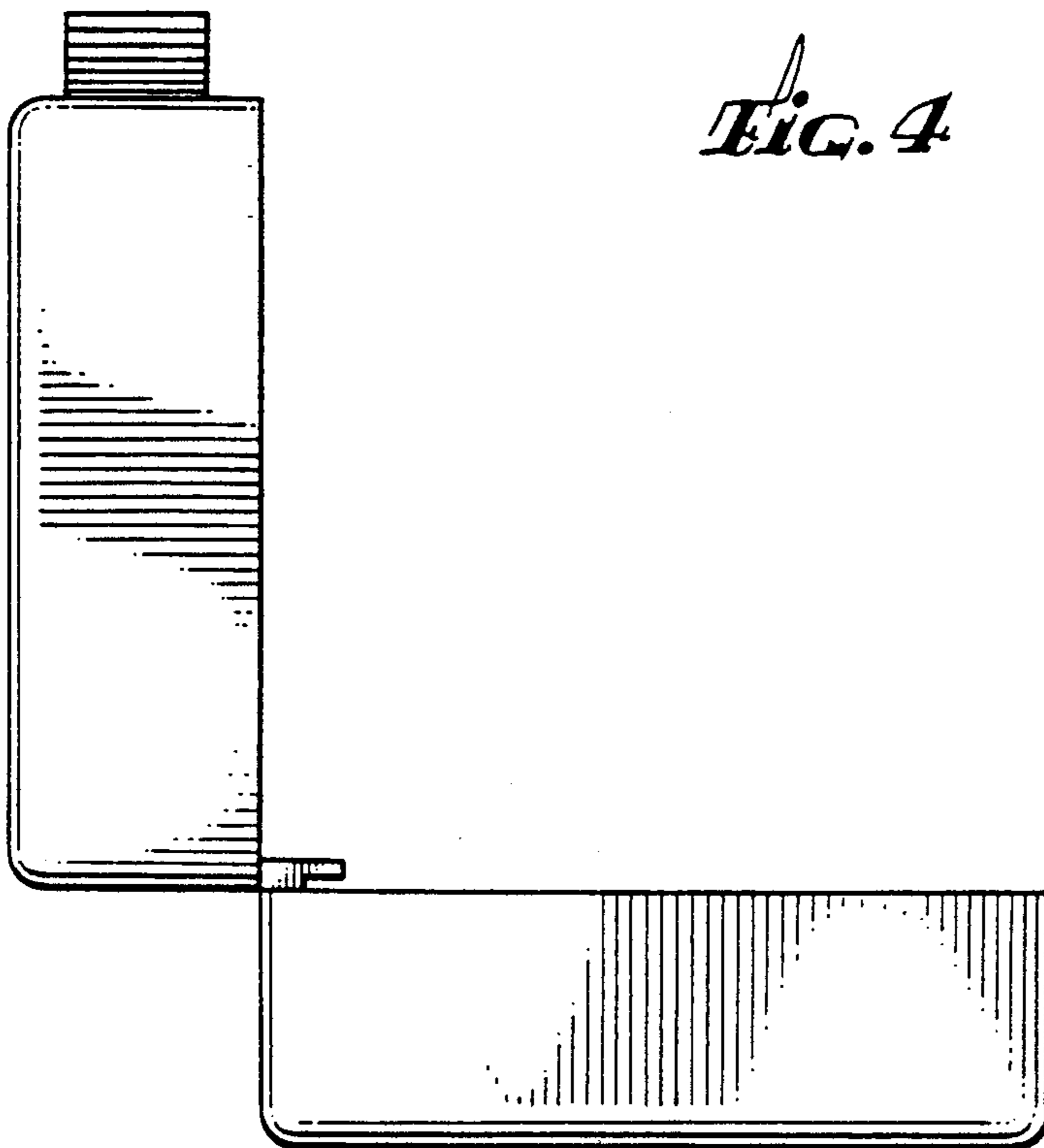
*Fig. 2*



*Fig. 3*

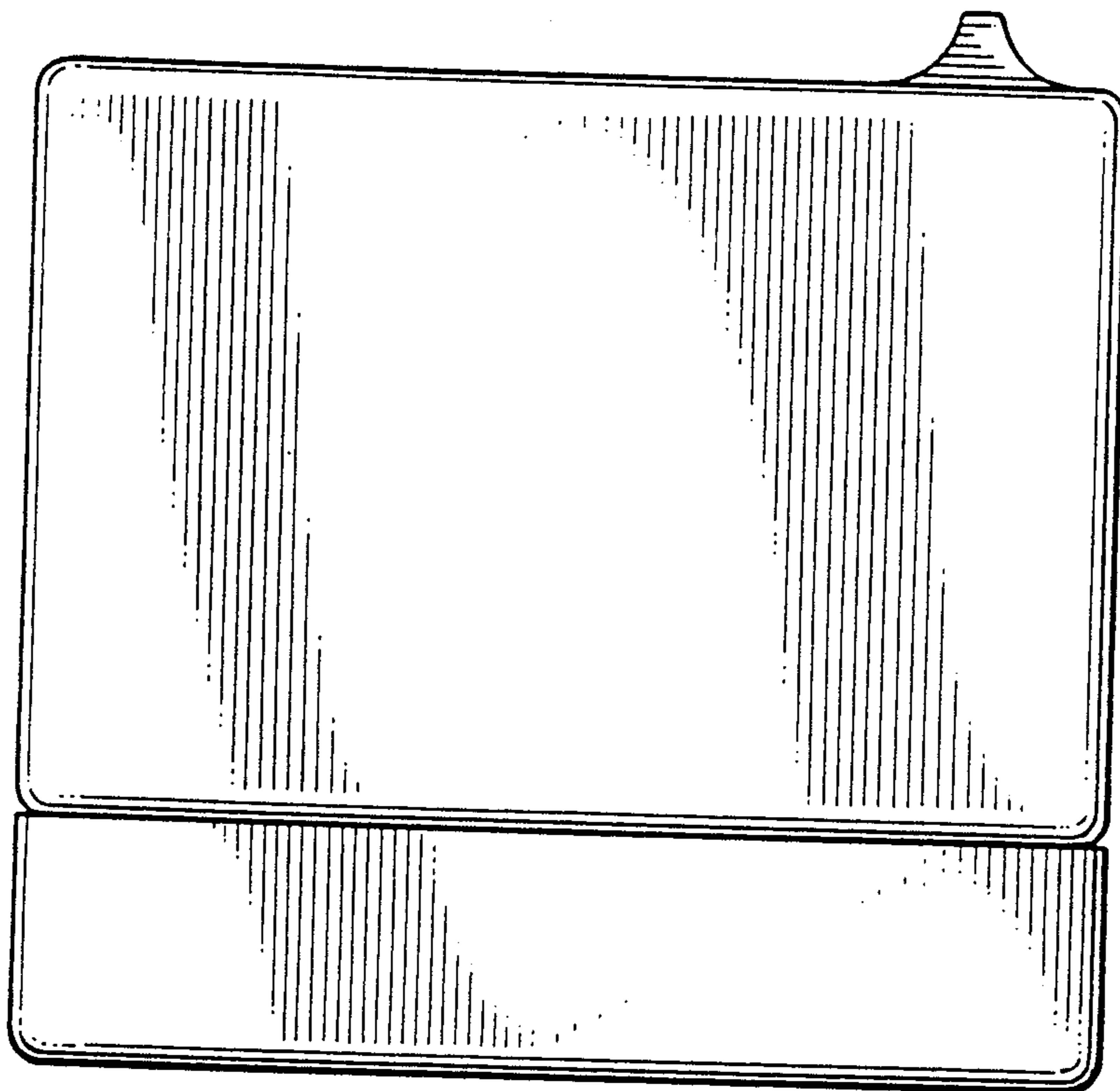


*Fig. 4*

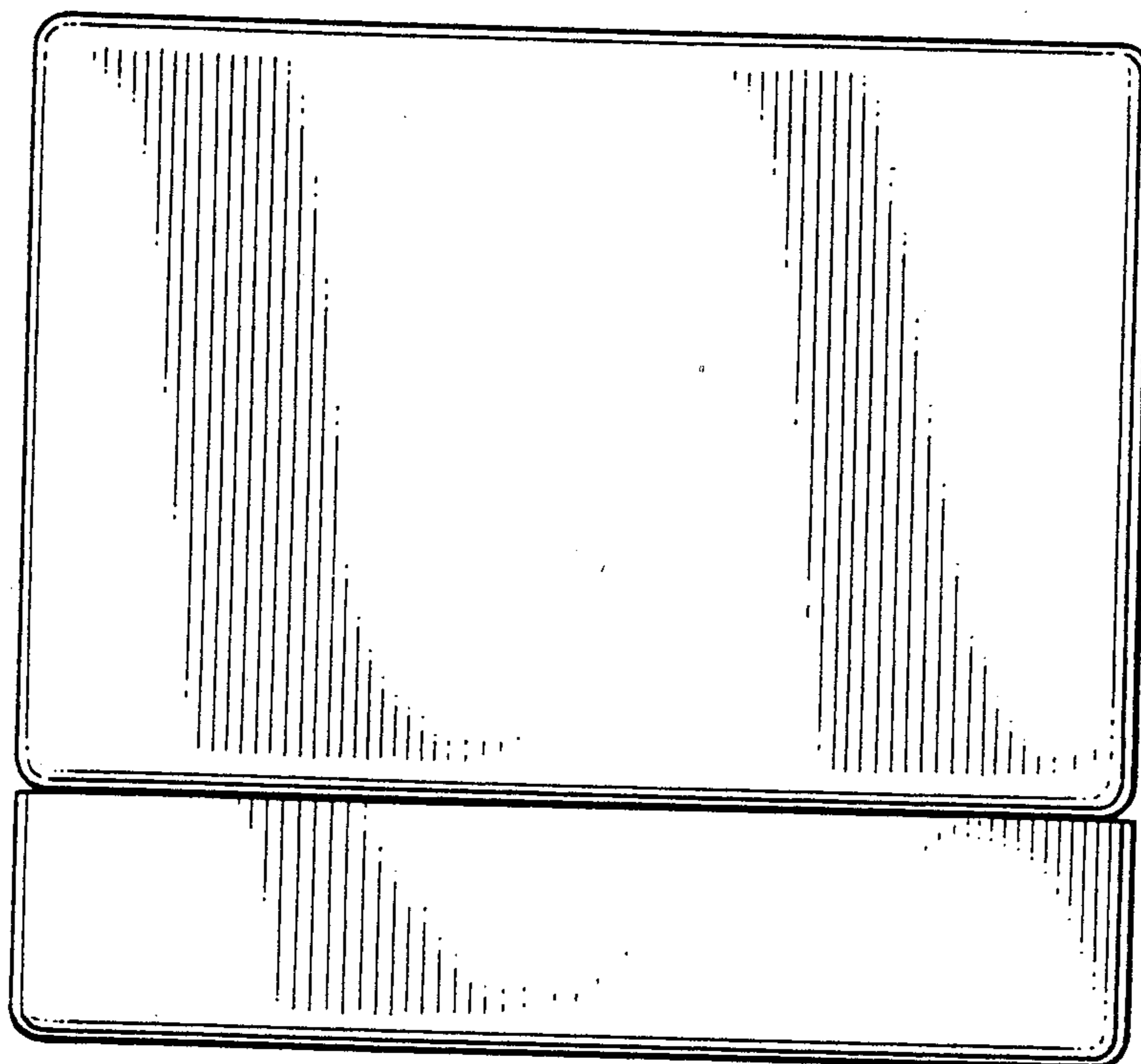




*Fig. 5*



*Fig. 6*



*FIG. 7*

