

[54] FRONT PANEL FOR A COMBINED RADIO RECEIVER AND CASSETTE TAPE PLAYER

[75] Inventors: Gilbert L. McCauley, Detroit; Victor Kruk, Livonia; John C. Sames, Clarkson; Andrew D. Magic, Livonia, all of Mich.

[73] Assignee: Chrysler Corporation, Highland Park, Mich.

[**] Term: 14 Years

[21] Appl. No.: 285,914

[22] Filed: Dec. 16, 1988

[52] U.S. Cl. D14/258; D14/157

[58] Field of Search D14/157, 257, 258, 299; D12/155; 455/344-347, 350-351; 312/7.1

[56] References Cited

U.S. PATENT DOCUMENTS

D. 284,283	6/1986	Van de Ven	D14/157
D. 292,398	10/1987	Kifer et al.	D14/258
D. 308,383	6/1990	Mergregian et al.	D14/258
D. 308,524	6/1990	Pinardi et al.	D14/258
4,481,512	11/1984	Tscheulin et al.	455/346 X

OTHER PUBLICATIONS

Stereo Review; May 1987; p. 60; bottom left—Denon Model DCC-8900.

Stereo Review; Nov. 1985; p. 105; bottom—Kenwood Model KRC-838.

Crutchfield Cat.; Summer 1986; p. 24; JVC Model KS-RX710.

Primary Examiner—Theodore M. Shooman
Attorney, Agent, or Firm—Edward A. Craig

[57] CLAIM

The ornamental design for front panel for a combined radio receiver and cassette tape player, as shown and described.

DESCRIPTION

FIG. 1 is a top plan view of front panel for a combined radio receiver and cassette tape player showing our new design;

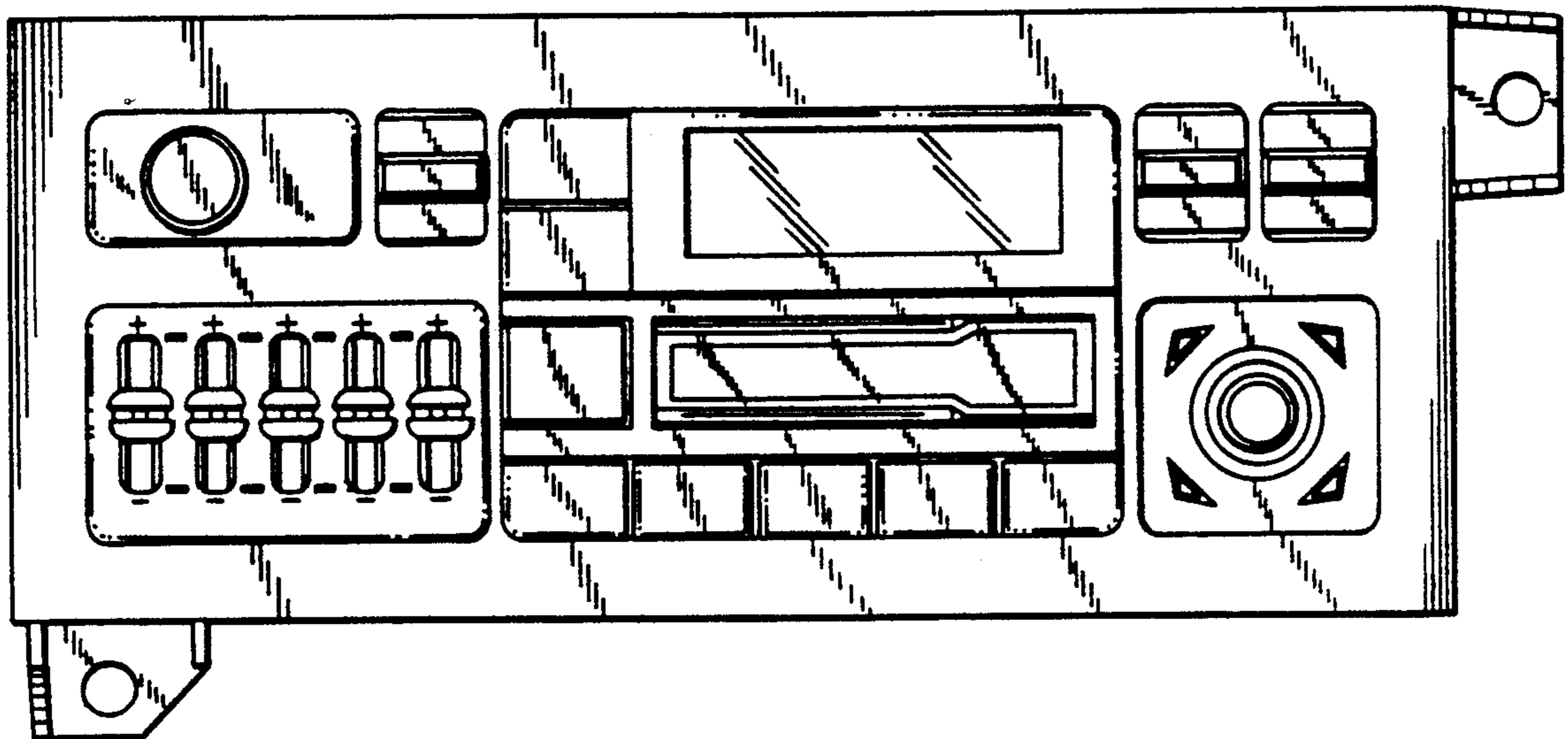
FIG. 2 is a front elevational view thereof;

FIG. 3 is a bottom plan view thereof;

FIG. 4 is a left side elevational view thereof; and

FIG. 5 is a right side elevational view thereof.

The housing shown in broken lines in FIGS. 1 and 3-5 is shown for illustrative purposes only and forms no part of the claimed design.



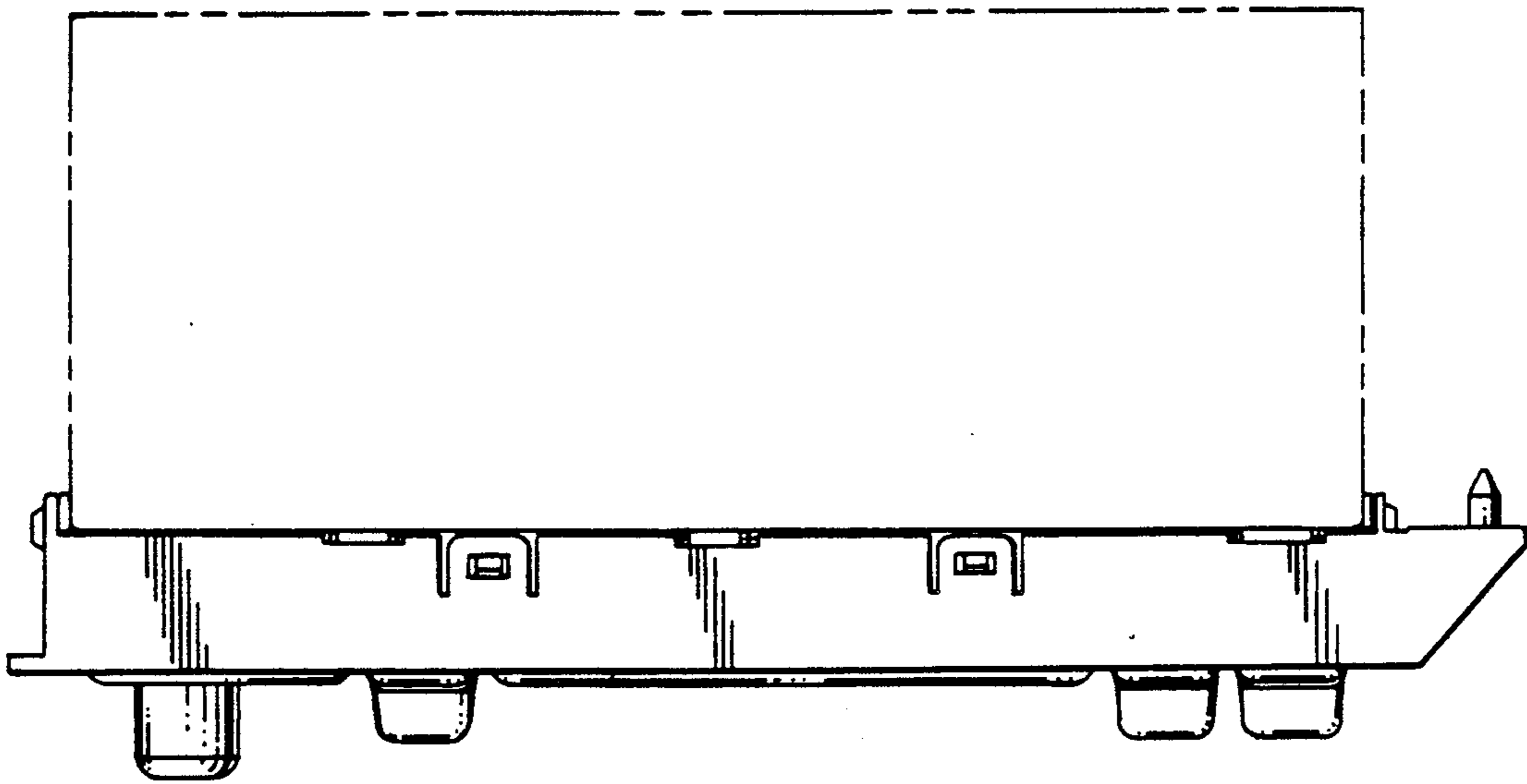


FIG. 1

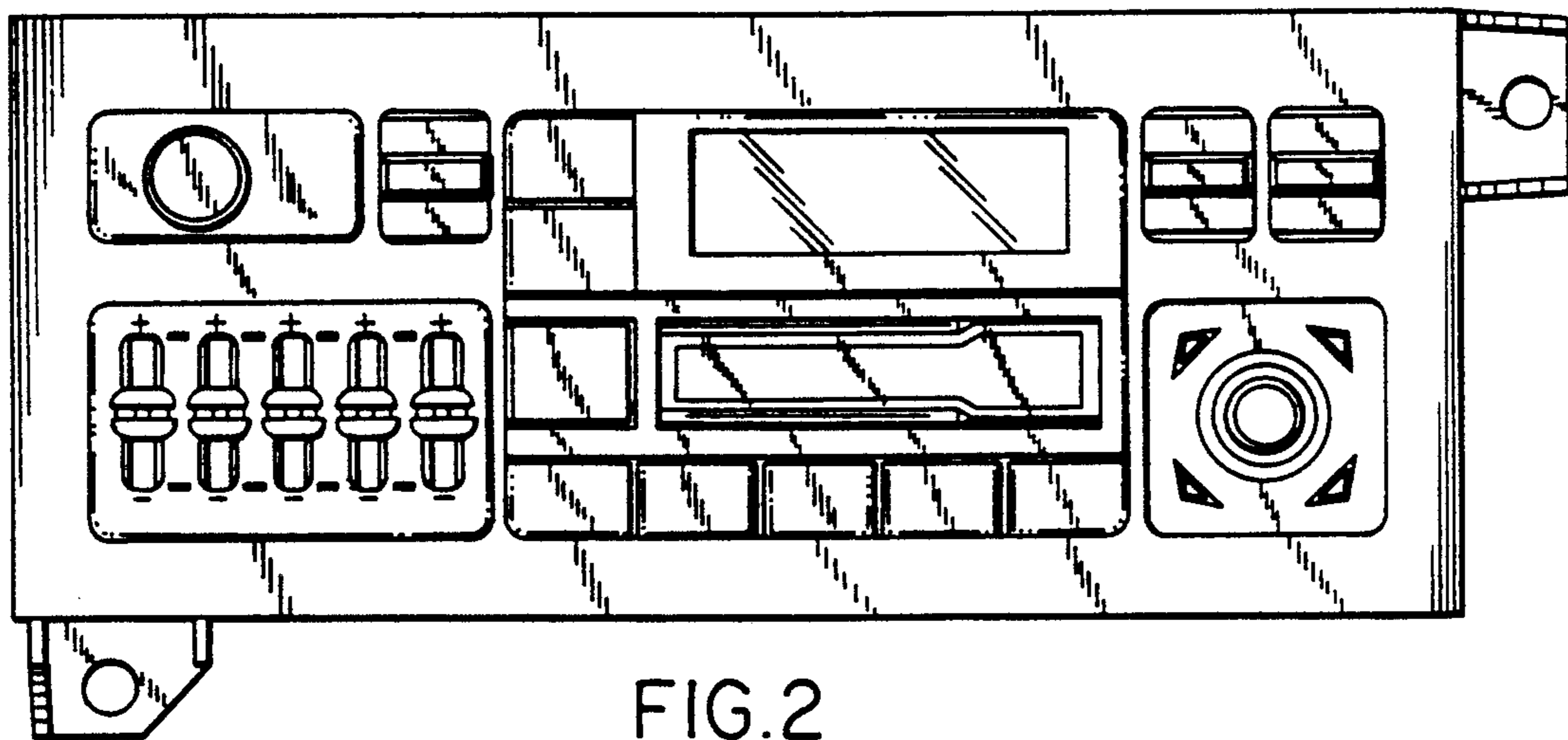
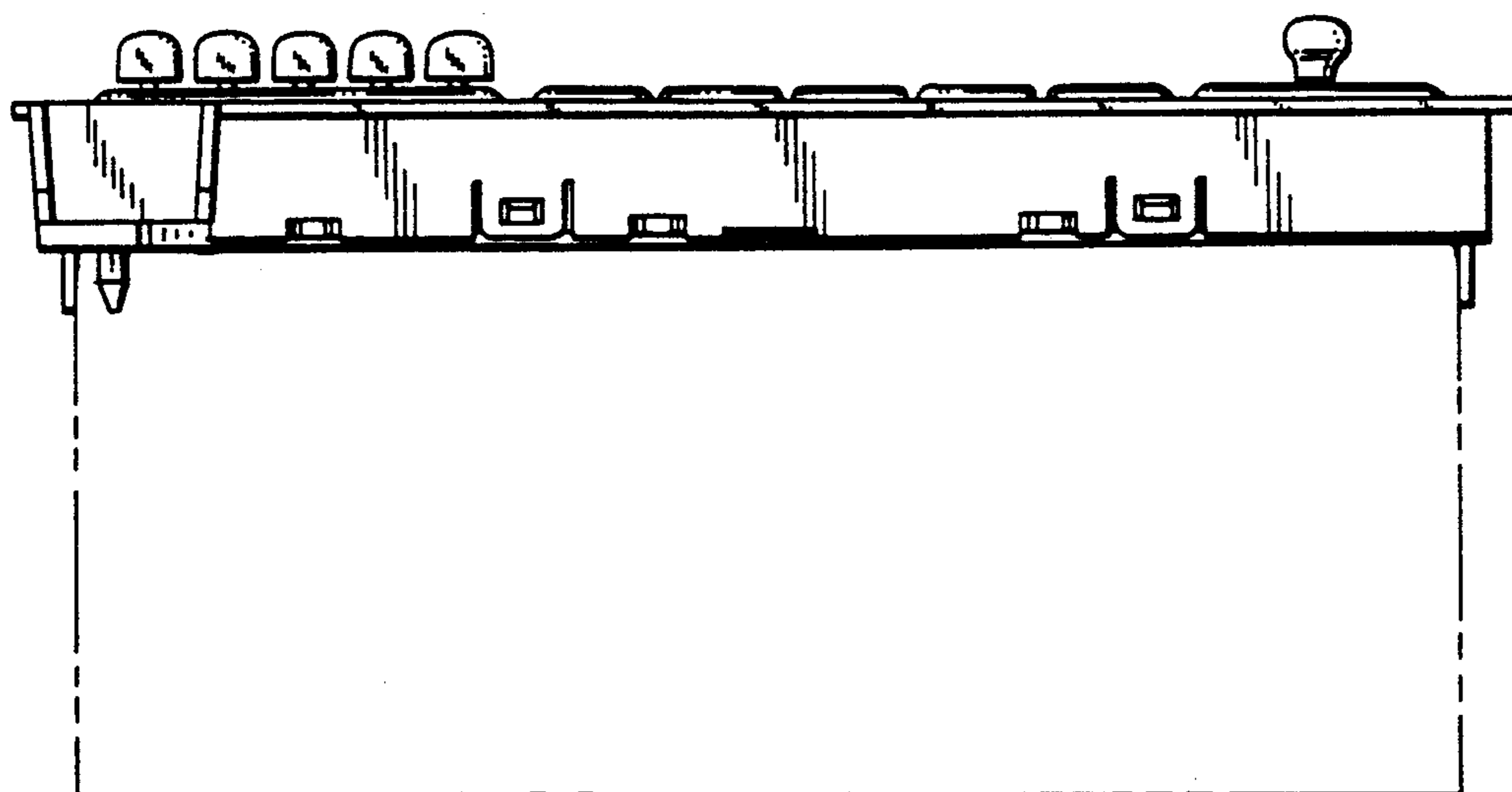


FIG. 2

FIG. 3



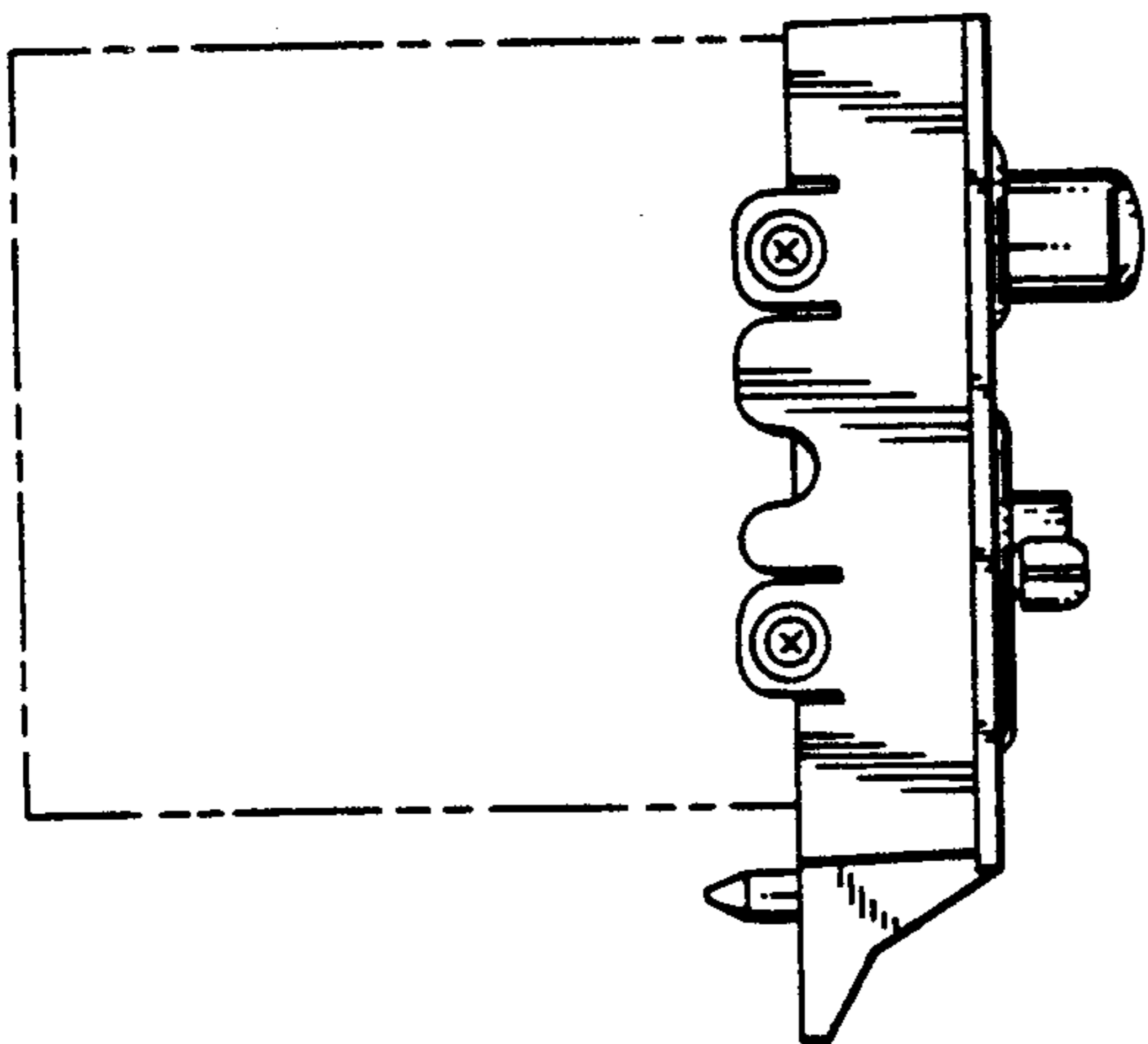


FIG. 4

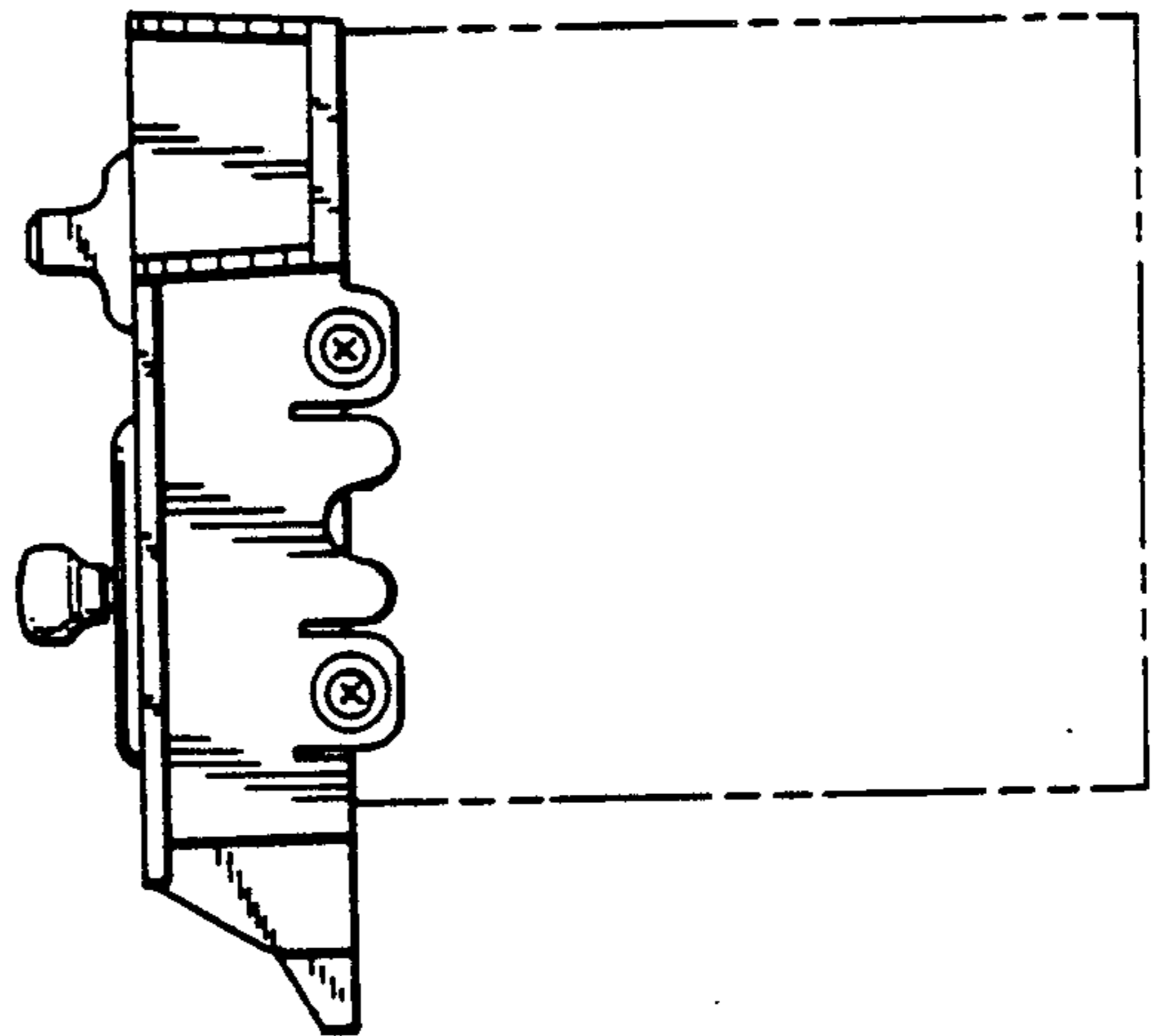


FIG. 5