

[54] HOUSING PANEL FOR A TELEPHONE HANDSET OR SIMILAR ARTICLE

[75] Inventor: Terrance N. Taylor, Cary, Ill.

[73] Assignee: Motorola, Inc., Schaumburg, Ill.

[**] Term: 14 Years

[21] Appl. No.: 454,875

[22] Filed: Dec. 21, 1989

[52] U.S. Cl. D14/247; D14/138

[58] Field of Search D14/247, 138, 147, 148; 379/58, 59, 60, 440, 433, 434, 428

[56] References Cited

U.S. PATENT DOCUMENTS

- D. 248,758 8/1978 Krolopp et al. .
- D. 271,491 11/1983 Taylor .
- D. 275,006 8/1984 Danielson et al. .
- D. 284,471 7/1986 Felix et al. .
- D. 285,555 9/1986 Fukutani .
- D. 286,778 11/1986 Beaumont .
- D. 288,442 2/1987 Brown .
- D. 289,283 4/1987 Kajita .
- D. 291,199 8/1987 Watanabe .
- D. 291,564 8/1987 Kajita .
- D. 292,285 10/1987 Kando .
- D. 292,513 10/1987 Gilberton .
- D. 292,578 11/1987 Taylor .
- D. 292,920 11/1987 Taylor .
- D. 293,237 12/1987 Brown .

- D. 293,442 12/1987 Richardson et al. .
- D. 294,496 3/1988 Drakulovic et al. .
- D. 294,500 3/1988 Drakulovic et al. .
- D. 295,624 5/1988 Lopez Garcia .
- D. 295,745 5/1988 Reichenstein .
- D. 295,973 5/1988 Nagele .
- D. 295,975 5/1988 Taylor et al. .
- D. 297,009 8/1988 Grambush et al. .
- D. 299,136 12/1988 Taylor D14/138 X
- D. 303,259 9/1989 Deighan D14/138
- D. 304,830 11/1989 Sutob D14/138
- D. 306,293 2/1990 Nagele et al. .
- D. 306,411 6/1990 Taylor D14/138

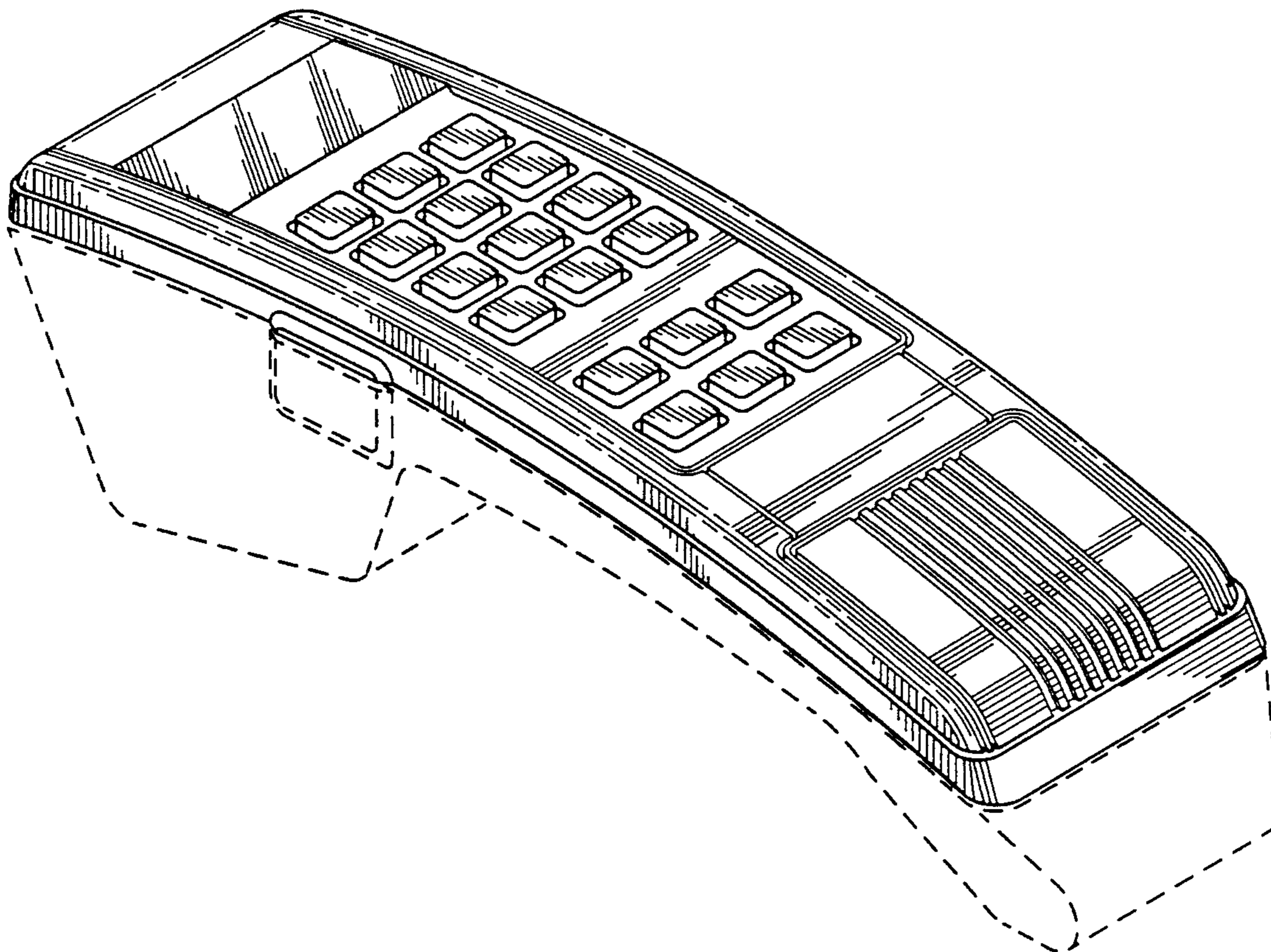
Primary Examiner—Horace B. Fay, Jr.
Attorney, Agent, or Firm—Raymond A. Jencki; Rolland R. Hackbart

[57] CLAIM

The ornamental design for a housing panel for a telephone handset or similar article, as shown and described.

DESCRIPTION

FIG. 1 is a top, front and left side perspective view of a housing panel for a telephone handset or similar article showing my new design;
FIG. 2 is a right side elevational view thereof;
FIG. 3 is a rear elevational view thereof; and
FIG. 4 is a top plan view thereof.
The broken line showing of a bottom housing panel in all figures is for illustrative purposes only and forms no part of the claimed design.



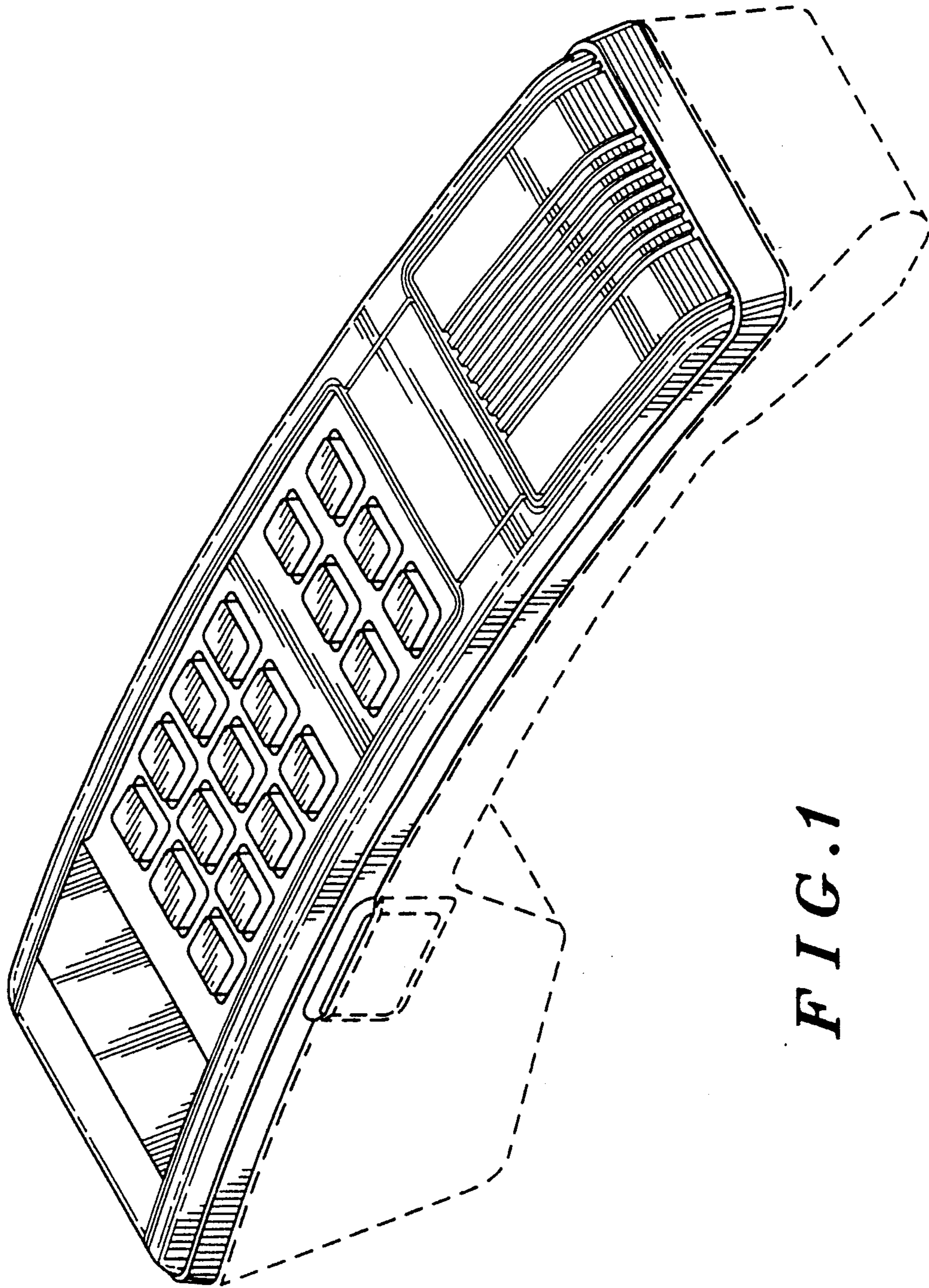


FIG. 1

FIG. 2

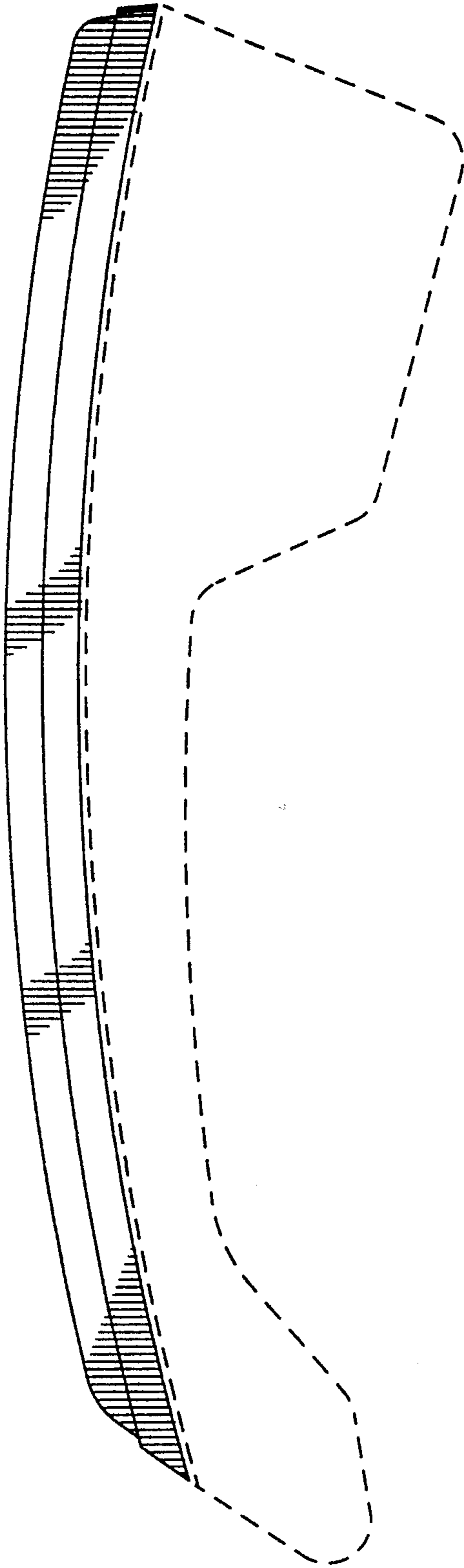
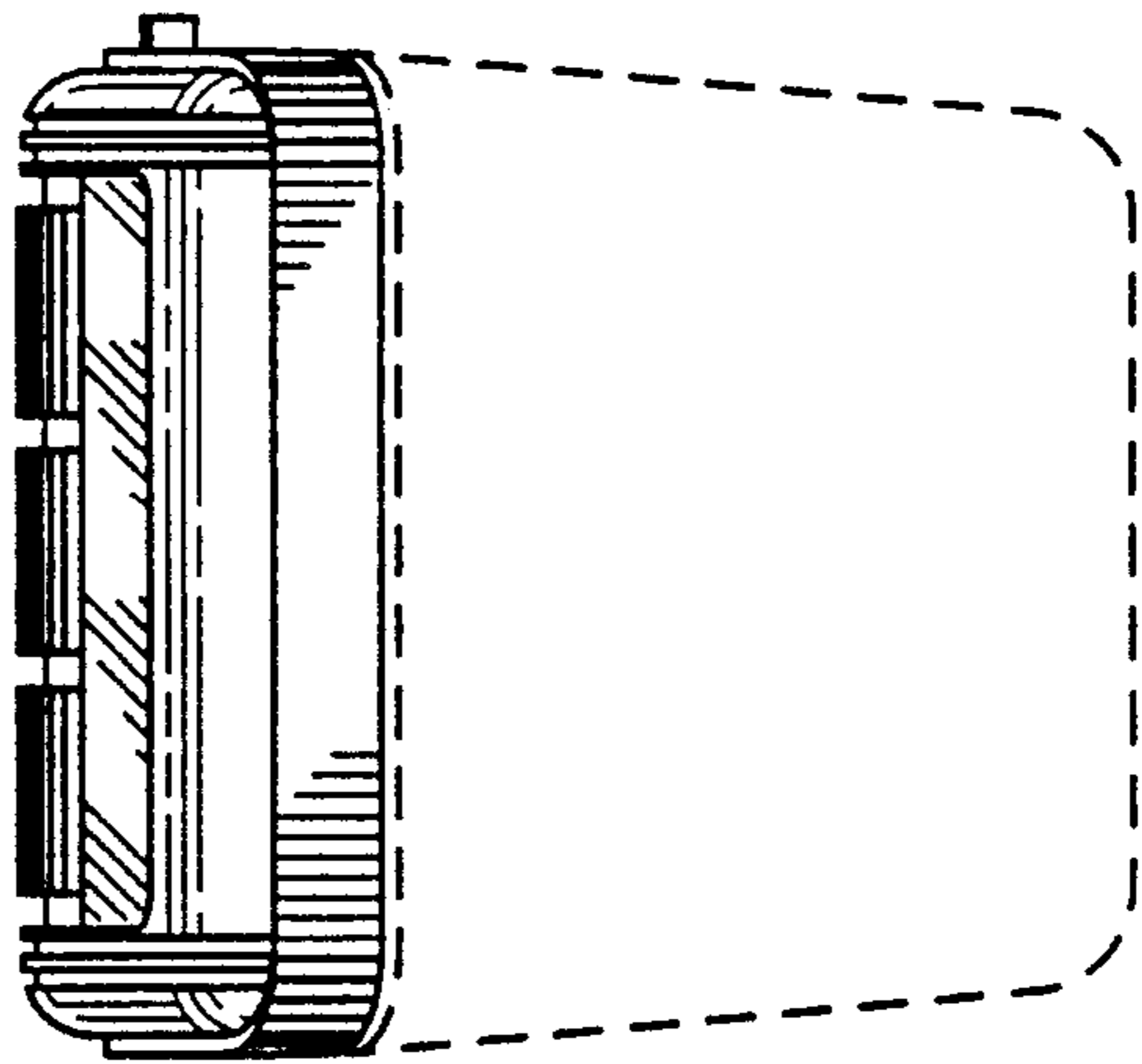


FIG. 3



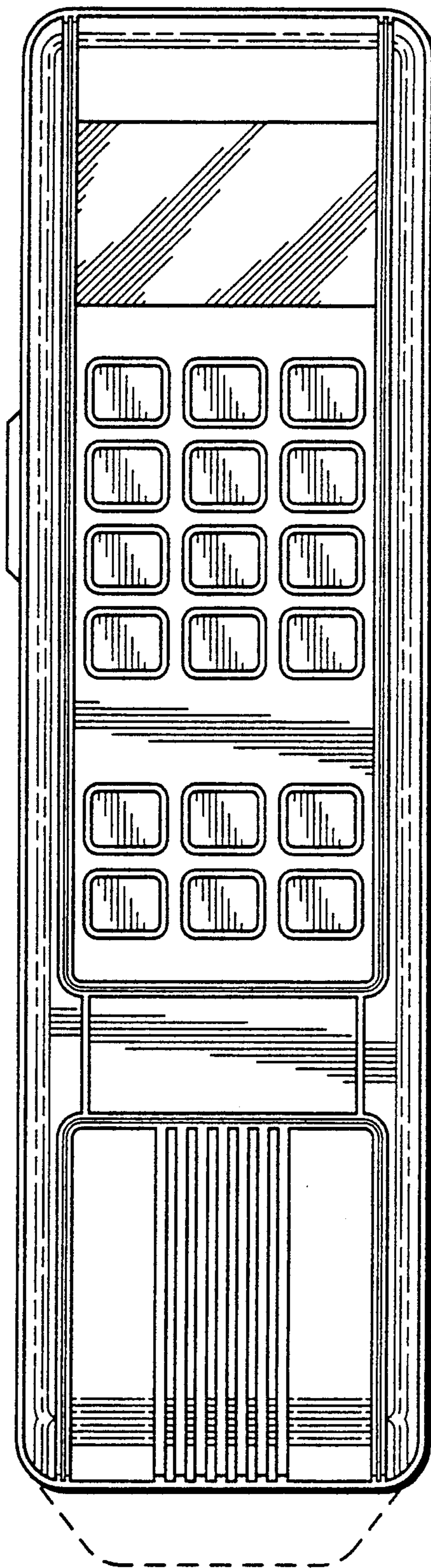


FIG. 4