

[54] VIDEO TELEPHONE STATION

[75] Inventors: Anthony J. Grewe, Fishers, Ind.; John N. McGarvey, Drexel Hill, Pa.; Michael P. Zambelli, Livingston, N.J.

[73] Assignee: AT&T Bell Laboratories, Murray Hill, N.J.

[**] Term: 14 Years

[21] Appl. No.: 564,230

[22] Filed: Aug. 8, 1990

[52] U.S. Cl. D14/130; D14/151; D14/142

[58] Field of Search D14/130, 151; 379/53, 379/440, 436, 441

[56] References Cited

U.S. PATENT DOCUMENTS

D. 195,408	6/1963	Prescott	D14/130
D. 275,196	8/1984	Huang	D14/130
D. 281,423	11/1985	Oshima et al.	D14/58
D. 281,880	12/1985	Kashima et al.	D14/81
D. 285,921	9/1986	Beese	D14/151
D. 294,694	3/1988	Stewart	D14/151
D. 296,891	7/1988	Taniuchi et al.	D14/130

D. 296,893	7/1988	Taniuchi et al.	D14/151 X
D. 303,522	9/1989	Meda et al.	D14/150 X
D. 308,970	7/1990	Takai et al.	D14/130
D. 309,304	7/1990	Takai et al.	D14/130 X
4,577,068	3/1986	Kelly et al.	D14/130 X
4,715,059	12/1987	Cooper-Hart et al.	D14/130 X

FOREIGN PATENT DOCUMENTS

2173675	10/1986	United Kingdom	D14/130 X
---------	---------	----------------	-------	-----------

Primary Examiner—Horace B. Fay, Jr.
Attorney, Agent, or Firm—Michael A. Morra

[57] CLAIM

The ornamental design for a video telephone station, as shown and described.

DESCRIPTION

FIG. 1 is a top, front and right side perspective view of a video telephone station showing our new design; FIG. 2 is a top plan view thereof; FIG. 3 is a front elevational view thereof; FIG. 4 is a right side elevational view thereof; FIG. 5 is a left side elevational view thereof; FIG. 6 is a rear elevational view thereof; and FIG. 7 is a bottom plan view thereof. The broken line showing of rectangles, arrows and pushbuttons in FIGS. 1 and 2 is for illustrative purposes only and forms no part of the claimed design.

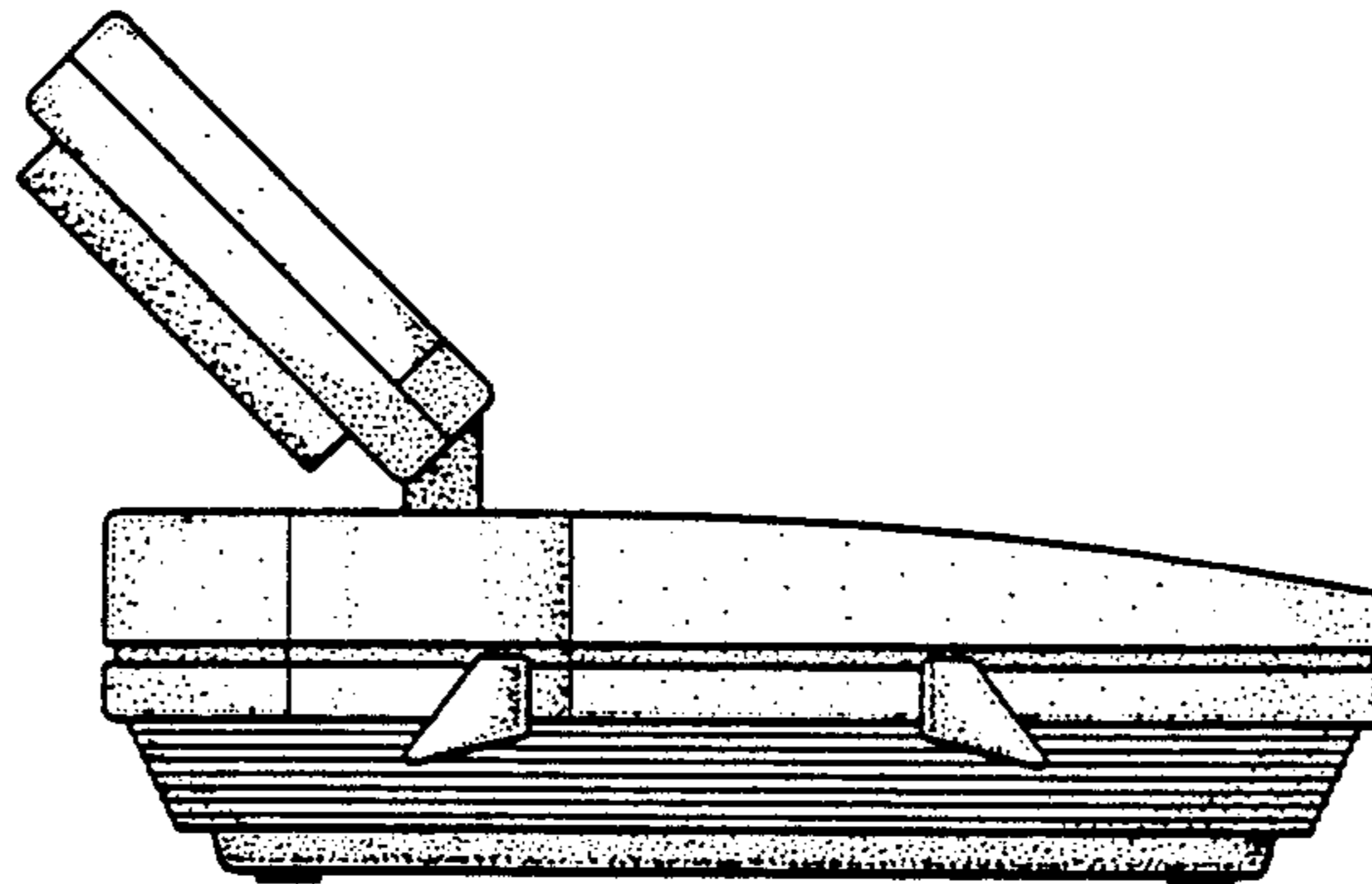
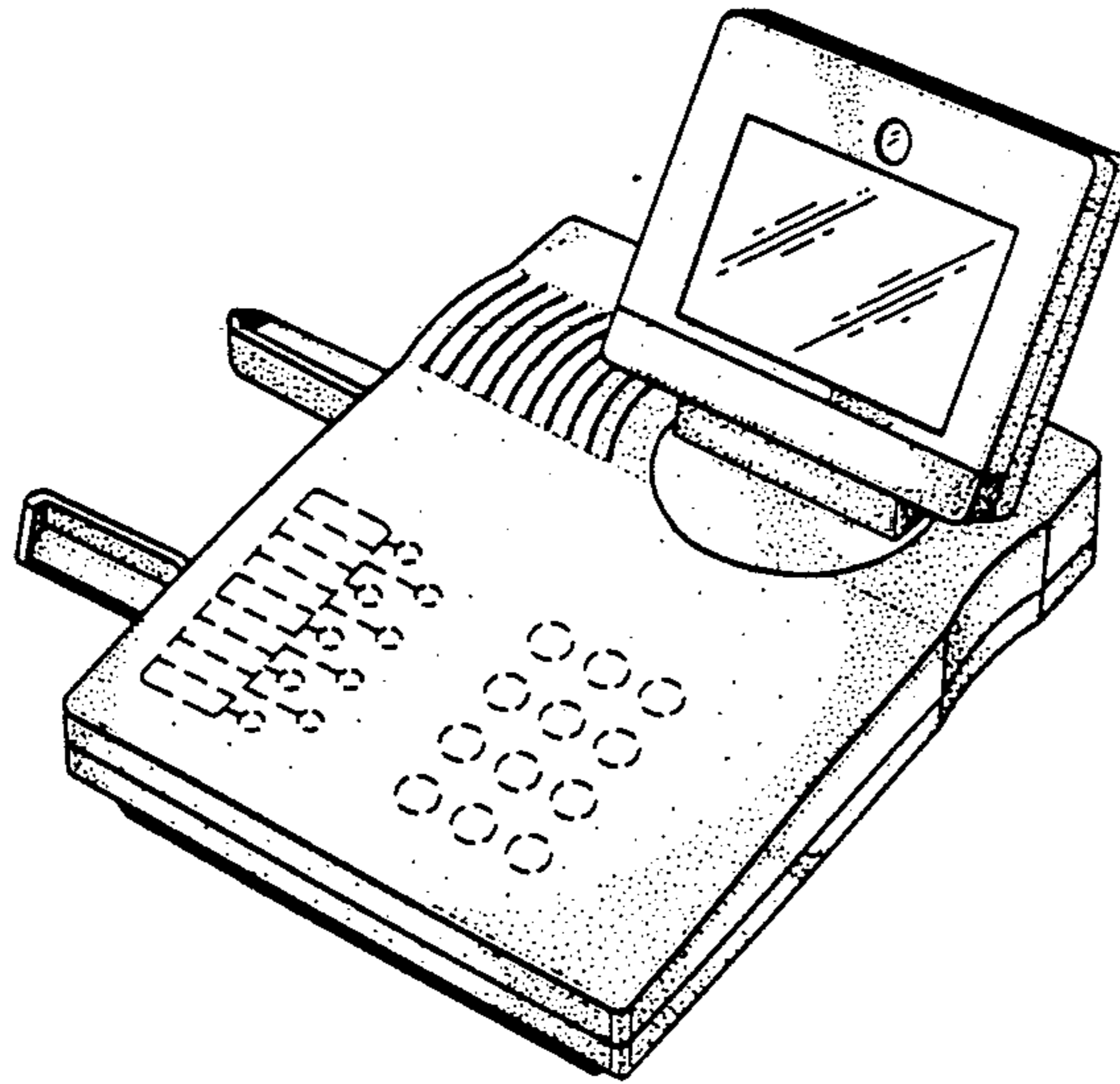


FIG. 1

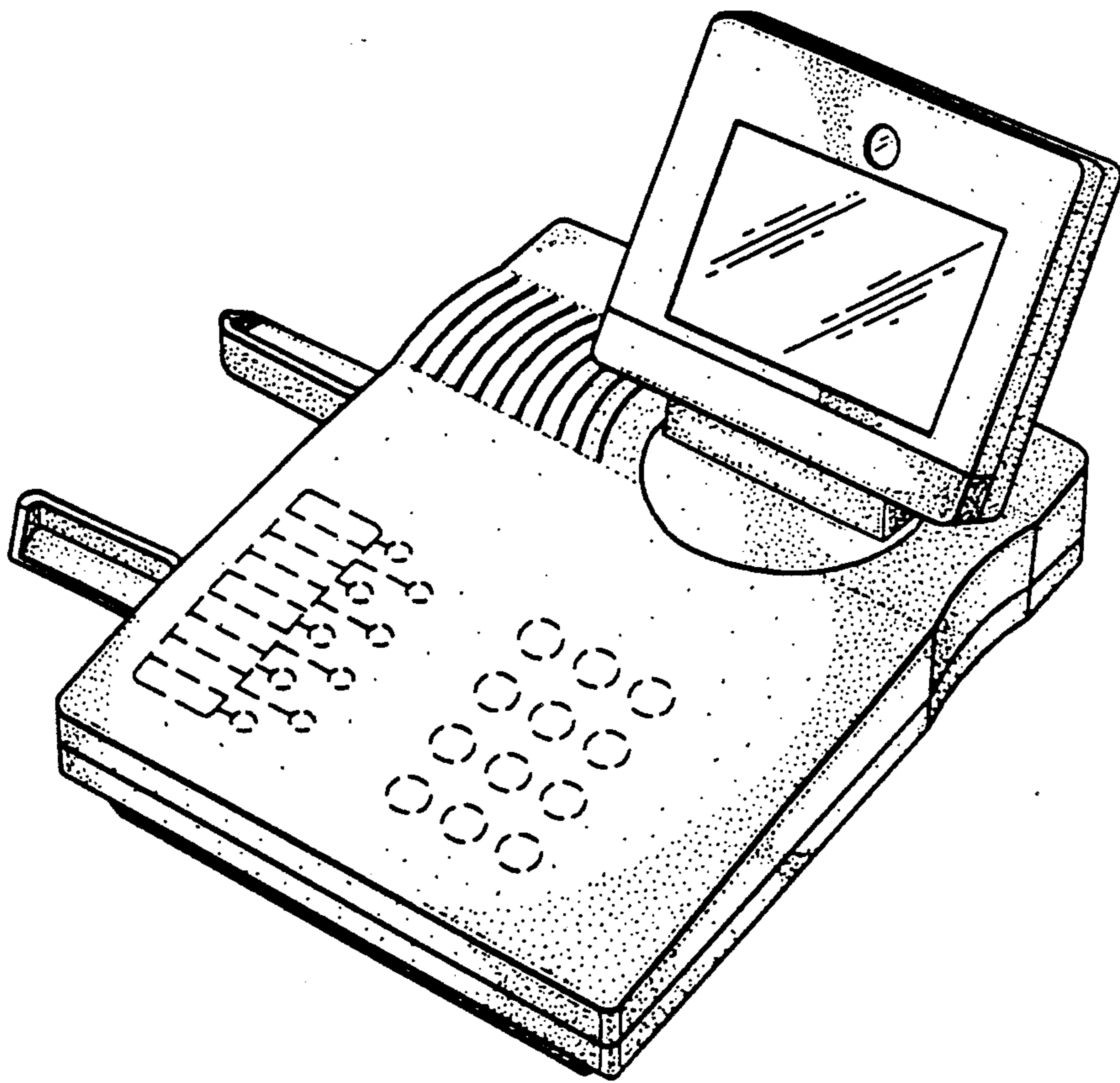


FIG. 2

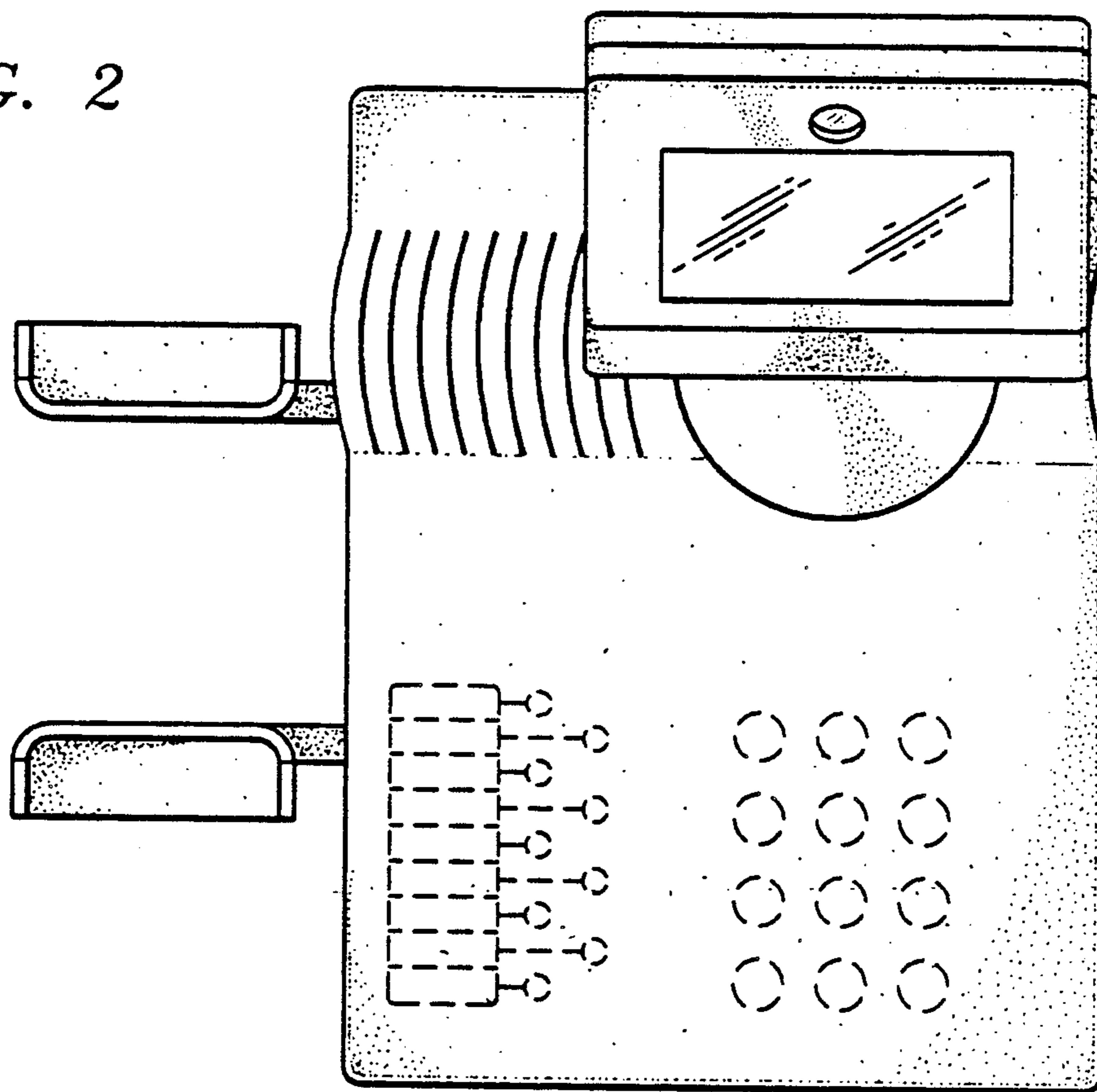


FIG. 3

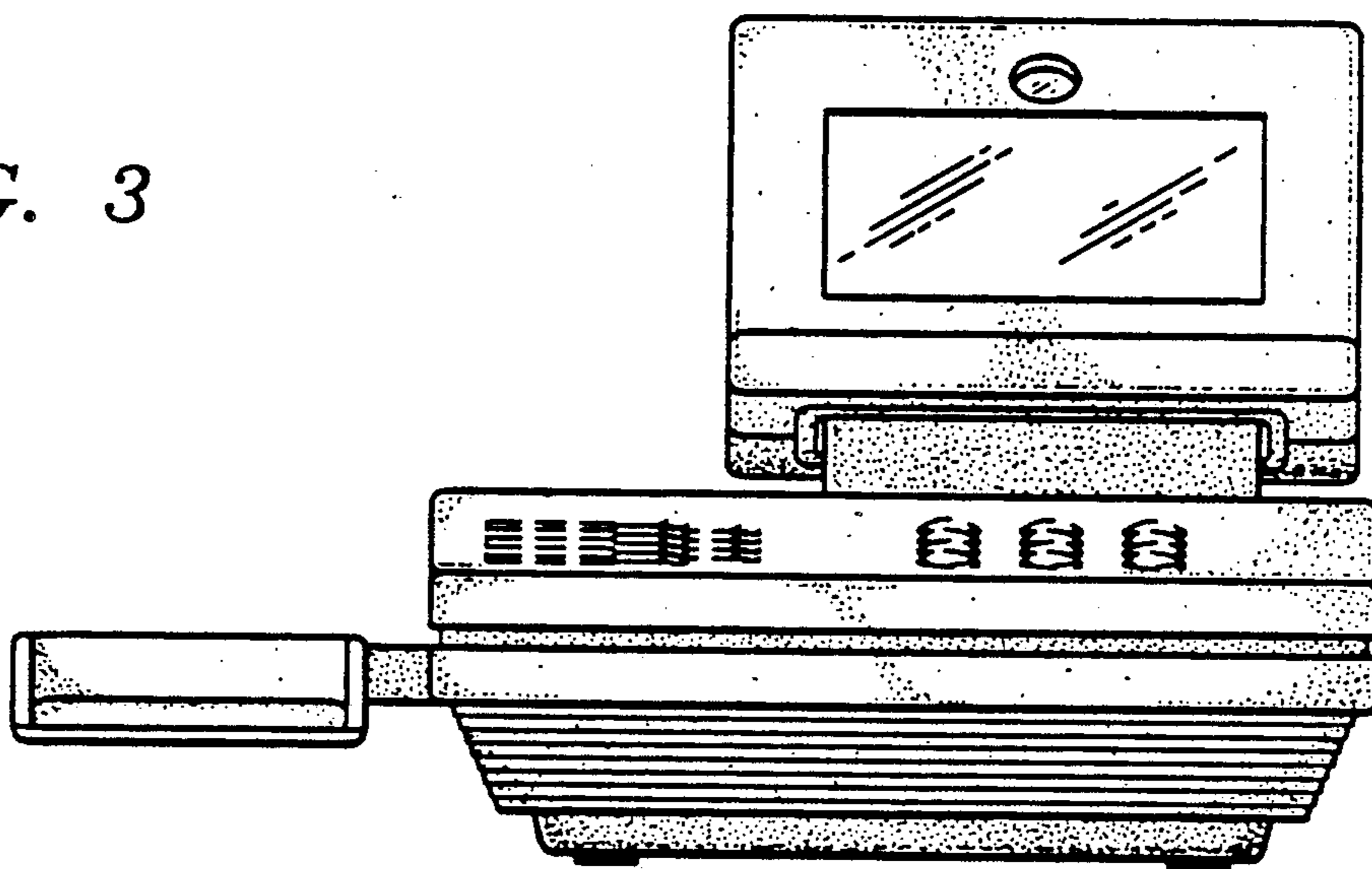


FIG. 4

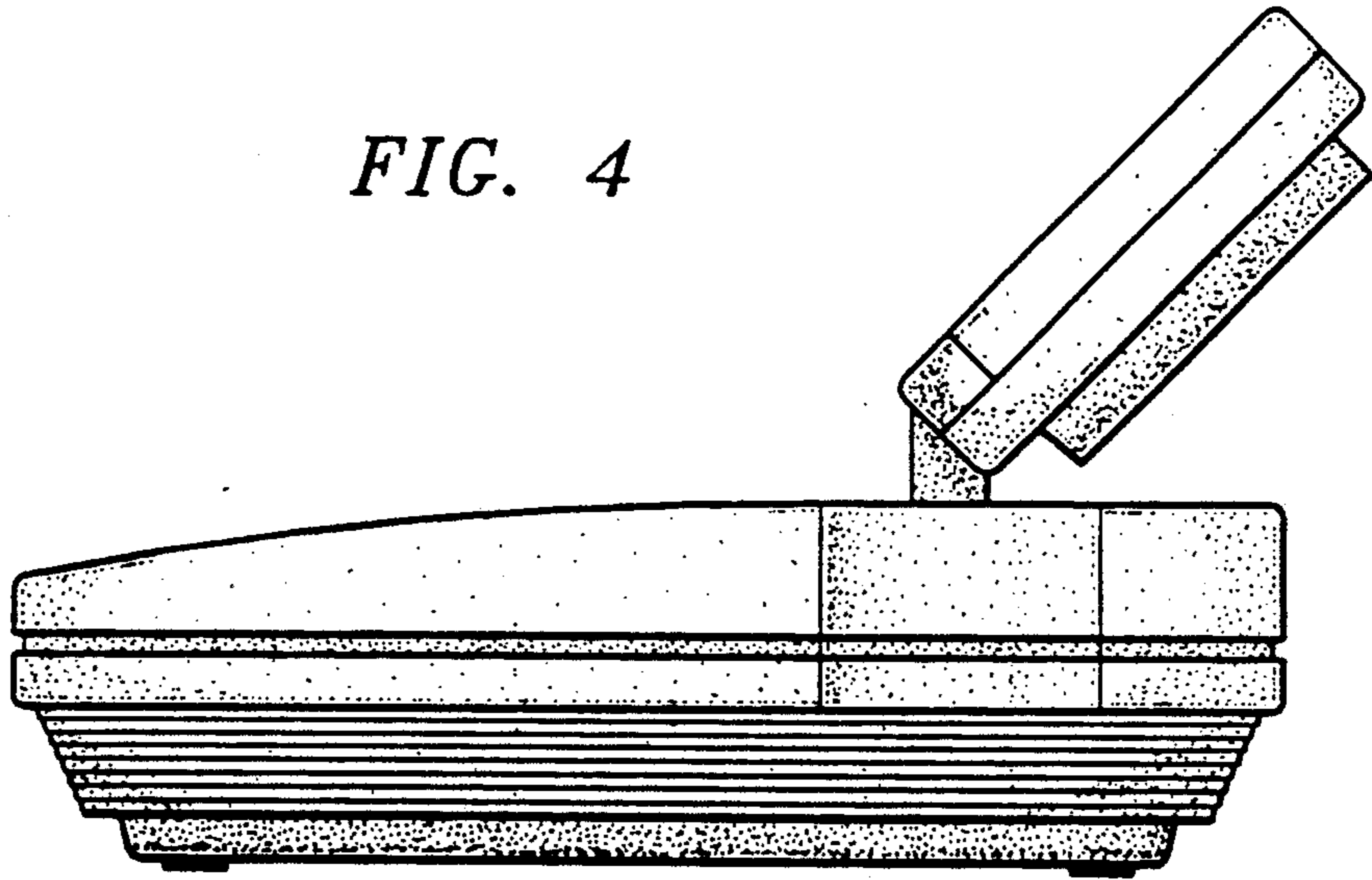
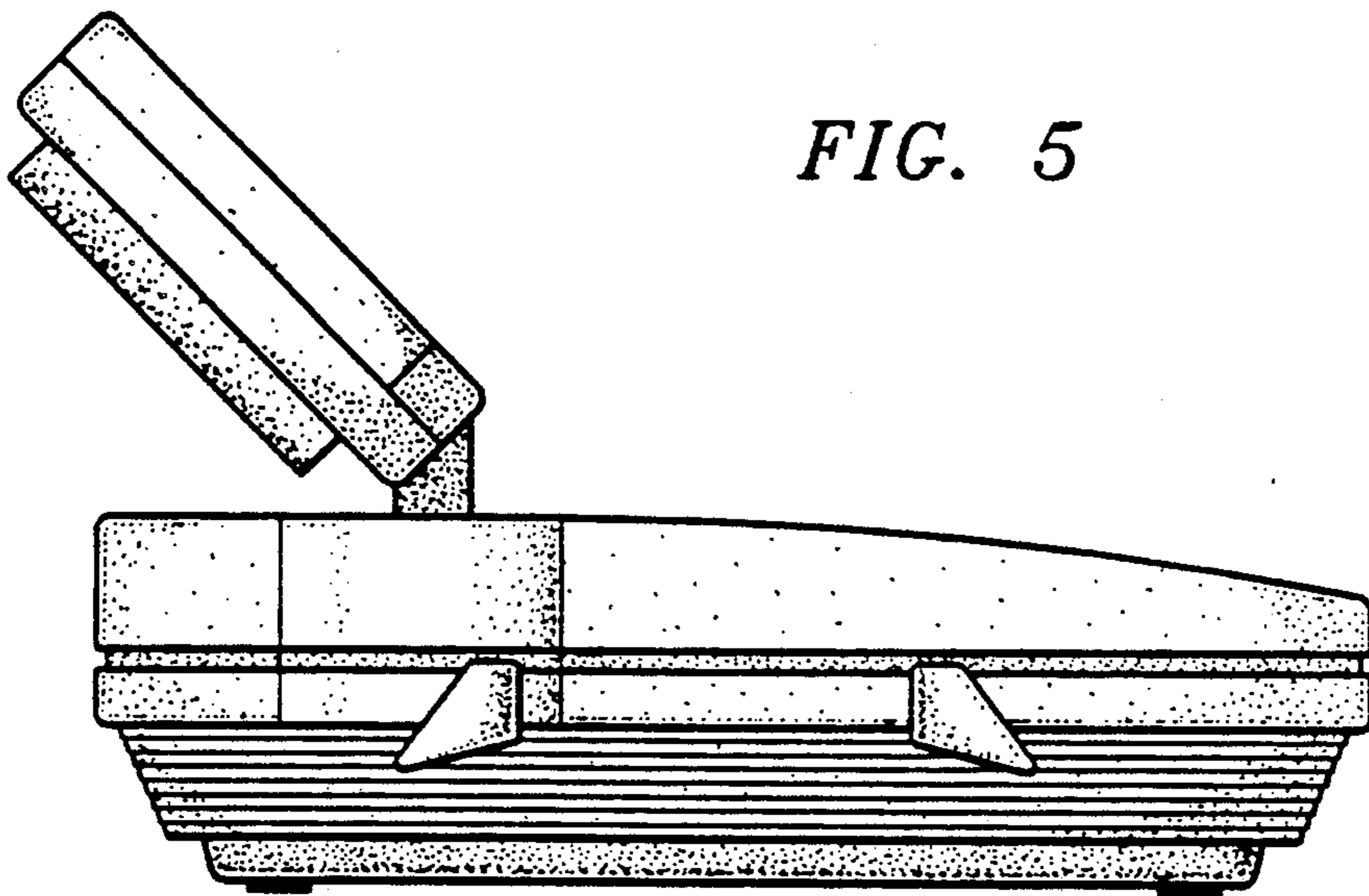


FIG. 5



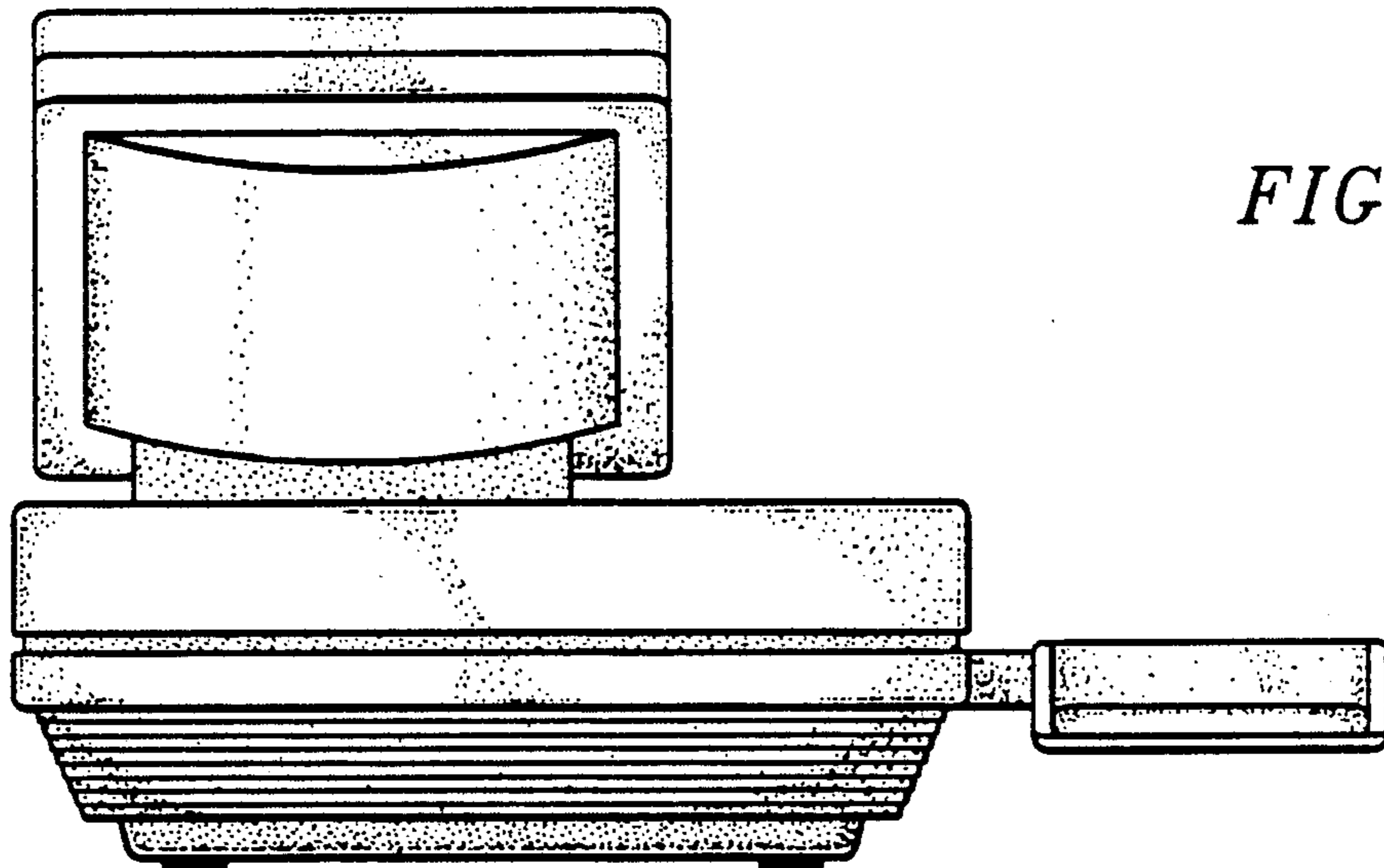


FIG. 6

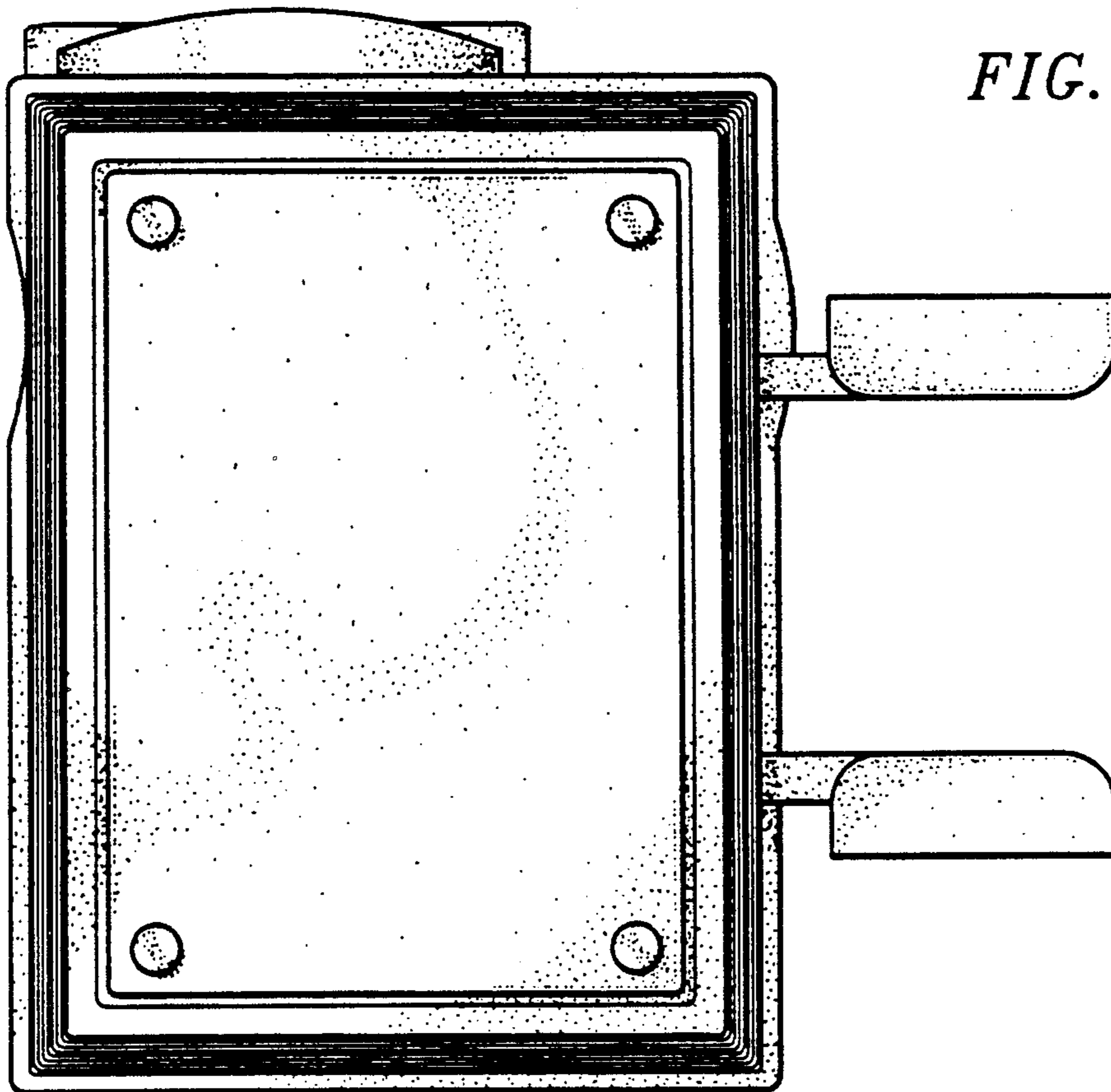


FIG. 7