

[54] TRACKBALL FOR A COMPUTER

[75] Inventor: James E. Sacherman, Palo Alto, Calif.

[73] Assignee: Curtis Manufacturing Company, Inc., Jaffrey, N.H.

[\*\*] Term: 14 Years

[21] Appl. No.: 455,739

[22] Filed: Dec. 22, 1989

[52] U.S. Cl. .... D14/114

[58] Field of Search ..... D14/100, 114, 106; D13/158; D21/48; 178/18, 19; 200/5 A, 5 R, 6 A, 6 R; 273/148 B; 340/707, 710; 74/471 XY

[56] References Cited

U.S. PATENT DOCUMENTS

- D. 288,930 3/1987 Barbera et al. .... D14/114
- D. 291,318 8/1987 Kim ..... D14/114

- D. 292,600 11/1987 Wagner ..... D21/48
- D. 302,010 7/1989 McLaughlin et al. .... D14/114

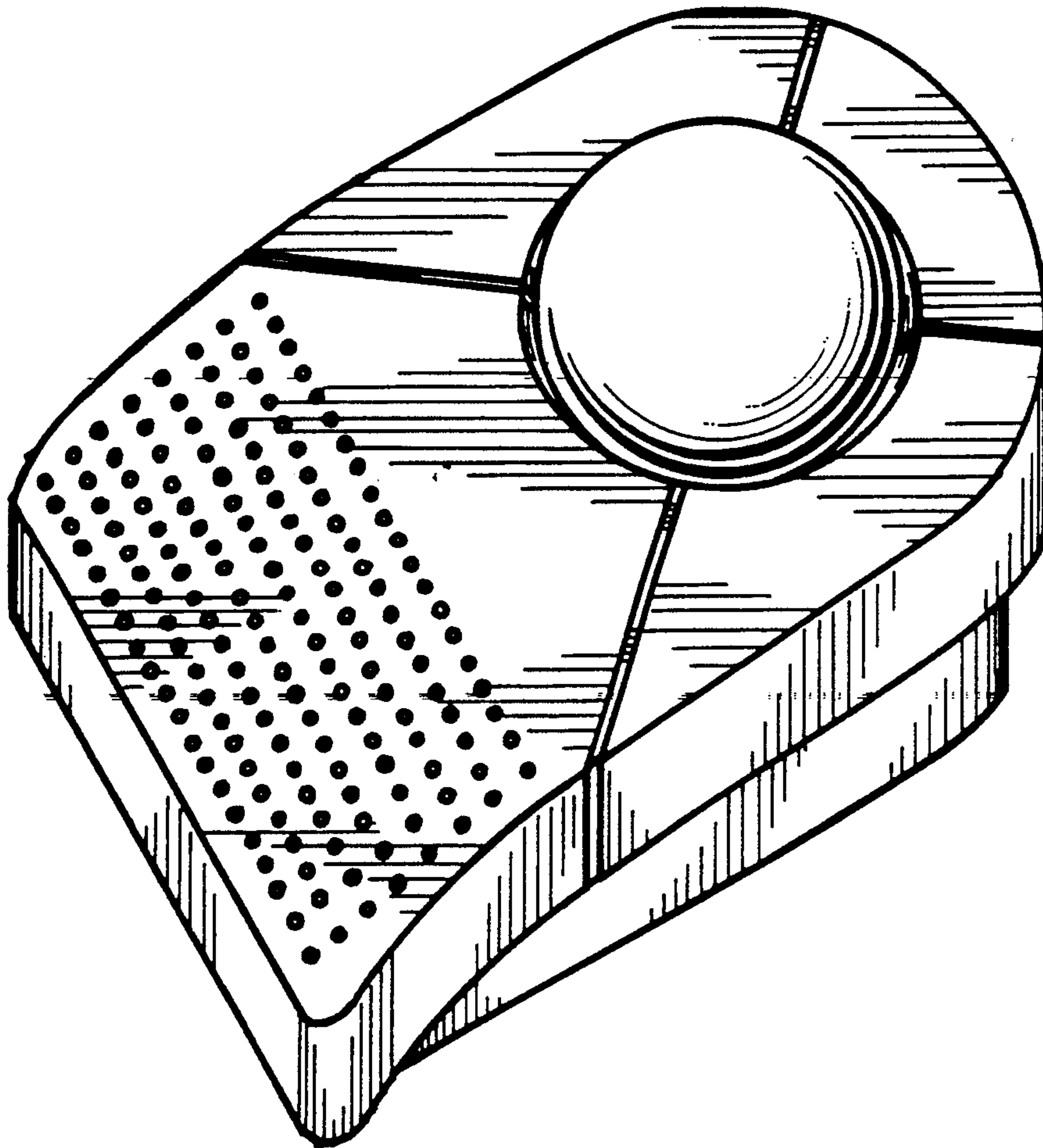
Primary Examiner—Wallace R. Burke  
Assistant Examiner—Freda S. Nunn  
Attorney, Agent, or Firm—Richard P. Crowley

[57] CLAIM

The ornamental design for a trackball for a computer, as shown and described.

DESCRIPTION

FIG. 1 is a top, front, right side perspective view of a trackball for a computer showing my new design;  
 FIG. 2 is a top plan view thereof on a greatly enlarged scale;  
 FIG. 3 is a right side elevational view thereof, the left side elevational view being a mirror image;  
 FIG. 4 is a bottom plan view thereof;  
 FIG. 5 is a front elevational view thereof;  
 FIG. 6 is a rear elevational view thereof.



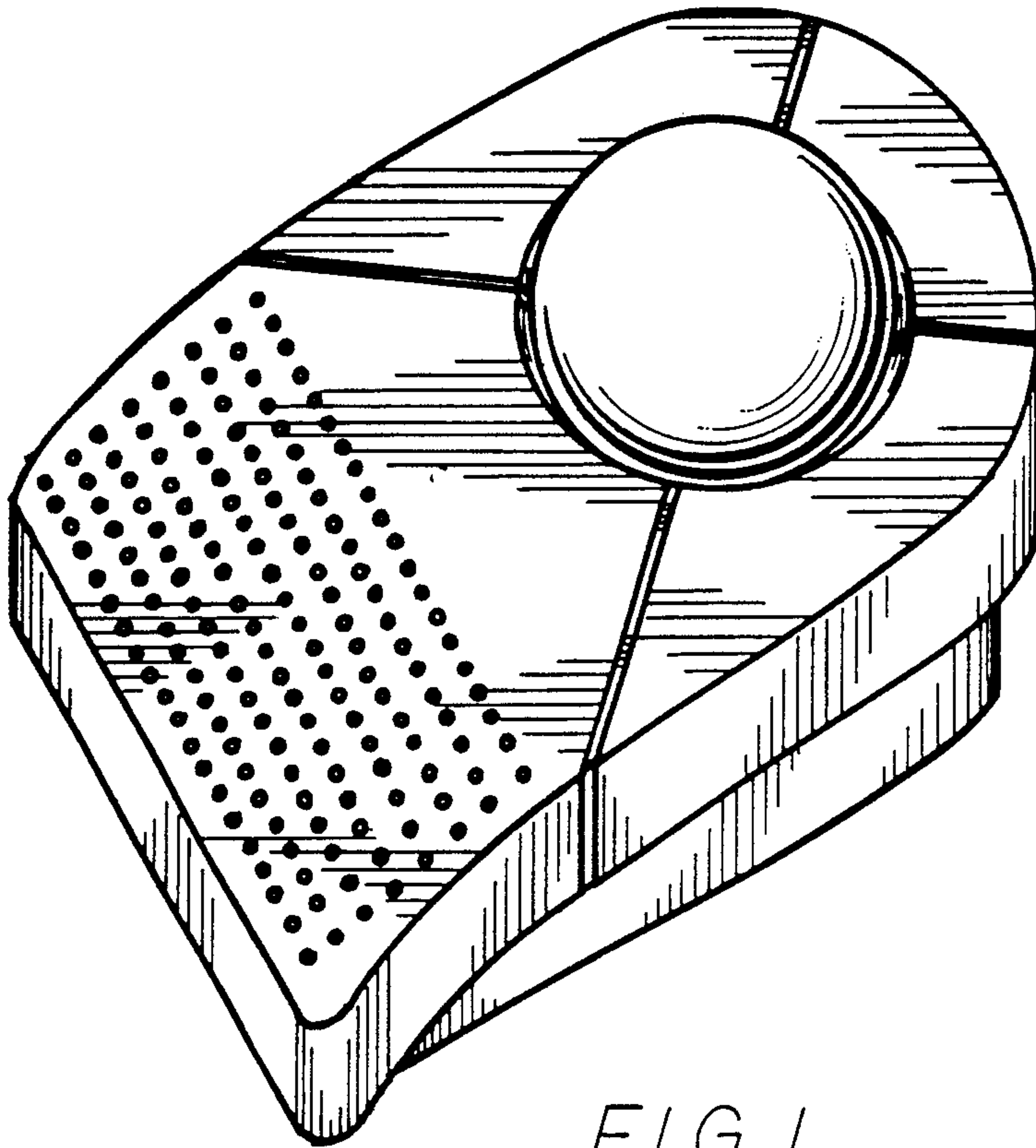


FIG. 1

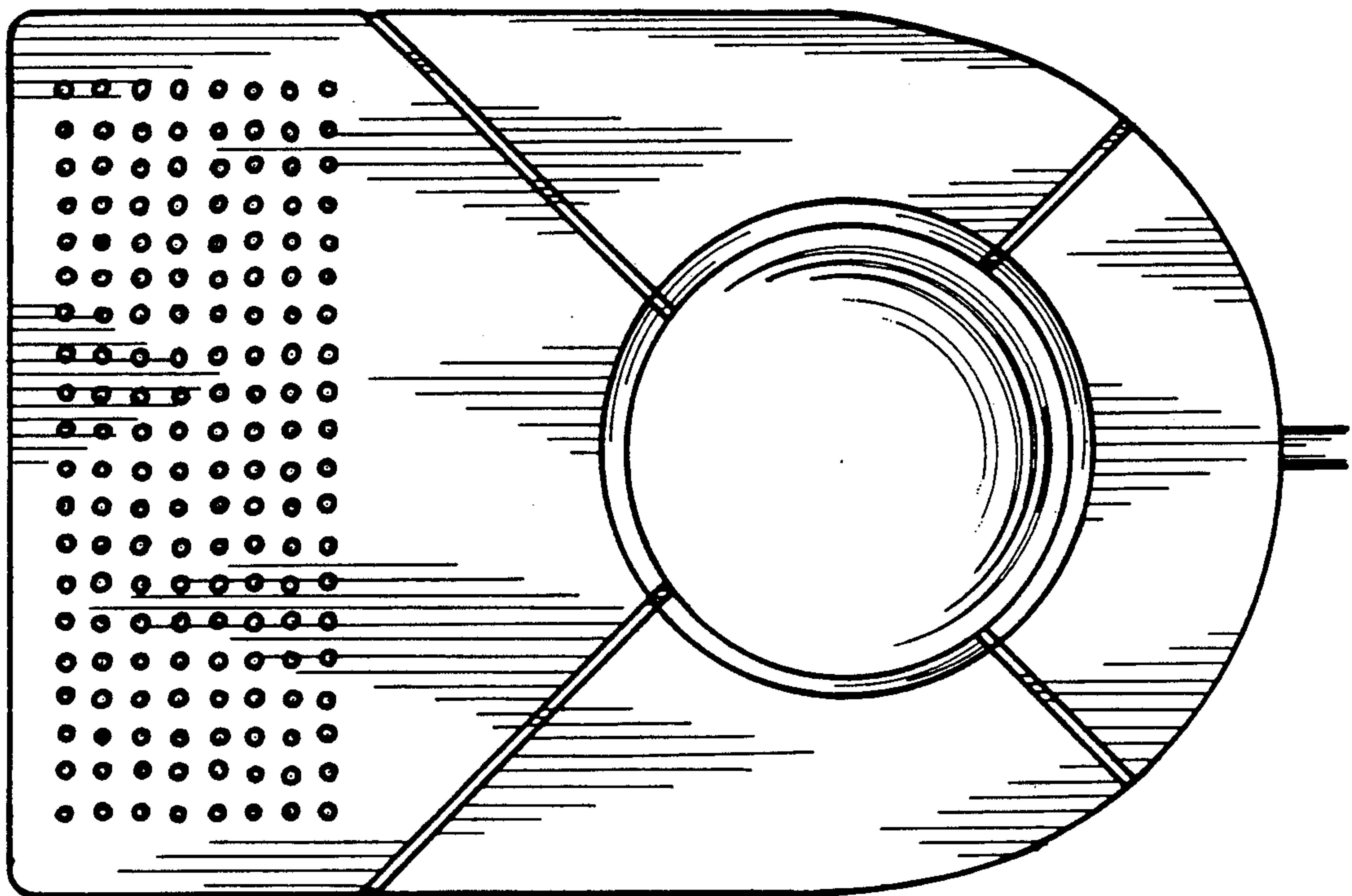


FIG. 2

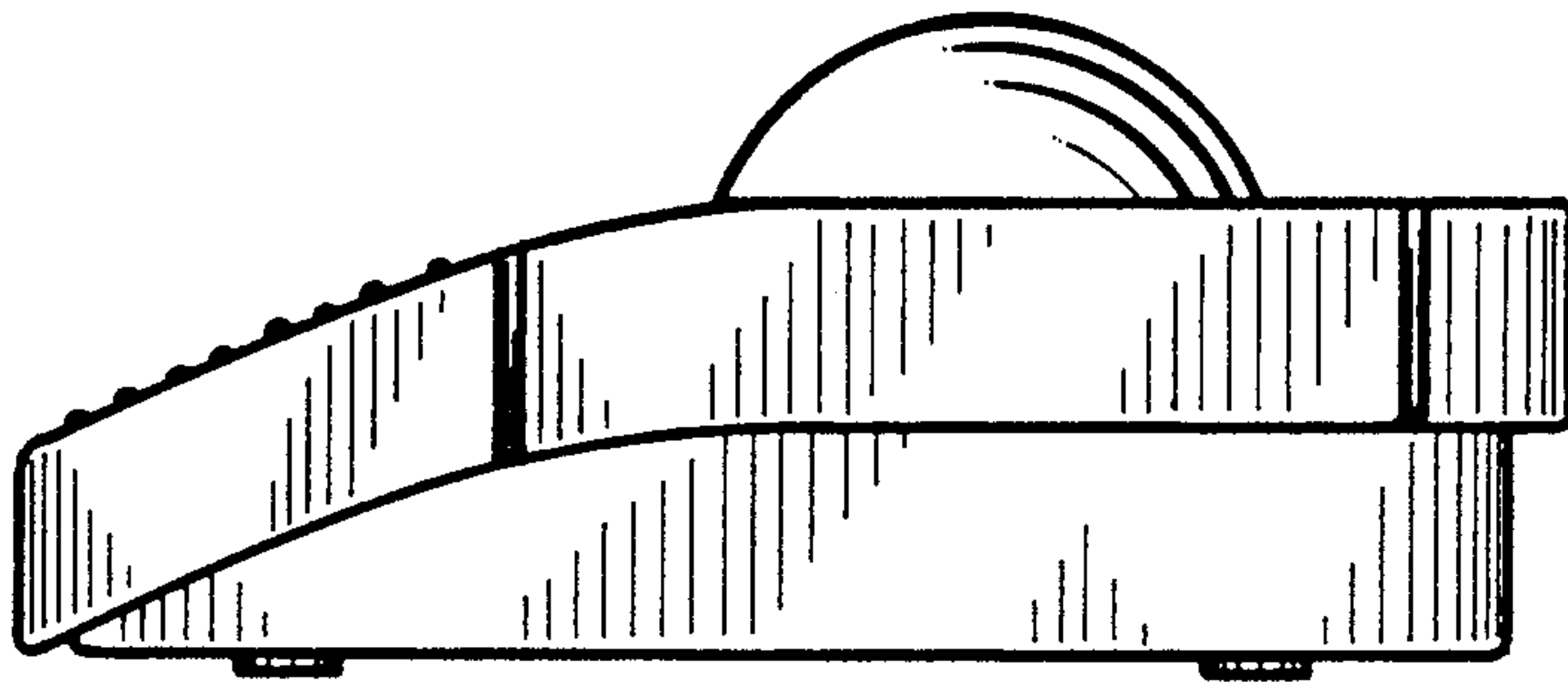


FIG. 3

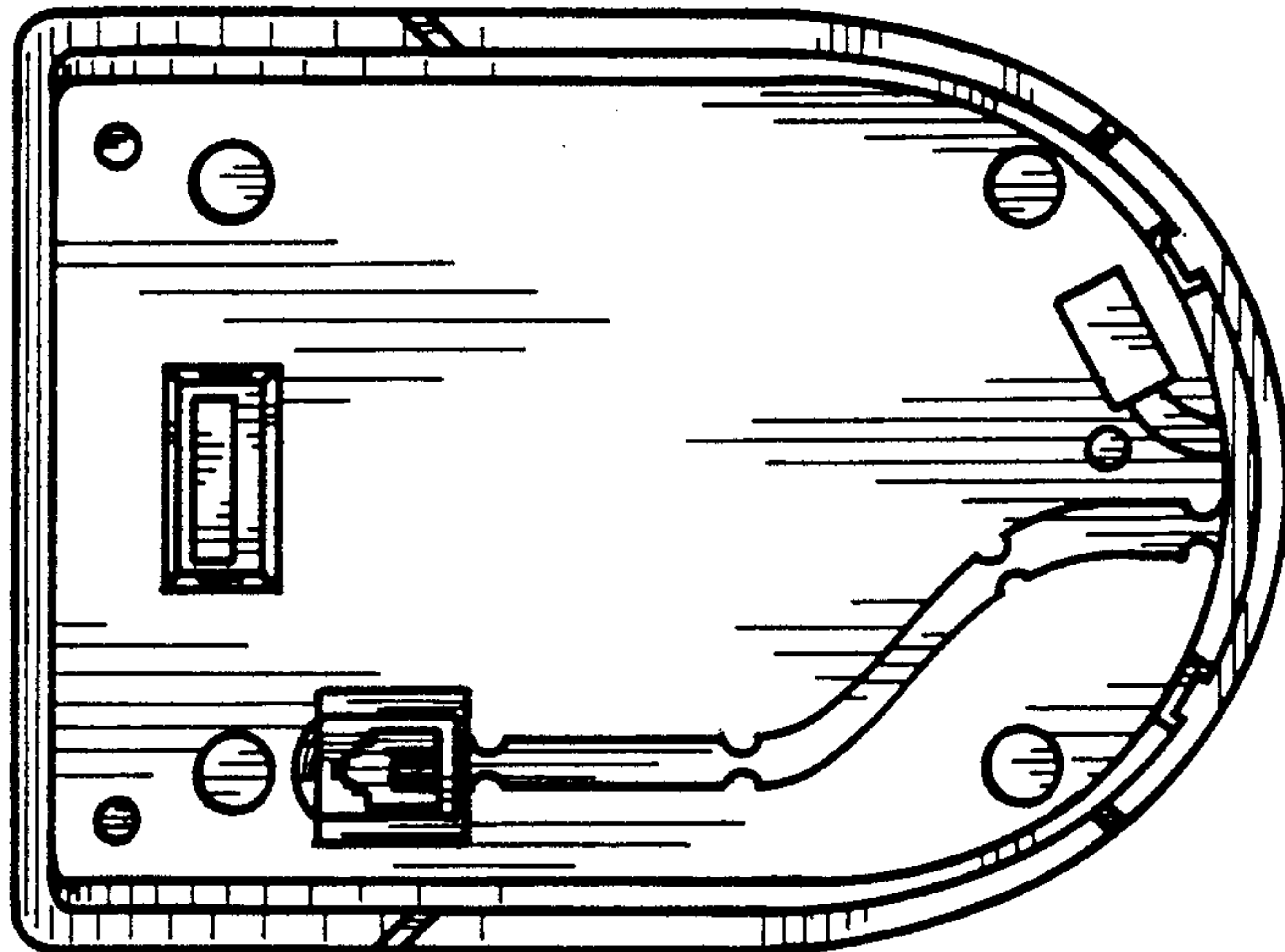


FIG. 4

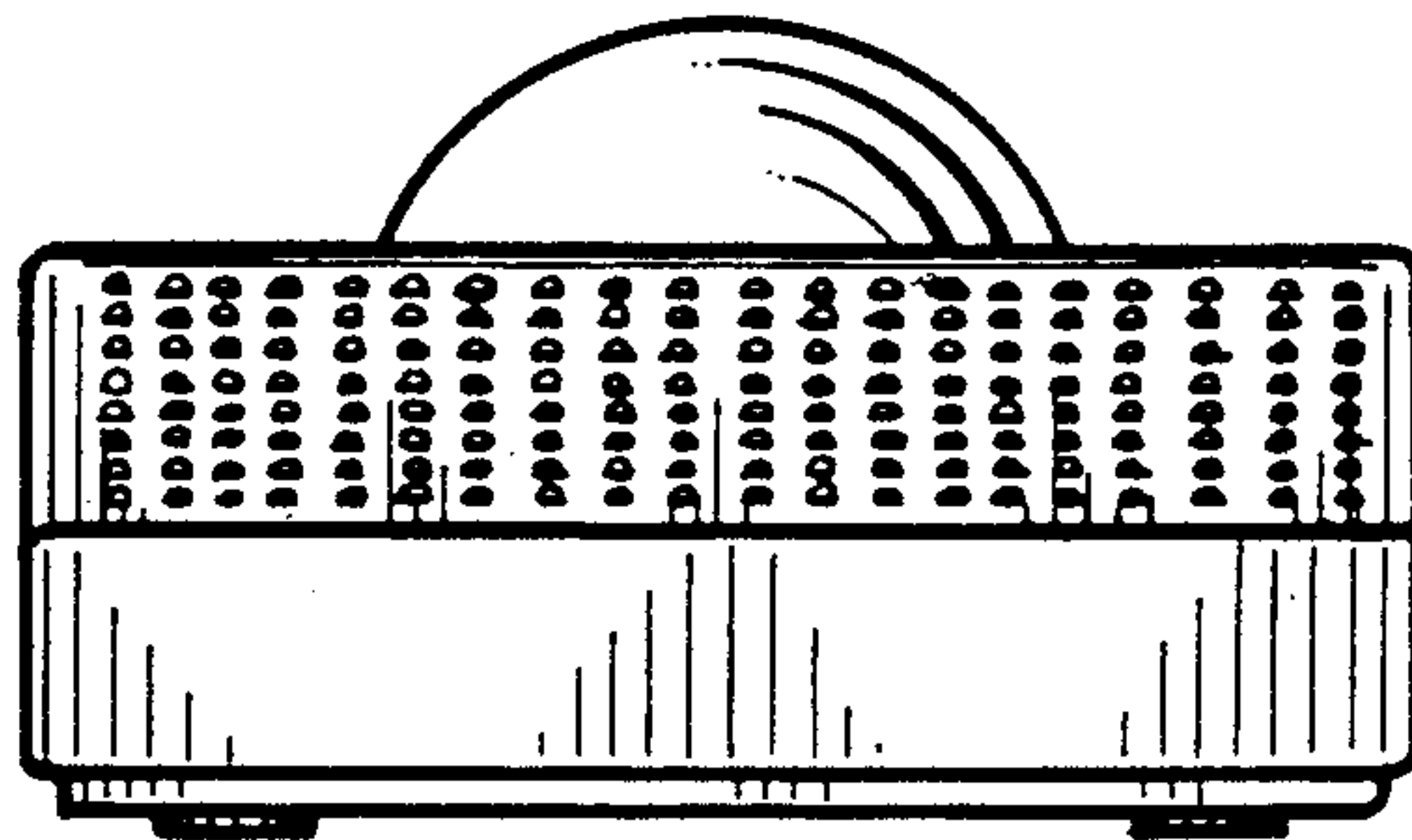


FIG. 5

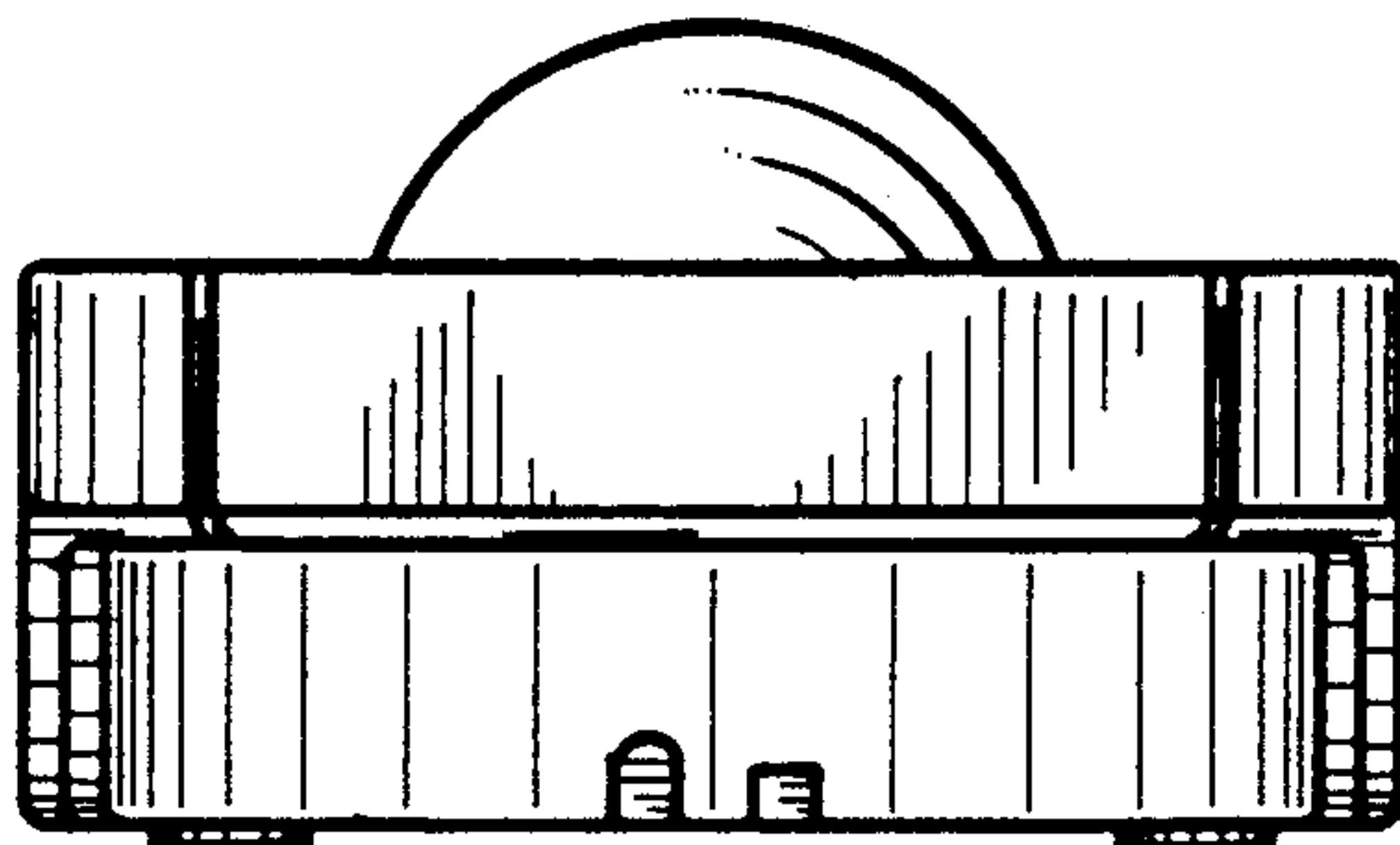


FIG. 6