

# United States Patent [19]

Clough et al.

[11] Patent Number: **Des. 315,549**

[45] Date of Patent: **\*\* Mar. 19, 1991**

[54] **PORTABLE COMPUTER WITH TOUCH SCREEN**

[75] Inventors: **William A. Clough, Bainsville; Daniel Ouelette, St. Luc, both of Canada**

[73] Assignee: **Microslate, Inc., Brossard, Canada**

[\*\*] Term: **14 Years**

[21] Appl. No.: **271,061**

[22] Filed: **Nov. 14, 1988**

[52] U.S. Cl. .... **D14/100**

[58] Field of Search ..... **D14/100, 106, 107, 113, D14/115; D18/1, 7, 11, 12; 235/145 A, 145 R; 312/208; 340/700, 706, 711, 712; 341/22, 23; 358/249, 254; 364/706-710; 400/489, 492, 496**

[56] **References Cited**

**U.S. PATENT DOCUMENTS**

- D. 278,341 4/1985 Scheid ..... D14/100
- D. 303,788 10/1989 Kondoh et al. .... D14/100
- D. 305,536 1/1990 Richards et al. .... D14/100
- 4,545,023 10/1985 Mizzi ..... 364/708 X

- 4,811,004 3/1989 Person et al. .... 340/706 X
- 4,812,830 3/1989 Doering ..... 340/712
- 4,814,760 3/1989 Johnston et al. .... 340/712 X

*Primary Examiner*—Wallace R. Burke

*Assistant Examiner*—Freda S. Nunn

*Attorney, Agent, or Firm*—Nutter, McClennen & Fish

[57] **CLAIM**

The ornamental design for a portable computer with touch screen, as shown and described.

**DESCRIPTION**

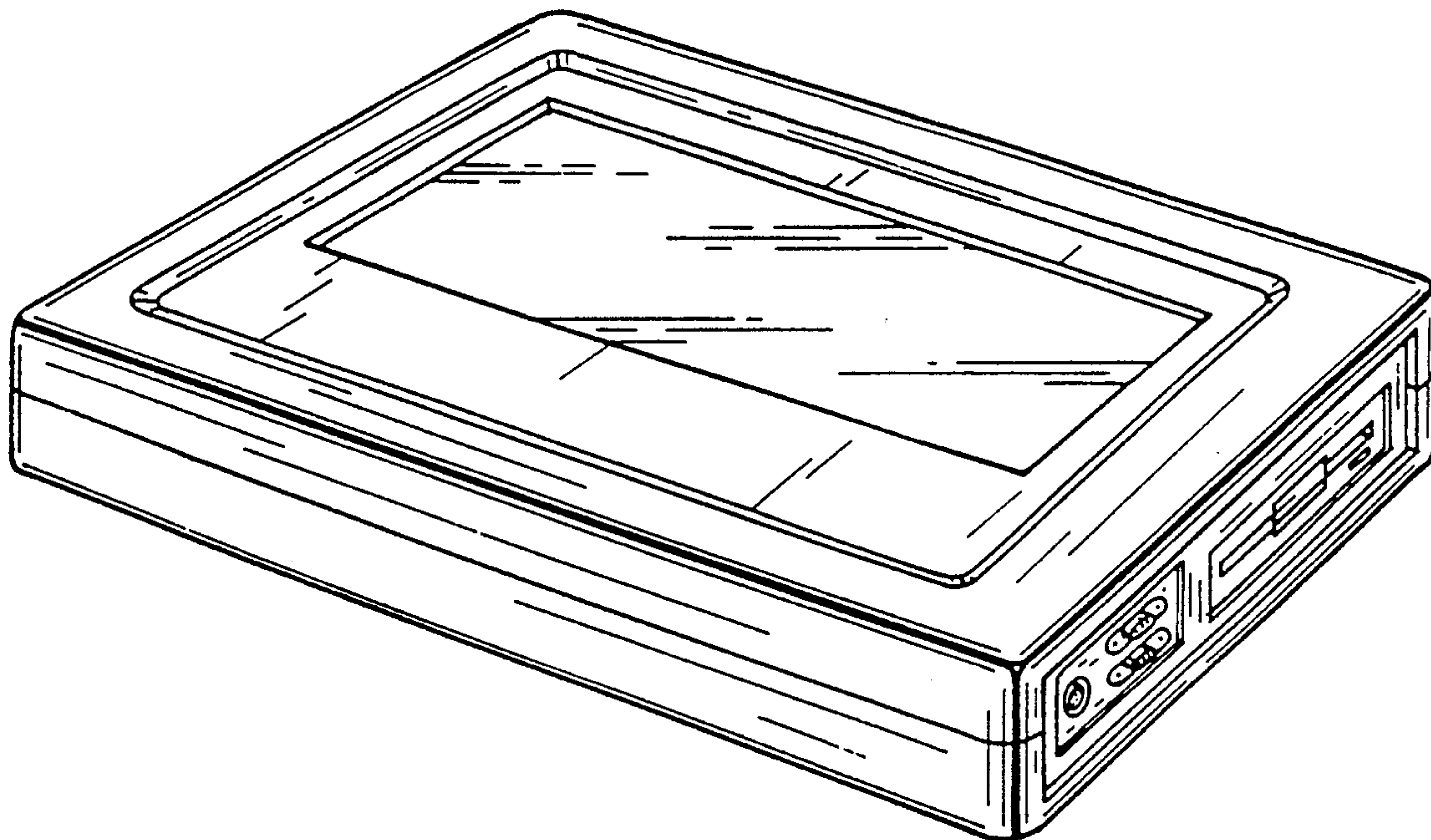
FIG. 1 is a top, front, right side perspective view of a portable computer with touch screen showing our new design;

FIG. 2 is a right side elevational view thereof on an enlarged scale;

FIG. 3 is a left side elevational view thereof on an enlarged scale;

FIG. 4 is a bottom plan view thereof on an enlarged scale; and

FIG. 5 is a top plan view thereof on an enlarged scale. The rear is a mirror image of the front as shown in FIG. 1.



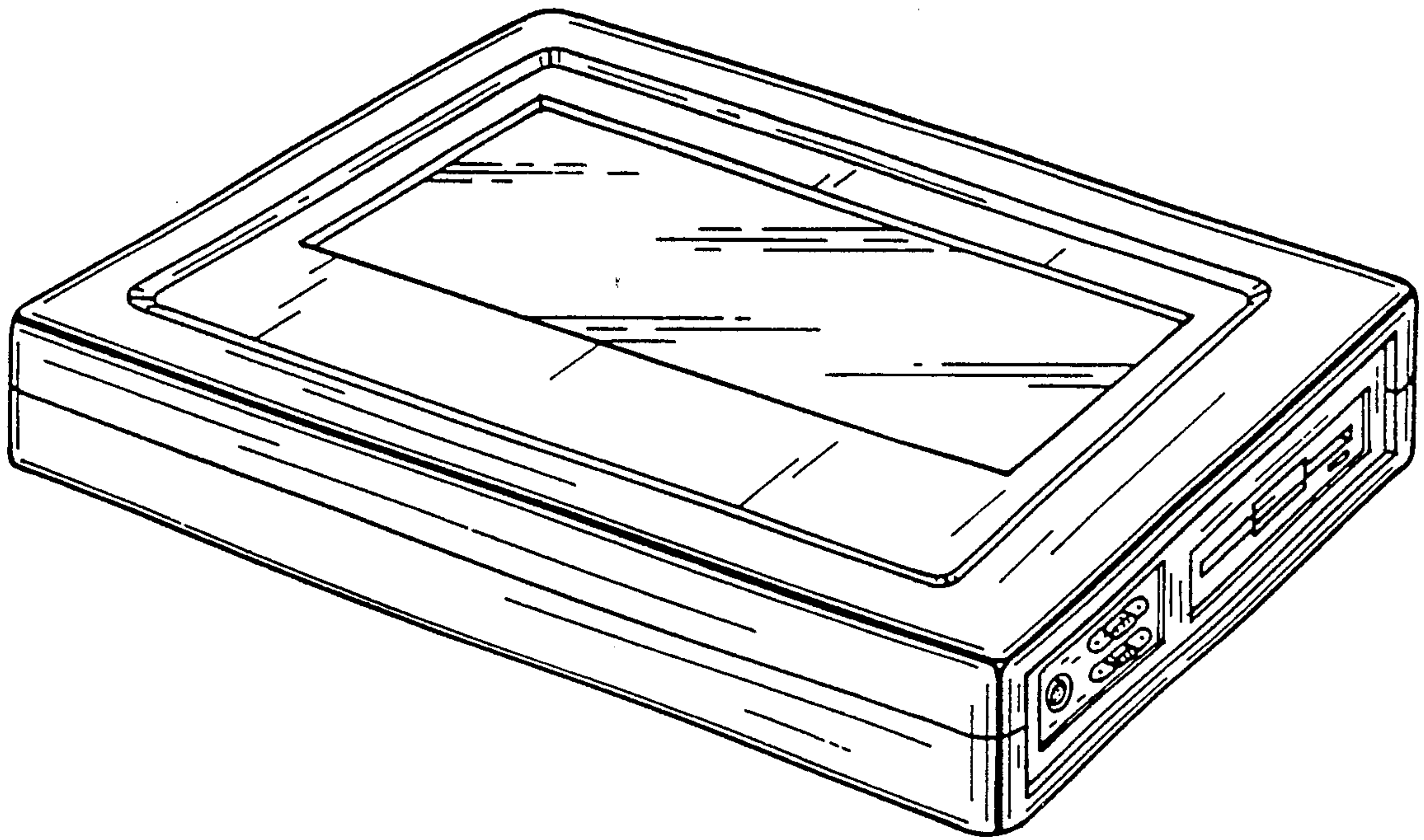


FIG. 1

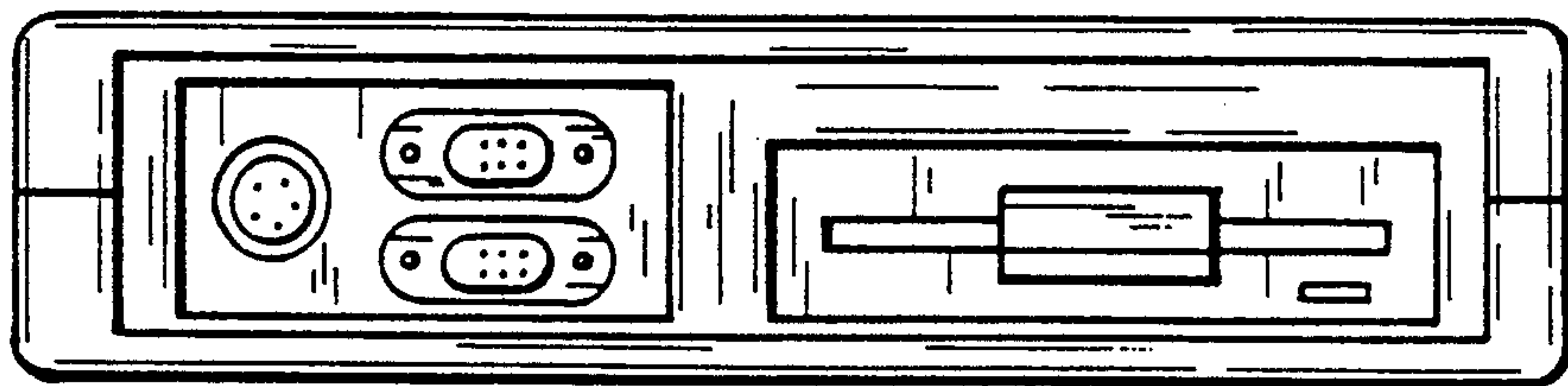


FIG. 2

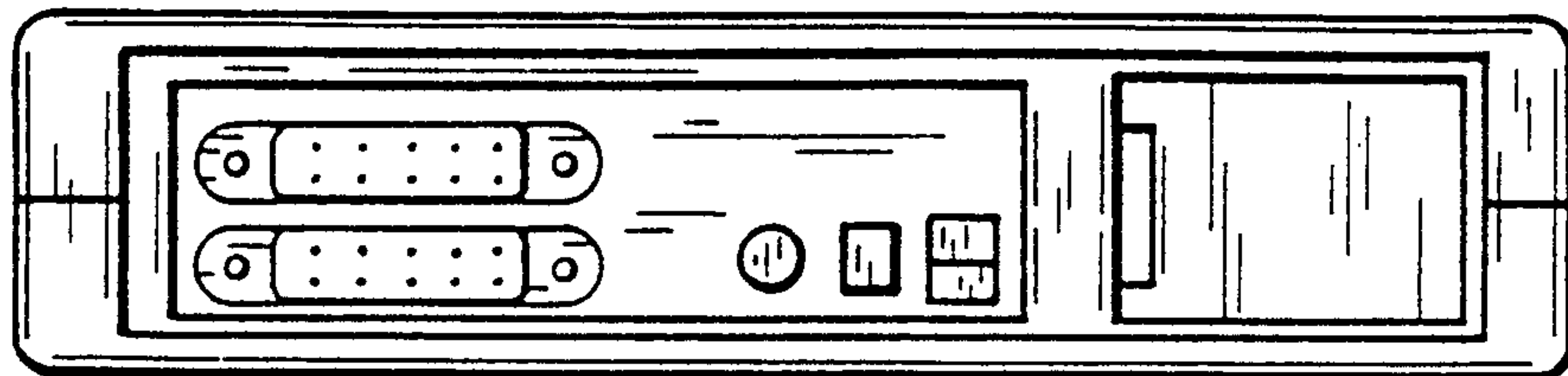


FIG. 3

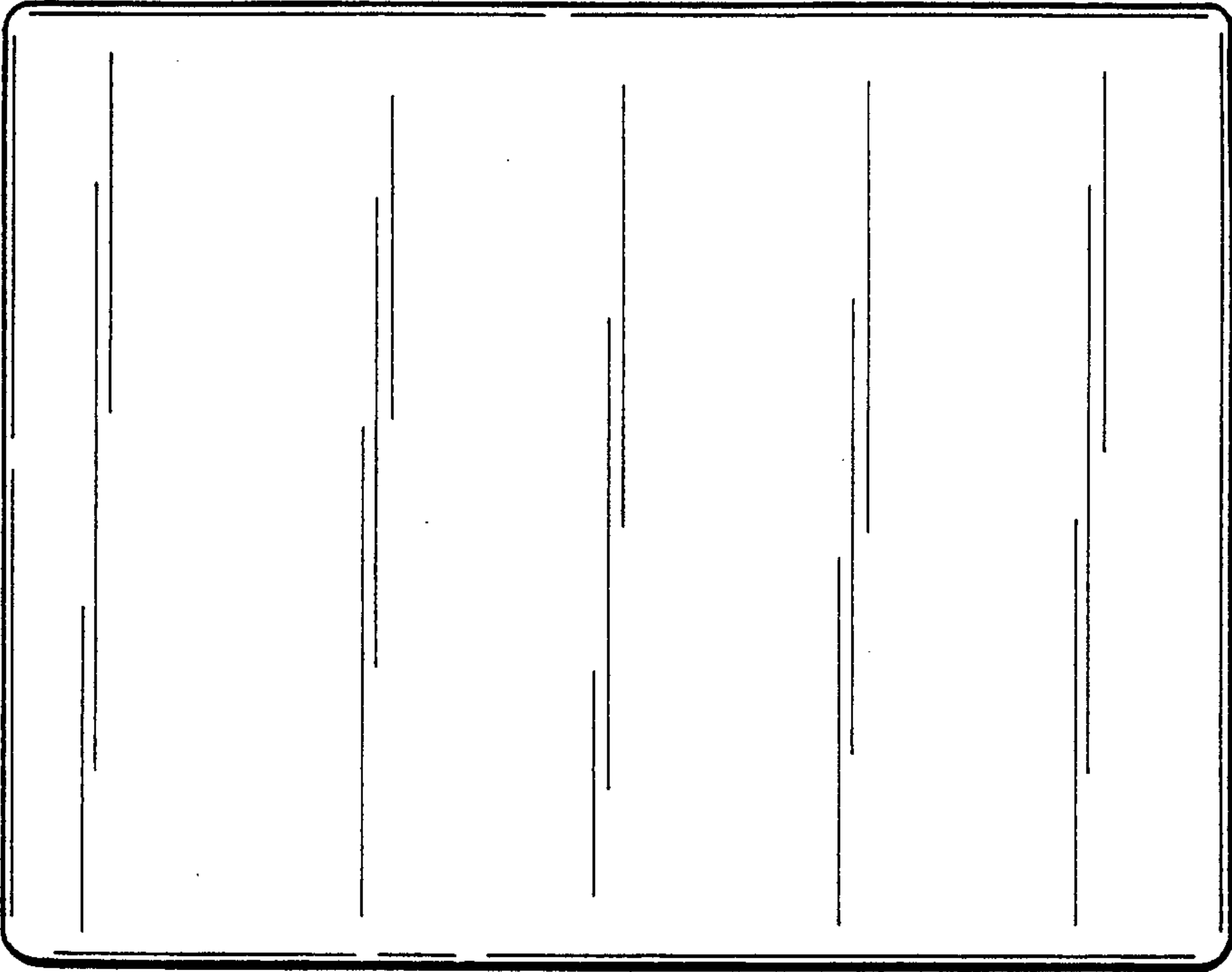


FIG. 4

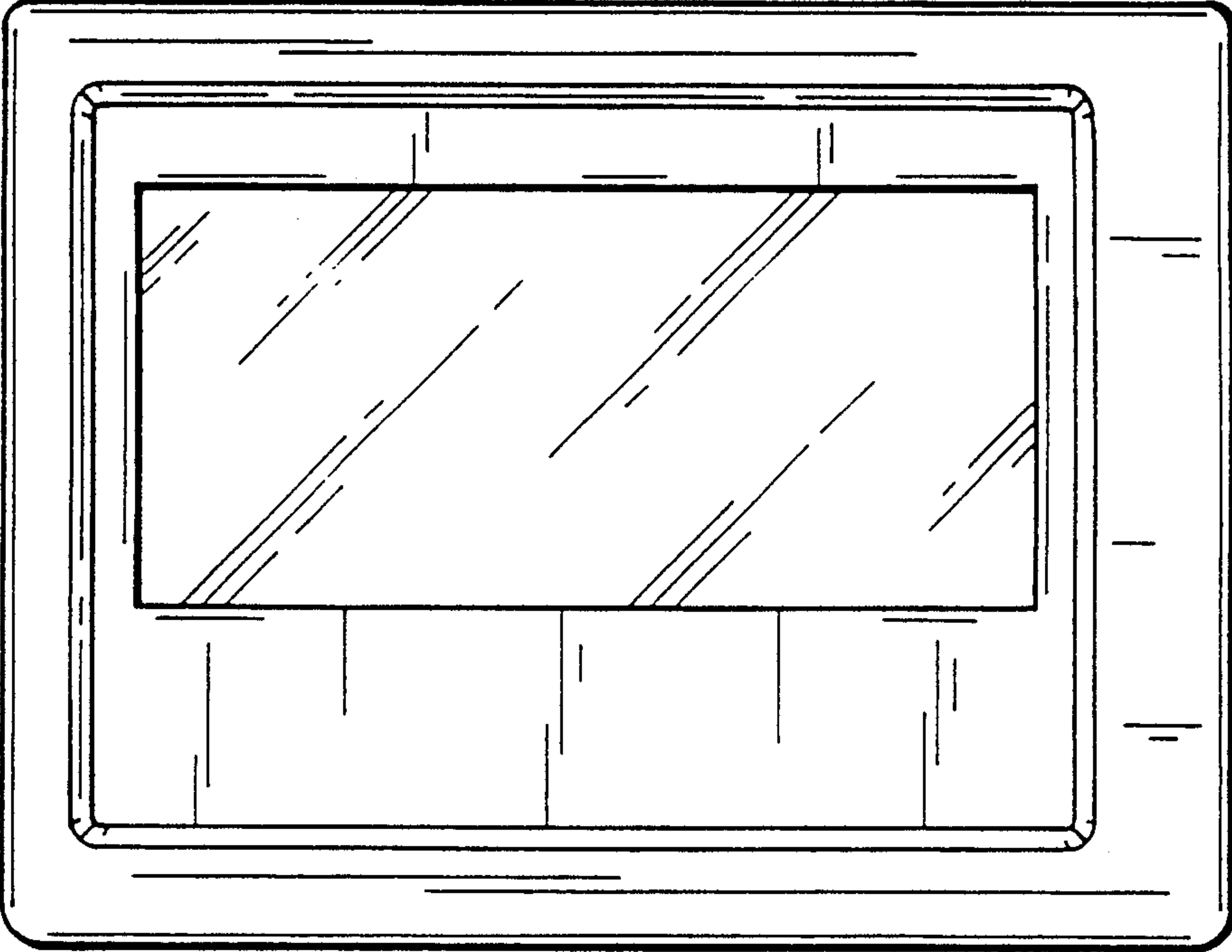


FIG. 5