

[54] ELECTRICAL CONNECTOR

[75] Inventors: Leonid Soren, Lincolnwood; Gary R. Weiss, Wheeling, both of Ill.

[73] Assignee: Motorola, Inc., Schaumburg, Ill.

[**] Term: 14 Years

[21] Appl. No.: 260,335

[22] Filed: Oct. 20, 1988

[52] U.S. Cl. D13/133

[58] Field of Search D13/133; 439/668, 669

[56] References Cited

U.S. PATENT DOCUMENTS

D. 267,713	1/1983	Noda et al.	D13/133
2,980,791	4/1961	Schumacher	439/668
3,099,505	7/1963	Schwartz	439/668
3,309,598	3/1967	Montgomery et al.	439/668
3,366,917	1/1968	Karol	D13/133
4,248,494	2/1981	McDonald et al.	439/668

FOREIGN PATENT DOCUMENTS

1258946	1/1968	Fed. Rep. of Germany	439/668
---------	--------	----------------------------	---------

OTHER PUBLICATIONS

Motorola, Inc.: Service Manual No. 68P81117E47-A (10/31/86), "Cellular Portable Telephone Accessories", FIGS. 1 and 2 and p. 11.

Radio Shack: 1988 Catalog No. 419, p. 60, Published Before Oct. 1988.

Mole-Tech Plastics: "Fused Automotive Adaptor Plug", Catalog Sheet 1985.

Mold-Tech Plastics: "Dual Negative Contact Automotive Adaptor Plug", Catalog Sheet, 1987.

Radio Shack 1987 Cat., p44, (5) Car/Book DC Adaptor, Top Right Ride of Page, Copy in Examina Sacavage's Office.

Primary Examiner—James M. Gandy

Assistant Examiner—Lisa Lichtenstein

Attorney, Agent, or Firm—Raymond A. Jencki; Rolland R. Hackbart

[57] CLAIM

The ornamental design for an electrical connector as shown and described.

DESCRIPTION

FIG. 1 is a top, front, and left side perspective view of an electrical connector showing our new design in full lines, with the broken line matter being for illustrative purposes only and forming no part of the claimed design;

FIG. 2 is a rear elevation view thereof;

FIG. 3 is a bottom plan view thereof;

FIG. 4 is a right side elevation view thereof; and

FIG. 5 is a top front and left side perspective view of an electrical connector showing a second embodiment of our new design, with the broken line matter being for illustrative purposes only and forming no part of the claimed design, it being understood that the bottom and rear are mirror images of the top and front as shown, and the right side is the same as the right side of the first embodiment, as shown in FIG. 4.

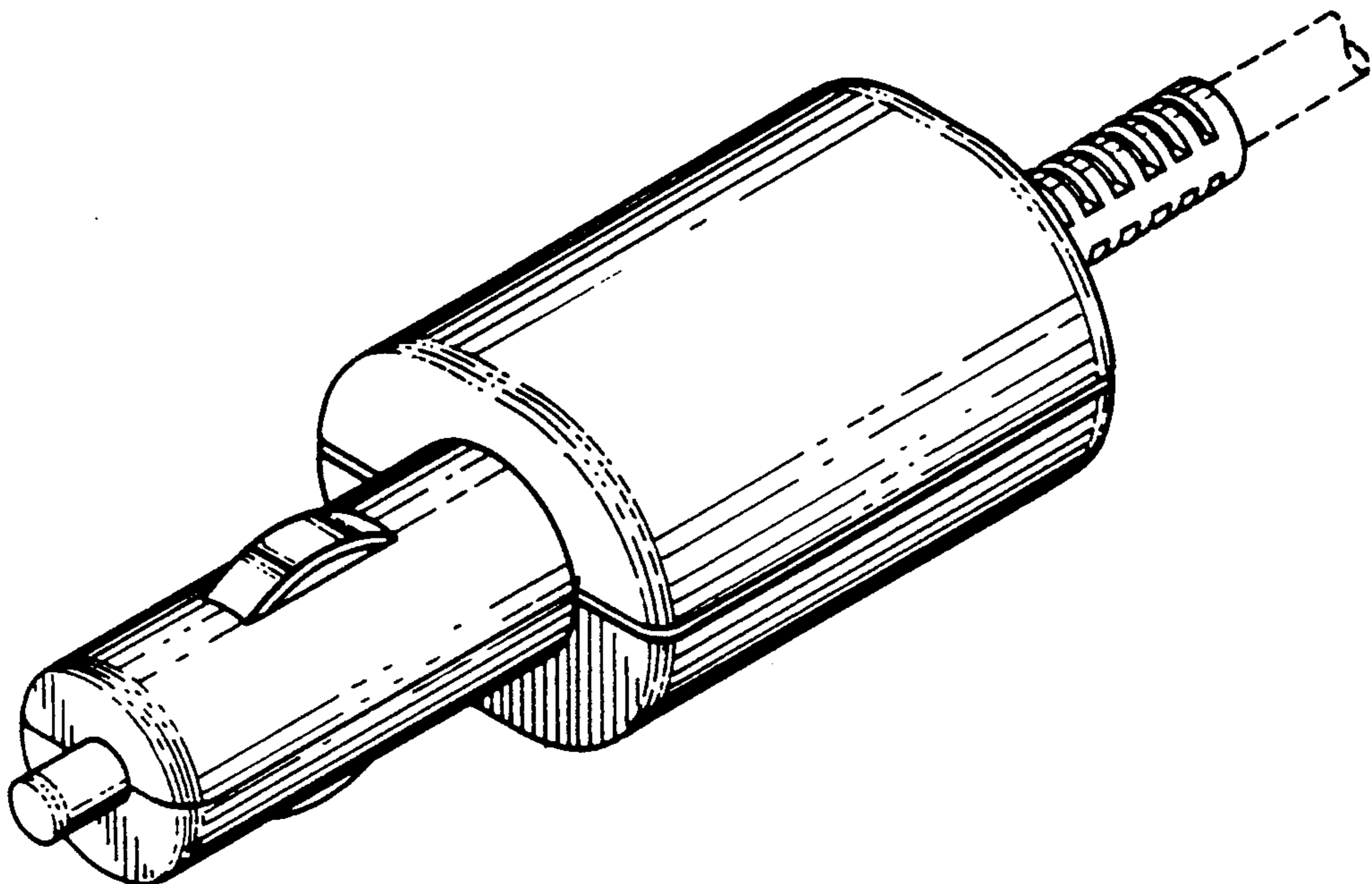


FIG. 1

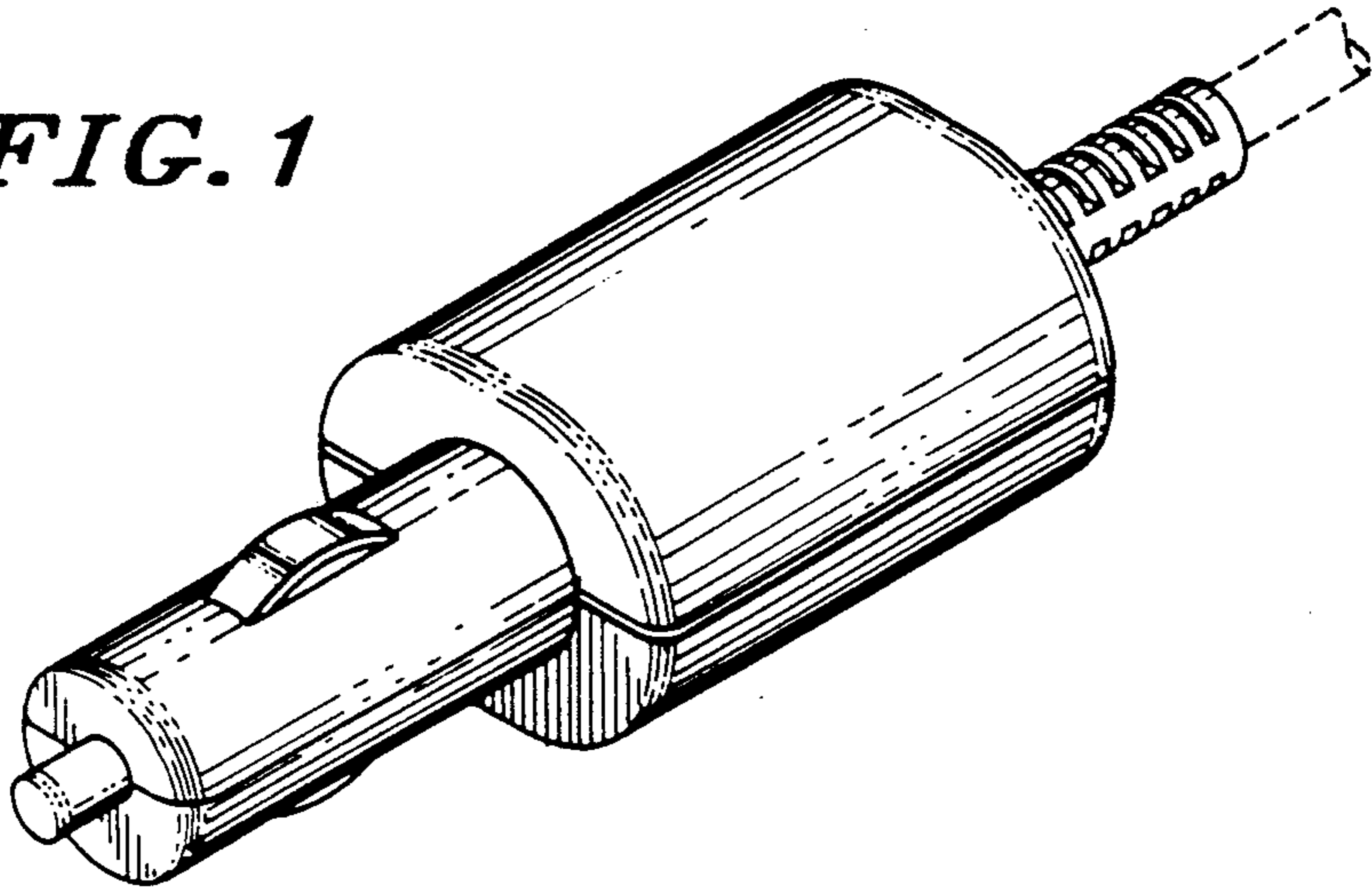


FIG. 2

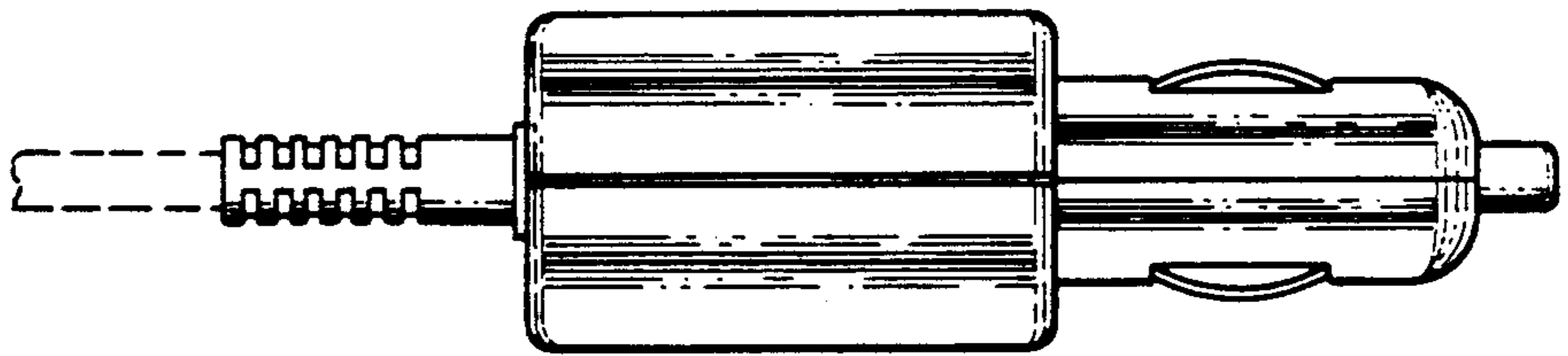


FIG. 3

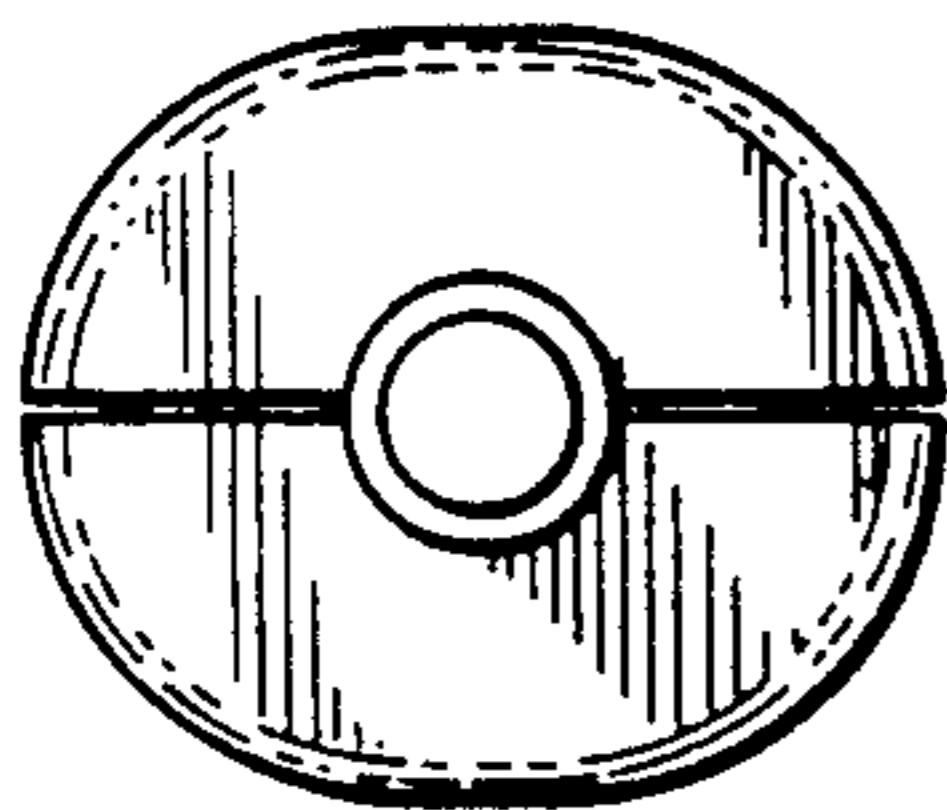
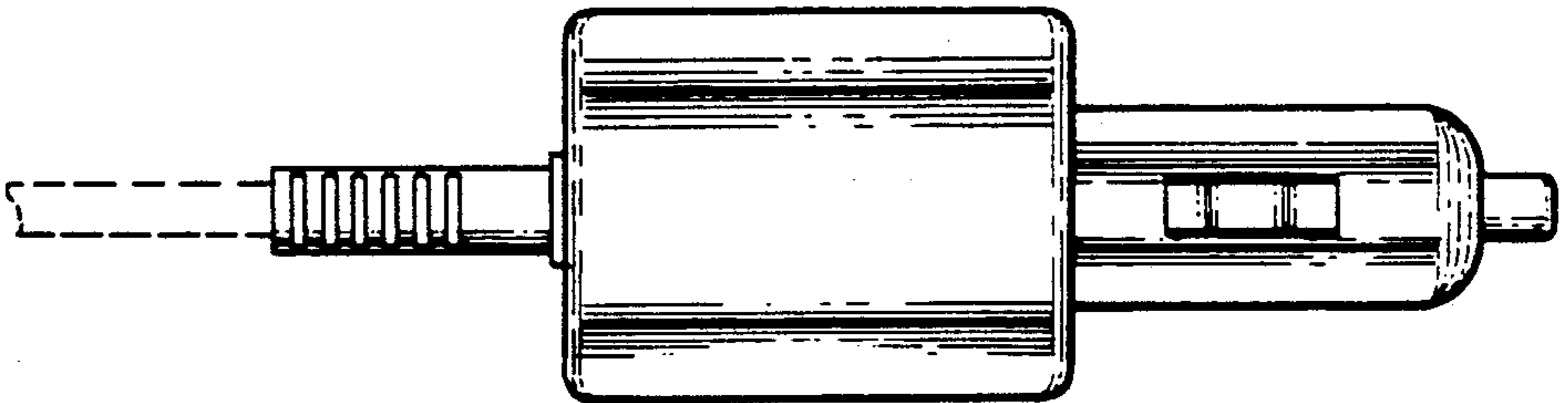


FIG. 4

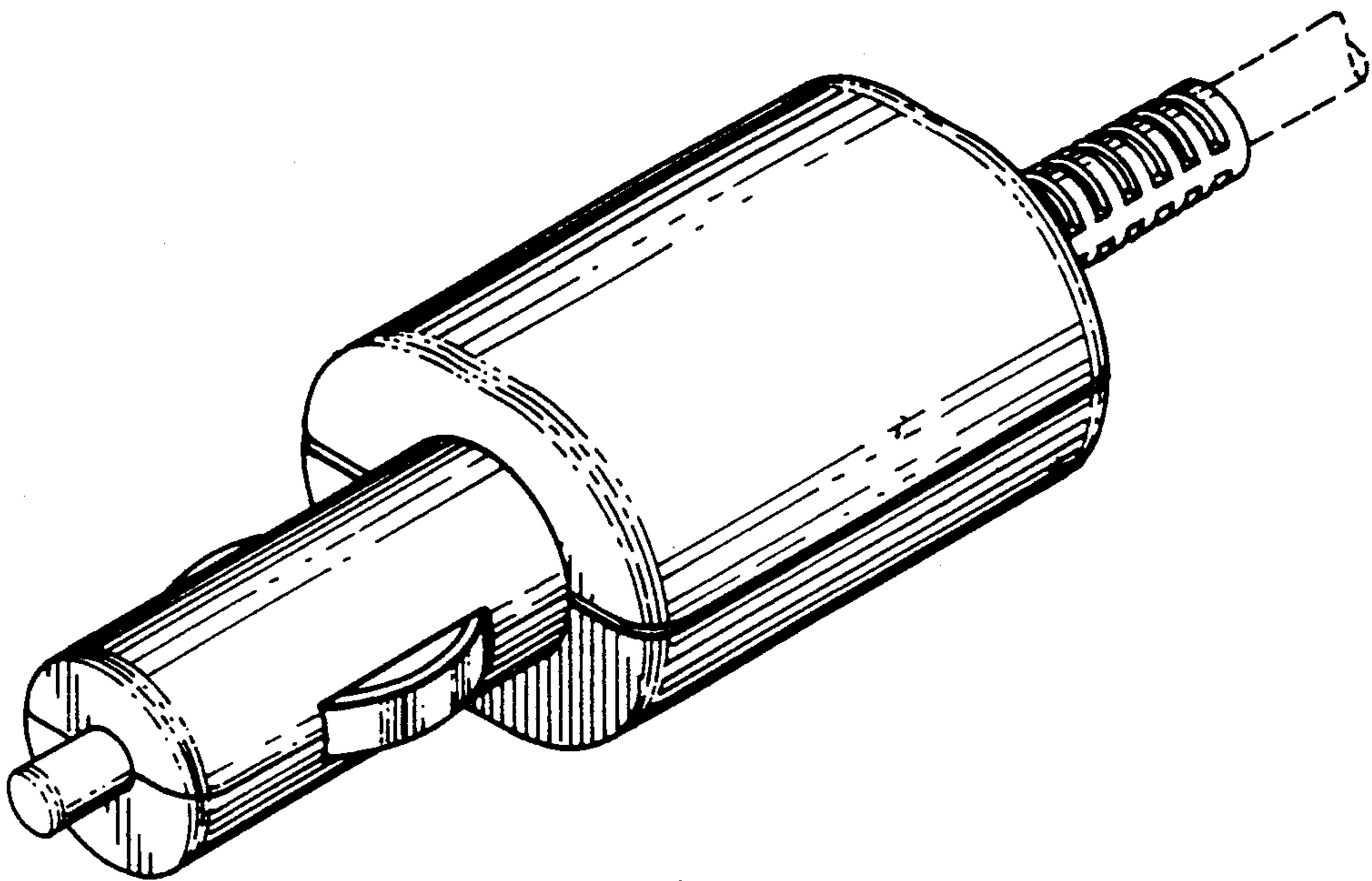


FIG. 5