

[54] **GLARE REDUCTION SHIELD FOR ATTACHMENT TO A VEHICLE MIRROR OR SIMILAR ARTICLE**

[76] **Inventor: Charles C. Rebeck, R.R. 3, Box 28A, Winamac, Ind. 46996**

[**] **Term: 14 Years**

[21] **Appl. No.: 231,990**

[22] **Filed: Aug. 15, 1988**

[52] **U.S. Cl. D12/187; D12/191**

[58] **Field of Search D12/187; 350/582, 584, 350/276 R, 283; 296/97.1**

[56] **References Cited**

U.S. PATENT DOCUMENTS

1,990,222	2/1935	Burlein	350/283
2,639,641	5/1953	Piwczynski et al.	350/283
3,133,139	5/1964	Beers	350/283
4,231,540	11/1980	Duncan et al.	D12/187
4,253,737	3/1981	Thomsen et al.	350/276 R
4,560,251	12/1985	Murjahn	350/283
4,639,085	1/1987	Marcus et al.	350/283
4,865,421	9/1989	Lu et al.	350/283

FOREIGN PATENT DOCUMENTS

0395763 12/1965 Switzerland 296/97.1

OTHER PUBLICATIONS

J. C. Whitney & Co Catalog, No. 479, Feb. 1987, p. 80, Parts & Accessories Outside Rear View Mirror.

Primary Examiner—James M. Gandy
Assistant Examiner—Melody Brown
Attorney, Agent, or Firm—Woodard, Emhardt, Naughton, Moriarty & McNett

[57] **CLAIM**

The ornamental design for a glare reduction shield for attachment to a vehicle mirror or similar article, as shown.

DESCRIPTION

FIG. 1 is a front elevational view of a glare reduction shield for attachment to a vehicle mirror or similar article showing my new design;
 FIG. 2 is a right side elevational view thereof;
 FIG. 3 is a left side elevational view thereof;
 FIG. 4 is a top plan view thereof;
 FIG. 5 is a bottom plan view thereof;
 FIG. 6 is a rear elevational view thereof;
 FIG. 7 is a sectional view thereof taken along line 7—7 in FIG. 6 showing the channel and assembly configuration that is typical around the periphery thereof.

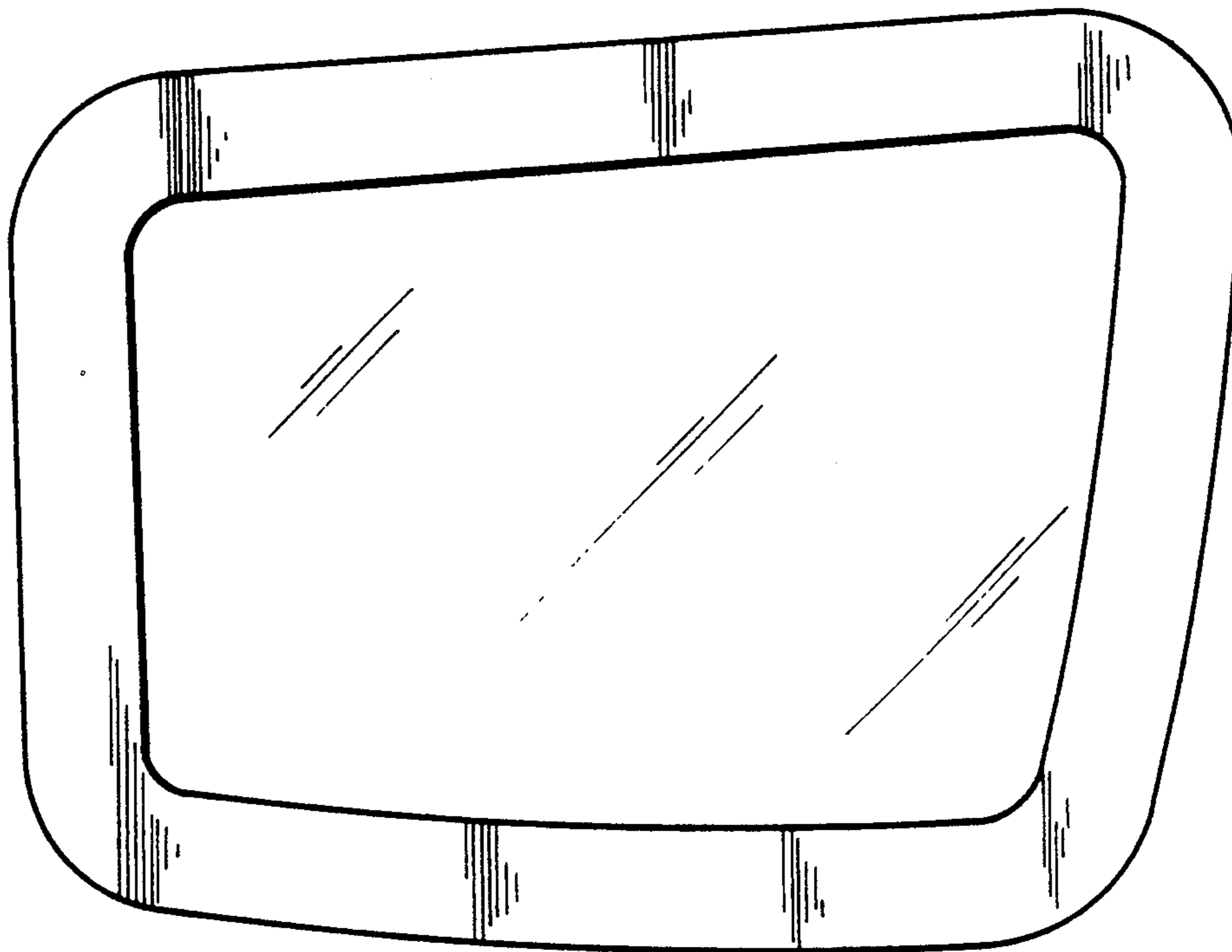




Fig. 4

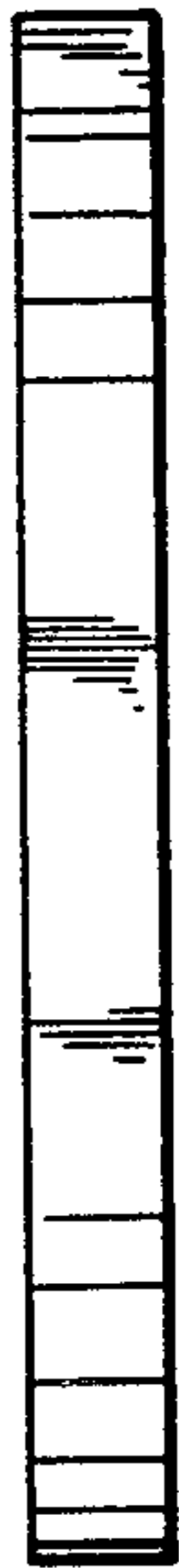


Fig. 3

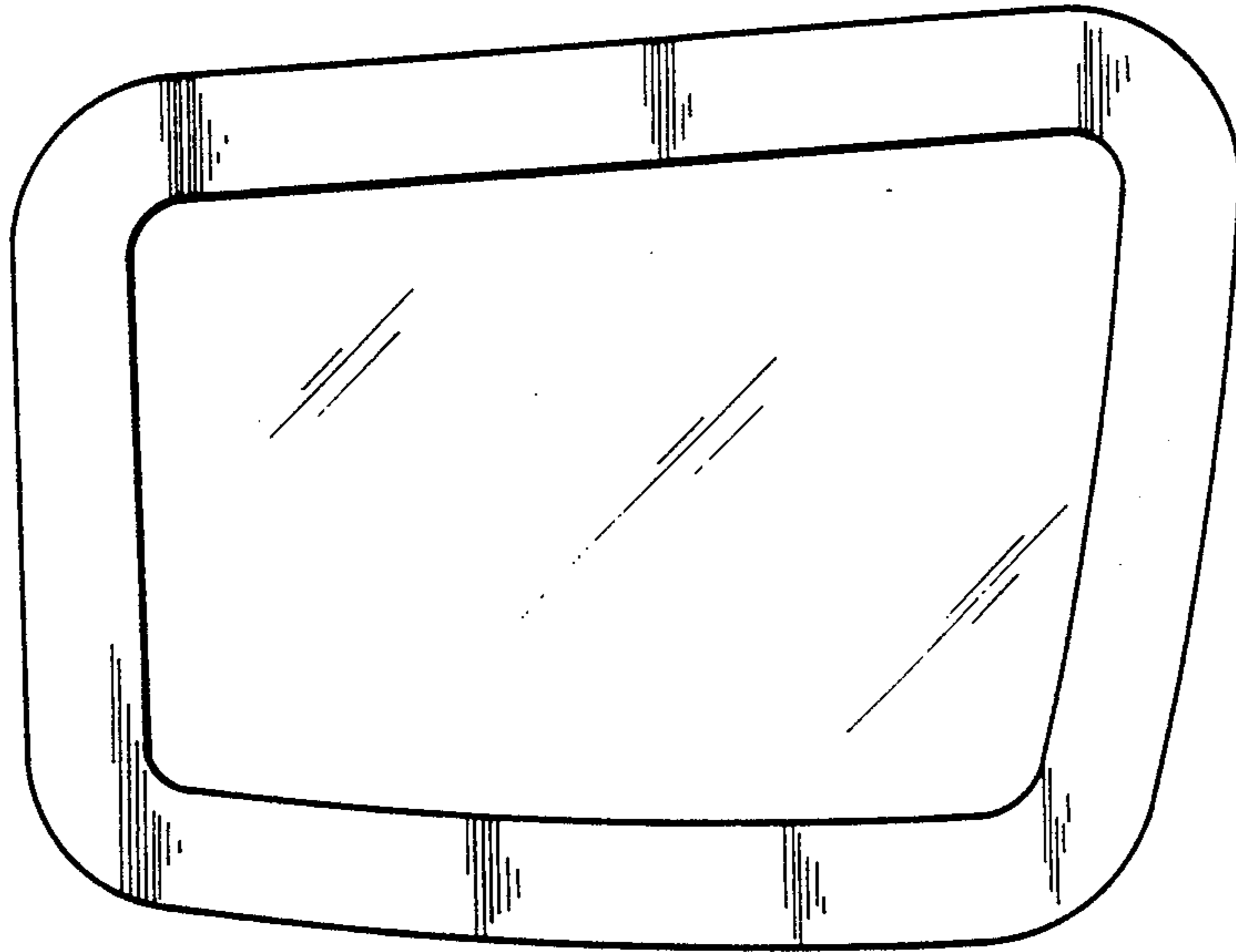


Fig. 1



Fig. 2



Fig. 5

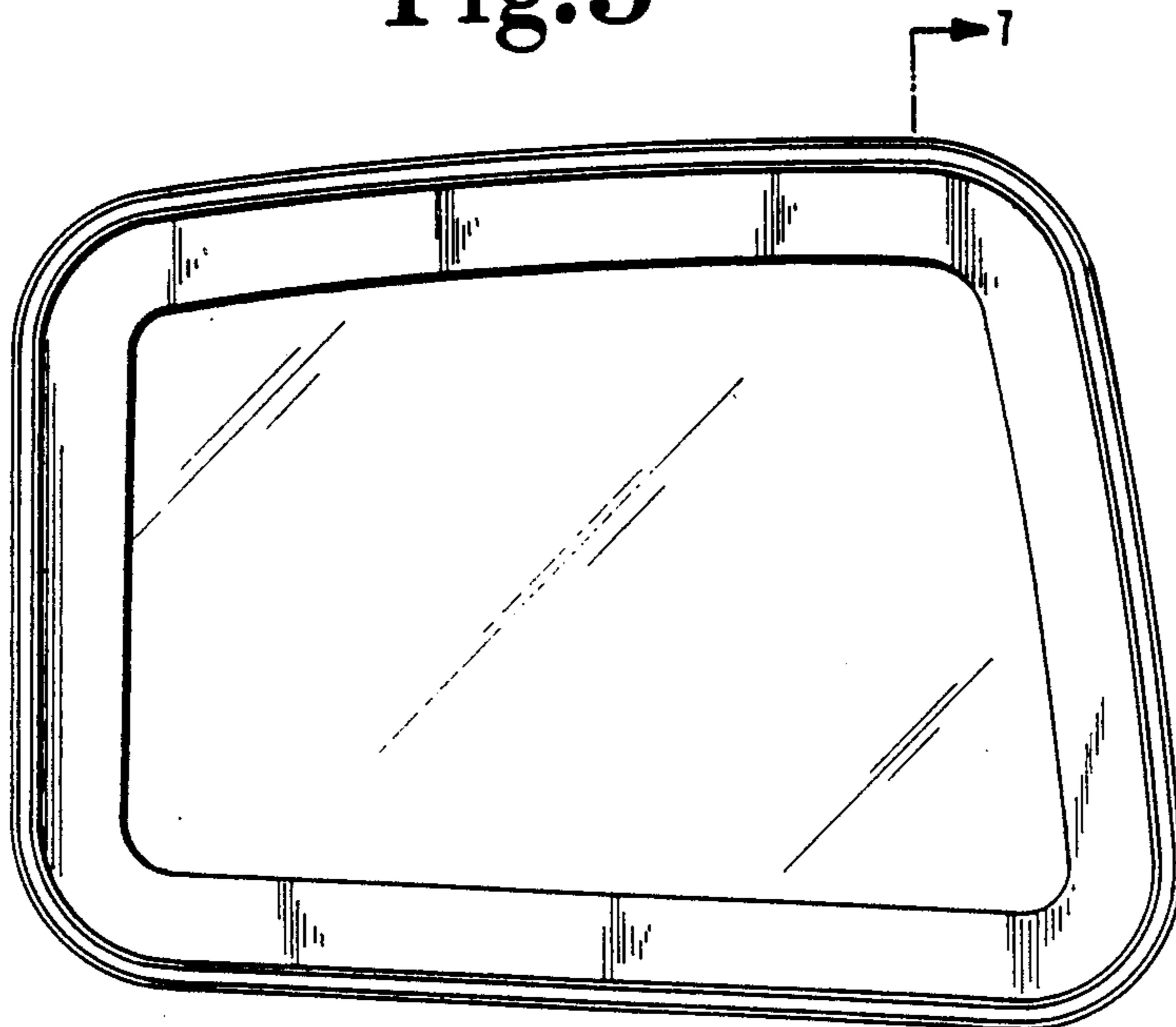


Fig. 6

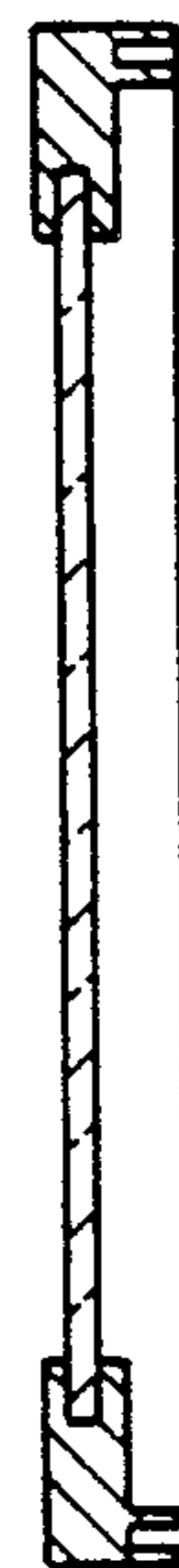


Fig. 7