

[54] TOOL BOX FOR VEHICLE HAVING ROLL BARS

[76] Inventor: Mike H. Carmody, 451 Deer Park Ave., Babylon, N.Y. 11702

[**] Term: 14 Years

[21] Appl. No.: 513,182

[22] Filed: Apr. 23, 1990

[52] U.S. Cl. D12/157; D3/30.1

[58] Field of Search D3/30.1, 31-35, D3/39, 40, 42-44, 48, 66, 70-79, 99, 102, 105, 106; D6/446, 467, 470, 559, 561; D7/605; D12/156-158; D15/81-88; D19/65, 75, 77, 82, 97; D24/17, 29; 150/113; 190/16, 18 A, 109-111, 119; 206/235, 316.1, 316.2, 349, 372, 373, 472, 44 R; 224/32 A, 42.11, 42.42, 908; 296/37.6; 312/224, DIG. 33

[56] References Cited

U.S. PATENT DOCUMENTS

D. 261,827 11/1981 Dunchock D12/157

D. 273,056 3/1984 Lennon D3/78
D. 275,275 8/1984 Stapp D12/157
D. 278,894 5/1985 James D12/157
D. 298,308 11/1988 Van Kirk D12/157
D. 305,315 1/1990 Fletcher D12/157
4,531,774 7/1985 Whatley 296/37.6
4,674,665 7/1987 Van Kirk 206/349

Primary Examiner—A. Hugo Word
Assistant Examiner—Celia A. Murphy
Attorney, Agent, or Firm—Richard L. Miller

[57] CLAIM

The ornamental design for a tool box for vehicle having roll bars, as shown and described.

DESCRIPTION

FIG. 1 is a perspective view of a tool box for vehicles having roll bars showing my new design; FIG. 2 is a right side elevational view thereof; FIG. 3 is a top plan view thereof; FIG. 4 is a front elevational view thereof; FIG. 5 is a rear elevational view thereof; and FIG. 6 is a bottom plan view thereof.

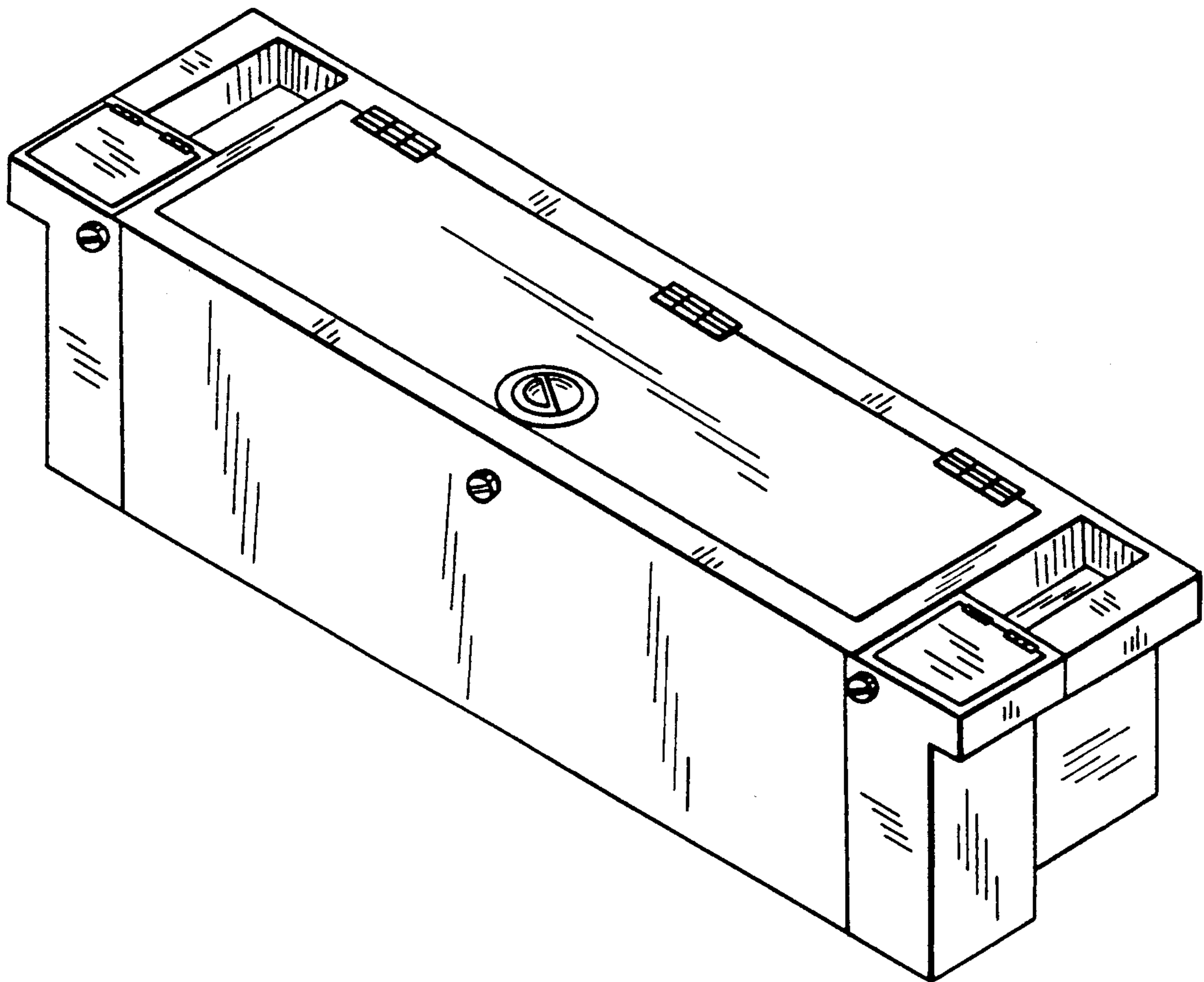


FIG. 1

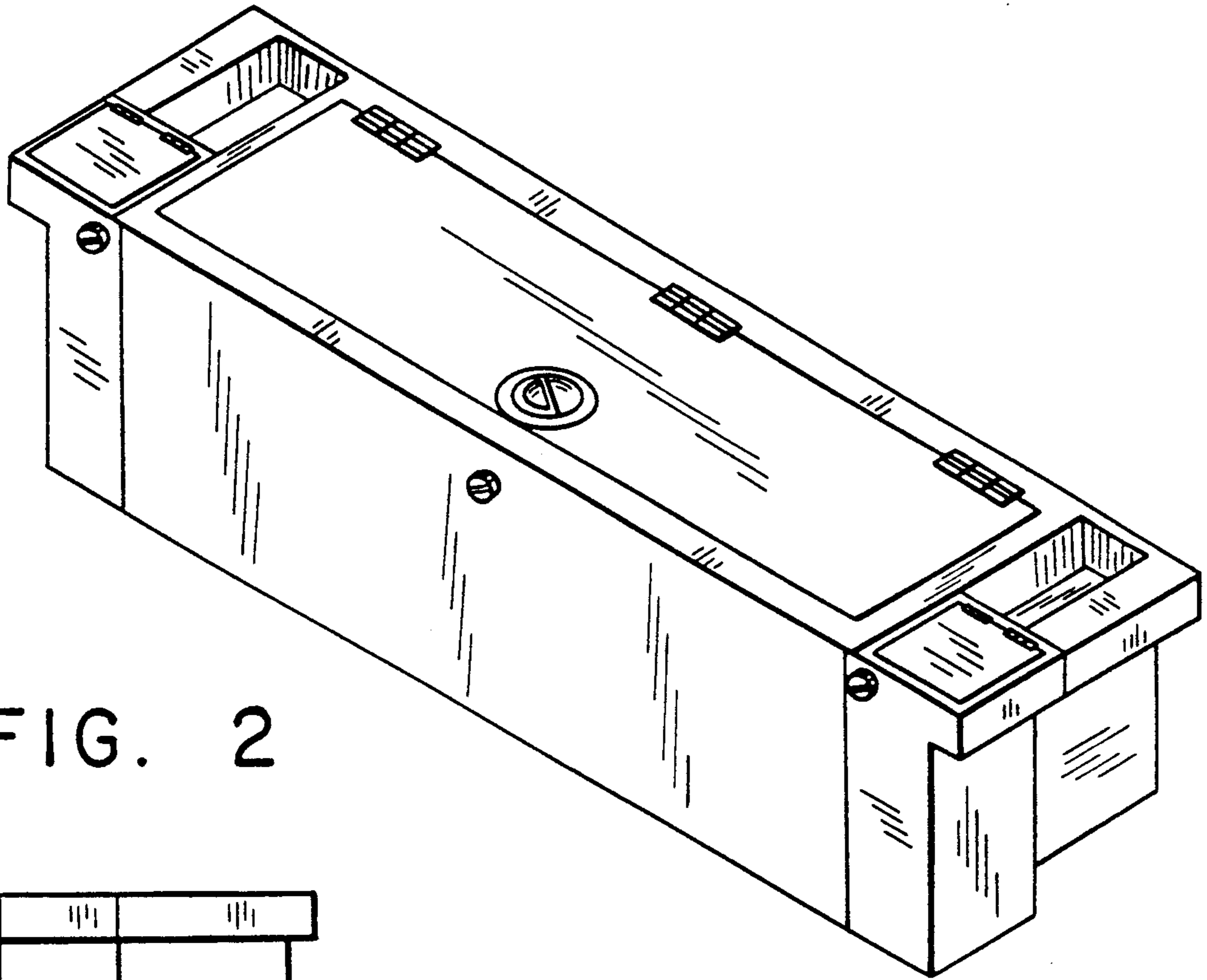


FIG. 2

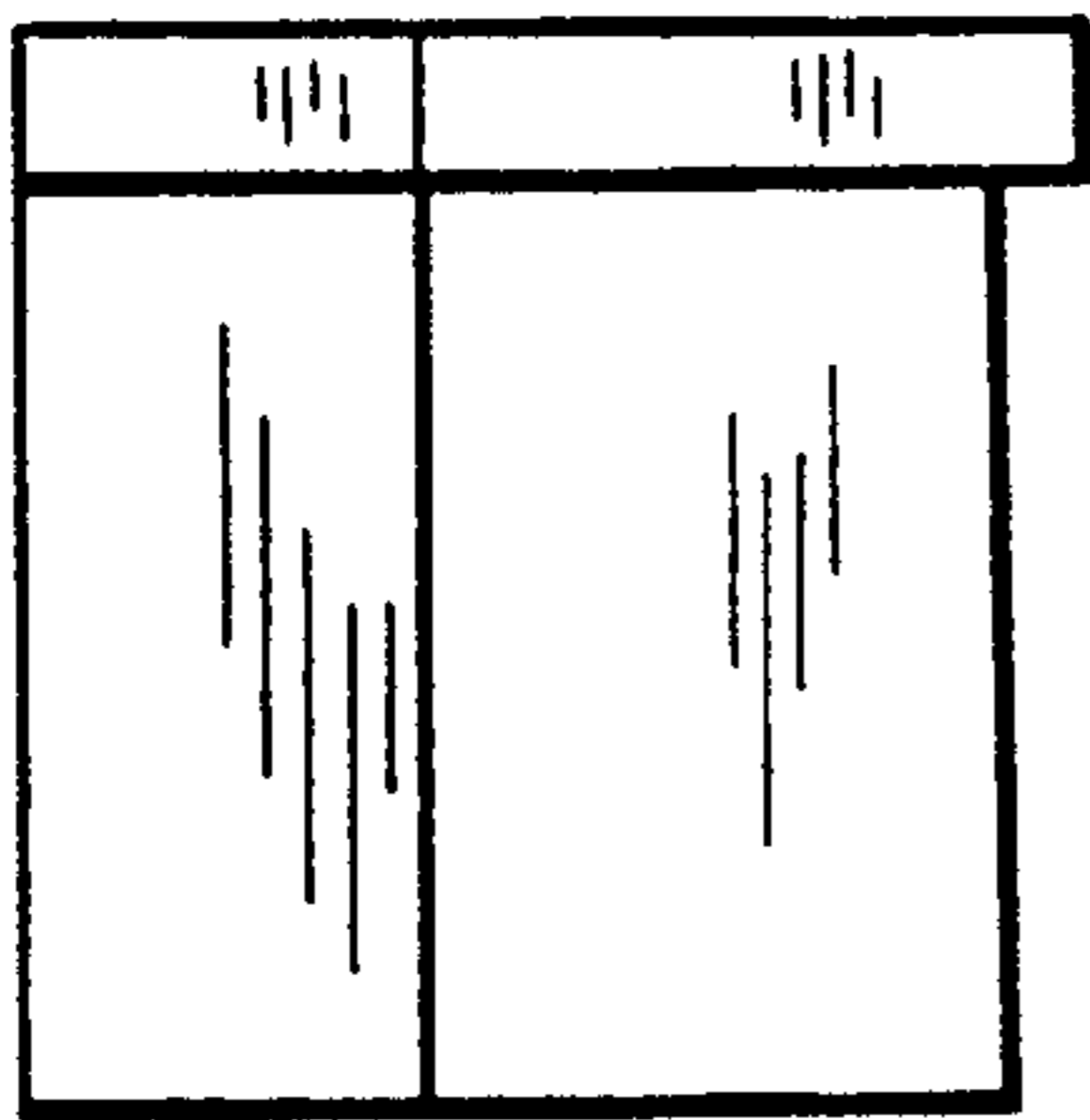


FIG. 3

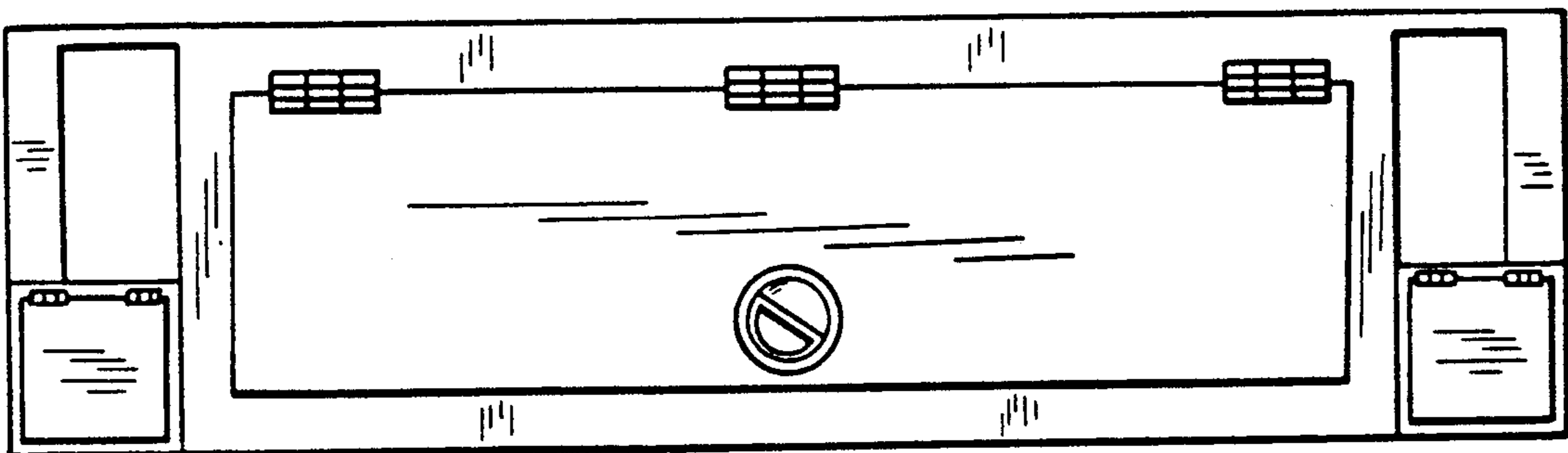


FIG. 4

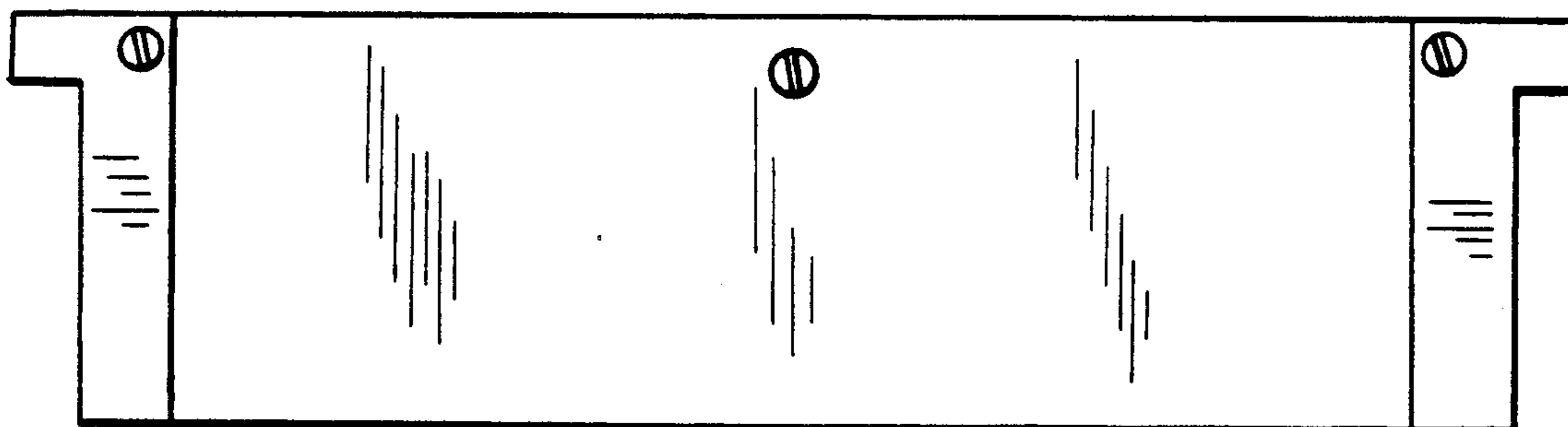


FIG. 5

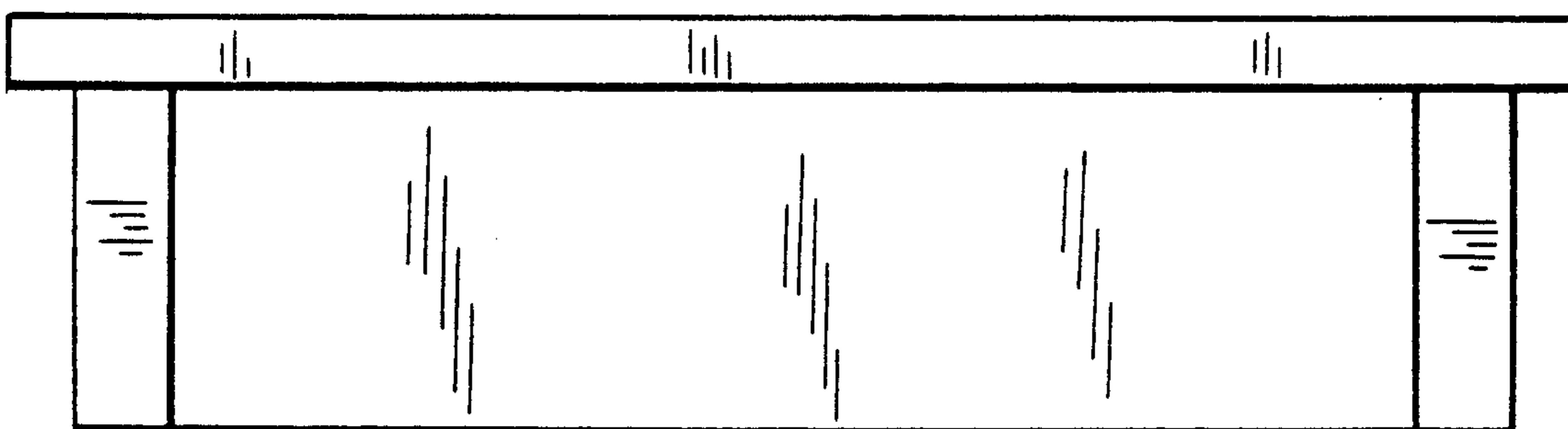


FIG. 6

