

[54] INDUSTRIAL TRAILER

[76] Inventor: Daniel D. Wright, 121 Meadowlark Dr., Seekonk, Mass. 02771

[\*\*] Term: 14 Years

[21] Appl. No.: 314,445

[22] Filed: Feb. 23, 1989

[52] U.S. Cl. .... D12/97

[58] Field of Search ..... D12/97, 181, 101;  
296/182, 181; 280/63; 414/537

[56] References Cited

U.S. PATENT DOCUMENTS

- D. 212,599 11/1968 Stafford ..... D12/101
- D. 299,219 1/1989 Edwards ..... D12/101
- D. 306,994 4/1990 Edwards ..... D12/101

3,795,333 3/1974 Tebben ..... D12/101

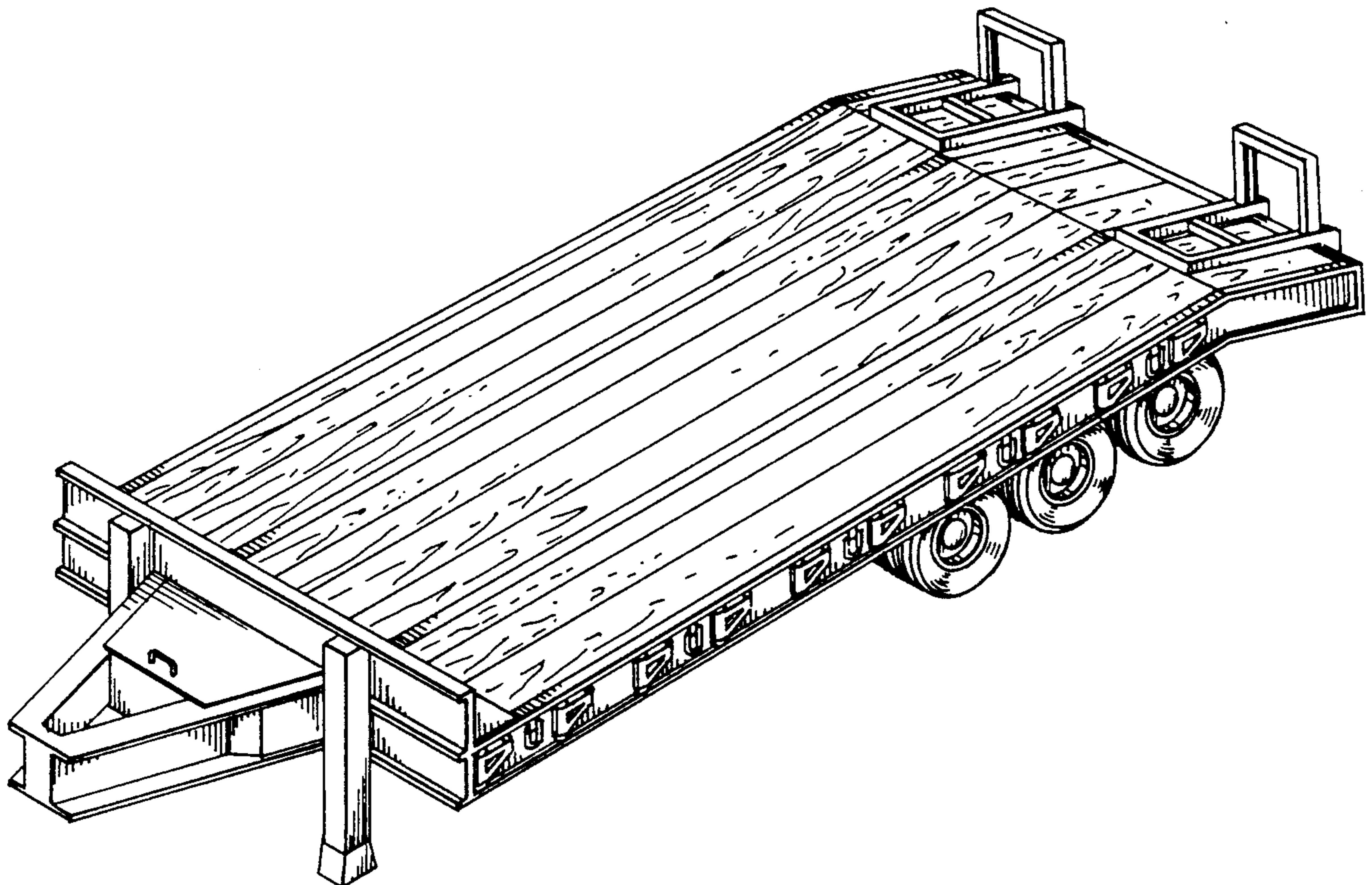
Primary Examiner—James M. Gandy  
Assistant Examiner—Melody Brown  
Attorney, Agent, or Firm—Robert J. Doherty

[57] CLAIM

The ornamental design for an industrial trailer, as shown.

DESCRIPTION

FIG. 1 is a perspective view of an industrial trailer showing my new design;  
FIG. 2 is a top plan view thereof;  
FIG. 3 is a right side elevational view thereof, the left side elevational view being the mirror image thereof;  
FIG. 4 is a bottom plan view thereof;  
FIG. 5 is a front elevational view thereof; and  
FIG. 6 is a rear elevational view thereof.



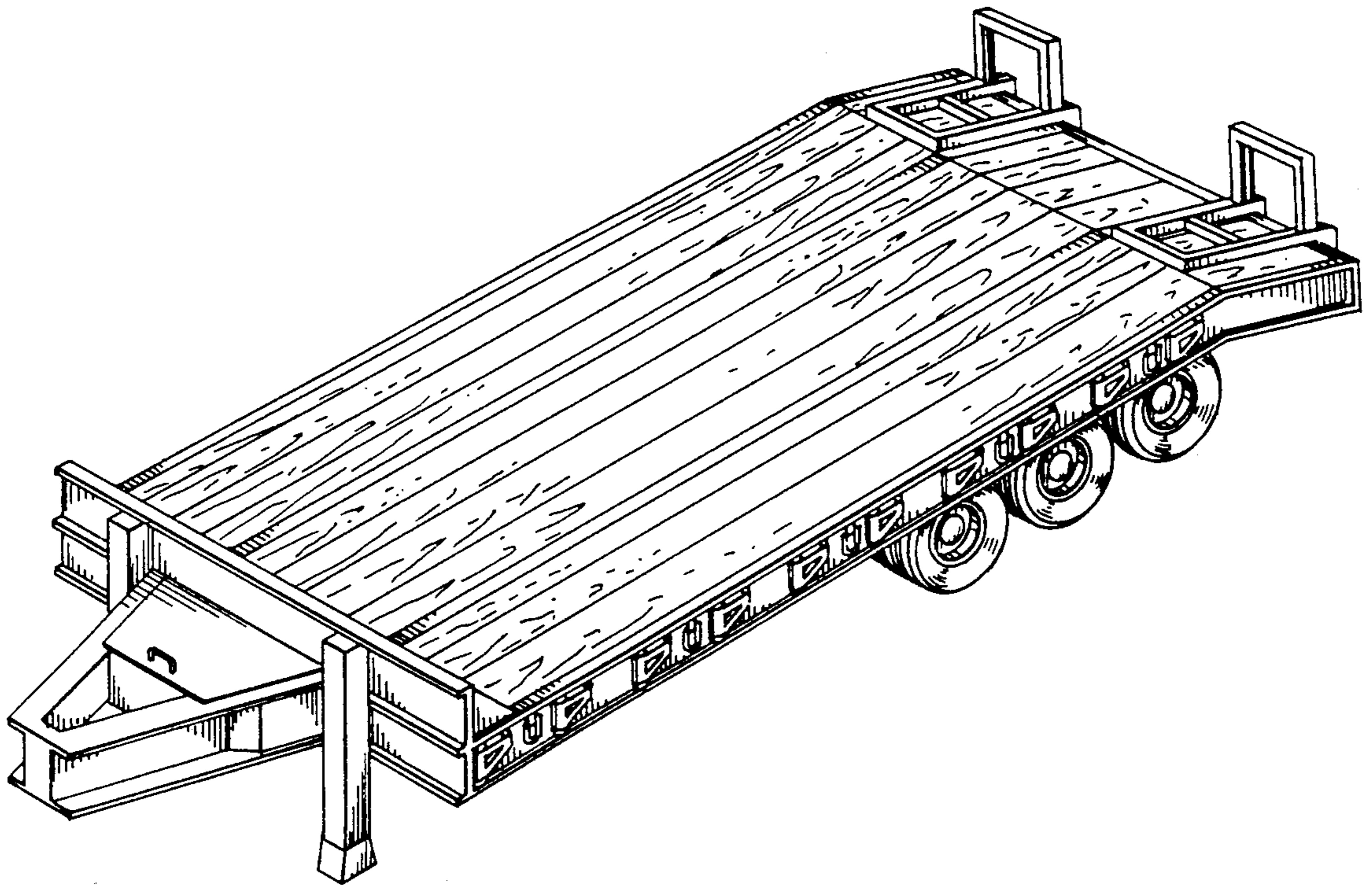


FIG. 1

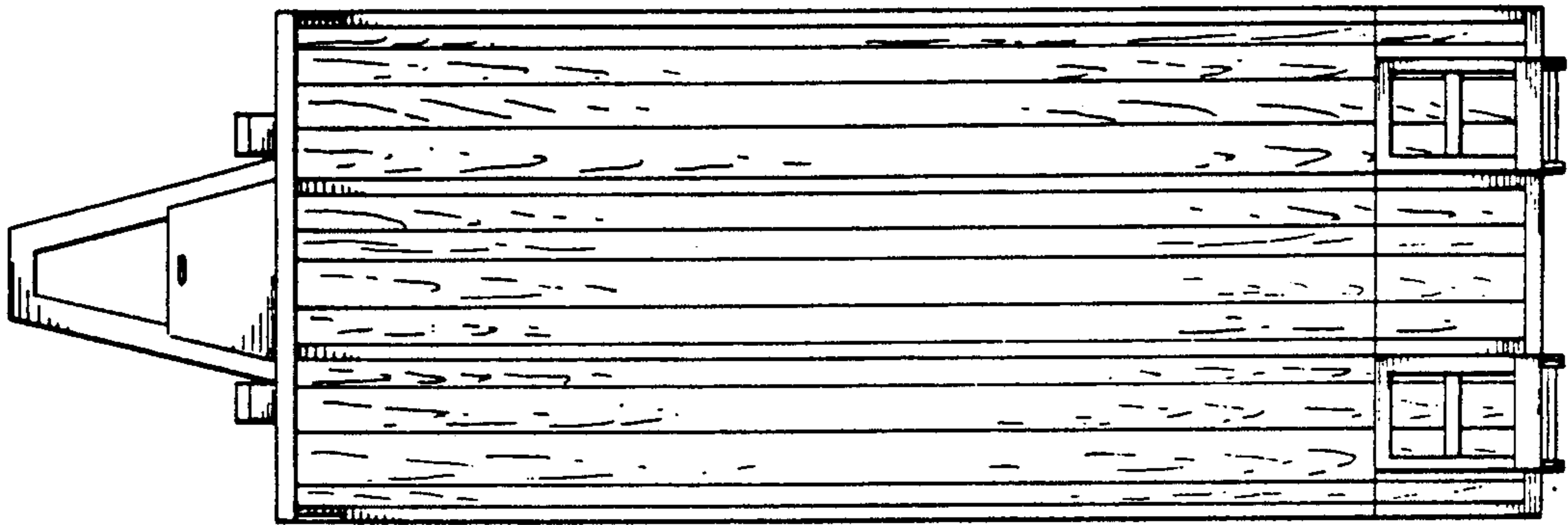


FIG. 2

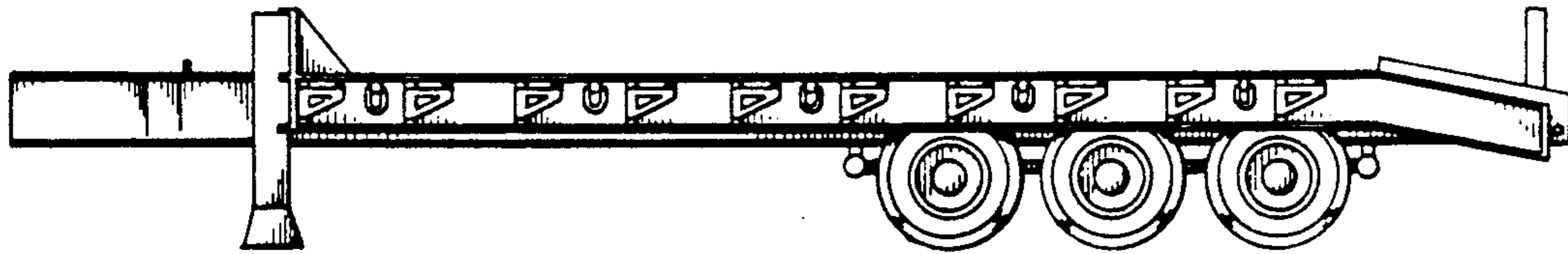


FIG. 3

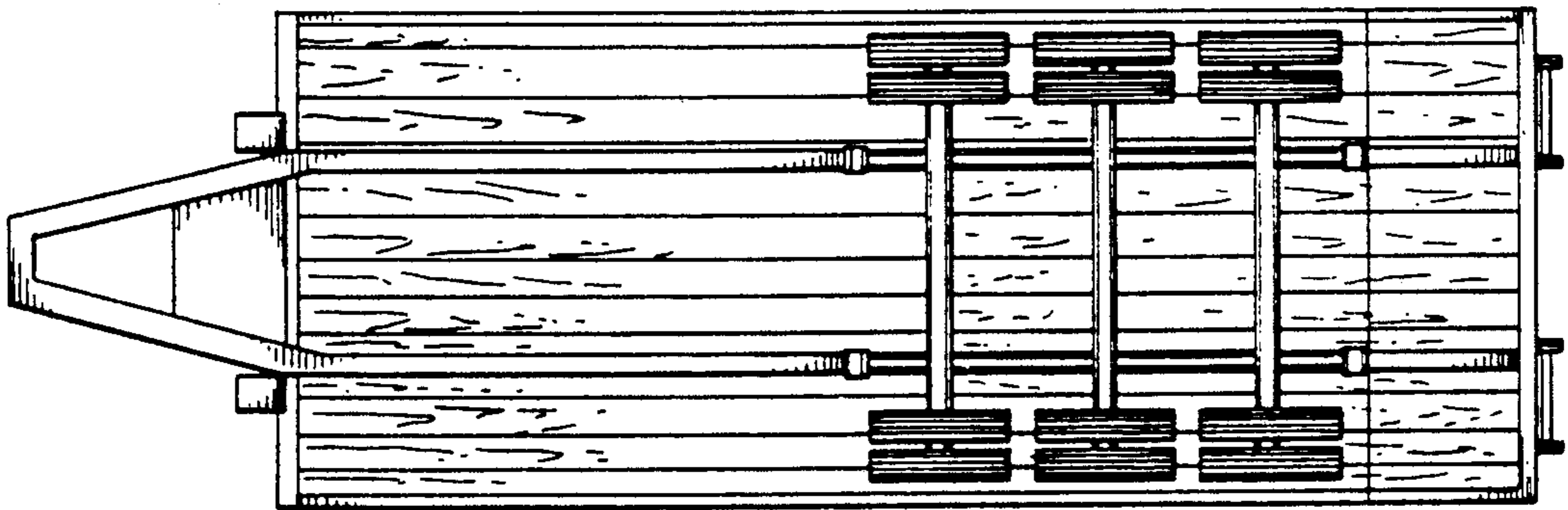


FIG. 4

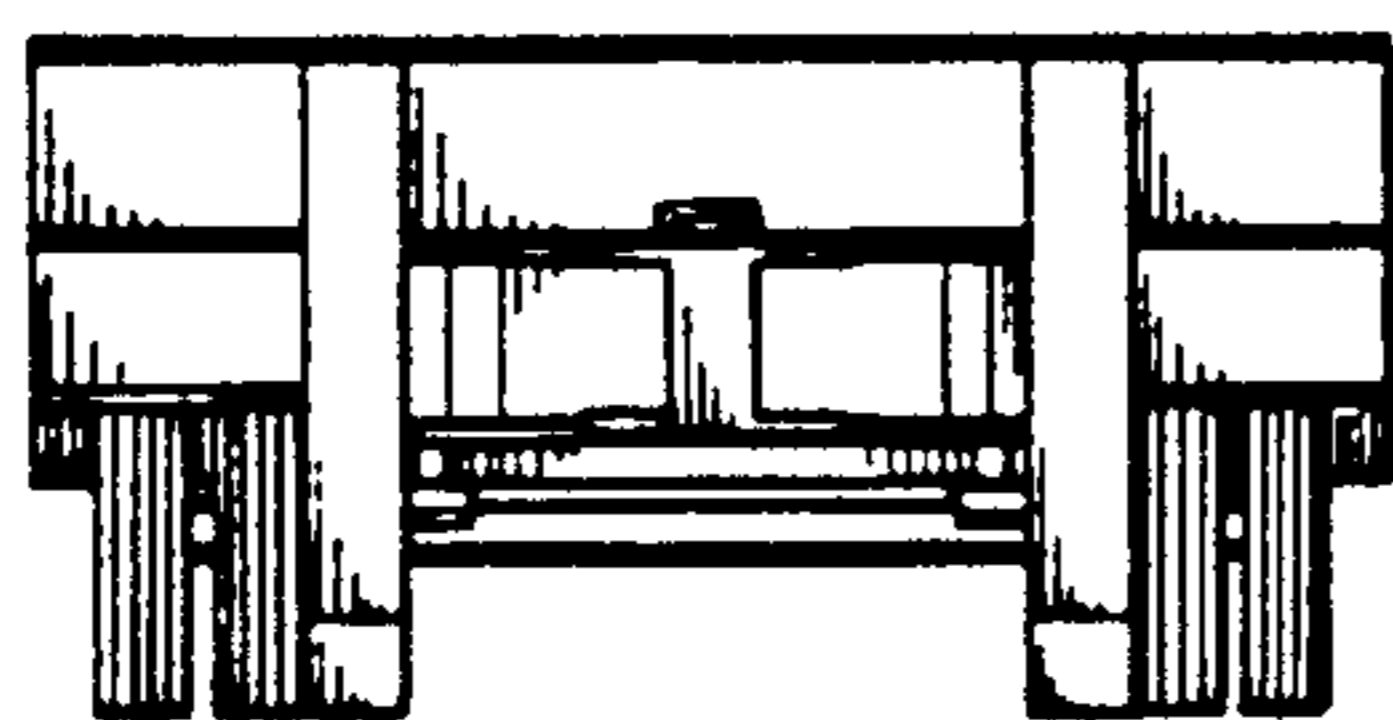


FIG. 5

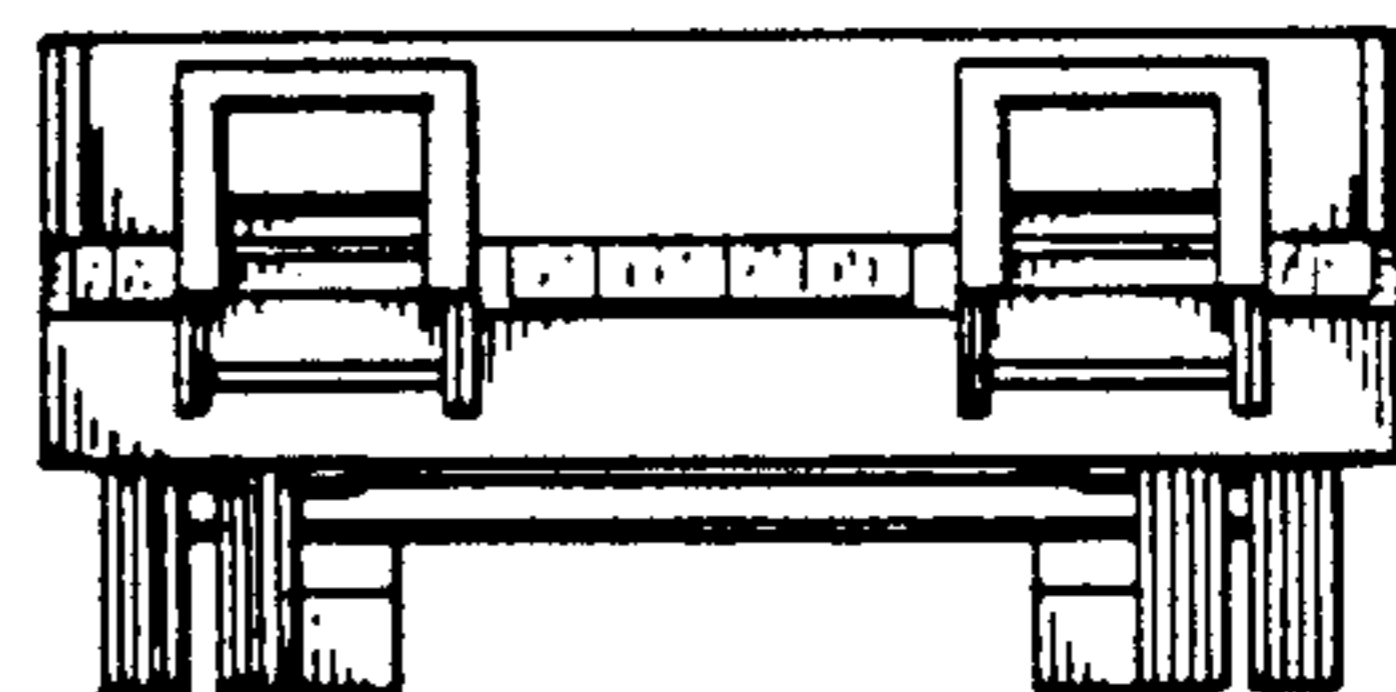


FIG. 6