

[54] CALL BUTTON INDICATOR FOR AN ELEVATOR

[75] Inventors: John M. Kulikowski, Glastonbury; William Weirsman, Woodbridge, both of Conn.

[73] Assignee: Otis Elevator Company, Farmington, Conn.

[**] Term: 14 Years

[21] Appl. No.: 351,145

[22] Filed: May 12, 1989

[52] U.S. Cl. D10/108; D13/171; D8/353

[58] Field of Search D10/104, 108, 121; 361/331, 332, 334, 336, 380, 381, 384, 390, 395; D19/158, 171, 174; D8/350, 353; 220/241; D13/171

[56] References Cited

U.S. PATENT DOCUMENTS

D. 60,383 2/1922 Steeple D13/171

D. 186,890 12/1959 Broun D10/108
D. 253,940 1/1980 Bedel D10/108
D. 297,407 8/1988 Yandek et al. D13/171 X
D. 305,019 12/1989 Pena et al. D13/171
1,230,643 6/1917 Anderson D13/171
2,525,769 10/1950 Bruns D13/171
4,794,211 12/1988 Hibbert et al. 361/331

Primary Examiner—Wallace R. Burke
Assistant Examiner—Marcus Jackson
Attorney, Agent, or Firm—William W. Jones

[57] CLAIM

The ornamental design for a call button indicator for an elevator, as shown and described.

DESCRIPTION

FIG. 1 is a front elevational view of a call button indicator for an elevator showing my new design, with the broken lines showing for illustrative purposes only and forming no part of the claimed design;
FIG. 2 is a left side elevational view thereof, with the right side being a mirror image;
FIG. 3 is a top plan view thereof, with the bottom being a mirror image.

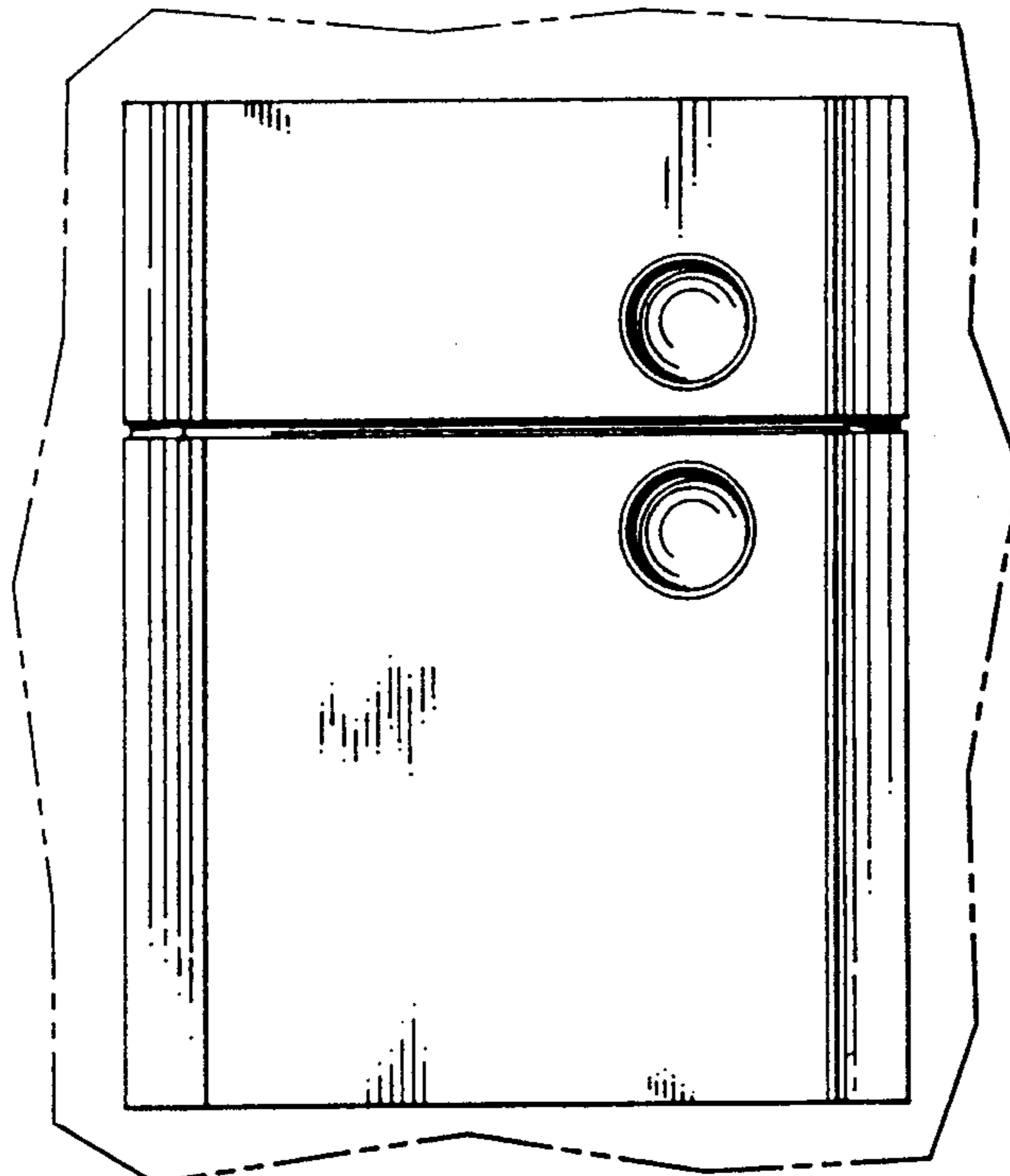


FIG.2

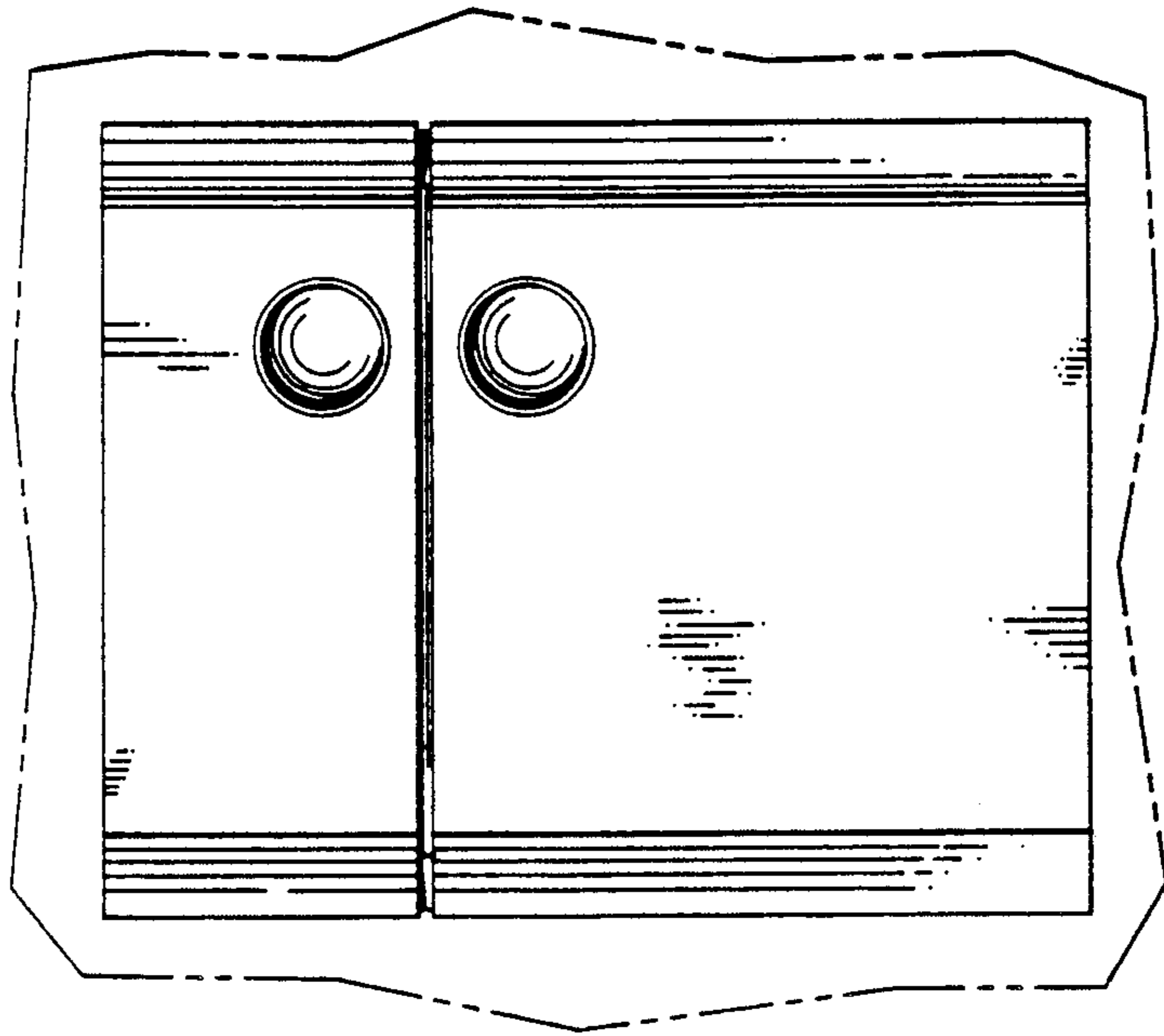


FIG.1

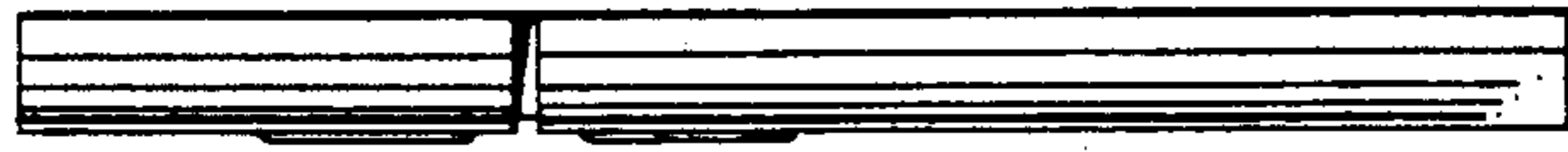


FIG.3