

# United States Patent [19]

Benedito

[11] Patent Number: Des. 315,525

[45] Date of Patent: \*\* Mar. 19, 1991

[54] SCALE

[75] Inventor: Ramon Benedito, Barcelona, Spain

[73] Assignee: Cobos S.A., Barcelona, Spain

[\*\*] Term: 14 Years

[21] Appl. No.: 252,352

[22] Filed: Sep. 30, 1988

[30] Foreign Application Priority Data  
 Apr. 8, 1988 [ES] Spain ..... 115638

[52] U.S. Cl. .... D10/91

[58] Field of Search ..... D10/83, 87, 88, 89,  
 D10/90, 91, 92, 93, 94, 95; 177/180, 181, 182,  
 210, 211, 238, 239, 240, 241, 242, 243, DIG. 3

4,821,821 4/1989 Kelley ..... 177/181

4,856,605 8/1989 Cornelius et al. .... D10/91 X

4,862,978 9/1989 Borchard ..... D10/91 X

4,862,979 9/1989 Borchard ..... D10/91 X

4,893,686 1/1990 Chretein et al. .... D10/91 X

4,921,058 5/1990 Palley et al. .... 177/181

### OTHER PUBLICATIONS

Toledo Model 3205, 10/82, p. 11.  
 Ohaus, Electronic Digital Bench Scale, 1984, cover.

*Primary Examiner*—Nelson C. Holtje  
*Assistant Examiner*—Antoine D. Davis  
*Attorney, Agent, or Firm*—Helfgott & Karas

### [57] CLAIM

The ornamental design for a scale, as shown.

### DESCRIPTION

FIG. 1 is a top, front, and right side perspective view of a scale showing my new design;  
 FIG. 2 is a right side elevational;  
 FIG. 3 is a rear elevational view;  
 FIG. 4 is a front elevational view;  
 FIG. 5 is a left side elevational view;  
 FIG. 6 is a bottom plan view; and  
 FIG. 7 is a top plan view thereof.

### [56] References Cited

#### U.S. PATENT DOCUMENTS

D. 214,464 6/1969 Macowski ..... D10/91

D. 242,331 11/1976 Kunz et al. .... D10/91

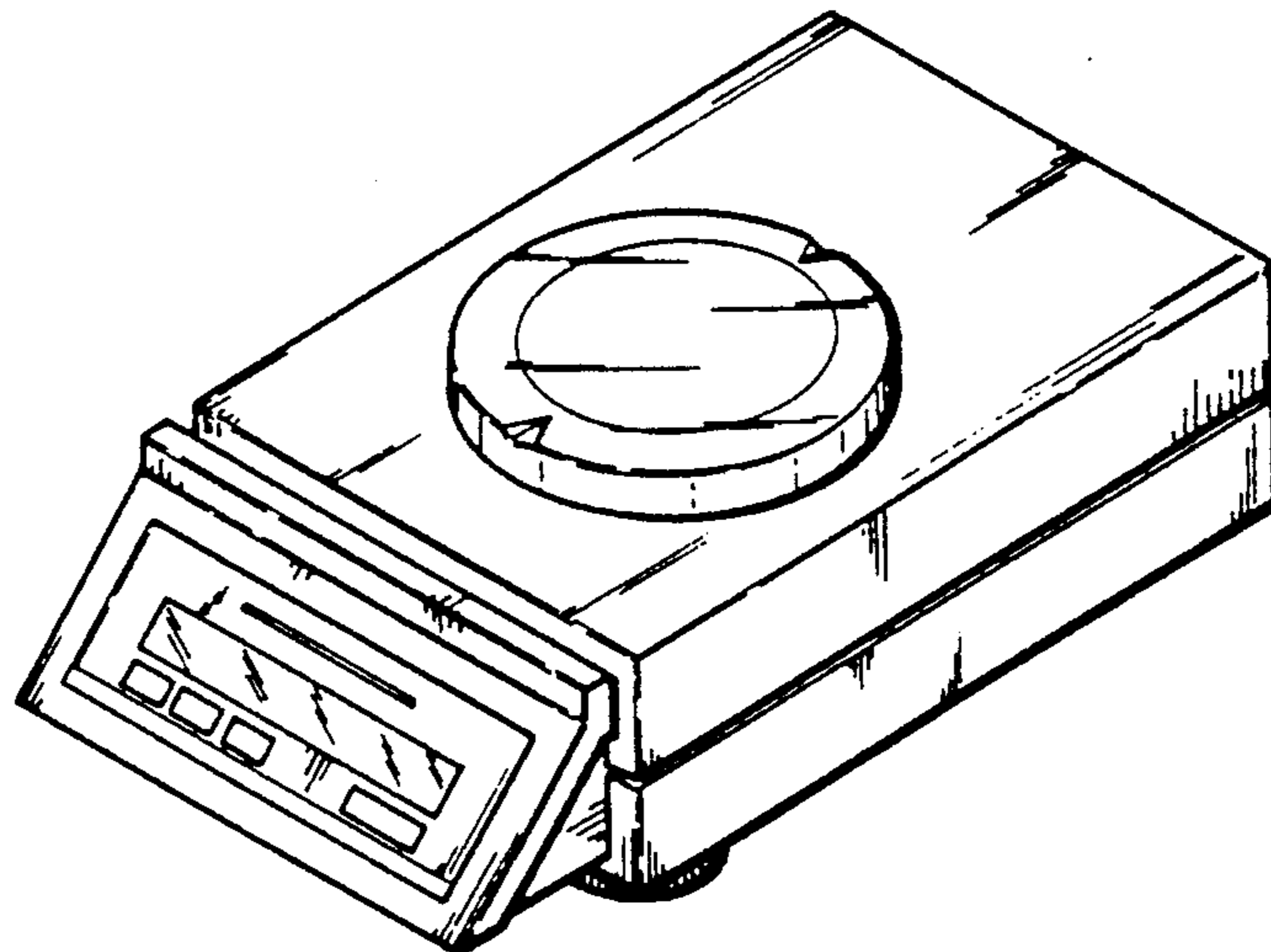
D. 248,282 6/1978 Smith ..... D10/91

D. 273,280 4/1984 Haigh et al. .... D10/91

4,685,525 8/1987 Knothe et al. .... 177/181

4,789,034 12/1988 Luchinger et al. .... 177/181

4,798,250 1/1989 Knothe et al. .... D10/91 X



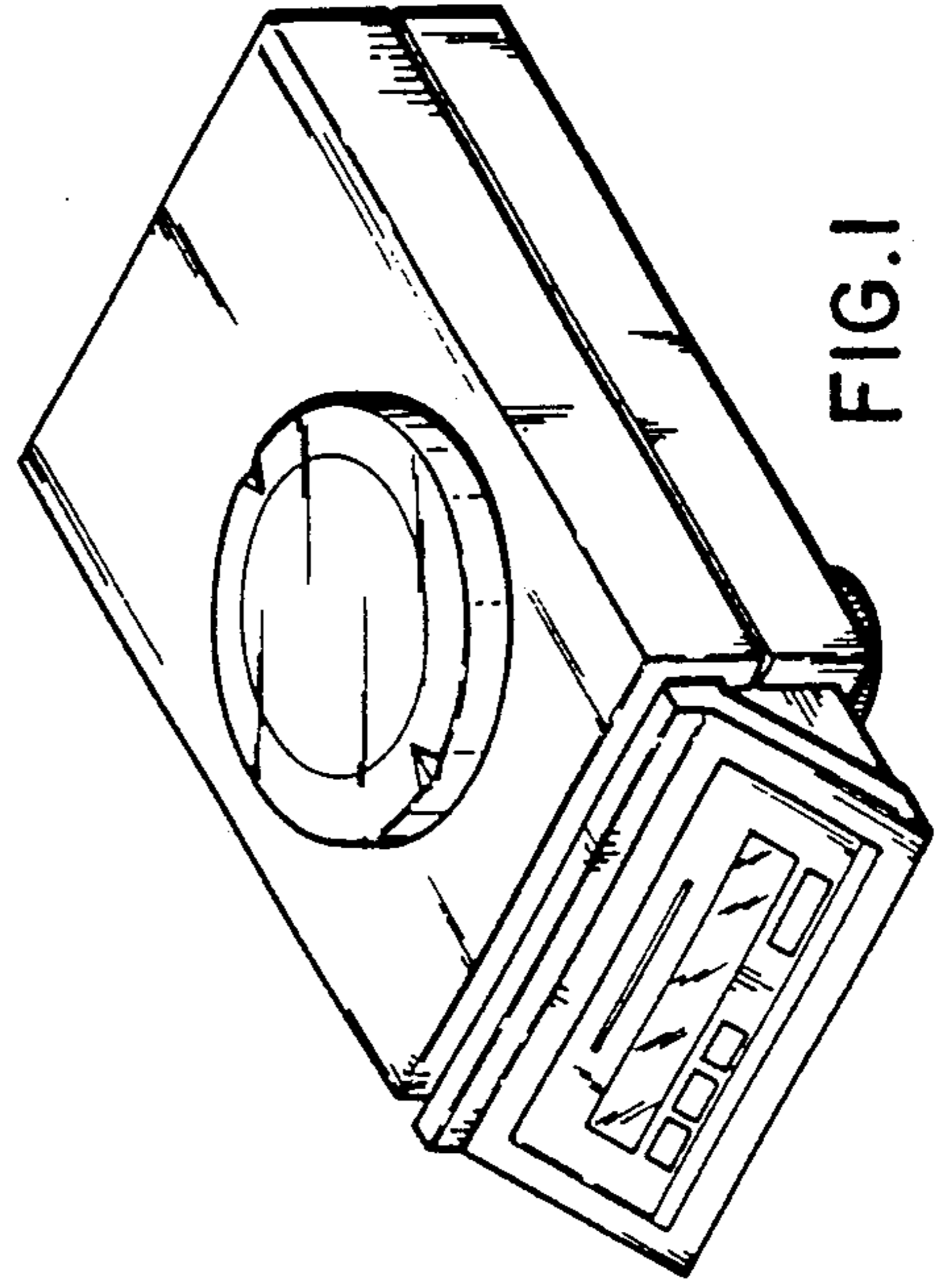


FIG. 1

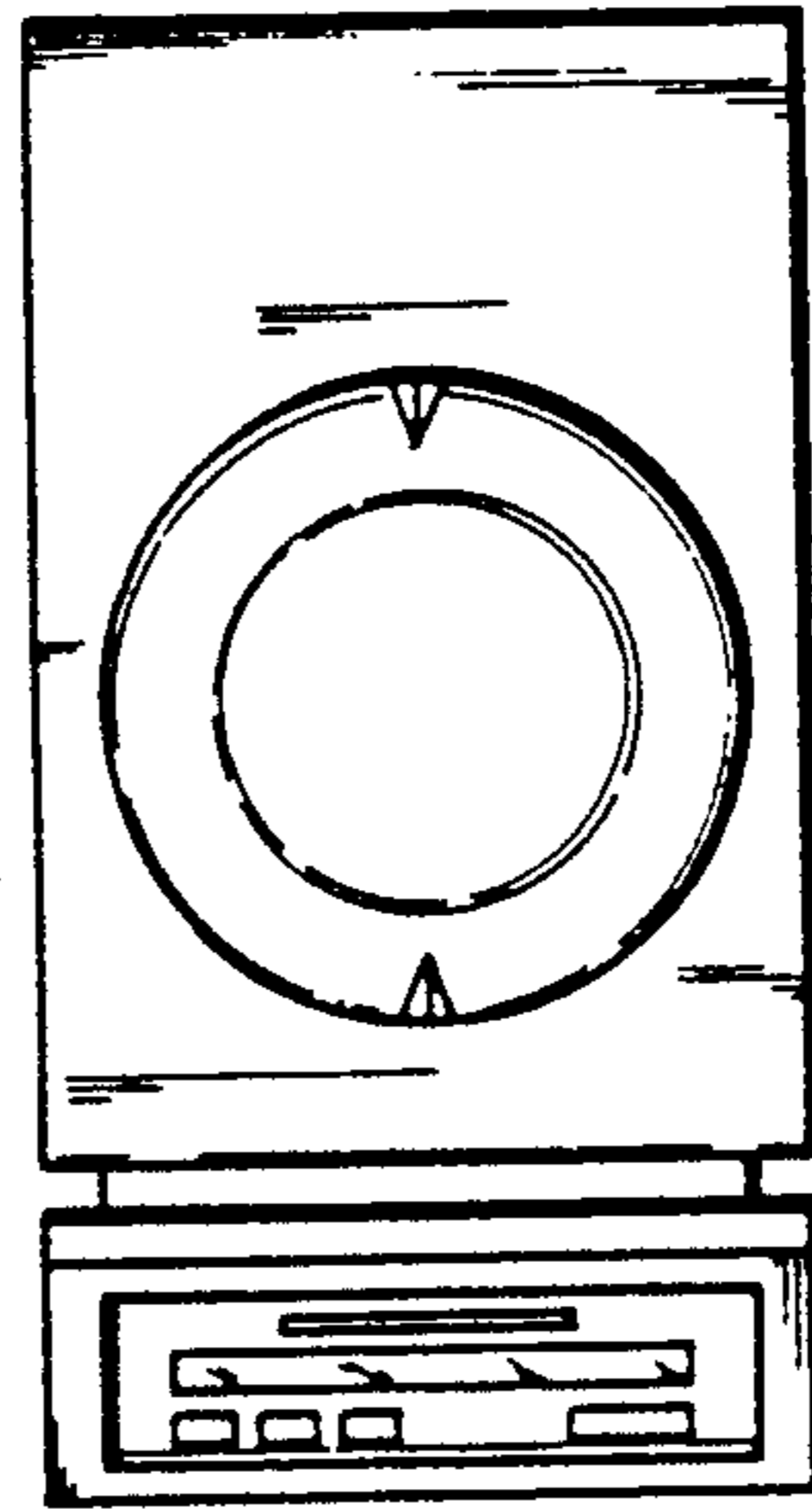


FIG. 2

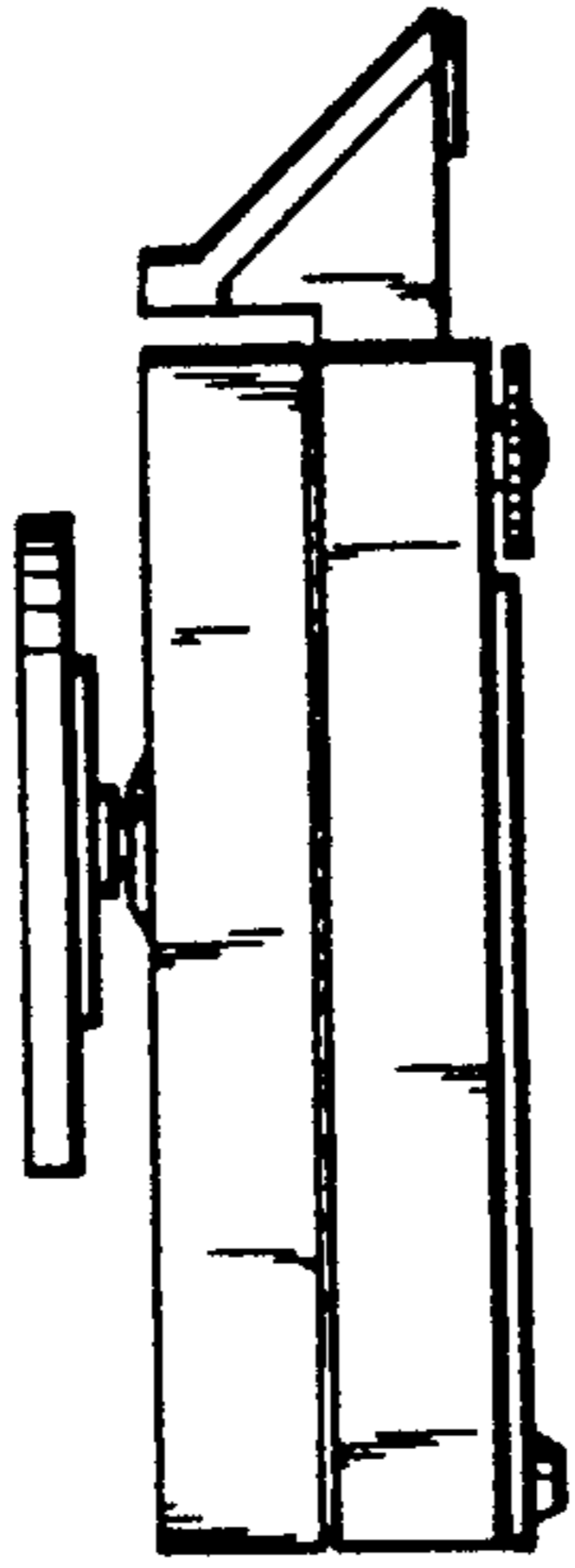


FIG. 3

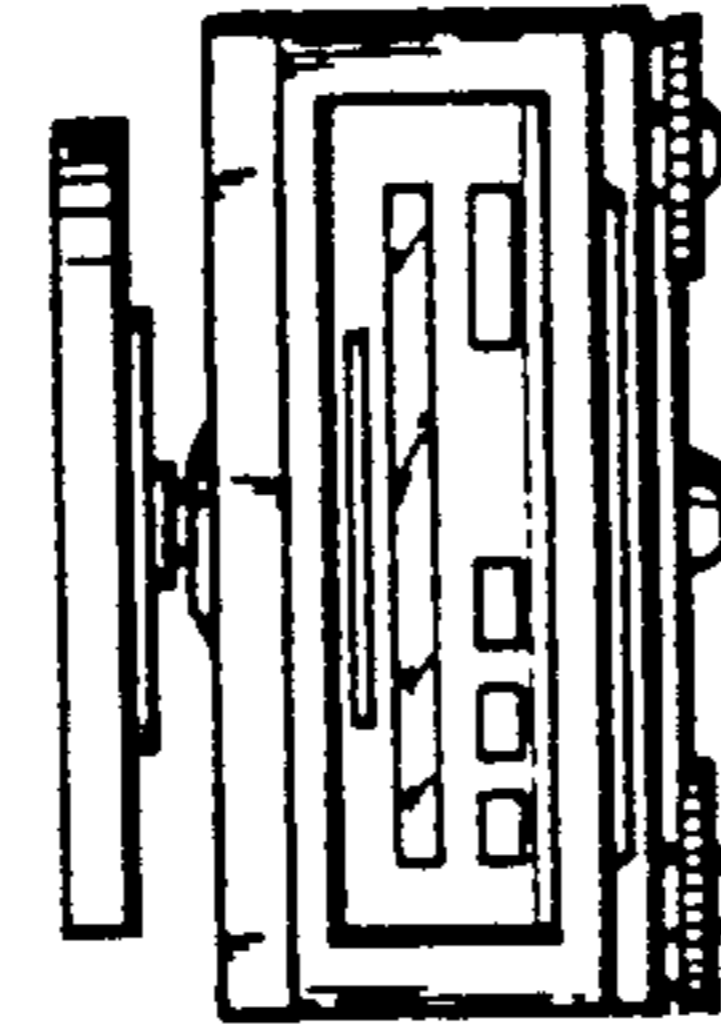


FIG. 4

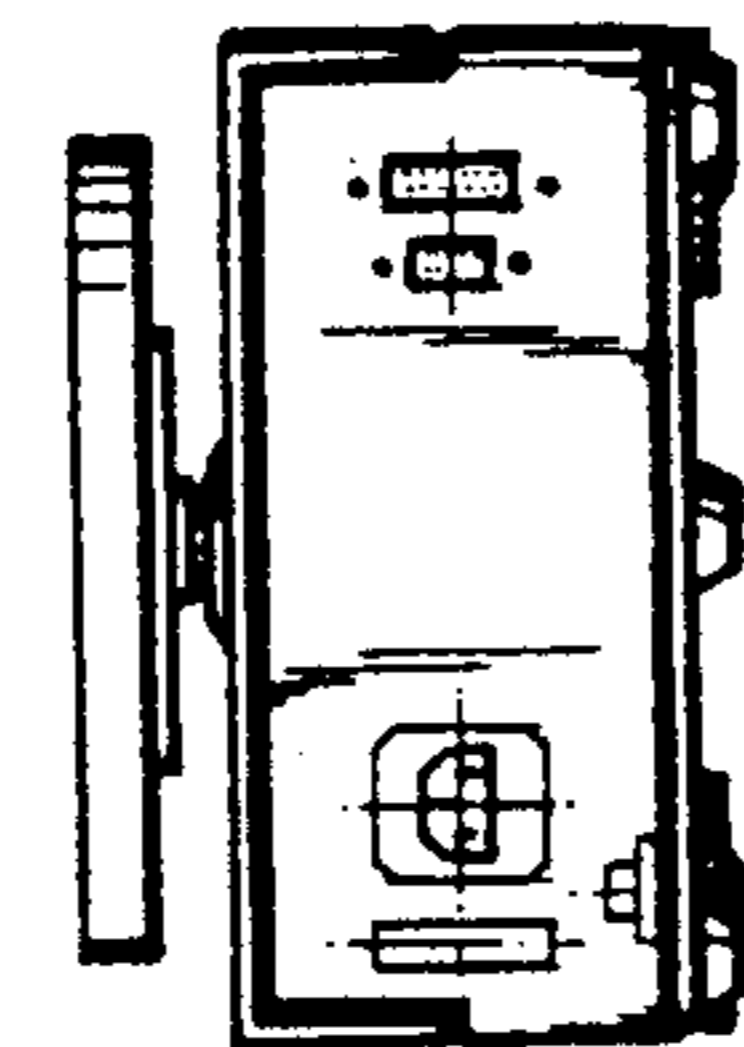


FIG. 5



FIG. 6