

[54] COAXIAL CABLE TESTER

[76] Inventor: Scott M. Marchetti, R.R. #2 Box
441, Enfield, N.H. 03748

[**] Term: 14 Years

[21] Appl. No.: 288,110

[22] Filed: Dec. 22, 1988

[52] U.S. Cl. D10/78

[58] Field of Search D10/75, 78, 80; 324/96,
324/97, 76 R, 74, 66, 133, 158 R, 508, 542;
340/650, 651, 652

4,356,442 10/1982 Beha 324/133 X

4,553,085 11/1985 Canzano 324/66 X

4,839,599 6/1989 Fischer 324/66 X

4,864,225 9/1989 Long et al. 324/542 X

Primary Examiner—Nelson C. Holtje
Assistant Examiner—Antoine D. Davis
Attorney, Agent, or Firm—Jerry T. Kearns

[57] CLAIM

The ornamental design for a coaxial cable tester, as shown and described.

DESCRIPTION

FIG. 1 is a front elevational view of a coaxial cable tester showing my new design;
FIG. 2 is a rear elevational view;
FIG. 3 is a left side elevational view;
FIG. 4 is a right side elevational view;
FIG. 5 is a top plan view; and
FIG. 6 is a bottom plan view thereof.

[56] References Cited
U.S. PATENT DOCUMENTS

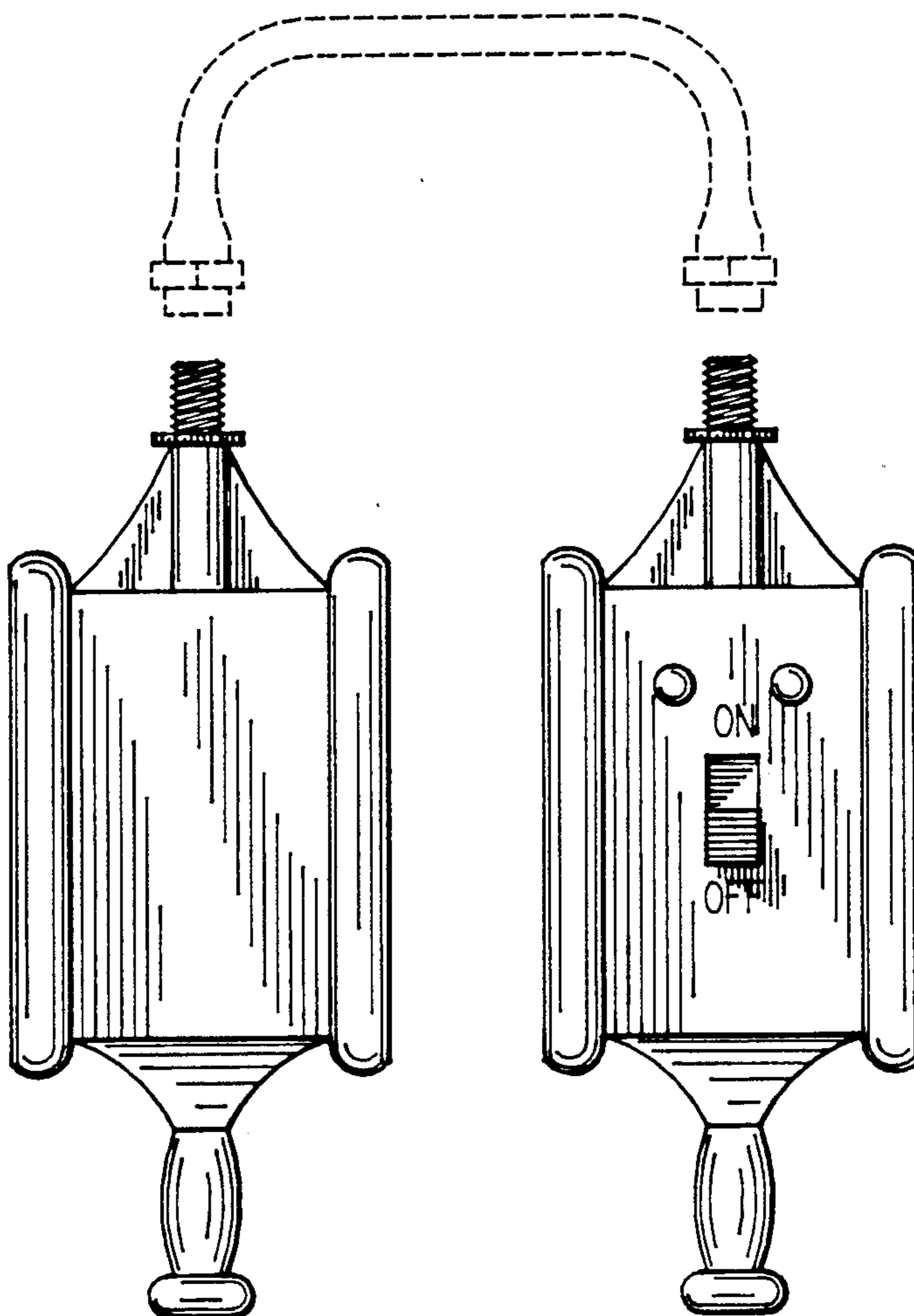
D. 208,578 9/1967 Puljer D10/75

D. 211,088 5/1968 Schwartz D10/80 X

D. 213,725 4/1969 Van Kouvering D10/75

3,402,351 9/1968 Kradel 324/122

4,074,187 2/1978 Miller et al. 324/542



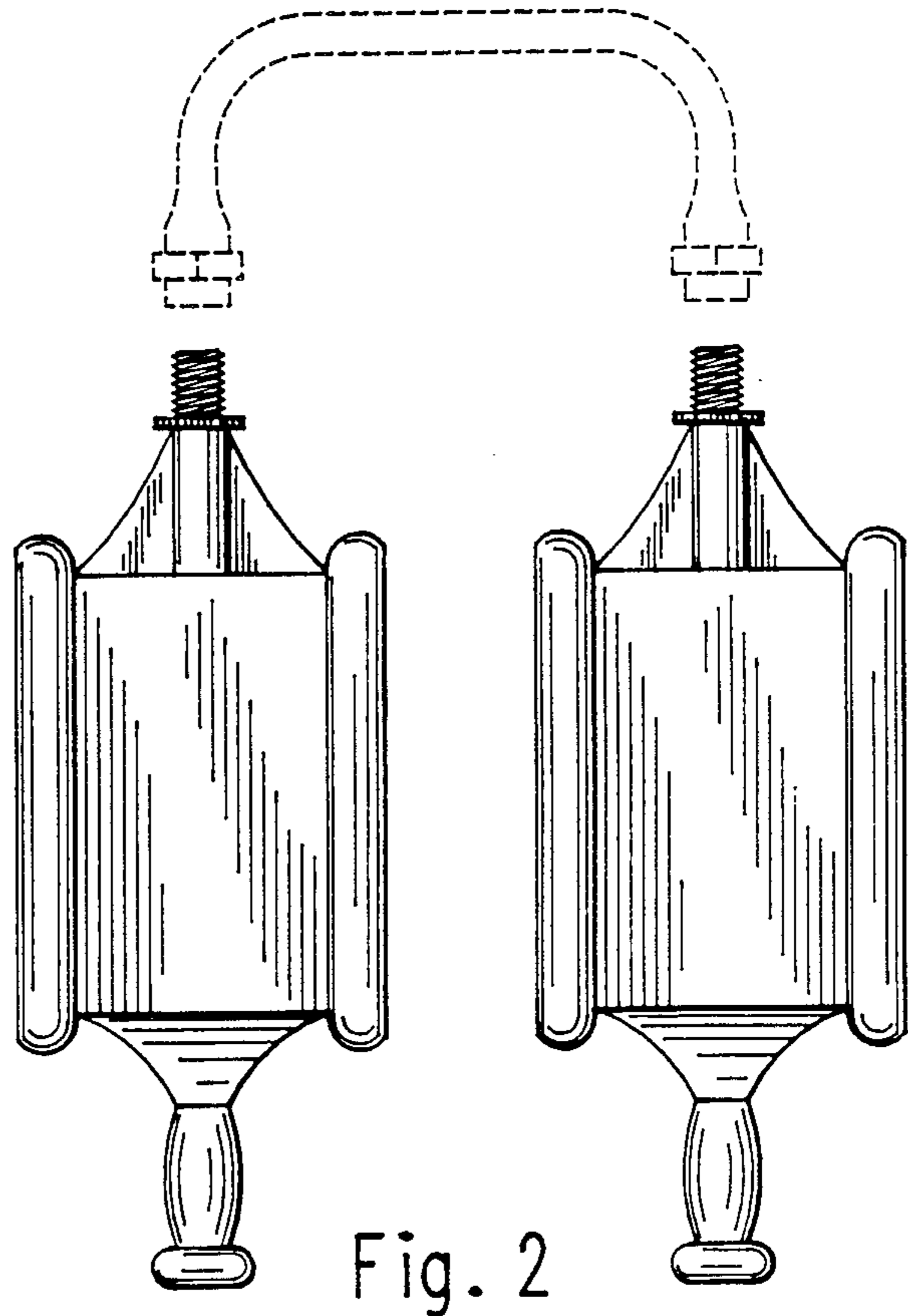
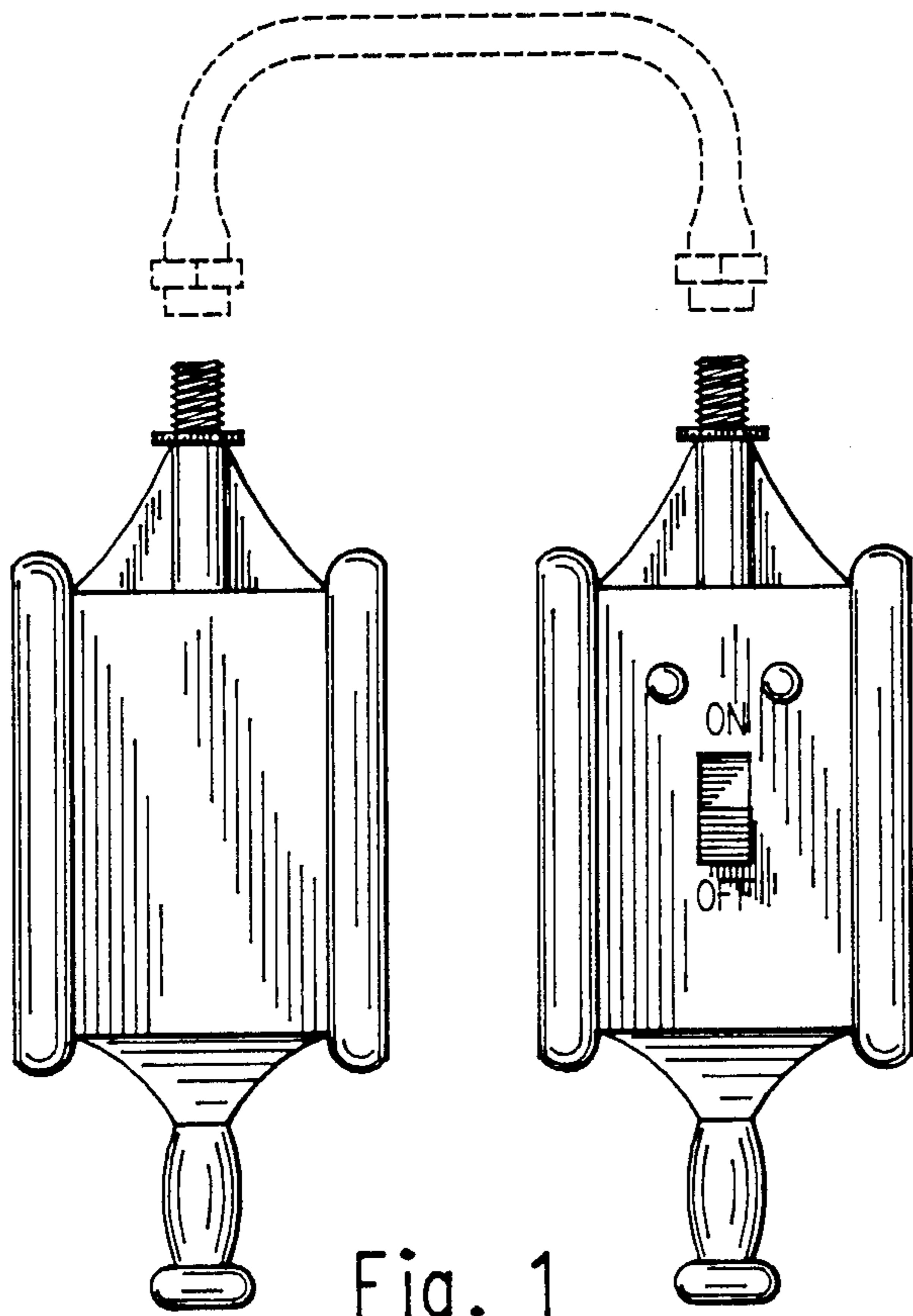


Fig. 3

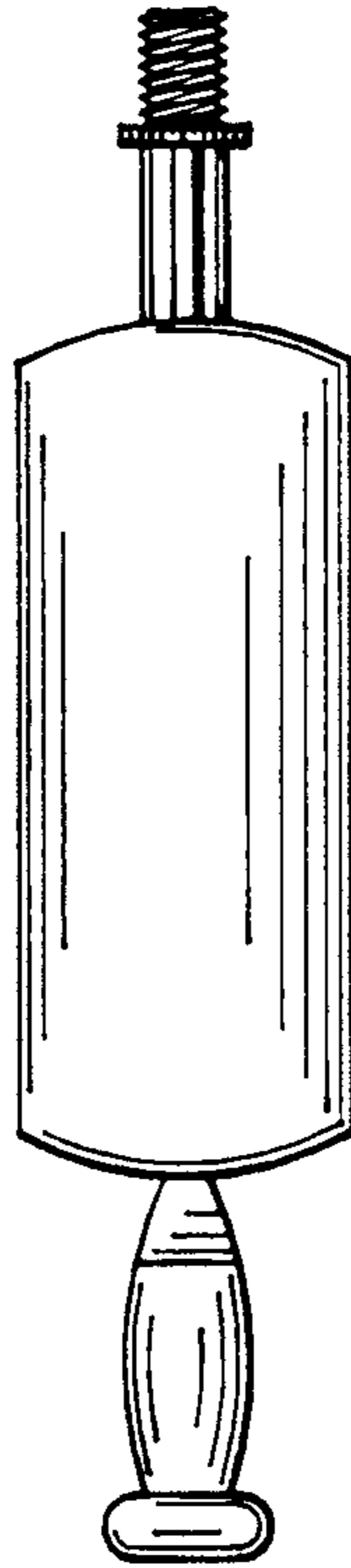
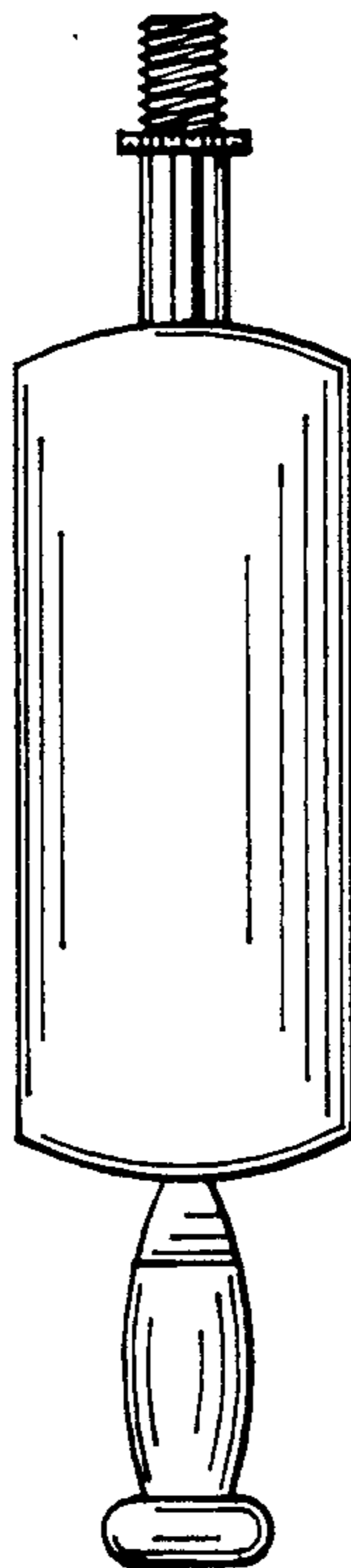


Fig. 4



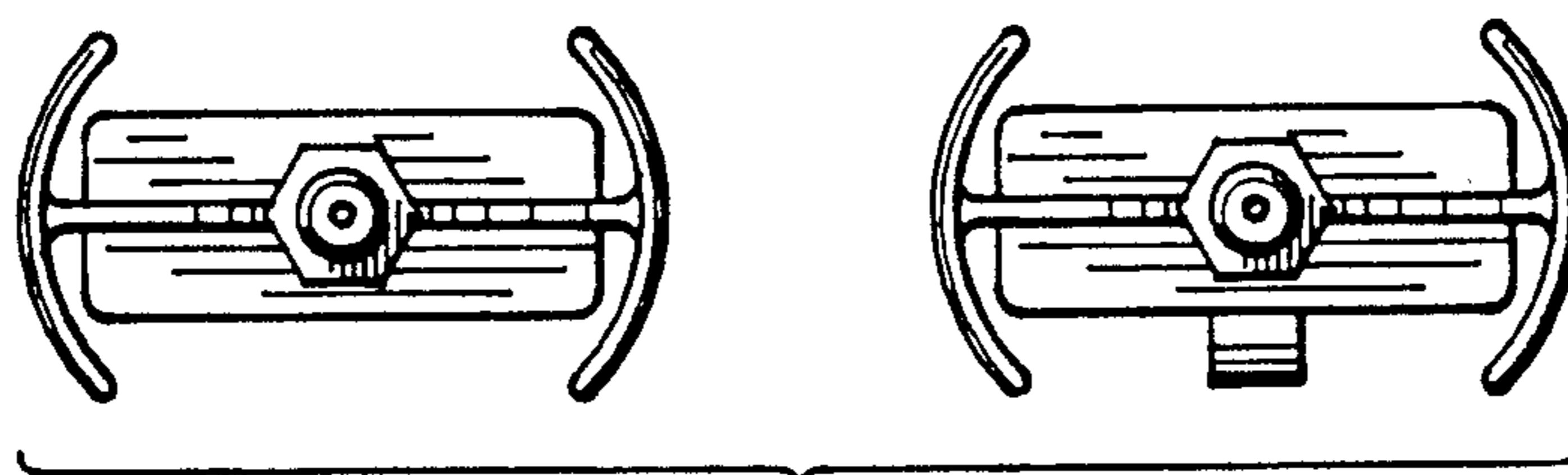


Fig. 5

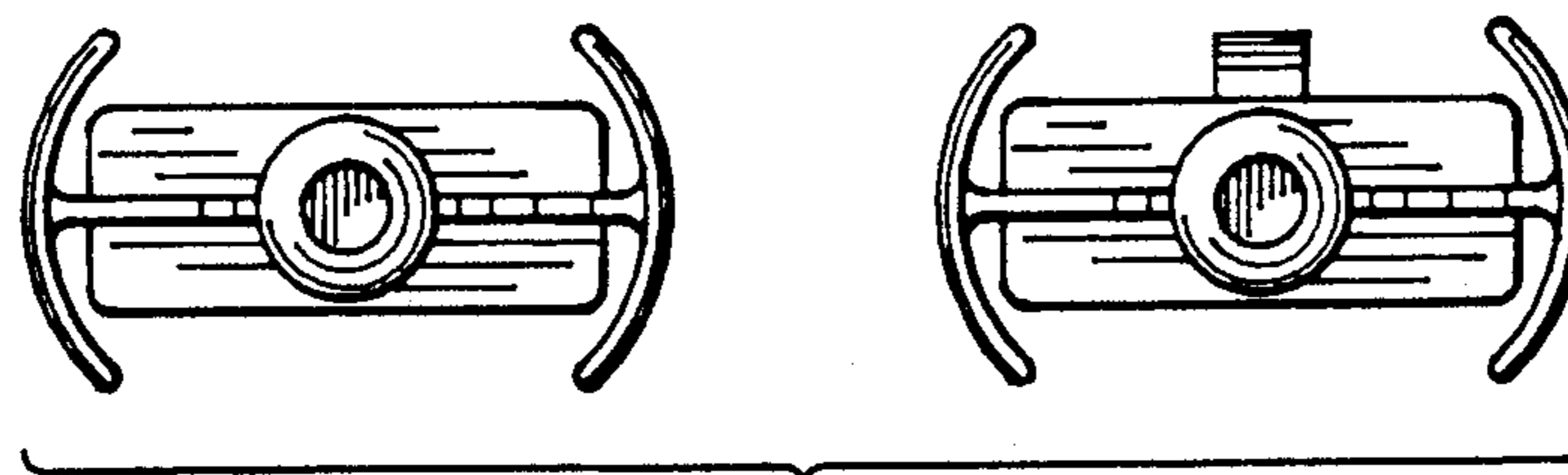


Fig. 6