

[54] **LEVEL DEVICE**

[76] **Inventor: Darrell G. Greenland, 934 Fourth St. #21, Santa Monica, Calif. 90403**

[\*\*] **Term: 14 Years**

[21] **Appl. No.: 366,406**

[22] **Filed: Jun. 15, 1989**

**Related U.S. Application Data**

[63] **Continuation-in-part of Ser. No. 159,006, Feb. 22, 1988, abandoned.**

[52] **U.S. Cl. .... D10/69**

[58] **Field of Search ..... D10/69; 33/332, 365, 33/379-382, 386**

**References Cited**

**U.S. PATENT DOCUMENTS**

D. 25,130	2/1896	Traut	.....	D10/69
D. 43,191	10/1912	Disston	.....	D10/69
D. 43,192	10/1912	Disston	.....	D10/69
D. 180,624	7/1957	Souter	.....	D10/69 X
D. 182,773	5/1958	Souter	.....	D10/69 X
D. 205,413	8/1966	Wullschleger	.....	D10/69
D. 211,754	7/1968	Wullschleger	.....	D10/69
D. 255,434	6/1980	Hanson	.....	D10/69
D. 256,337	8/1980	Derryberry et al.	.....	D10/69
D. 261,996	11/1981	Barton	.....	D10/69
469,451	2/1892	Praddex	.....	33/381
1,159,522	11/1915	Miller	.....	33/379
3,302,233	2/1967	Sebastiani	.....	33/381 X

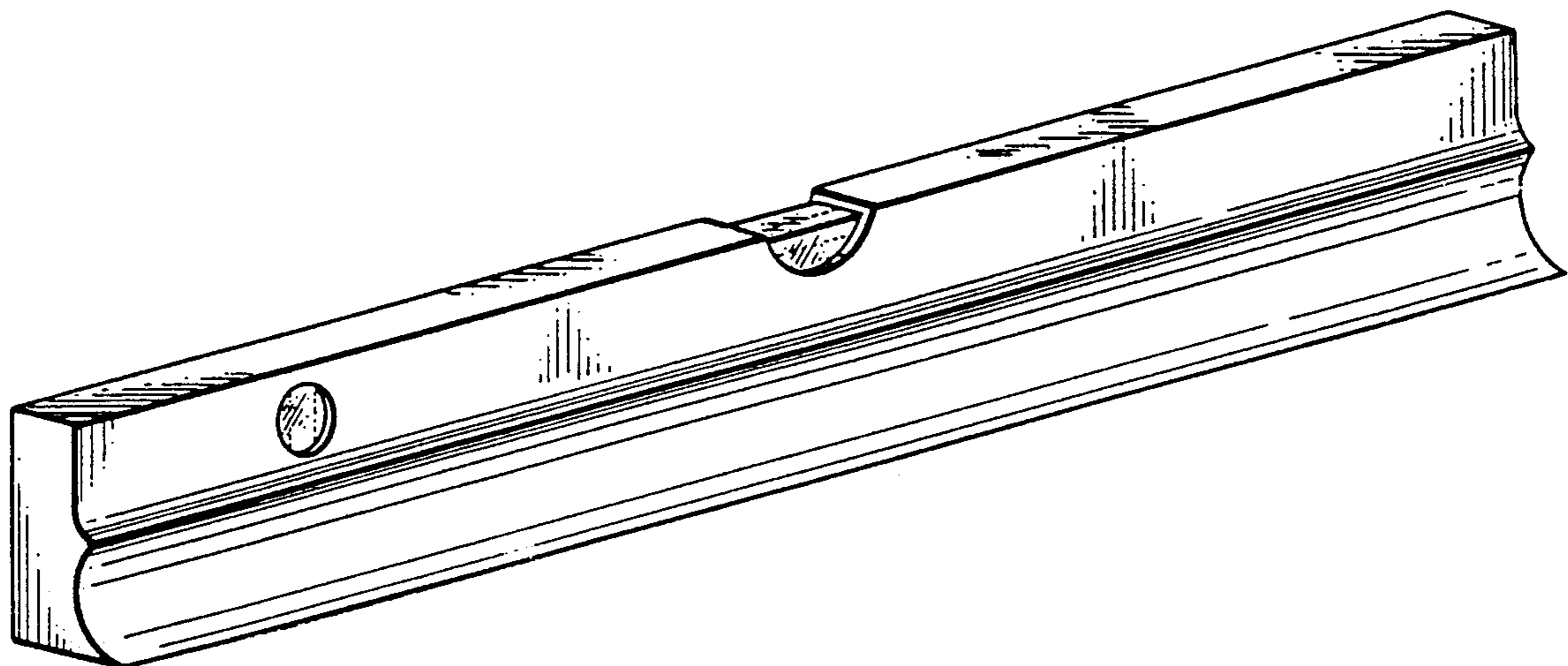
*Primary Examiner*—Nelson C. Holtje  
*Assistant Examiner*—Gary D. Watson  
*Attorney, Agent, or Firm*—Cislo & Thomas

**CLAIM**

The ornamental design for a level device, as shown and described.

**DESCRIPTION**

FIG. 1 is a top left front perspective view of a level device showing my new design;  
 FIG. 2 is a right side elevational view;  
 FIG. 3 is a front elevational view, the rear being a mirror image thereof;  
 FIG. 4 is a top plan view;  
 FIG. 5 is a bottom plan view;  
 FIG. 6 is a top left front perspective view of a second embodiment of FIG. 1;  
 FIG. 7 is a left side elevational view, the right side being a mirror image thereof;  
 FIG. 8 is a top plan view;  
 FIG. 9 is a front elevational view;  
 FIG. 10 is a rear elevational view;  
 FIG. 11 is a bottom plan view;  
 FIG. 12 is a top left front perspective view of a third embodiment of FIG. 1;  
 FIG. 13 is a left side elevational view, the right side being a mirror image thereof;  
 FIG. 14 is a top plan view;  
 FIG. 15 is a front elevational view;  
 FIG. 16 is a bottom plan view;  
 FIG. 17 is a rear elevational view;  
 FIG. 18 is a top left front perspective view of a fourth embodiment of FIG. 1;  
 FIG. 19 is a left side elevational view, the right side being a mirror image thereof;  
 FIG. 20 is a front elevational view;  
 FIG. 21 is a top plan view;  
 FIG. 22 is a bottom plan view;  
 FIG. 23 is a rear elevational view;  
 FIG. 24 is a top left front perspective view of a fifth embodiment of FIG. 1;  
 FIG. 25 is a left side elevational view, the right side being a mirror image thereof;  
 FIG. 26 is a front elevational view;  
 FIG. 27 is a top plan view;  
 FIG. 28 is a bottom plan view; and  
 FIG. 29 is a rear elevational view thereof.  
 The broken line showing of the bubble vial in the above figures is for environmental purposes only.



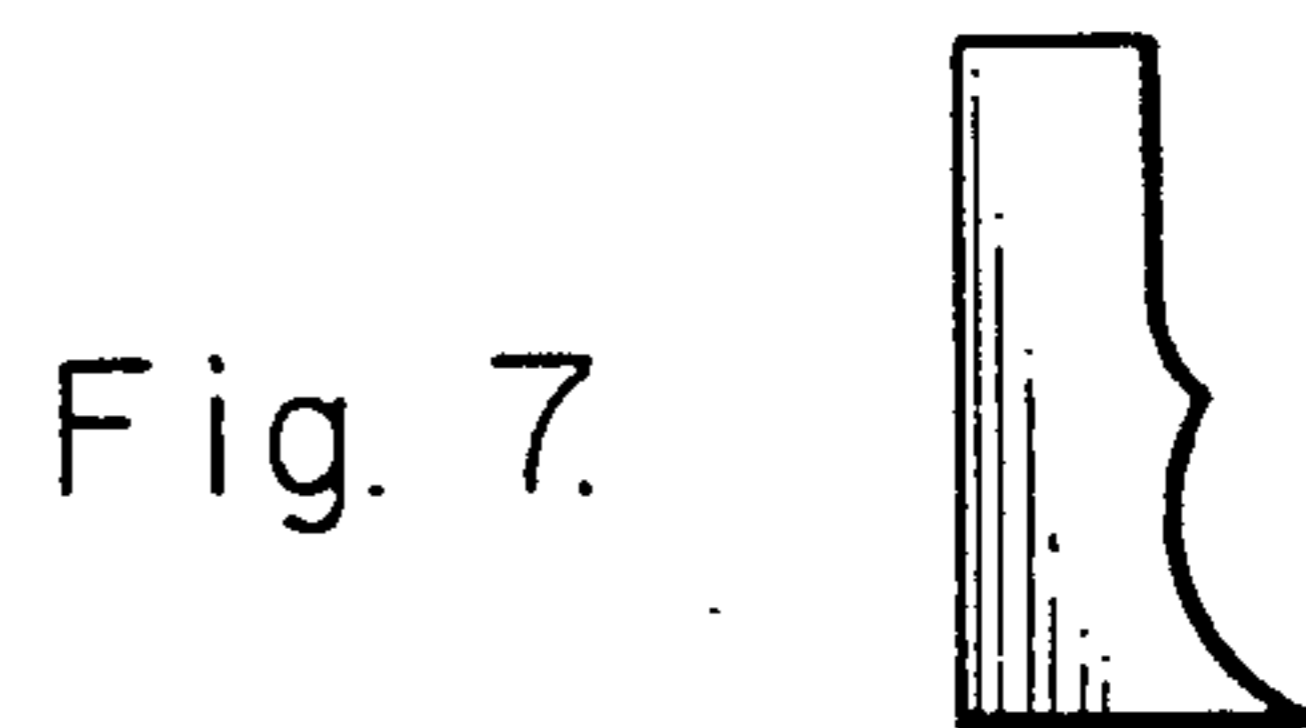
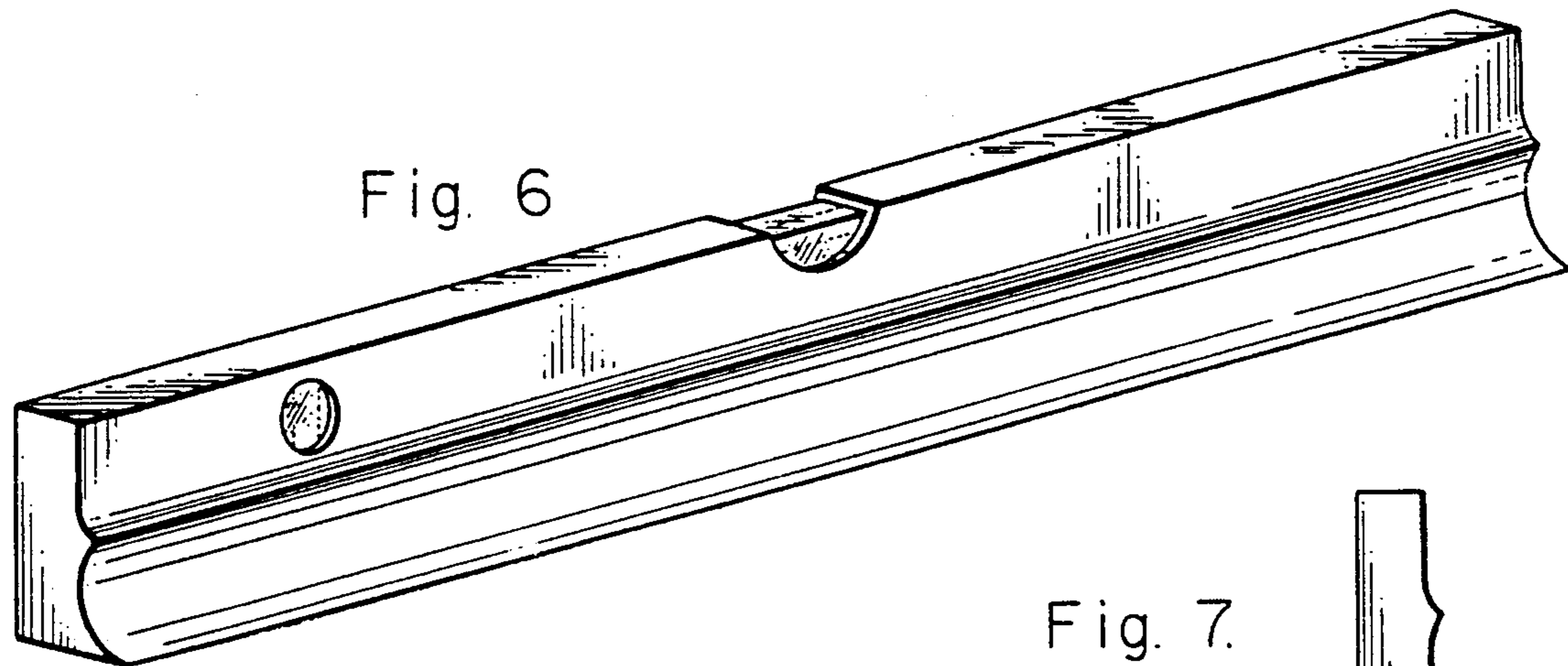
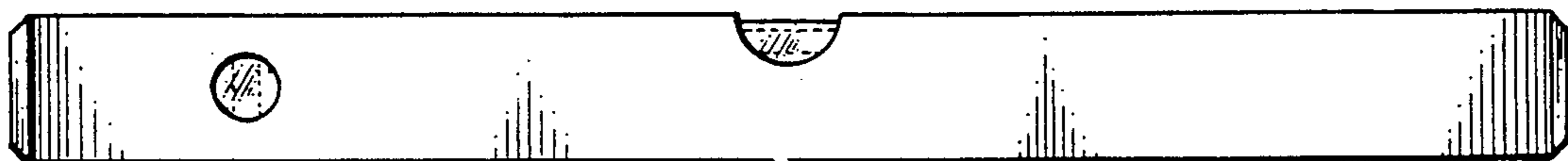
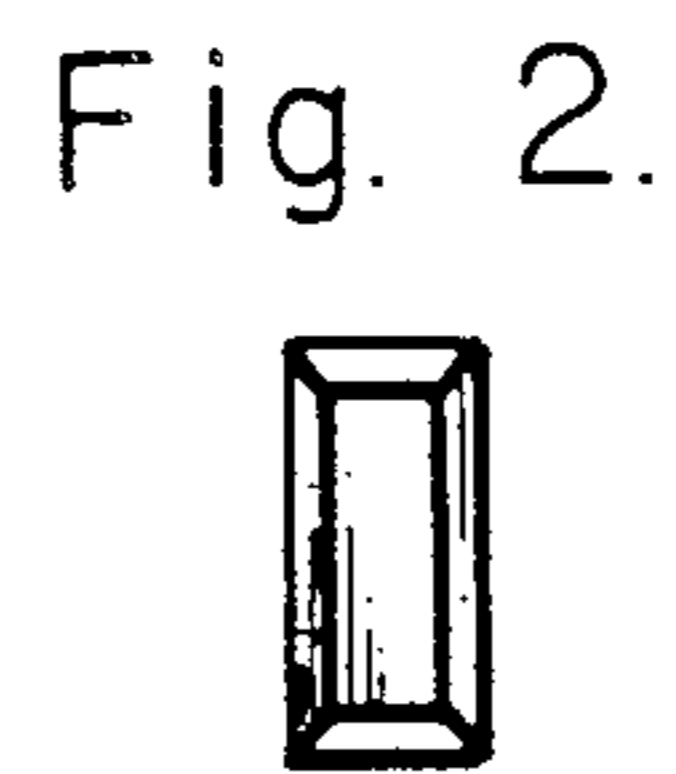
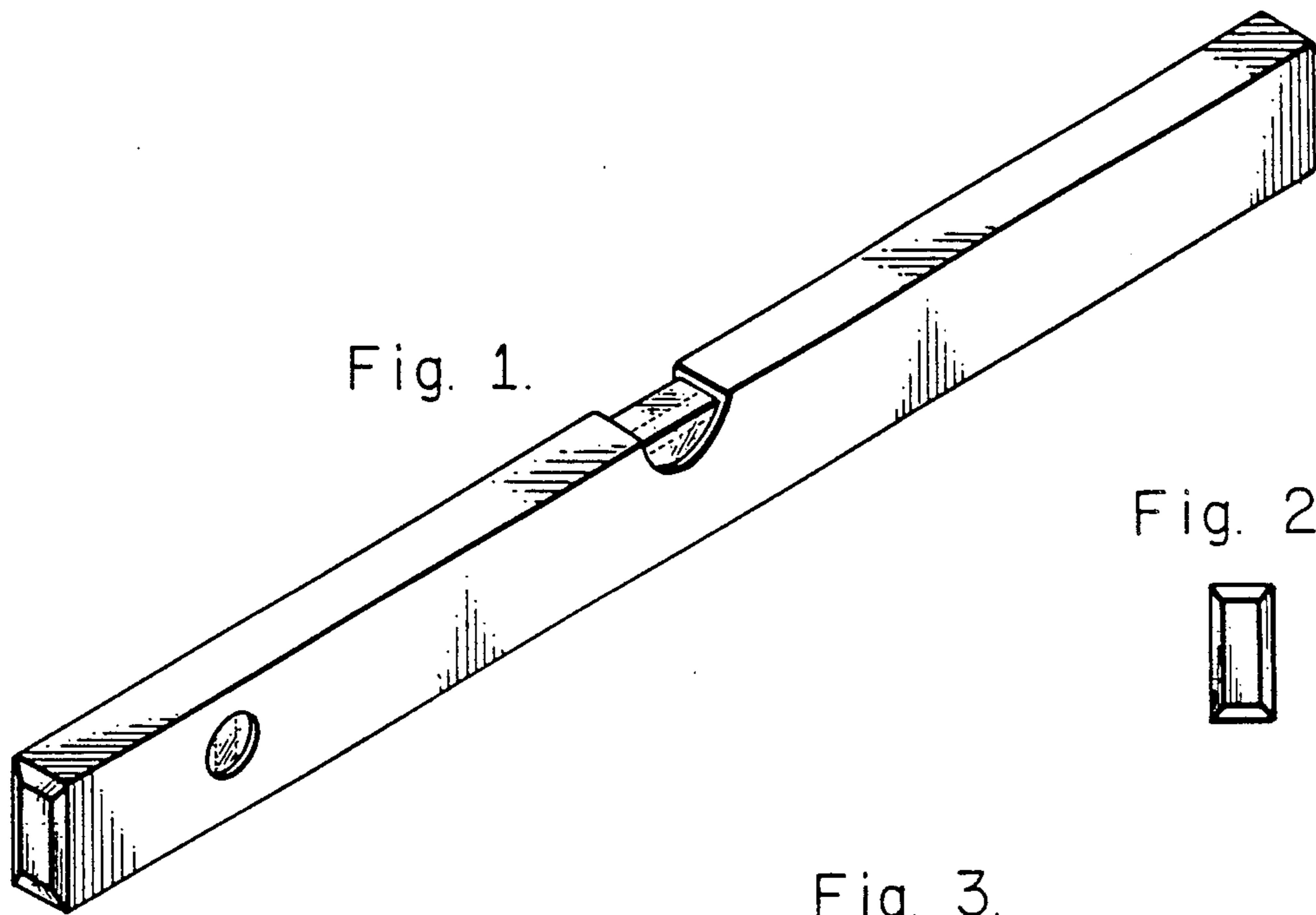


Fig. 8.



Fig. 9.

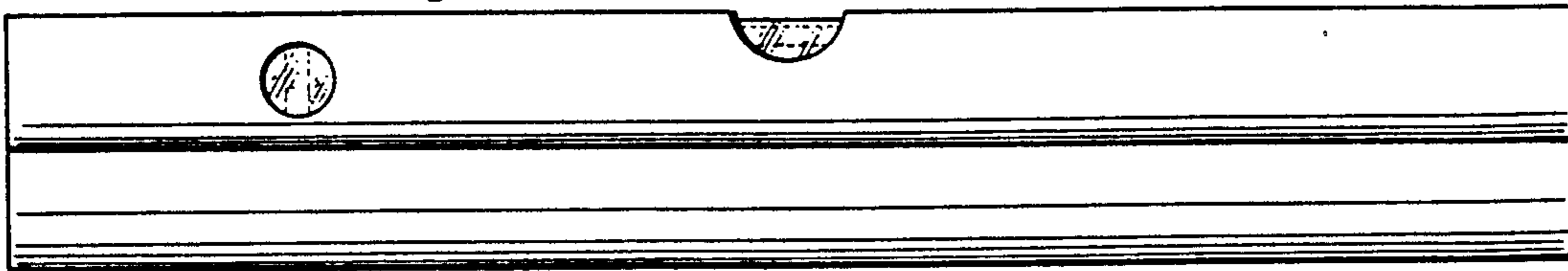


Fig. 10.

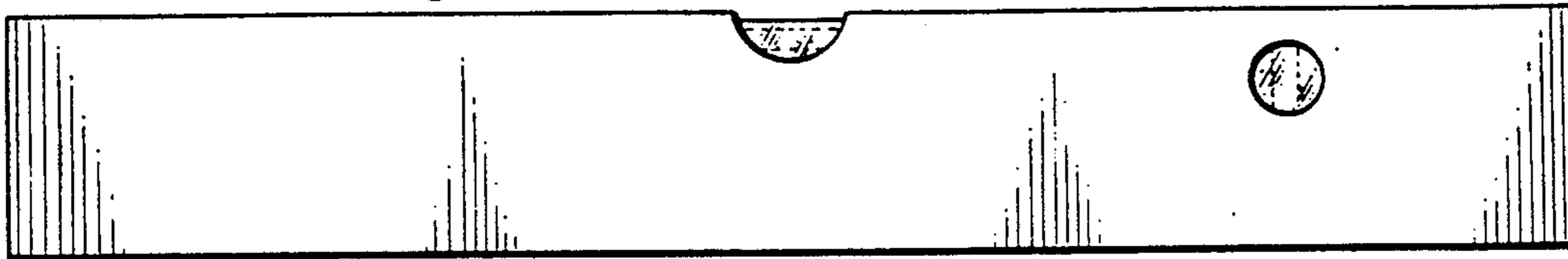


Fig. 11.



Fig. 12.

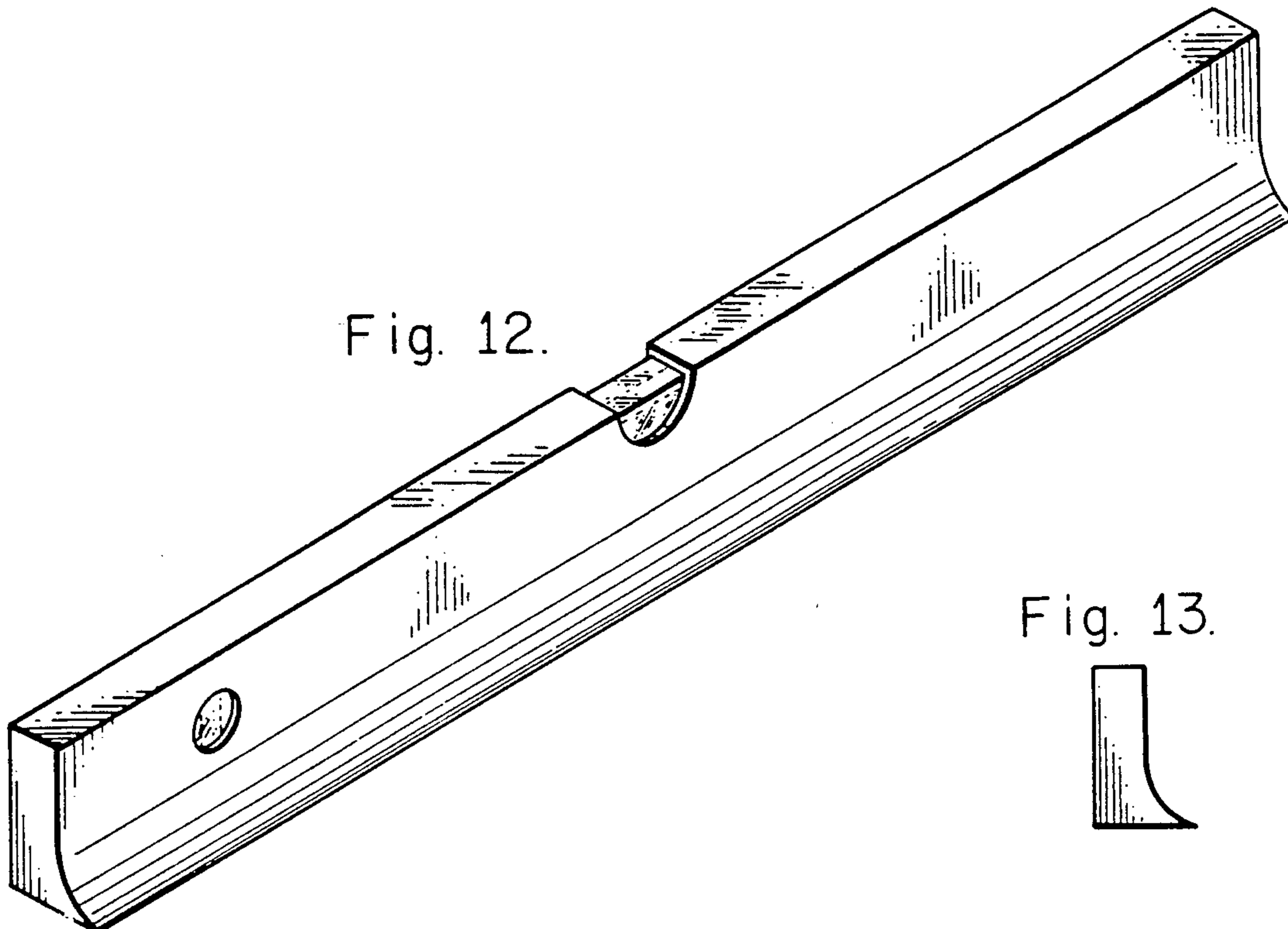


Fig. 13.



Fig. 14.



Fig. 15.

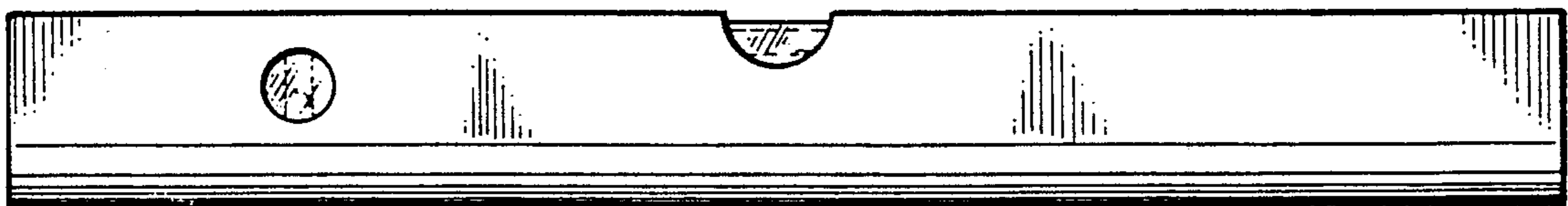
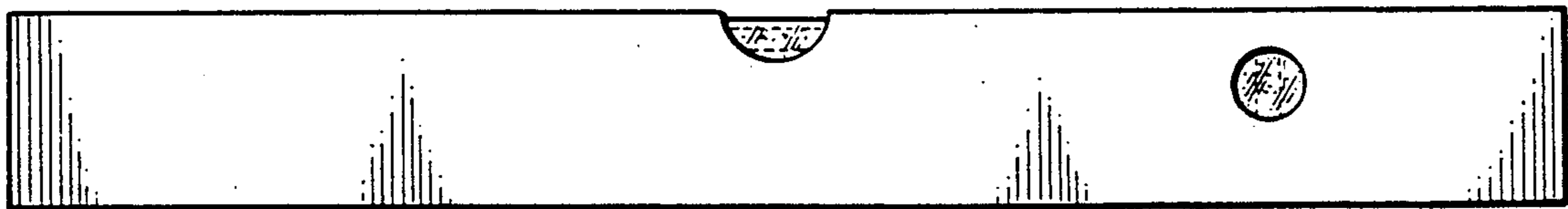


Fig. 16.



Fig. 17.





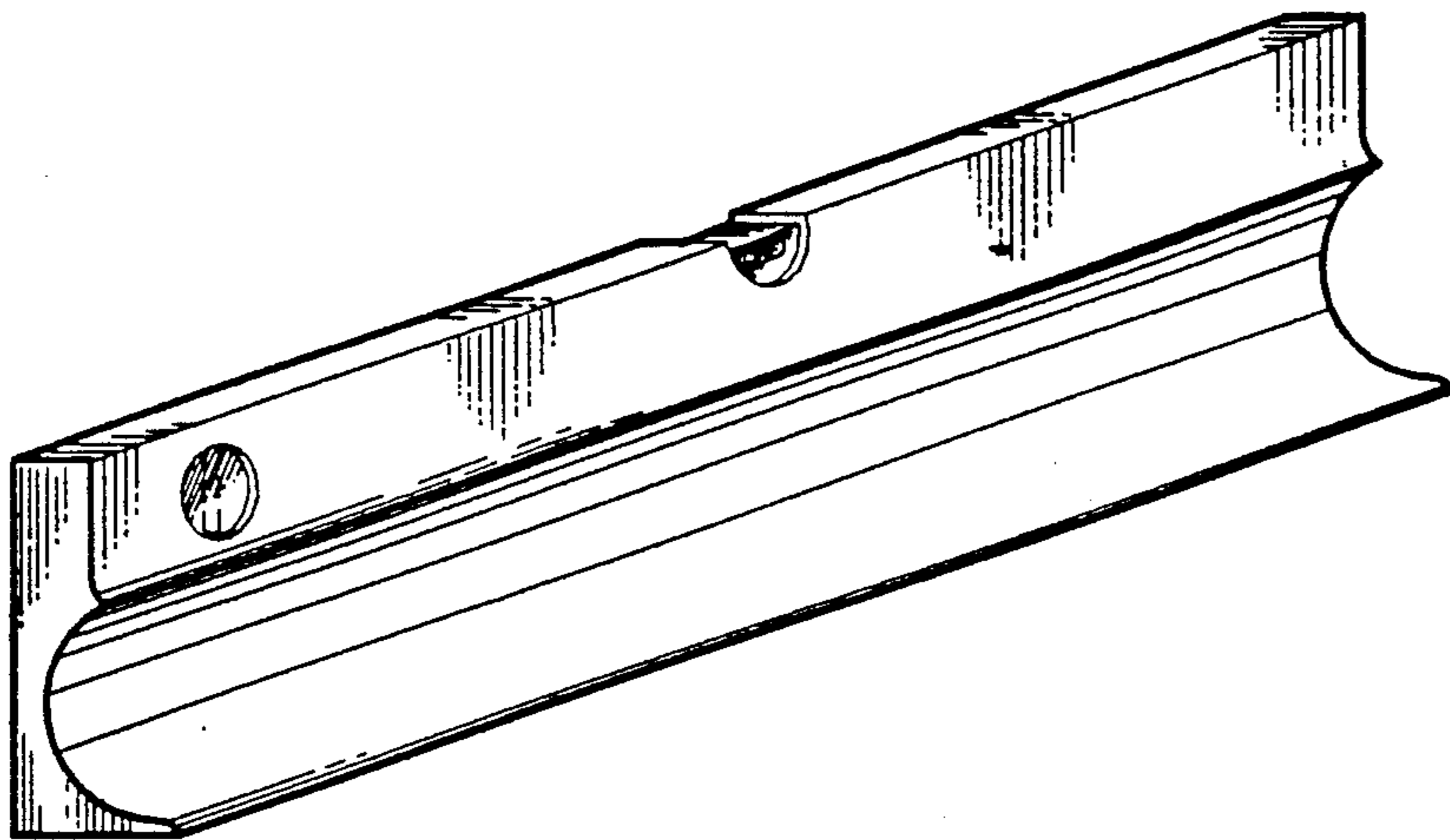


FIG. 18



FIG. 19

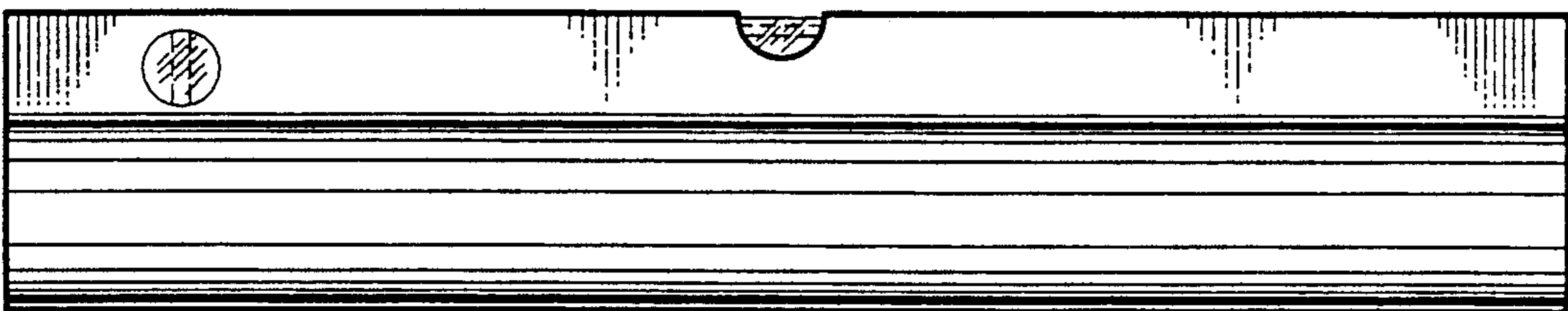


FIG. 20



FIG. 21



FIG. 22

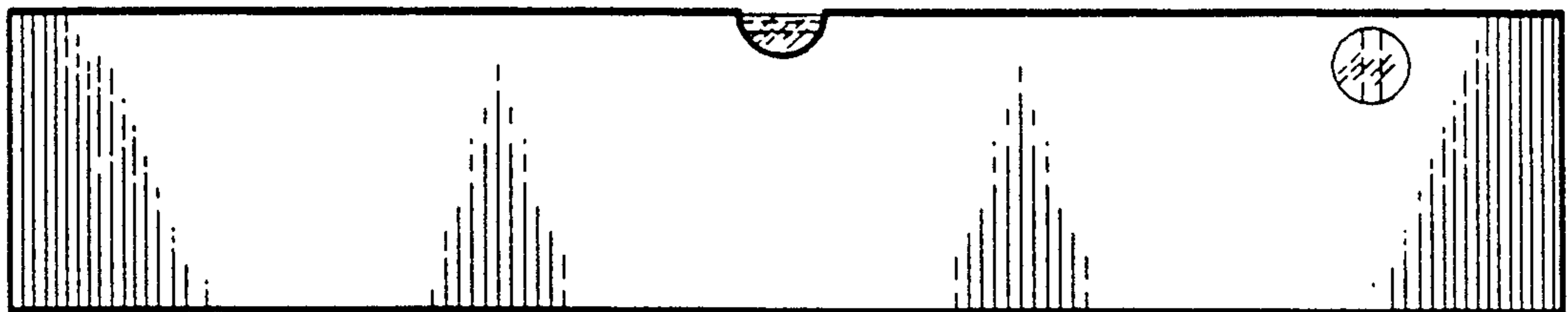


FIG. 23

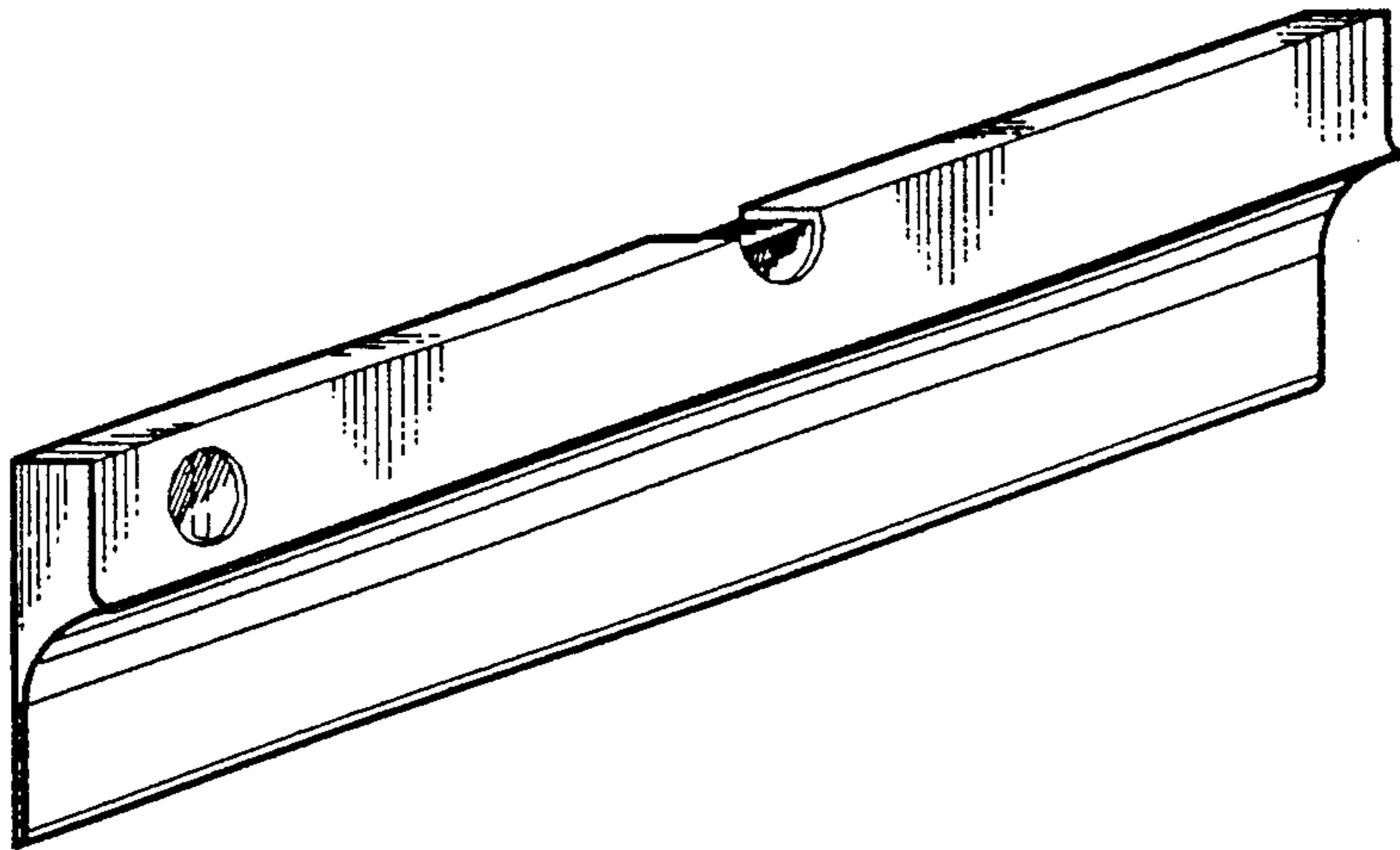


FIG. 24



FIG. 25

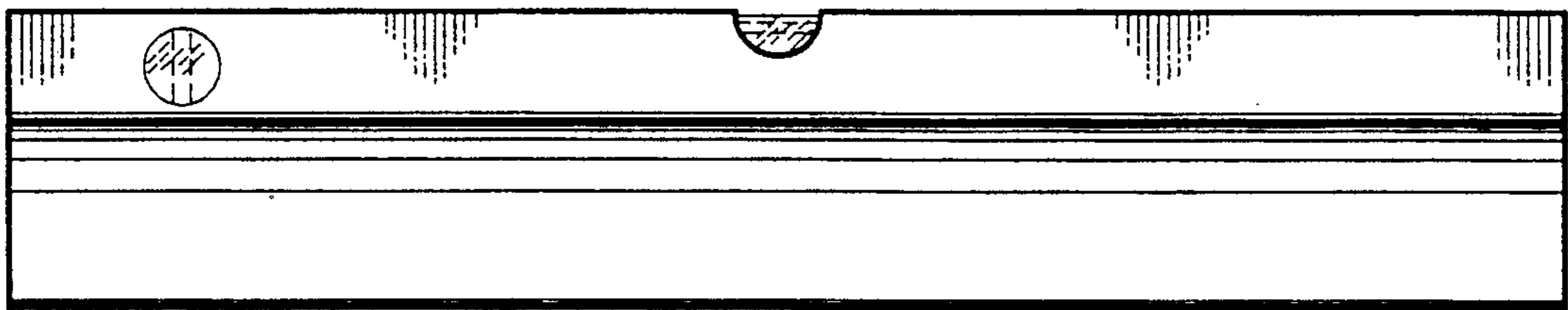


FIG. 26



FIG. 27

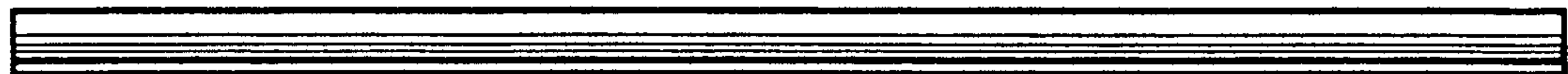


FIG. 28

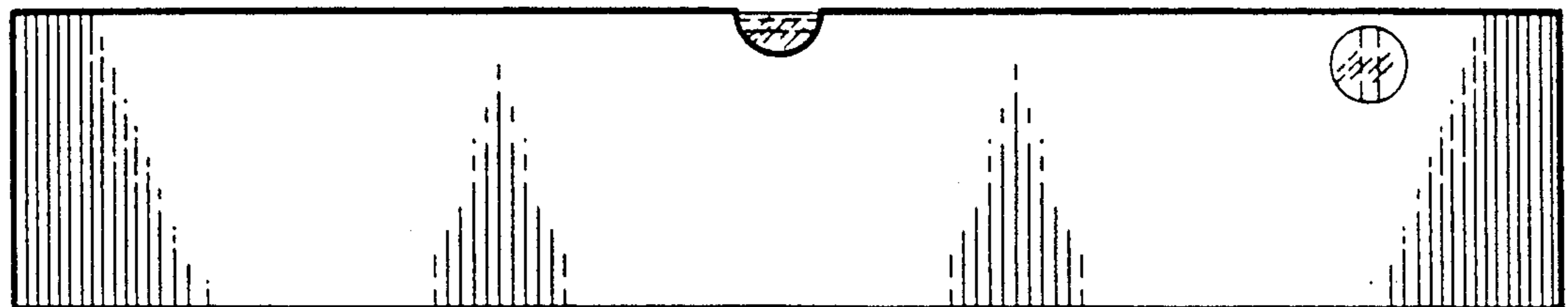


FIG. 29