

[54] THERMOSTAT

D. 270,815 10/1983 Odom D10/50
D. 271,086 10/1983 Odom D10/50

[75] Inventors: James A. Odom, Jr., Apple Valley;
Ralph E. Pasqualette, Jordan; Rolf L.
Strand, Crystal, all of Minn.

Primary Examiner—Nelson C. Holtje
Assistant Examiner—Antoine D. Davis
Attorney, Agent, or Firm—Clyde C. Blinn

[73] Assignee: Honeywell Inc., Minneapolis, Minn.

[57] CLAIM

[**] Term: 14 Years

The ornamental design for a thermostat, as shown and described.

[21] Appl. No.: 194,076

DESCRIPTION

[22] Filed: May 13, 1988

[52] U.S. Cl. D10/50

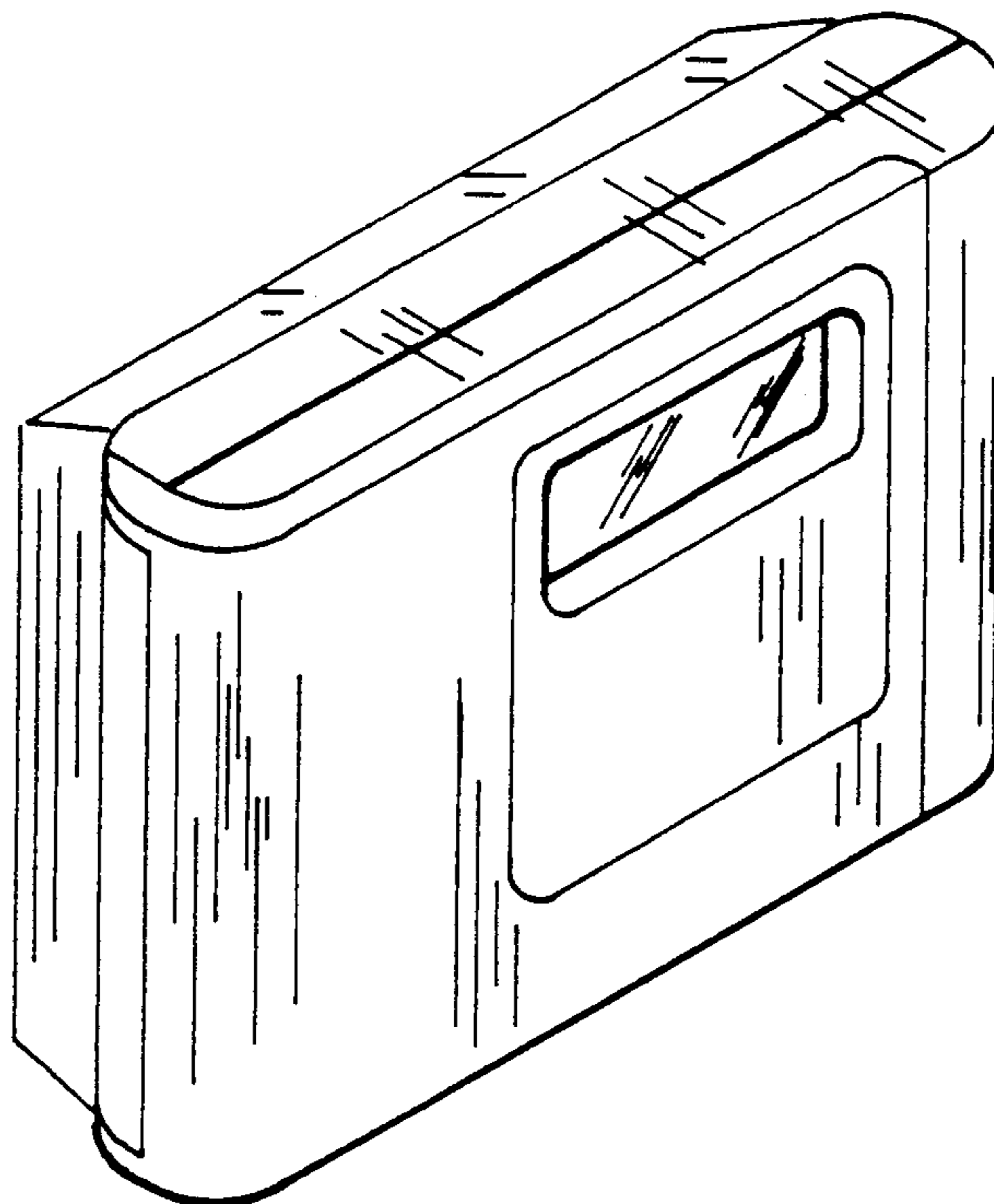
[58] Field of Search D10/2, 49, 50, 51, 52,
D10/53; 165/11, 12; 236/46 R, 94, 78 R, 78 A,
78 B, 78 C, 78 D, 78 E, 78 F, 46 A, 46 B, 46 C,
46 D, 46 E, 46 F, 71, 72, 33; 337/112, 301-303,
327, 360, 380, 414

FIG. 1 is a top, front, and left side perspective view of a thermostat showing our new design;
FIG. 2 is a front elevational view, the rear elevational view being flat, plain, and unornamented;
FIG. 3 is a right side elevational view, the left side elevational view being a mirror image;
FIG. 4 is a top plan view;
FIG. 5 is a top and front perspective view, the front cover being hinged open;
FIG. 6 is a top plan view of FIG. 5;
FIG. 7 is a right side elevational view of FIG. 5; and
FIG. 8 is a bottom plan view of FIG. 5 thereof.

[56] References Cited

U.S. PATENT DOCUMENTS

D. 256,335 8/1980 Pasqualette D10/50
D. 256,336 8/1980 Odom et al. D10/51



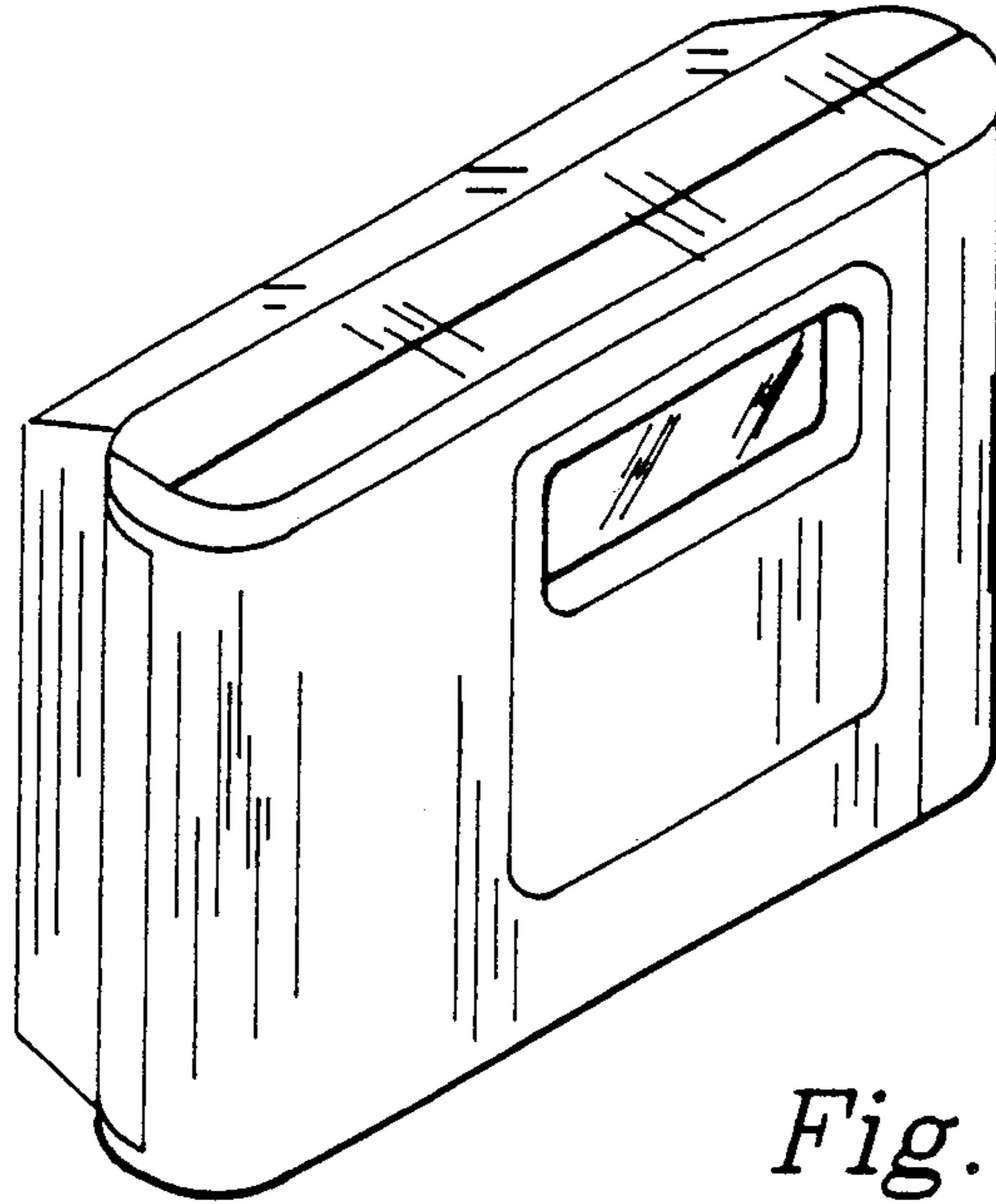


Fig. 1

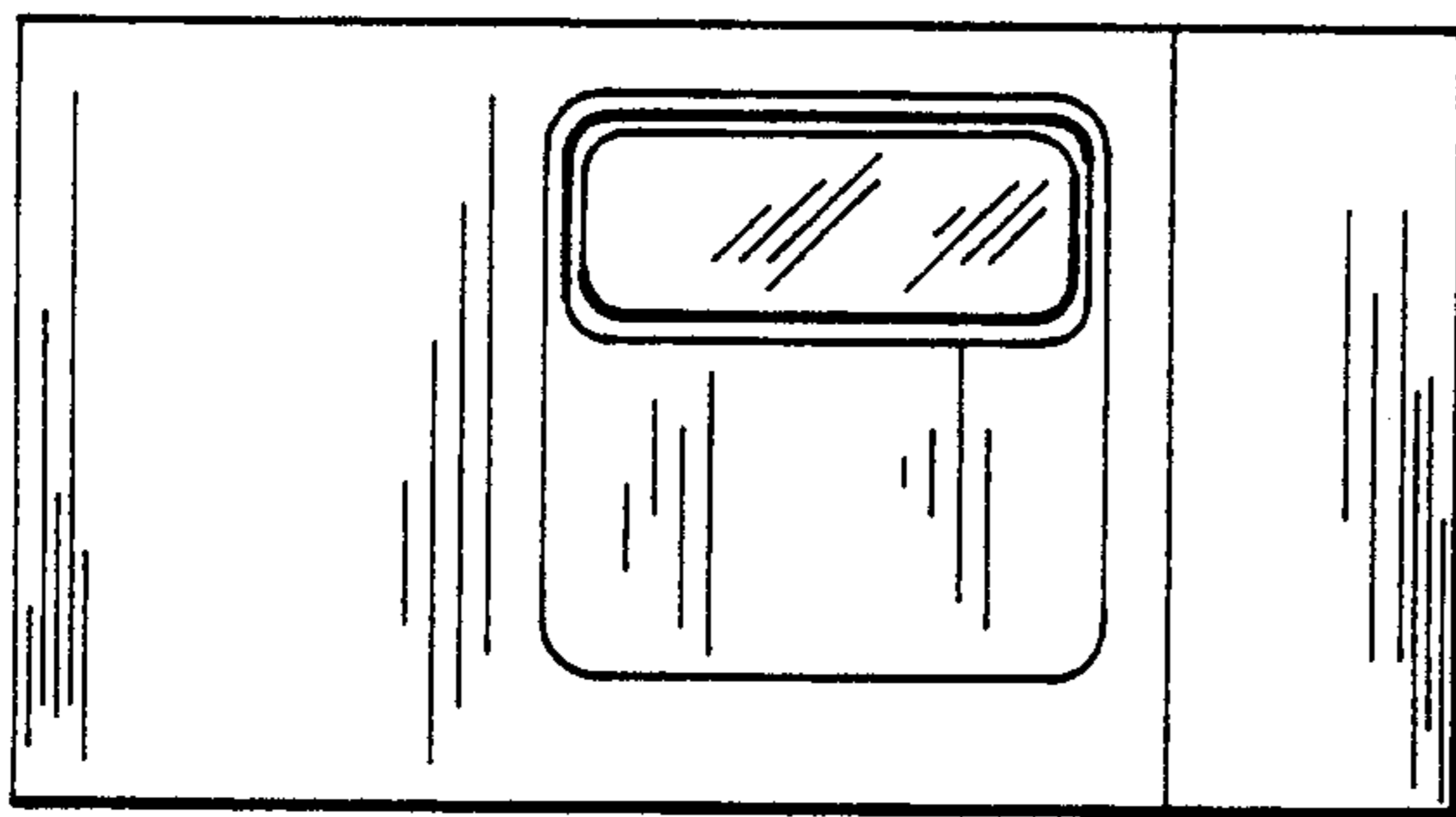


Fig. 2

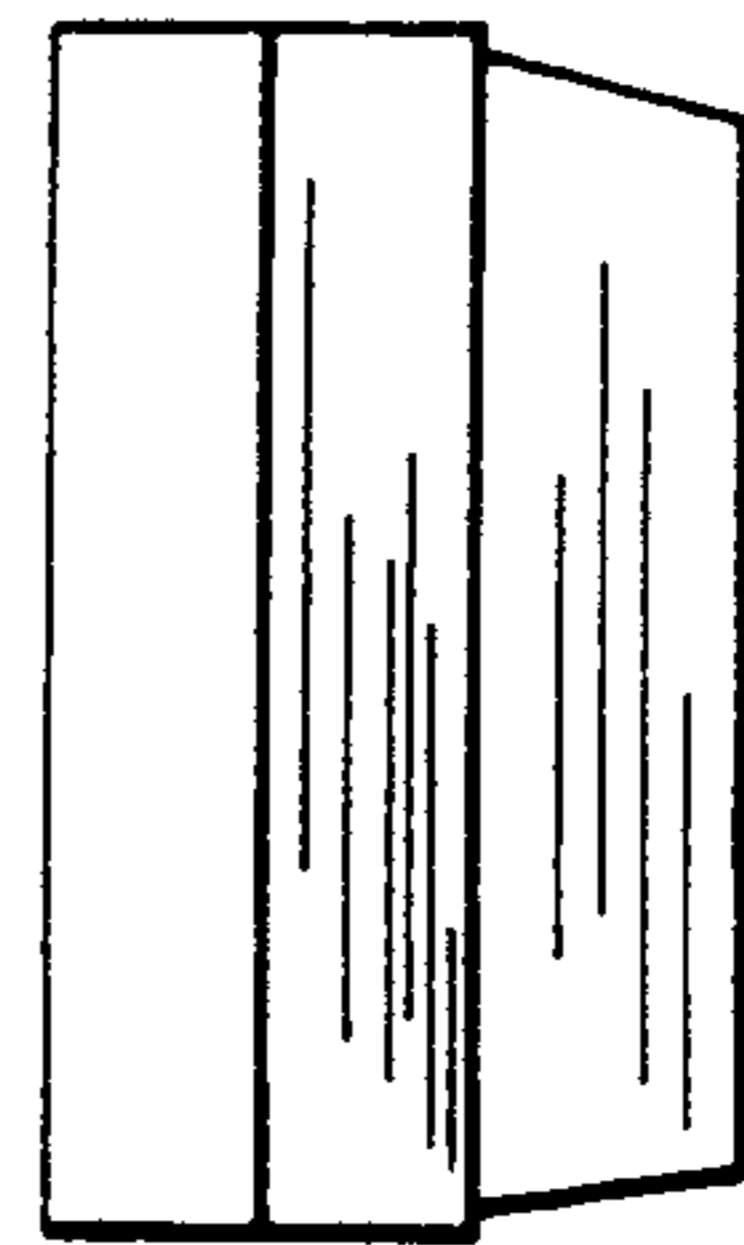


Fig. 3

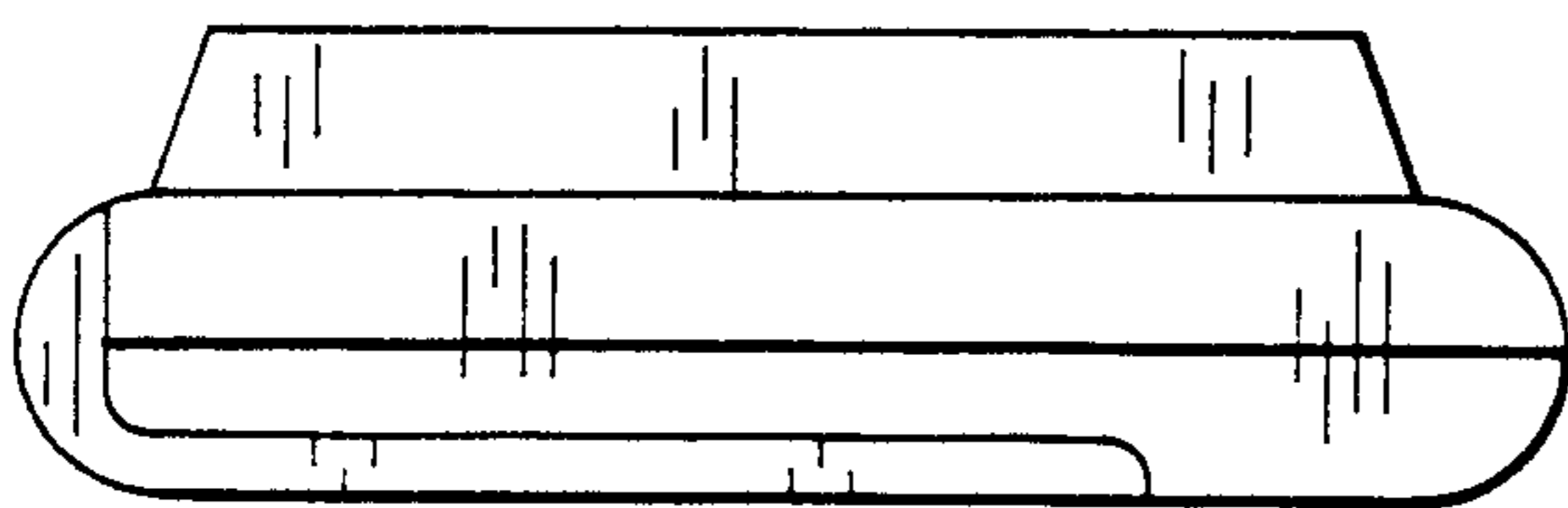


Fig. 4

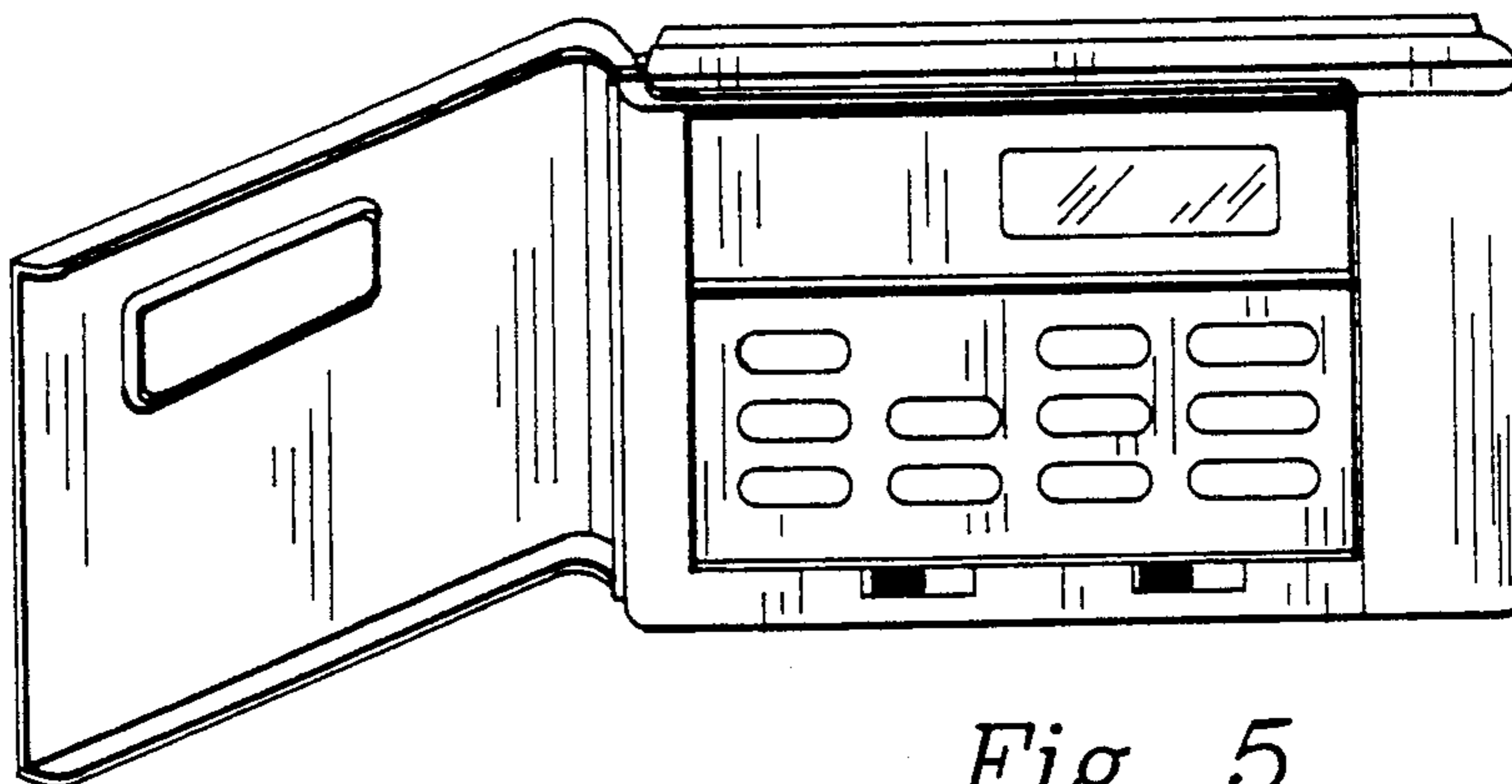


Fig. 5

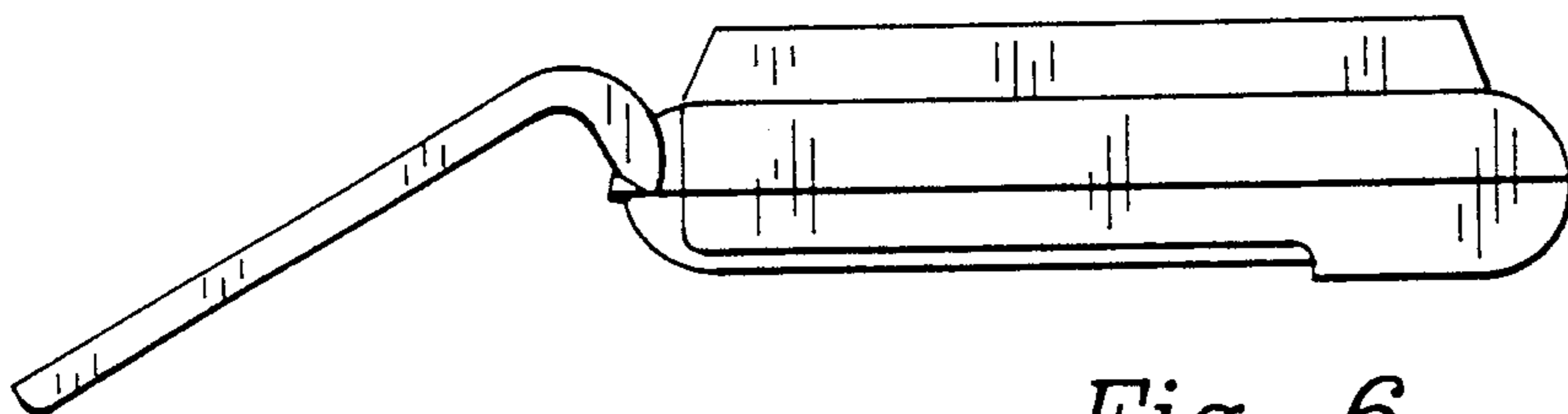


Fig. 6

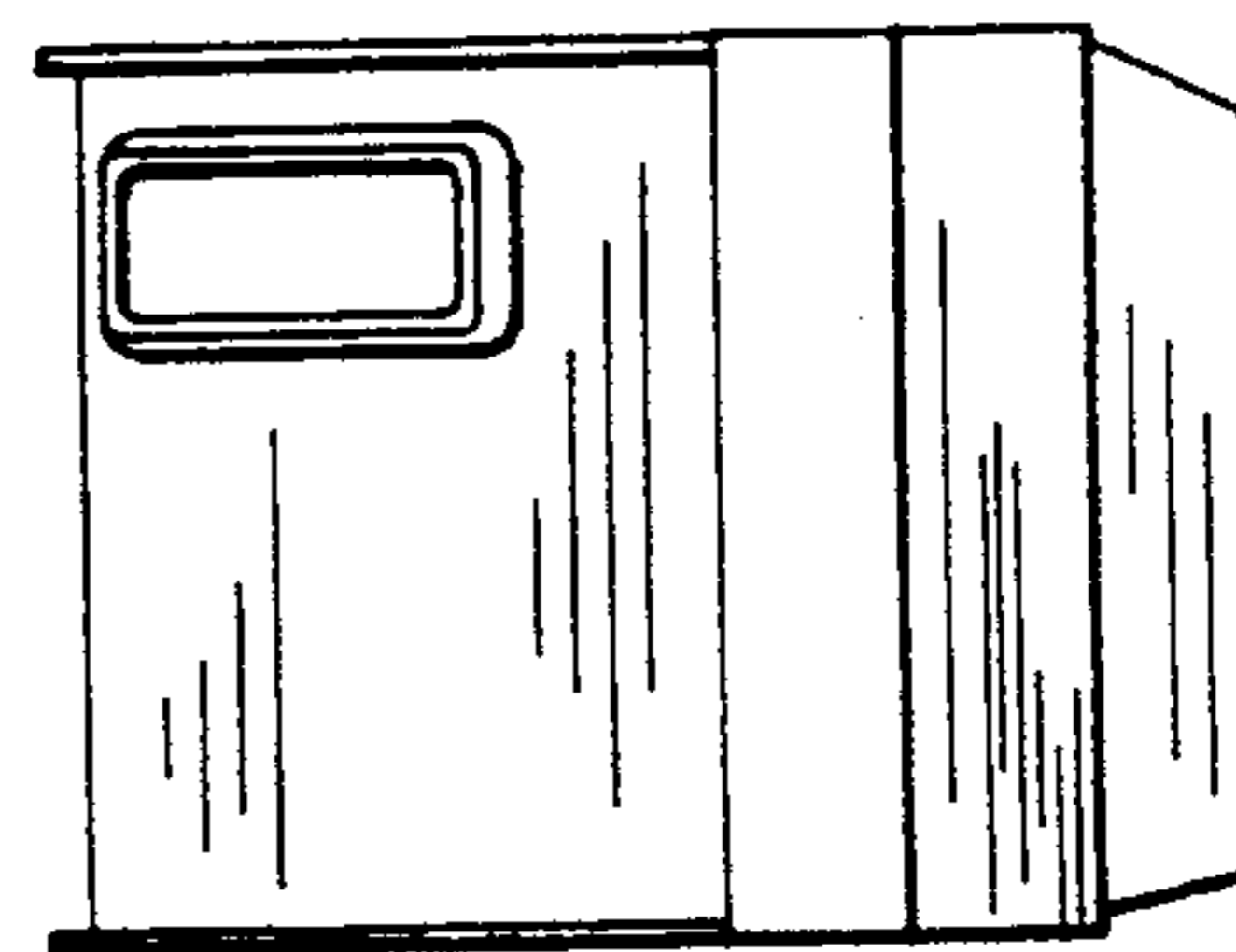


Fig. 7

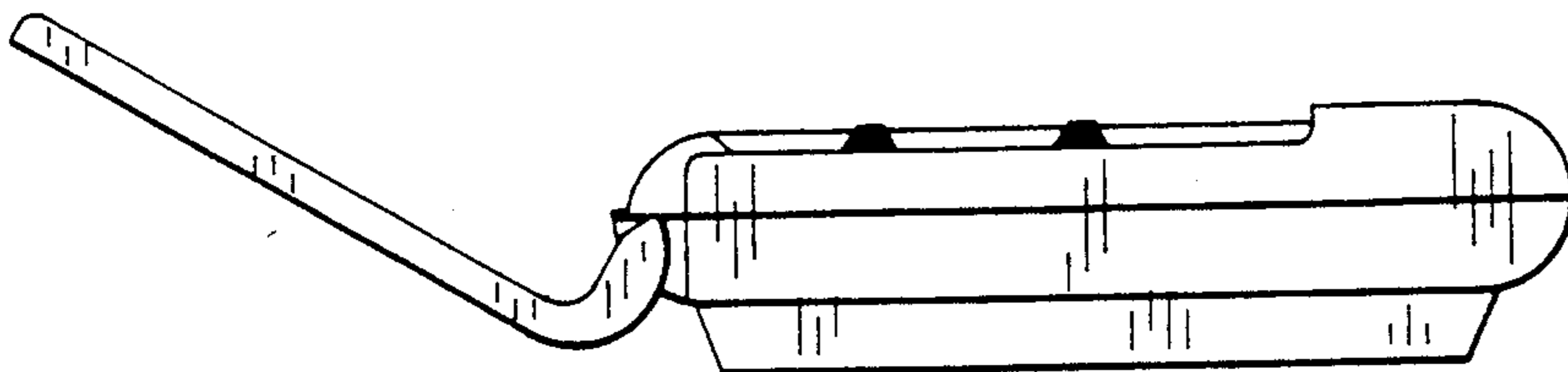


Fig. 8