

[54] WATCH

[76] Inventor: Gerald Genta, 19, rue de Saint-Jean, 1203 Geneva, Canton of Geneva, Switzerland

[**] Term: 14 Years

[21] Appl. No.: 3,595

[22] Filed: Jan. 15, 1987

[30] Foreign Application Priority Data

Aug. 27, 1986 [IB] Int'l Pat. Institute DM/007406

[52] U.S. Cl. D10/39; D10/126

[58] Field of Search D10/1-39, D10/122-132; 368/276-277, 280-282, 285

[56] References Cited

U.S. PATENT DOCUMENTS

D. 98,249 1/1936 Goldblatt D10/132
D. 99,568 5/1936 Cohn D10/132 X

D. 162,961 4/1951 Katz D10/132

OTHER PUBLICATIONS

Jeweler's Circular—Keystone—3/71—p. 34—watch at bottom left.

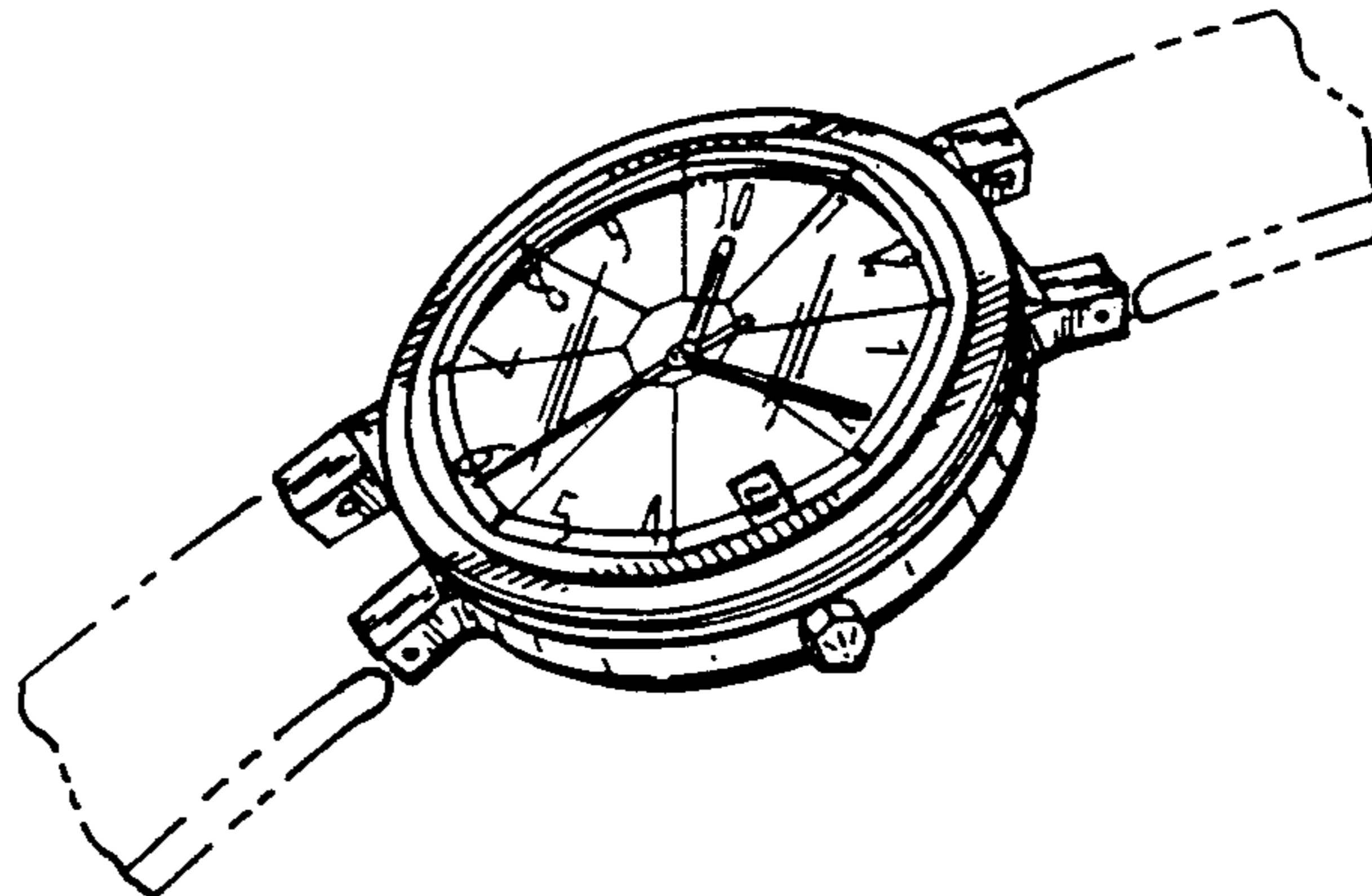
*Primary Examiner—Nelson C. Holtje
Attorney, Agent, or Firm—Silverman, Cass & Singer, Ltd.*

[57] CLAIM

The ornamental design for a watch, as shown.

DESCRIPTION

FIG. 1 is a front perspective view of a watch showing my new design;
FIG. 2 is a top plan view thereof;
FIG. 3 is a bottom plan view thereof;
FIG. 4 is a right side elevational view thereof;
FIG. 5 is a left side elevational view thereof;
FIG. 6 is a front elevational view thereof; and,
FIG. 7 is a rear elevational view thereof.



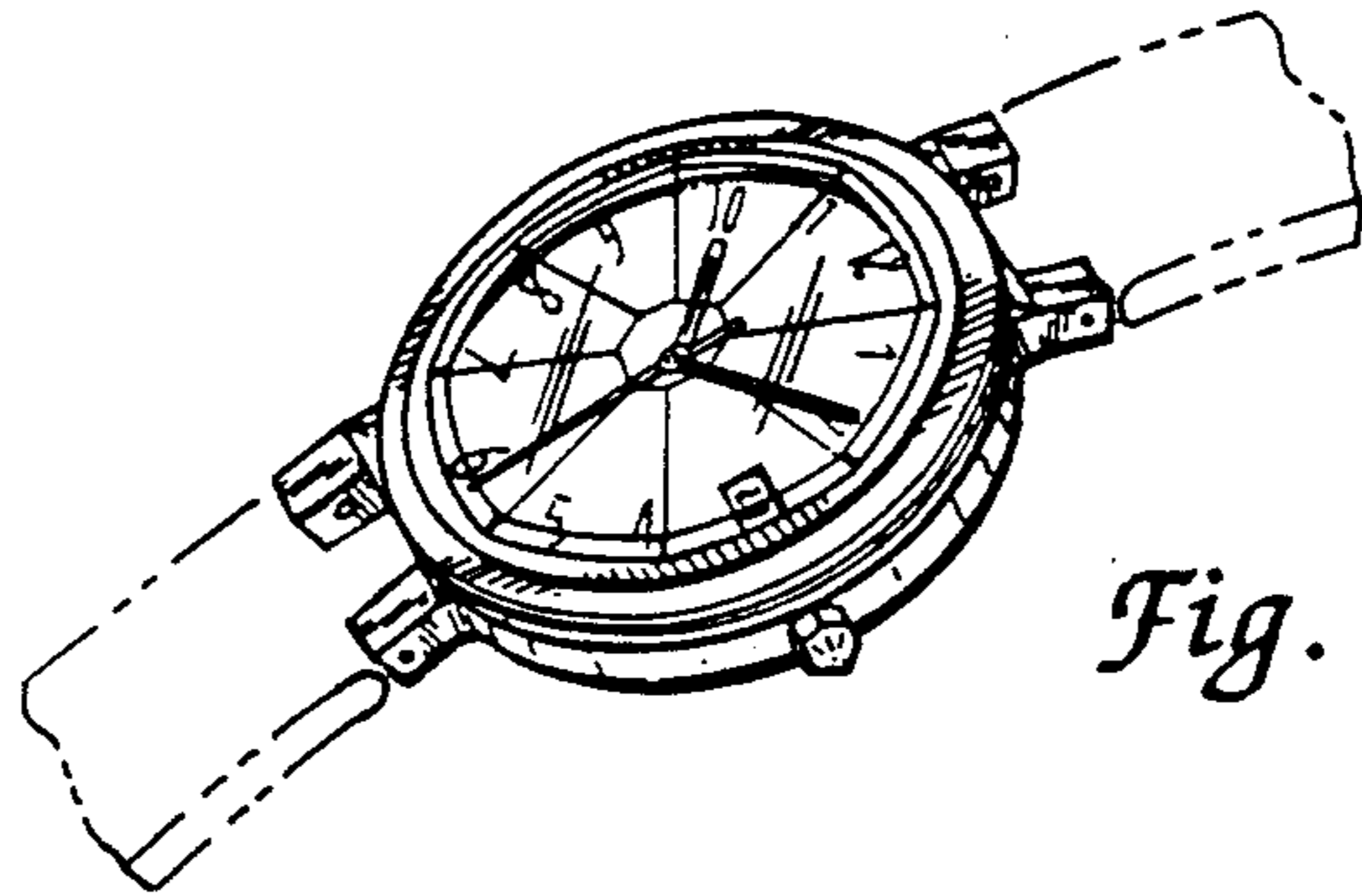


Fig. 1

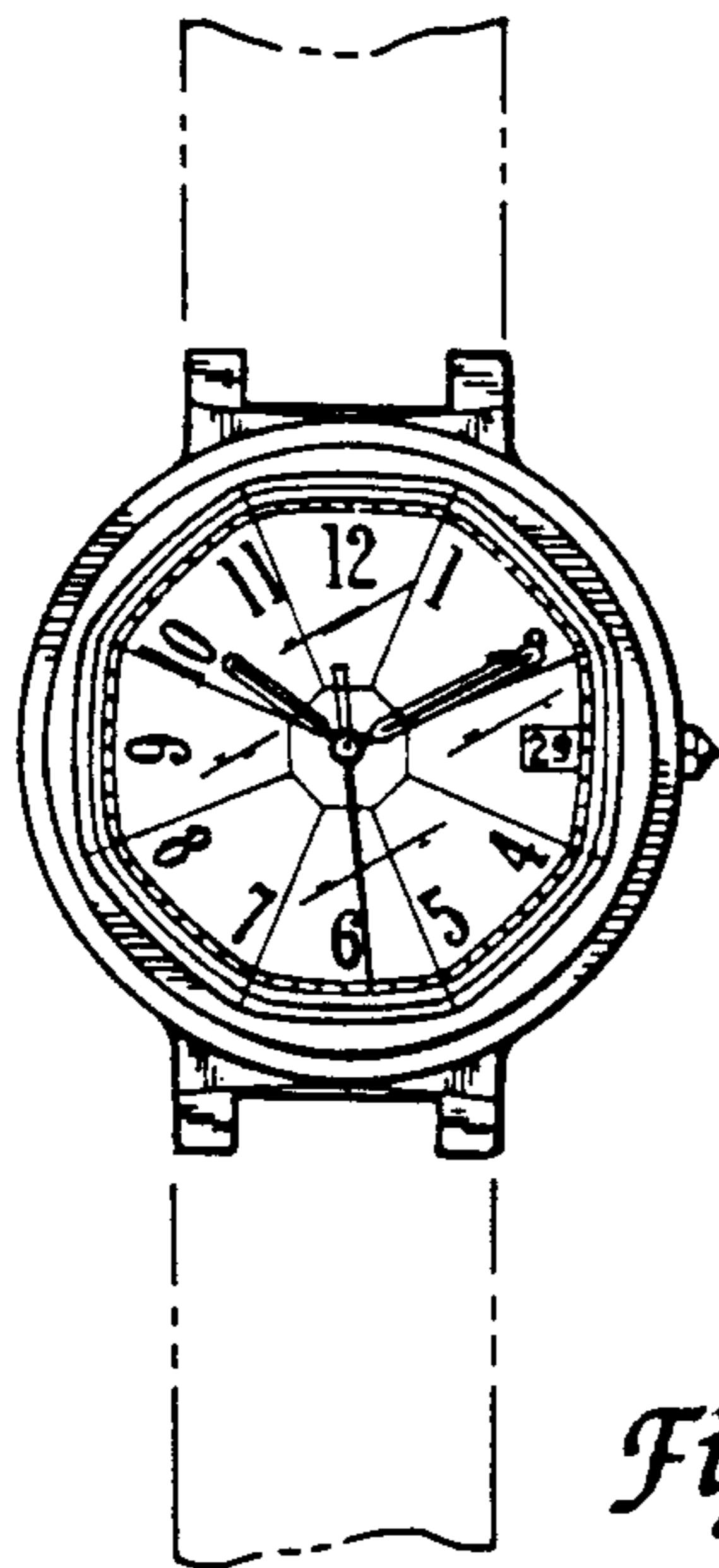


Fig. 2

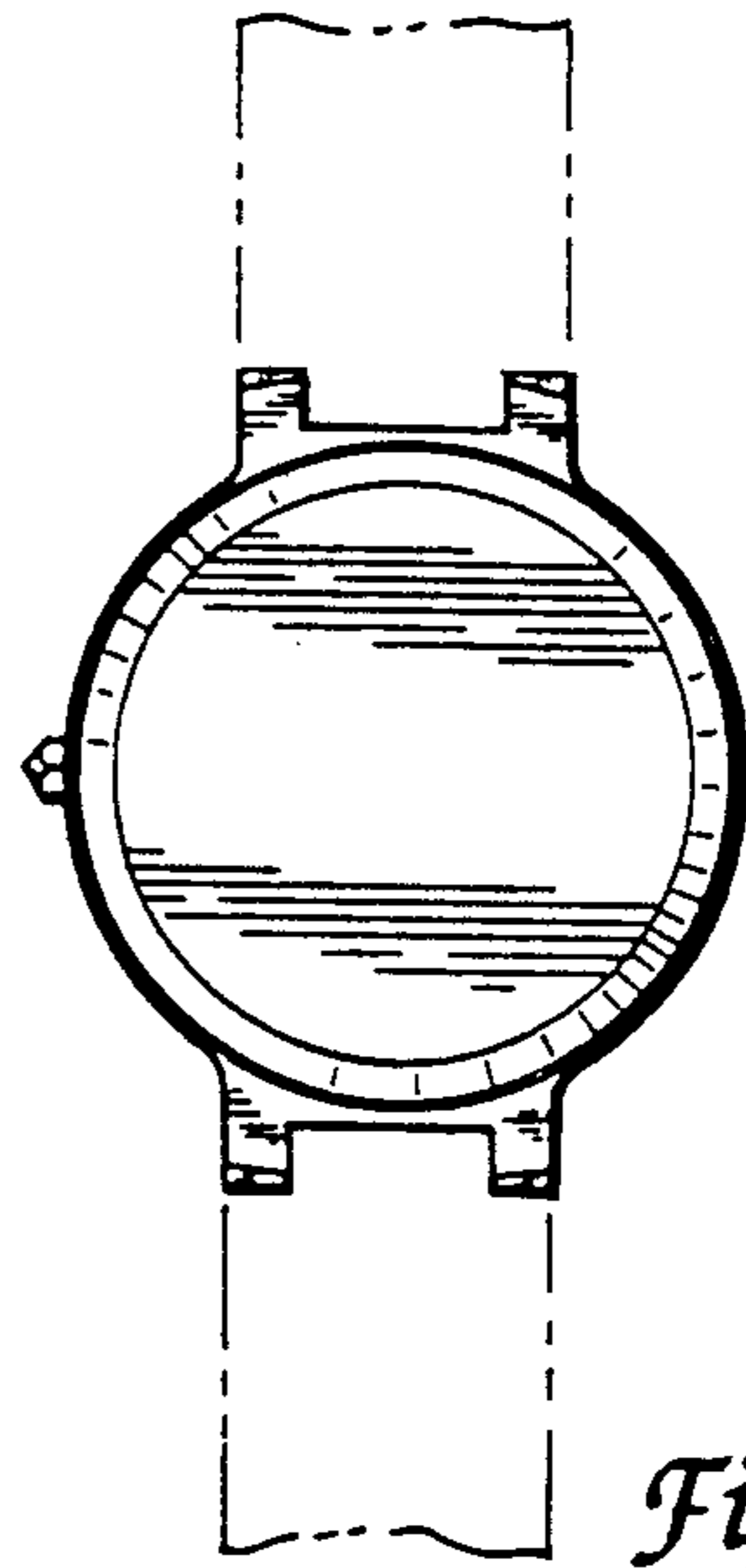


Fig. 3



Fig. 4

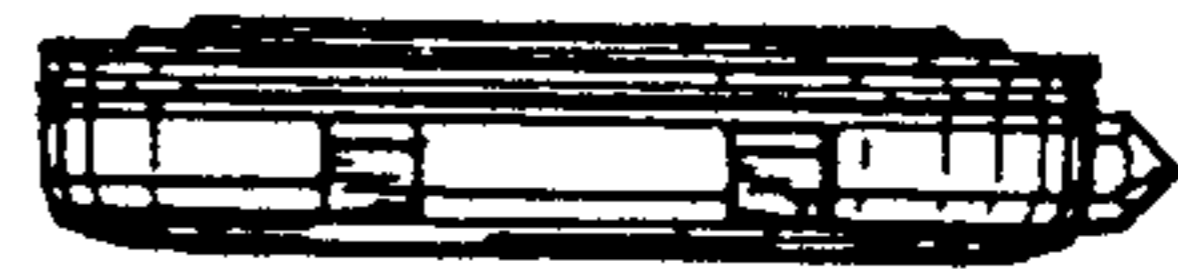


Fig. 6



Fig. 5

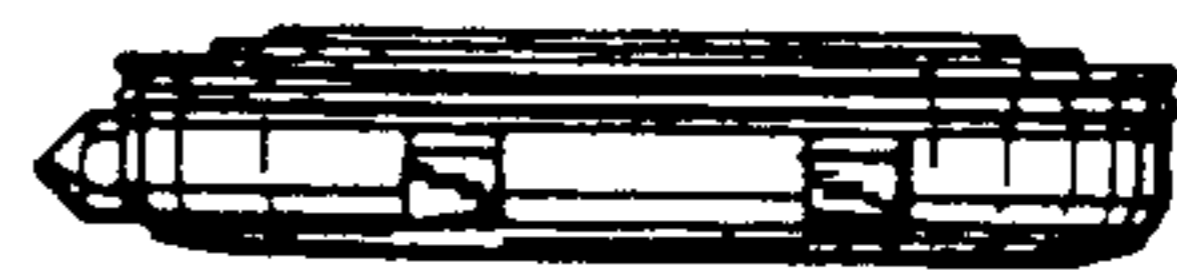


Fig. 7