

[54] **TIMING WATCH**

[75] **Inventor:** John T. Houlihan, Watertown, Conn.

[73] **Assignee:** Timex Corporation, Middlebury, Conn.

[\*\*] **Term:** 14 Years

[21] **Appl. No.:** 186,974

[22] **Filed:** Apr. 22, 1988

[52] **U.S. Cl. ....** D10/30; D10/38

[58] **Field of Search ....** D10/1, 2, 30-39,  
D10/122-126; 368/71, 72, 74, 76, 77, 80-88,  
229-242, 276-286

[56] **References Cited**

**U.S. PATENT DOCUMENTS**

D. 286,382	10/1986	Matsuo	.....	D10/30 X
D. 287,341	12/1986	Grimes	.....	D10/30
D. 287,470	12/1986	Houlihan	.....	D10/30
D. 301,206	5/1989	Sugano	.....	D10/30 X
D. 301,840	6/1989	Houlihan	.....	D10/38 X

4,783,772 11/1988 Umemoto et al. .... 368/11

**OTHER PUBLICATIONS**

European Jeweler; 2/1987; p. 162; Casio Pulsecheck watch.

*Primary Examiner*—Nelson C. Holtje

*Assistant Examiner*—Caron D. Veynar

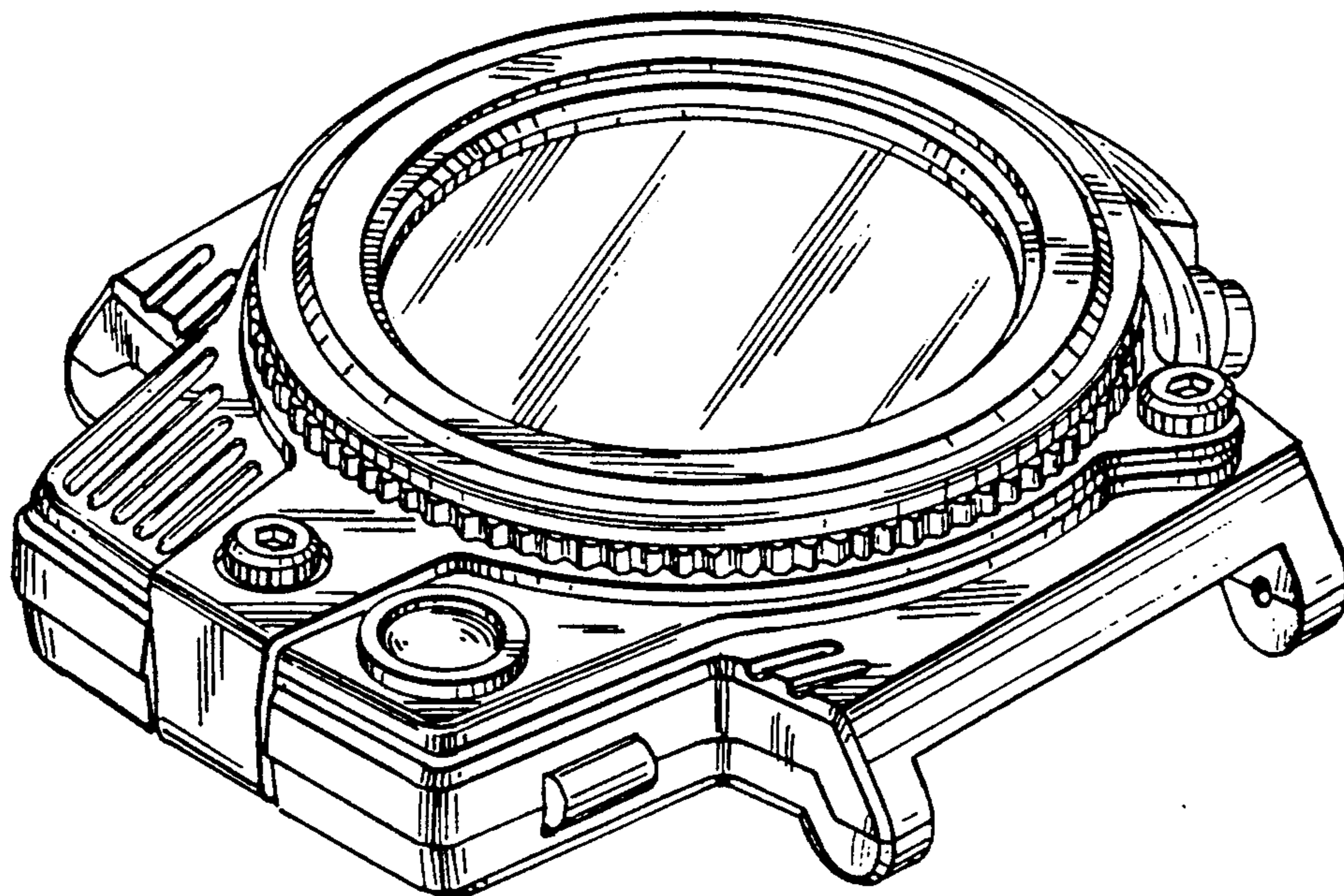
*Attorney, Agent, or Firm*—William C. Crutcher

[57] **CLAIM**

The ornamental design for a timing watch, as shown and described.

**DESCRIPTION**

FIG. 1 is a left, front and top perspective view of a yachting watch showing my new design;  
FIG. 2 is a front elevational view thereof;  
FIG. 3 is a top plan view thereof;  
FIG. 4 is a rear elevational view thereof;  
FIG. 5 is a right side elevational view thereof;  
FIG. 6 is a left side elevational view thereof;  
FIG. 7 is a bottom plan view thereof.



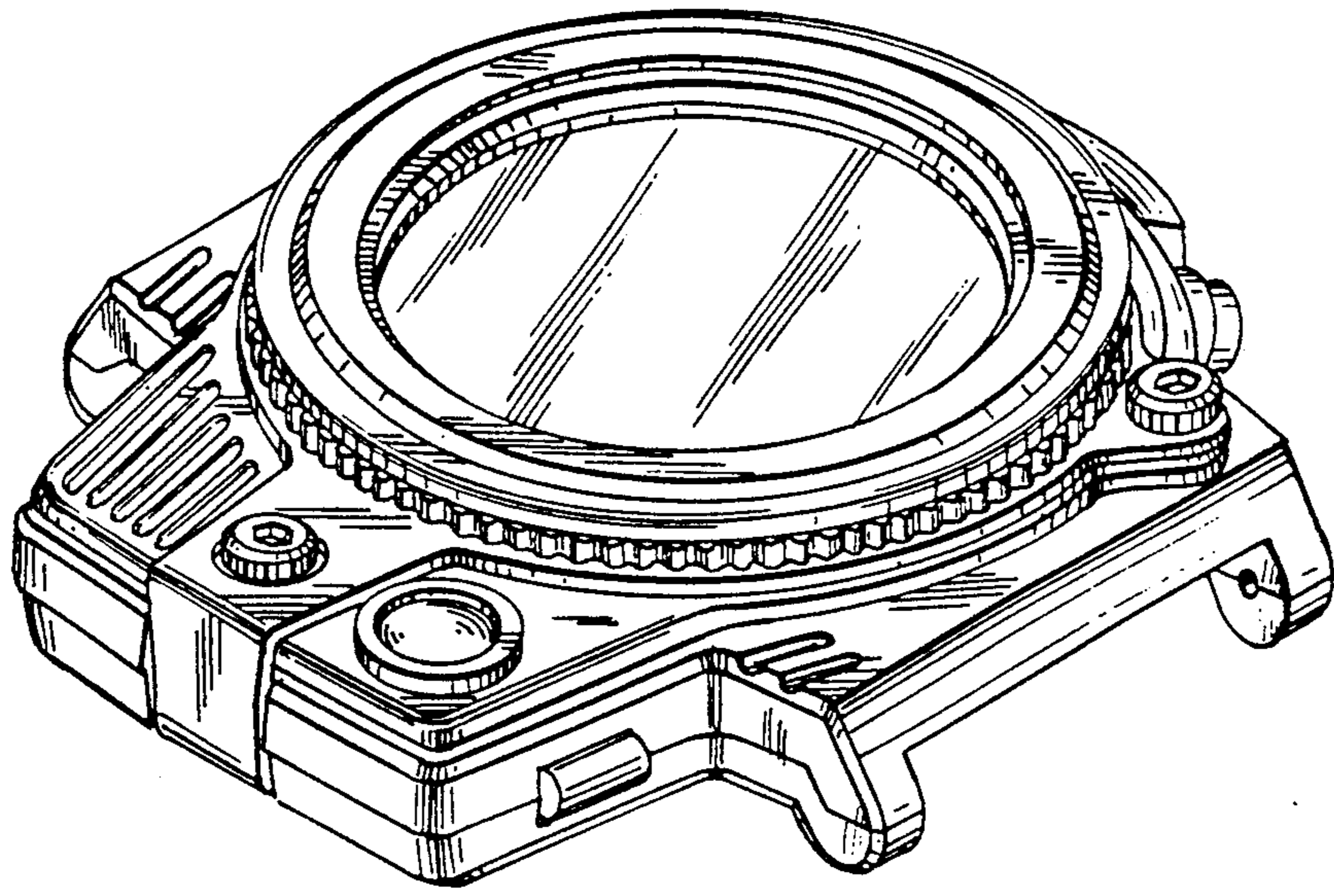


FIG. 1

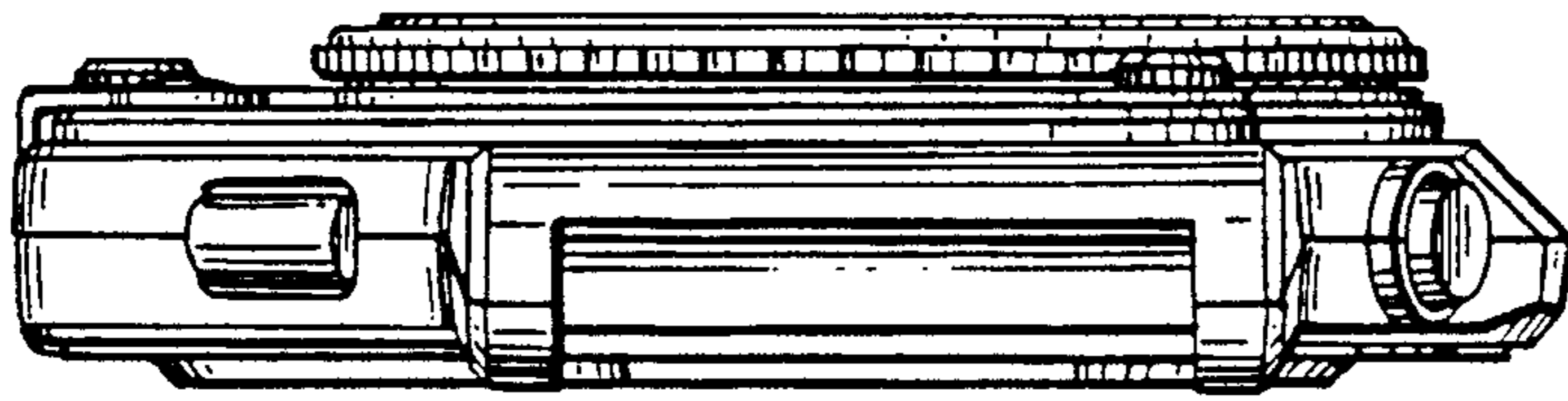


FIG. 2

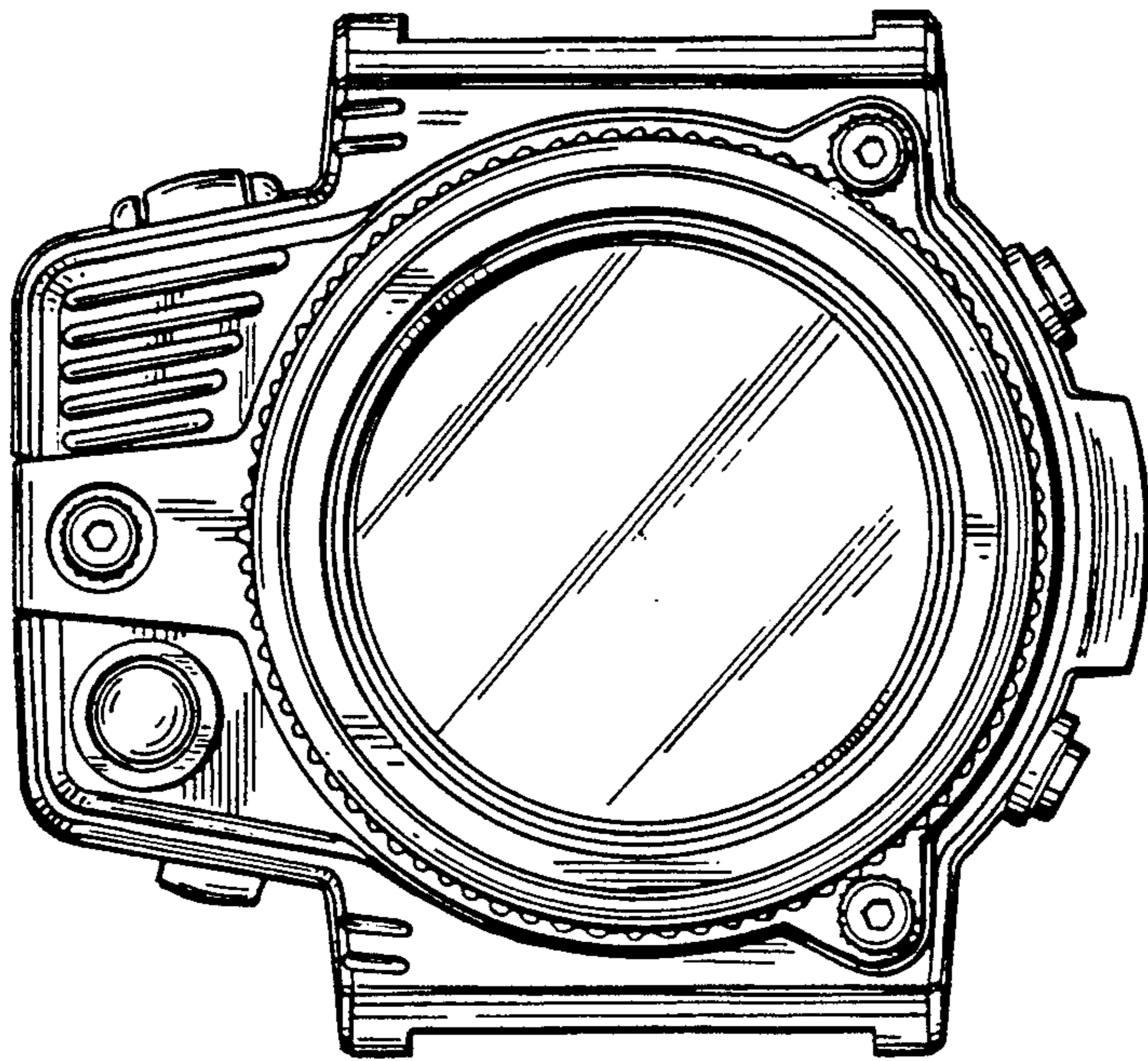


FIG. 3



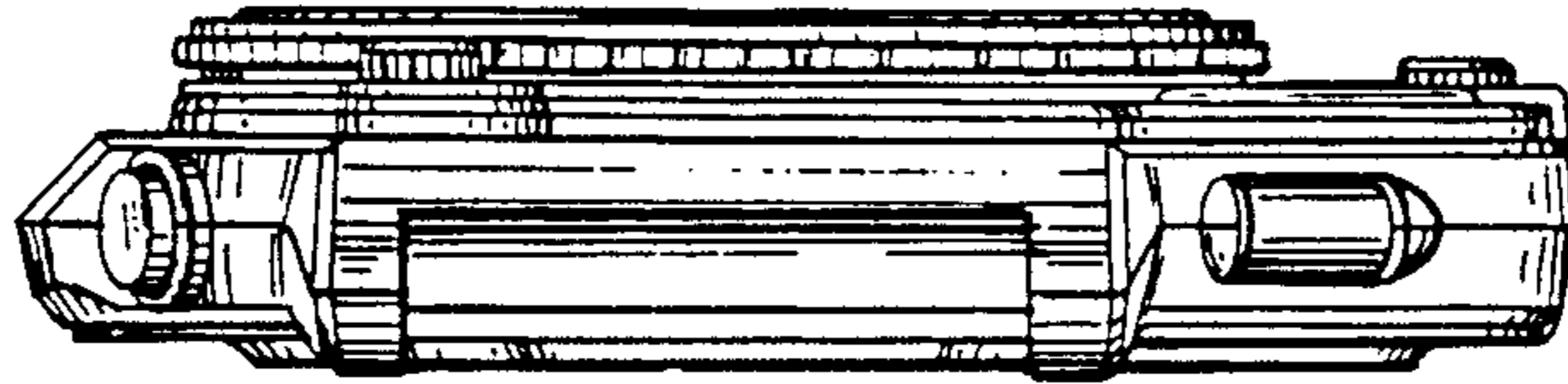


FIG. 4

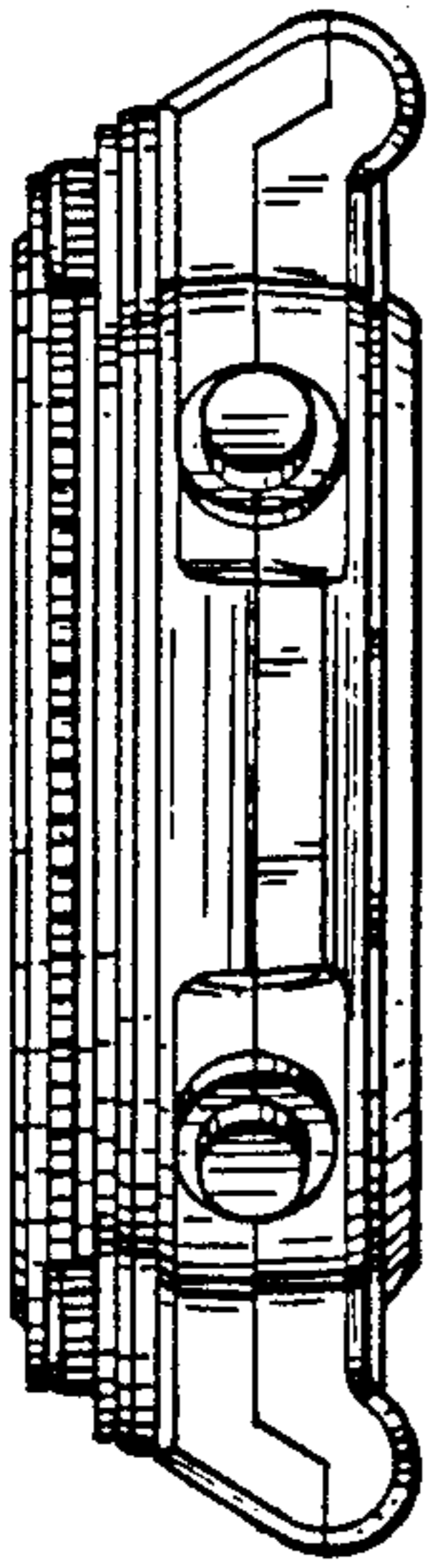


FIG. 5

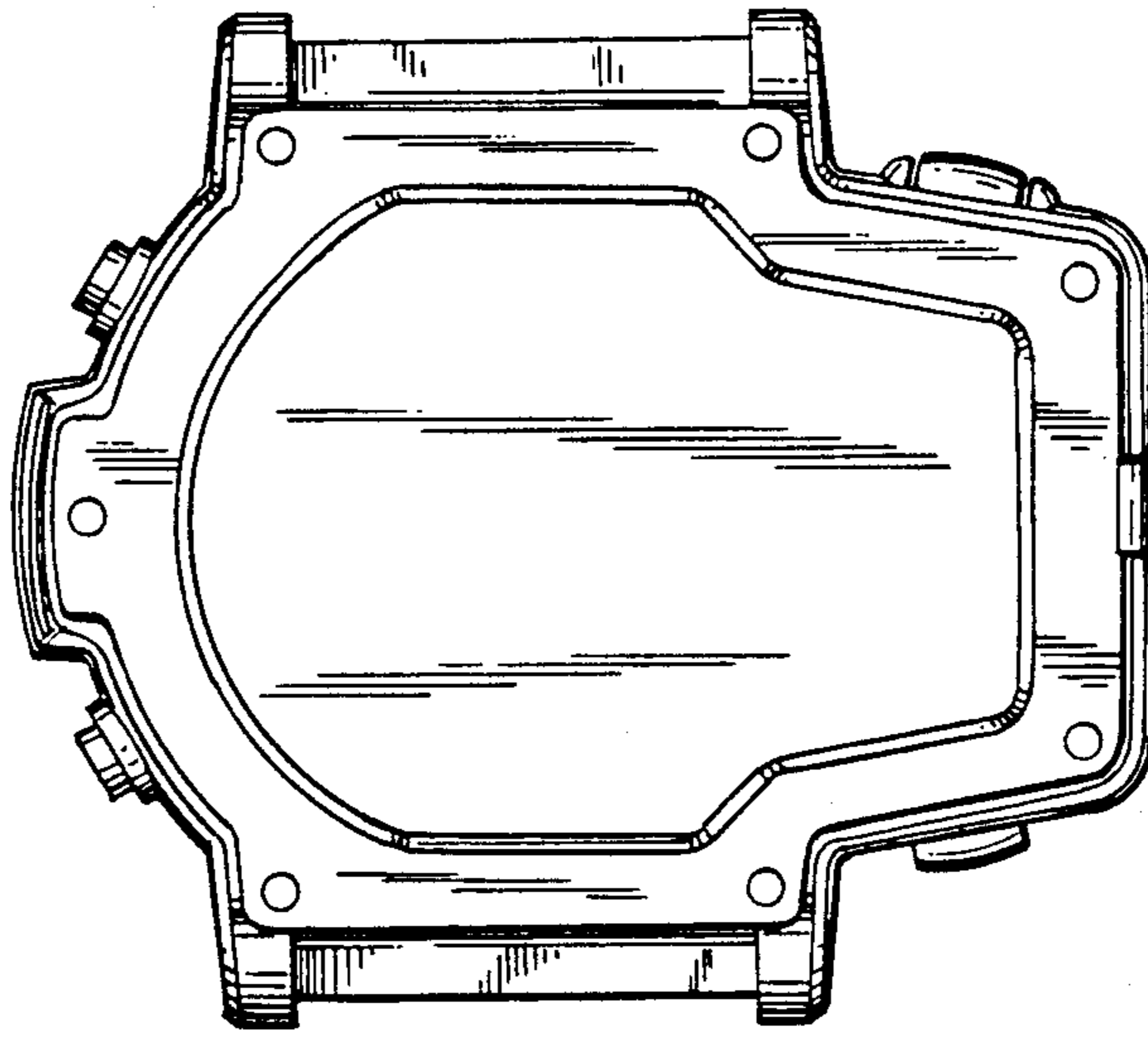


FIG. 7

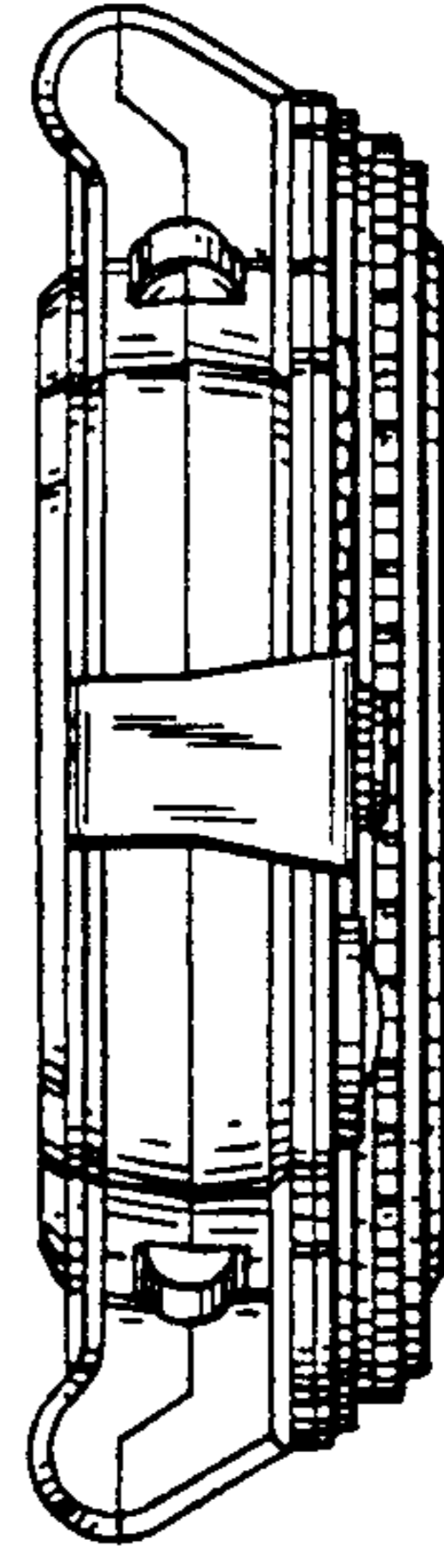


FIG. 6