

[54] **BASE CUP FOR BOTTLES**

[75] **Inventor: Stephen W. Cornell, Wheaton, Ill.**

[73] **Assignee: American National Can Company, Chicago, Ill.**

[**] **Term: 14 Years**

[21] **Appl. No.: 81,105**

[22] **Filed: Aug. 3, 1987**

[52] **U.S. Cl. D9/434**

[58] **Field of Search D9/352, 370, 434, 455; D11/143, 152; 220/1 R, 1 C, 66, 70**

[56] **References Cited**

U.S. PATENT DOCUMENTS

D. 230,953	3/1974	Edwards	D9/370
D. 267,233	12/1982	Aoki	D9/370
3,363,546	1/1968	Johnson	215/1 R
4,355,728	10/1982	Yoshino et al.	220/70
4,436,216	3/1984	Chang	215/1 C
4,573,597	3/1986	Adams et al.	215/1 C

OTHER PUBLICATIONS

Packaging Review, 11/1980, cover pic of Bottles.

Packaging, 9/1985, p. 15, pic of Coke Bottles.

Primary Examiner—B. J. Bullock

Assistant Examiner—Sandra Morris

Attorney, Agent, or Firm—Robert A. Stenzel; Daniel N. Christus

[57] **CLAIM**

The ornamental design for a base cup for bottles, as shown and described.

DESCRIPTION

FIG. 1 is a perspective view of a base cup for bottles, showing my new design, the broken lines showing a bottle for illustrative purposes only, the bottle forming no part of the claimed design;

FIG. 2 is a side elevational view thereof;

FIG. 3 is a top view thereof; and,

FIG. 4 is a bottom view thereof.

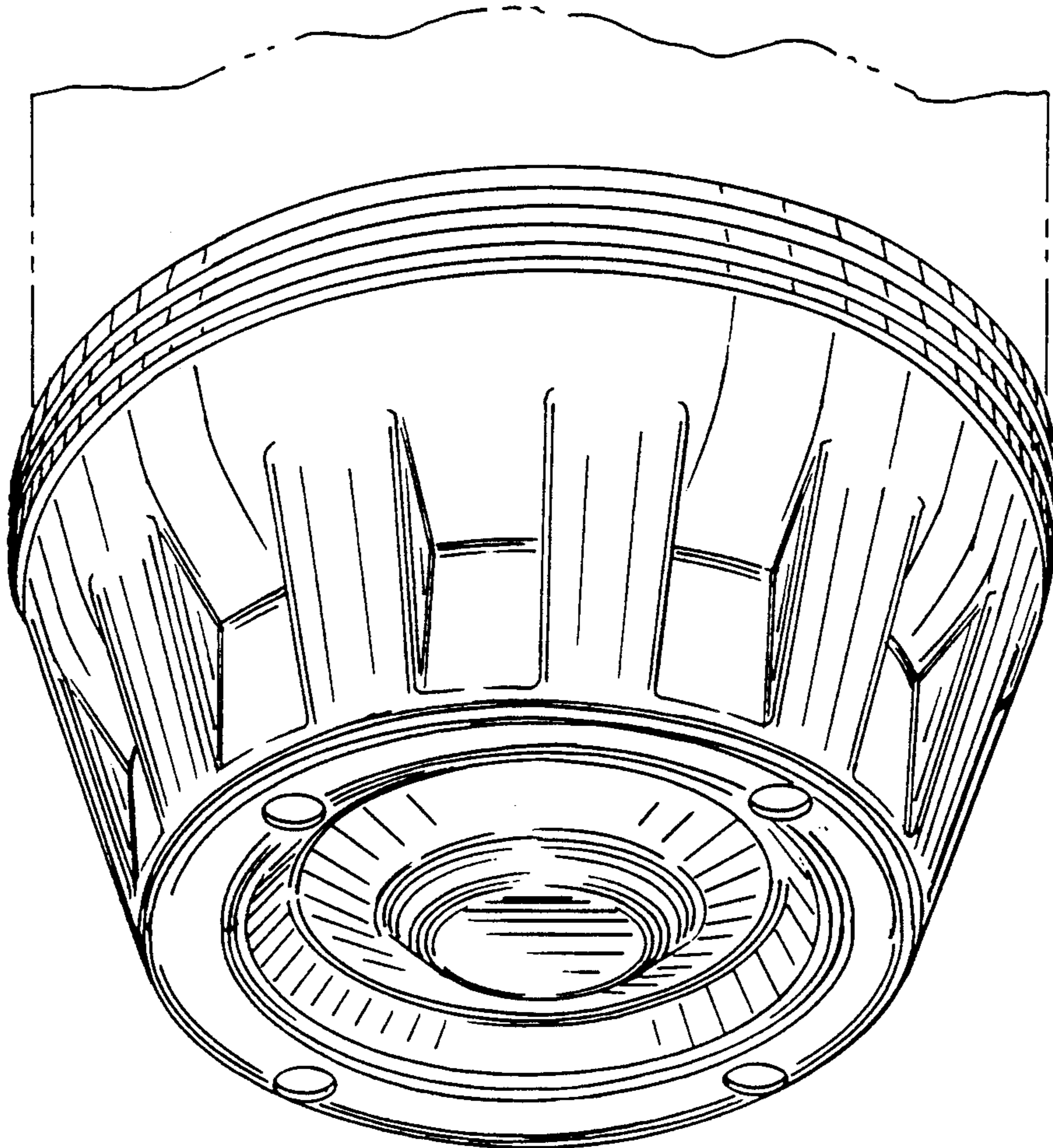


FIG. 1

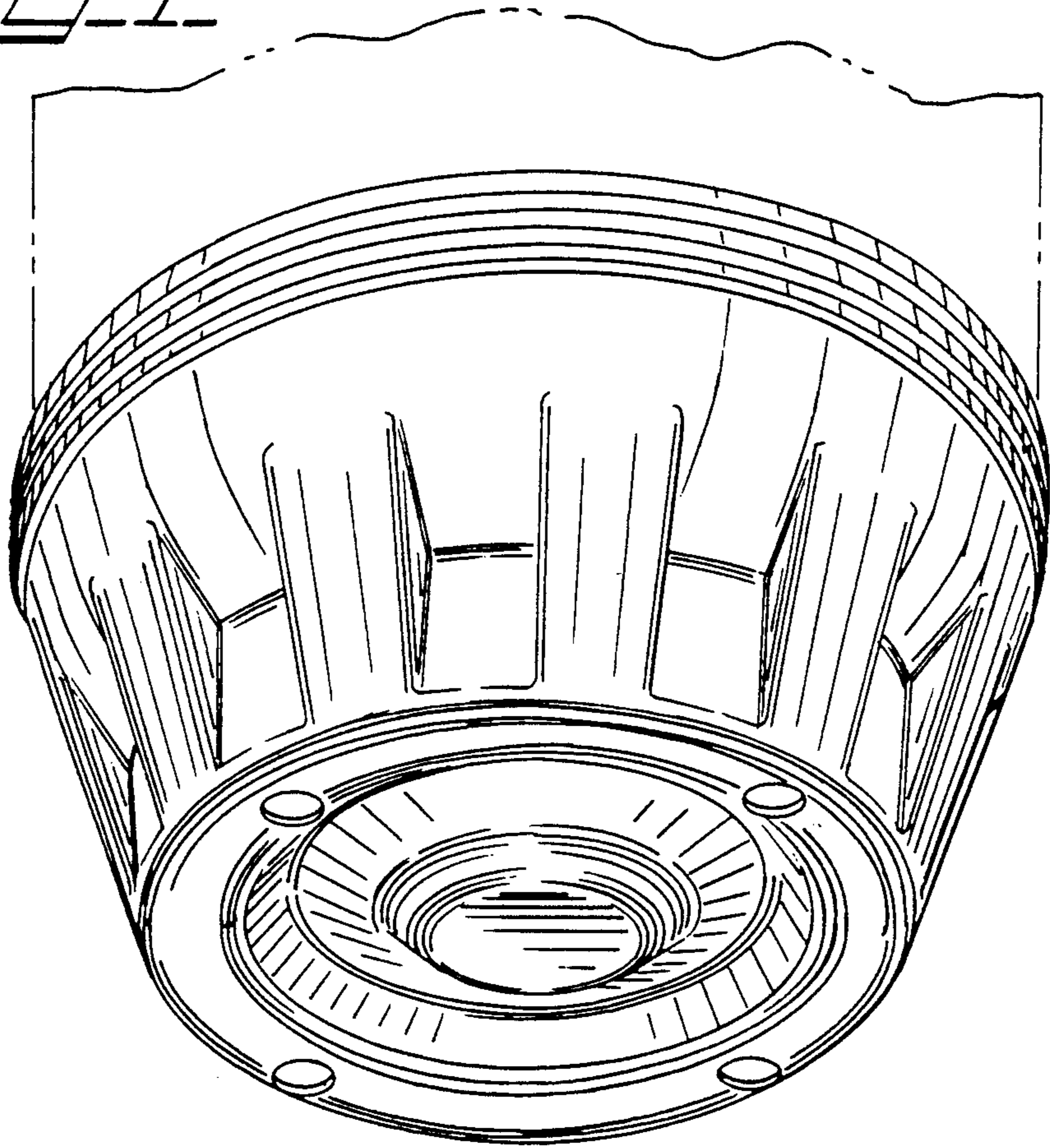


FIG. 2

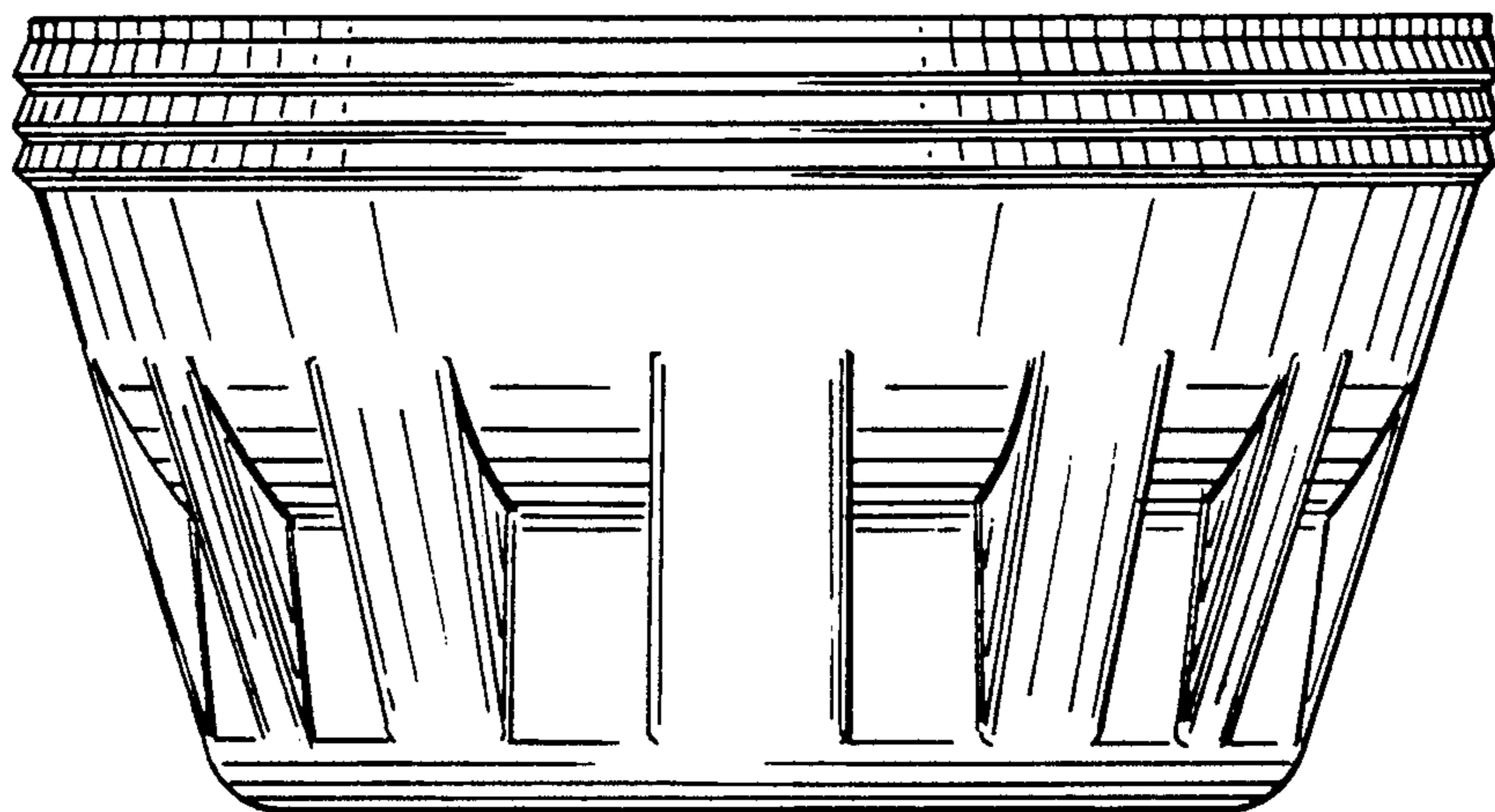


FIG. 3.

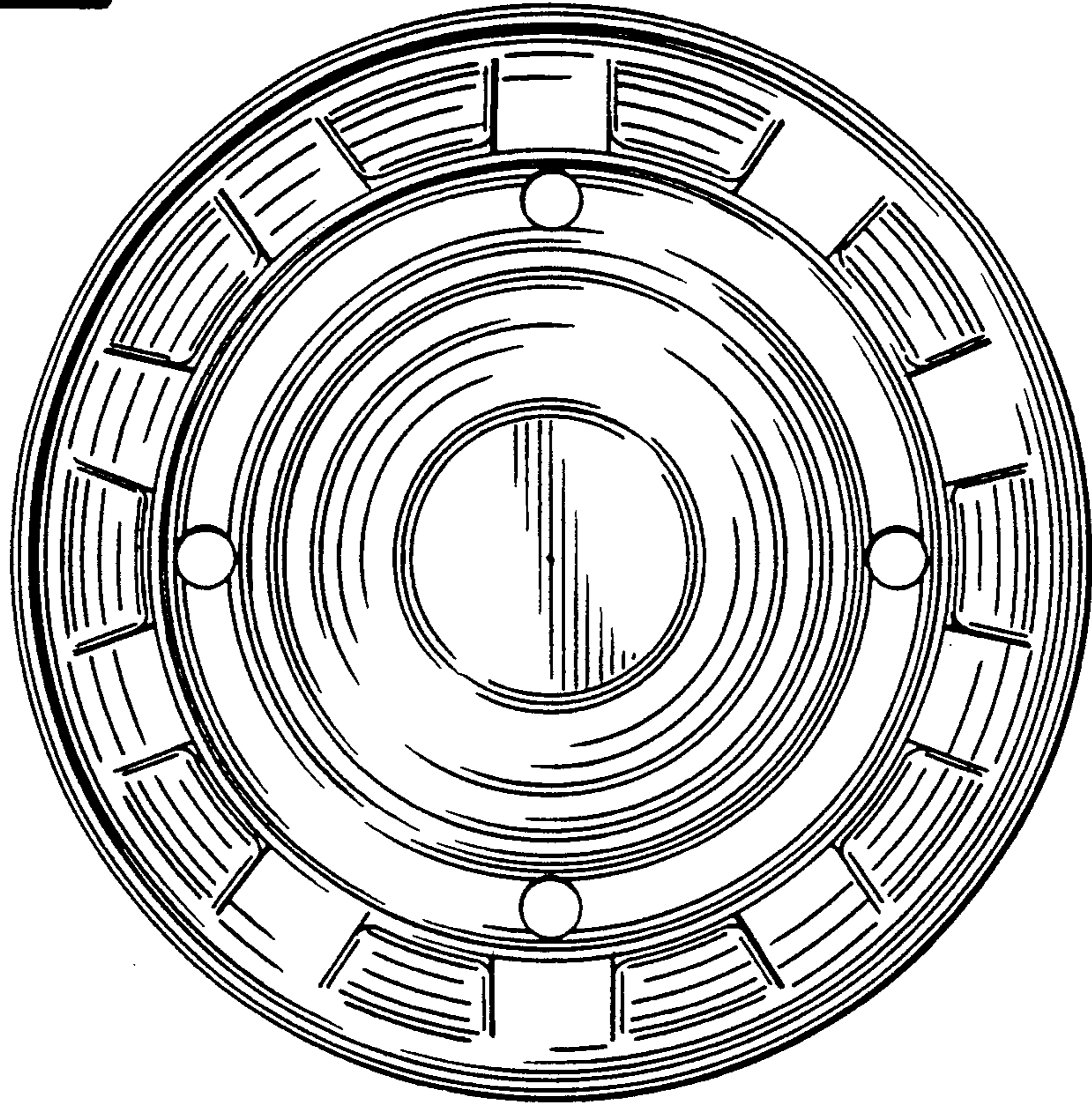


FIG. 4.

