

[54] **COMBINED PAINT CONTAINER AND LID THEREFOR**

[75] **Inventors: Richard St. Hart, Elgin; Jeffrey D. Bransky, Clarendon, both of Ill.**

[73] **Assignee: E. I. Du Pont de Nemours & Comp.**

[\*\*] **Term: 14 Years**

[21] **Appl. No.: 290,911**

[22] **Filed: Dec. 28, 1988**

[52] **U.S. Cl. .... D9/428; D9/403; D32/53.1**

[58] **Field of Search .... D7/601-603, D7/605, 607, 608, 612, 615; D9/349, 355-356, 389, 396, 398-399, 401-405, 407, 4101424-429, 434-436, 448-449, 452-454; D32/53, 53.1, 54; 220/72, 74, 83-84, 85 R, 86 R, 94 A, 200, 404, 904, DIG. 14; 239/119, 215, 302, 305, 318, DIG. 14**

[56] **References Cited**

**U.S. PATENT DOCUMENTS**

D. 221,420	8/1971	Davis .....	D9/453
D. 221,625	8/1971	Kinney et al. ....	D9/428
D. 240,114	6/1976	Martinelli .....	D9/425 X
D. 248,216	6/1978	Allen et al. ....	D9/352

D. 263,565	3/1982	Woinarski .....	D9/399
D. 269,315	6/1983	Conti .....	D9/404 X
D. 280,600	9/1985	Earl .....	D9/352
3,136,486	6/1964	Docken .....	239/346
3,227,305	1/1966	Enssle .....	220/63
3,593,921	7/1971	Boltic .....	239/318
3,714,967	2/1973	Zupan et al. ....	137/588
4,151,929	5/1979	Sapien .....	220/404
4,405,088	9/1983	Gray .....	239/302
4,431,326	2/1984	Braithwaite et al. ....	401/188 R
4,457,642	7/1984	Braithwaite et al. ....	401/188 R
4,537,334	8/1985	Spengler et al. ....	222/401
4,552,477	11/1985	Braithwaite et al. ....	401/188 R

*Primary Examiner*—Wallace R. Burke

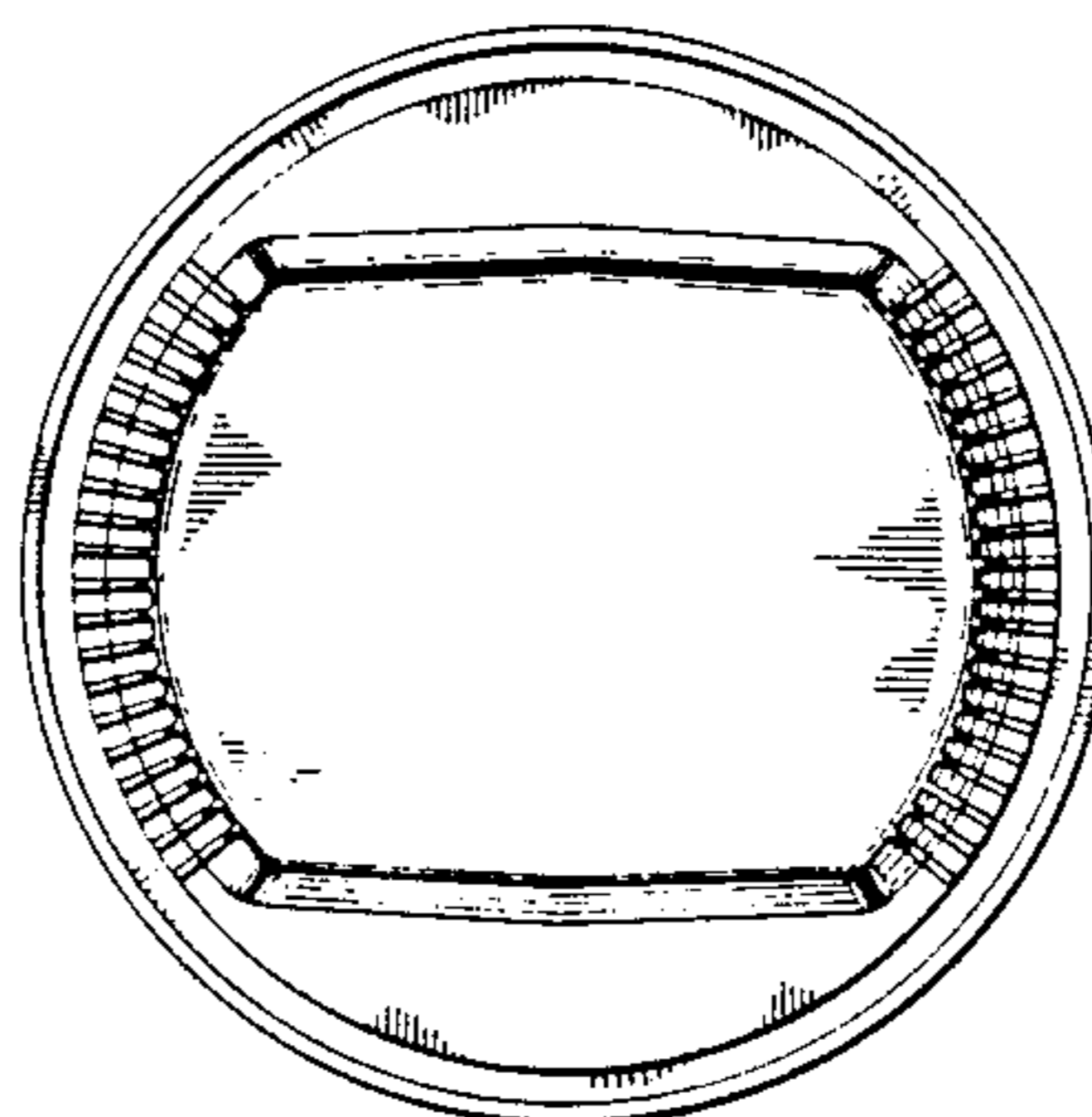
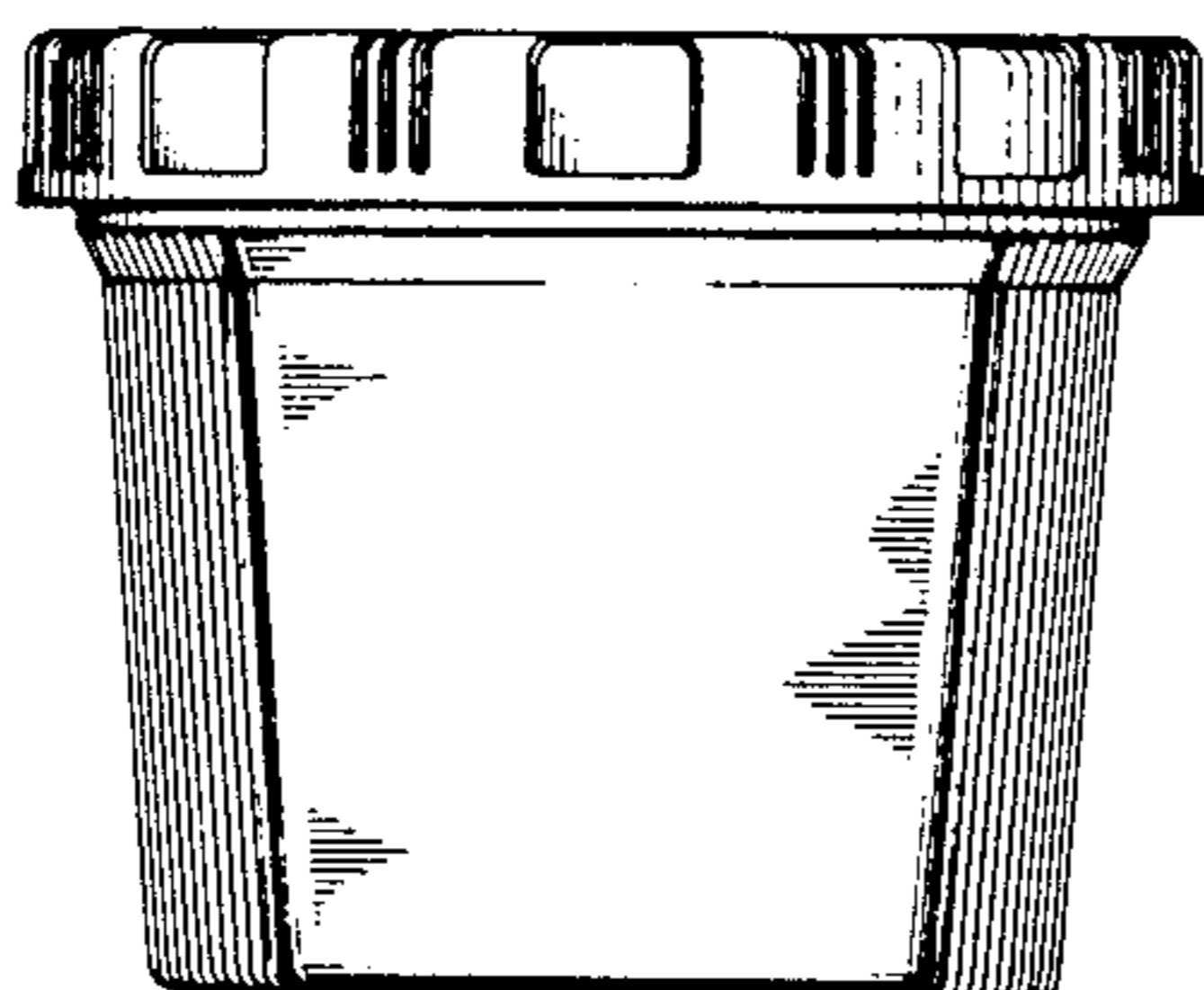
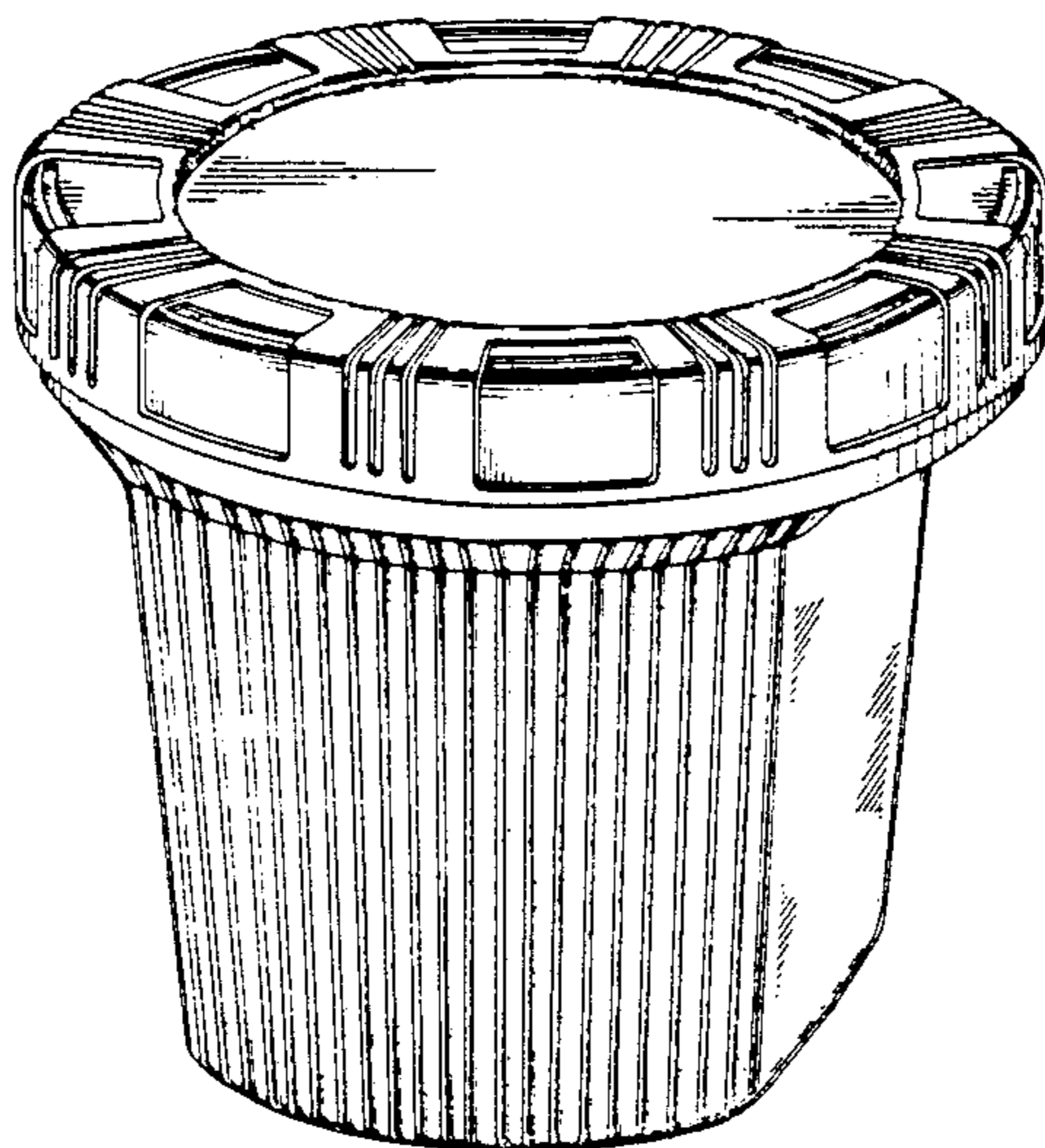
*Assistant Examiner*—Lavone D. Tabor

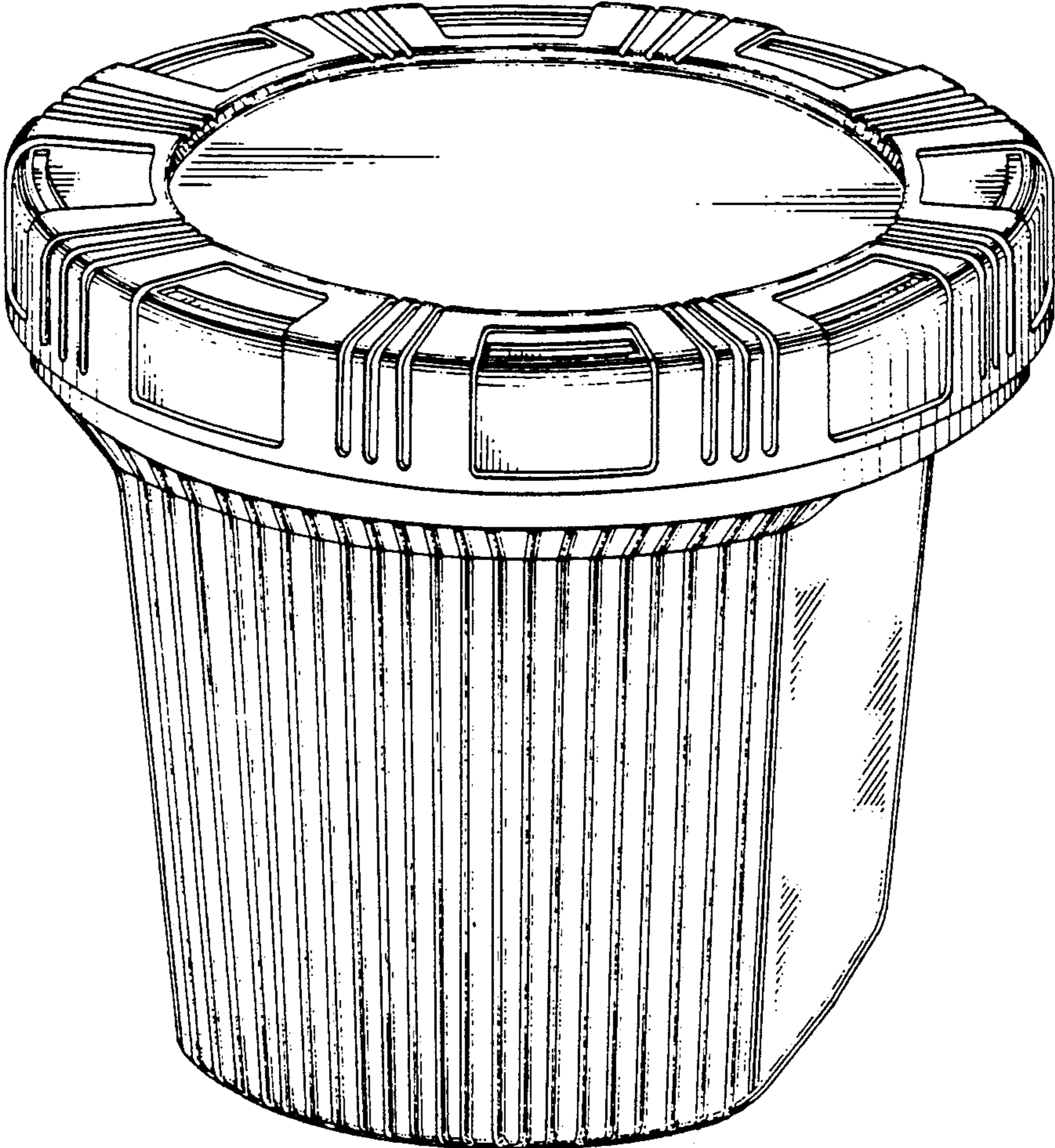
[57] **CLAIM**

The ornamental design for a combined paint container and lid therefor, as shown and described.

**DESCRIPTION**

FIG. 1 is a perspective view of a combined paint container and lid therefor showing our new design; FIG. 2 is a top plan view thereof; FIG. 3 is a side elevational view, the opposite side being a mirror image thereof; FIG. 4 is a front elevational view, the rear being a mirror image thereof; and FIG. 5 is a bottom plan view thereof.





*FIG. 1*



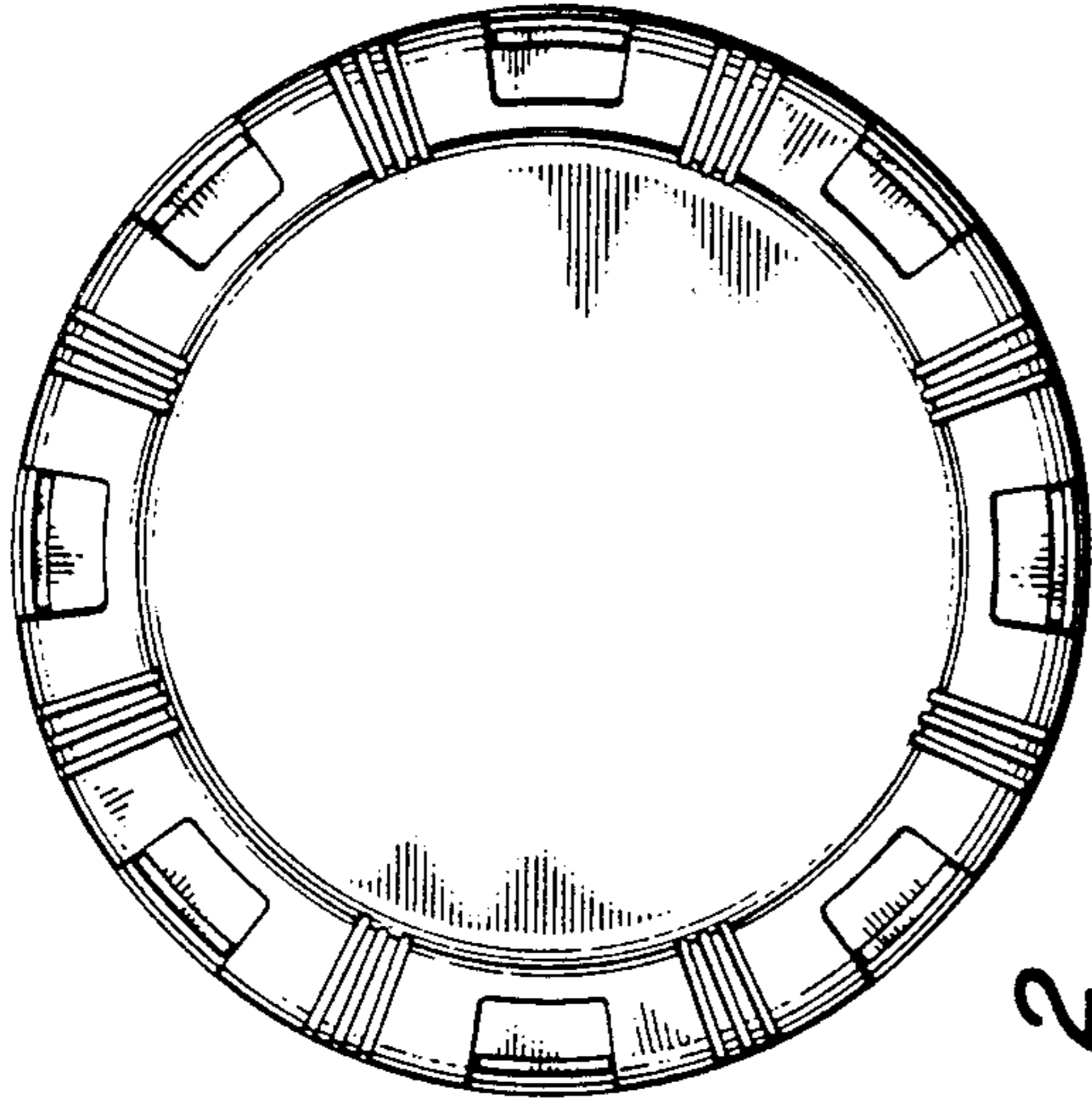


FIG. 2

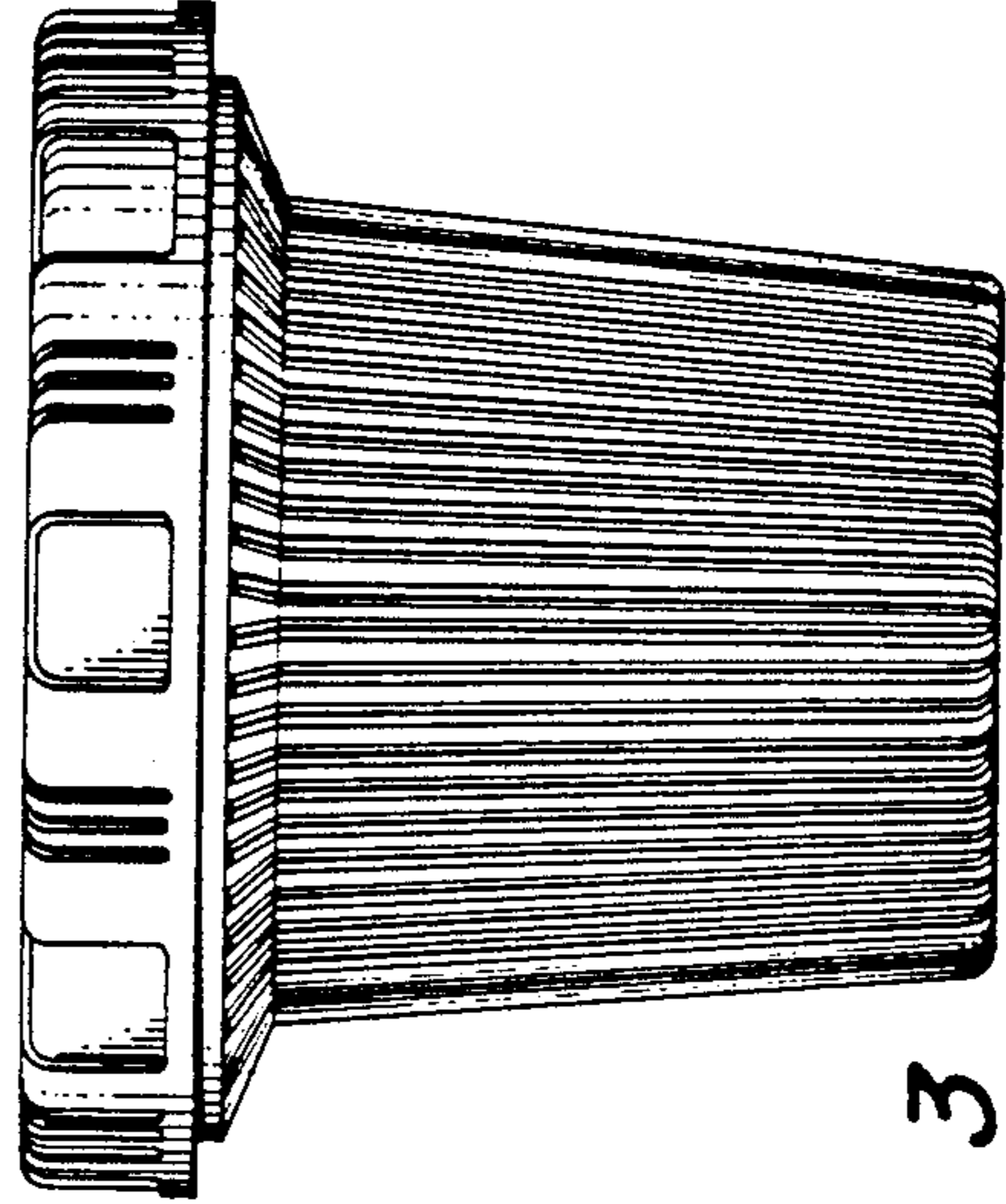


FIG. 3

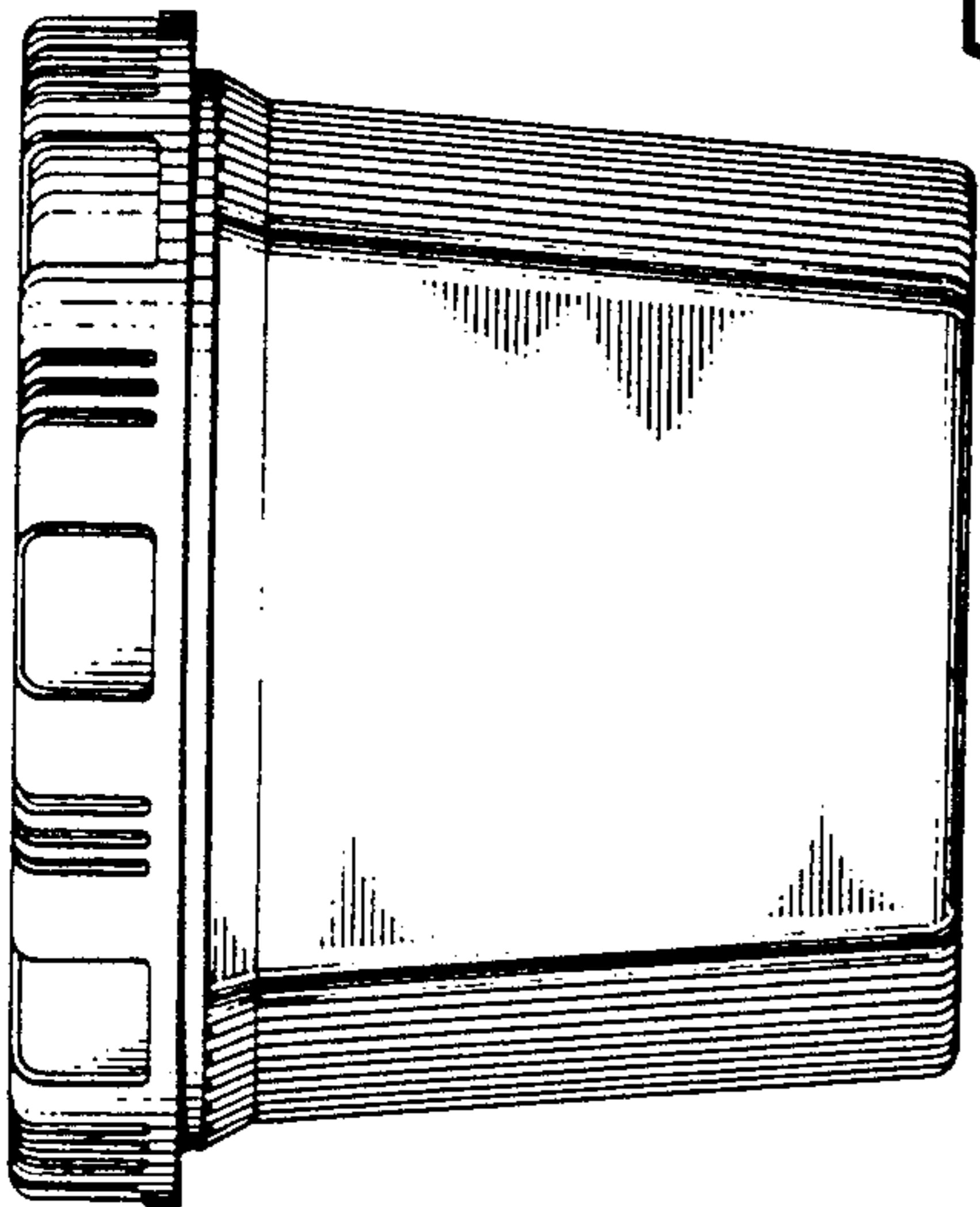


FIG. 4

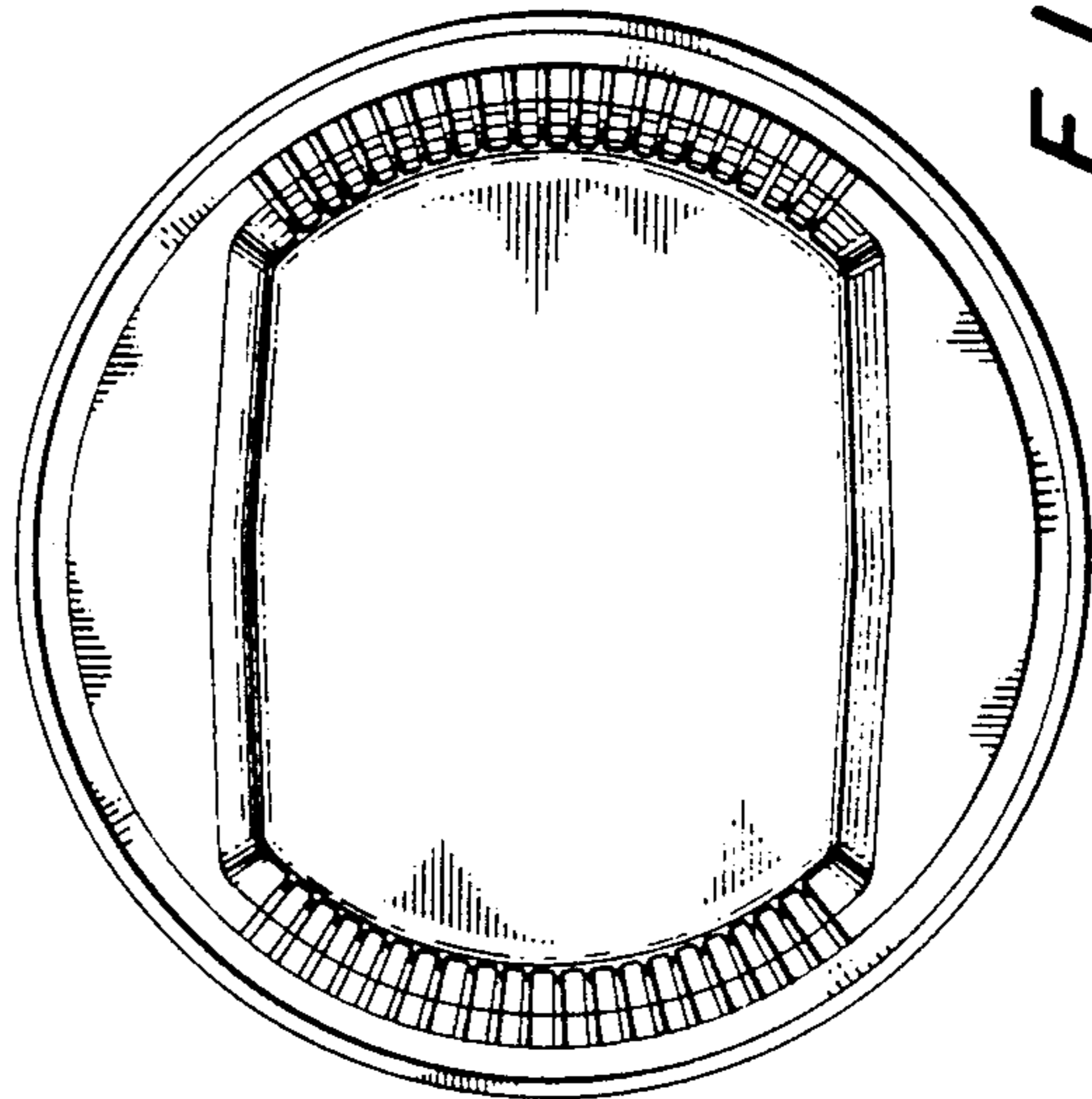


FIG. 5