

# United States Patent [19]

Klemic, Jr.

[11] Patent Number: **Des. 315,495**

[45] Date of Patent: **\*\* Mar. 19, 1991**

[54] **ANCHOR FOR SETTING BOLTS INTO CONCRETE**

[76] Inventor: **Frank Klemic, Jr.**, 11225 Hannum Ave., Culver City, Calif. 90230

[\*\*] Term: **14 Years**

[21] Appl. No.: **159,009**

[22] Filed: **Feb. 22, 1988**

[52] U.S. Cl. .... **D8/384; D8/382**

[58] Field of Search ..... **D8/382, 384, 400, 402, D8/499; 52/127, 704**

[56] **References Cited**

**U.S. PATENT DOCUMENTS**

D. 285,050 8/1986 Looney ..... D8/402  
4,162,596 7/1979 Damman ..... 52/704  
4,198,798 4/1980 Haydock ..... 52/704

4,218,858 8/1980 Legler ..... 52/704  
4,776,143 10/1988 Pointner ..... 52/704

*Primary Examiner*—B. J. Bullock  
*Assistant Examiner*—Sandra Morris  
*Attorney, Agent, or Firm*—Cislo & Thomas

[57] **CLAIM**

The ornamental design for an anchor for setting bolts into concrete, as shown and described.

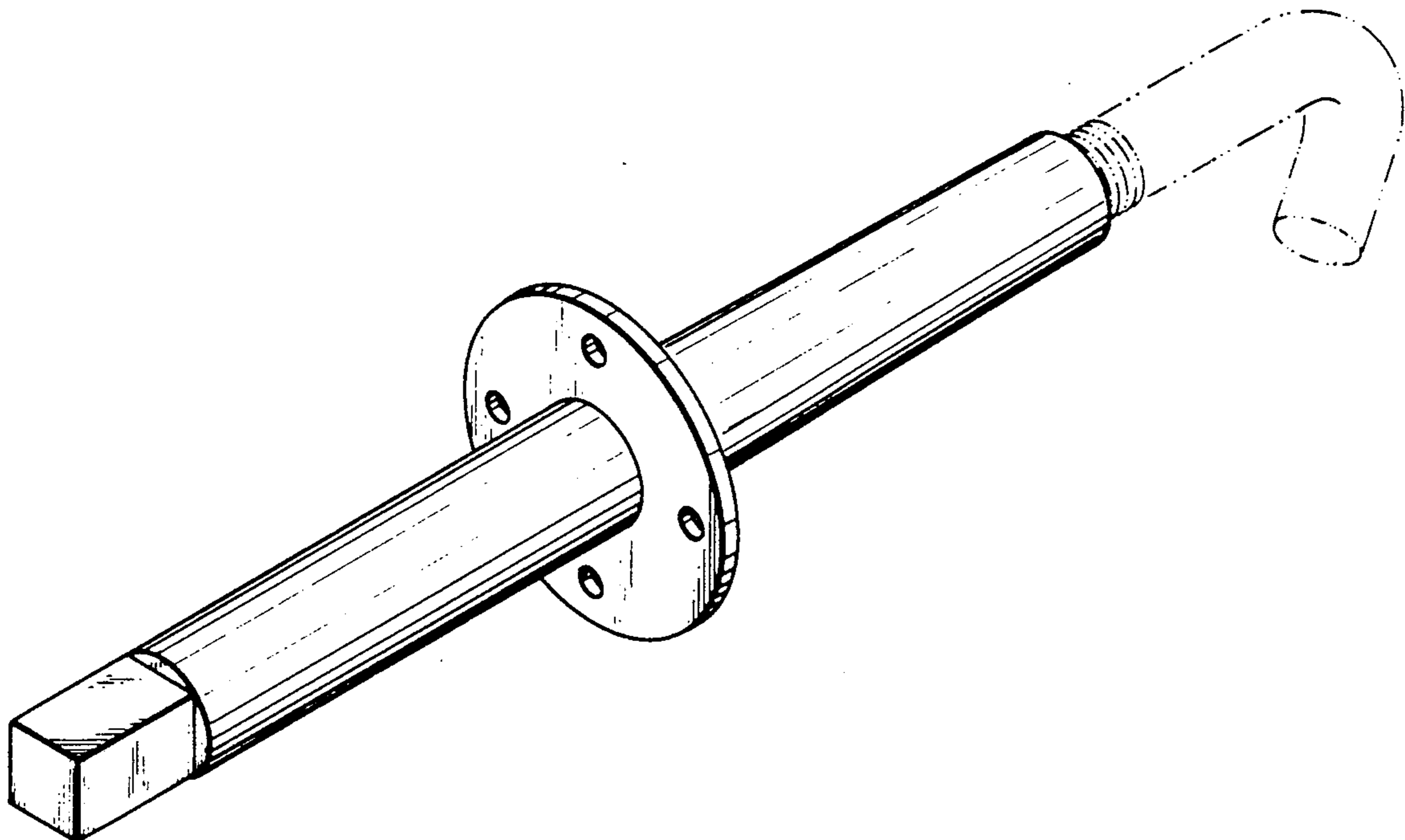
**DESCRIPTION**

FIG. 1 is a perspective view of an anchor for setting bolts into concrete, showing my new design, the anchor bolt shown in broken lines forms no part of the claimed design;

FIG. 2 is a right side elevational view thereof, the left side being a mirror image;

FIG. 3 is a front elevational view thereof;

FIG. 4 is a rear elevational view thereof.



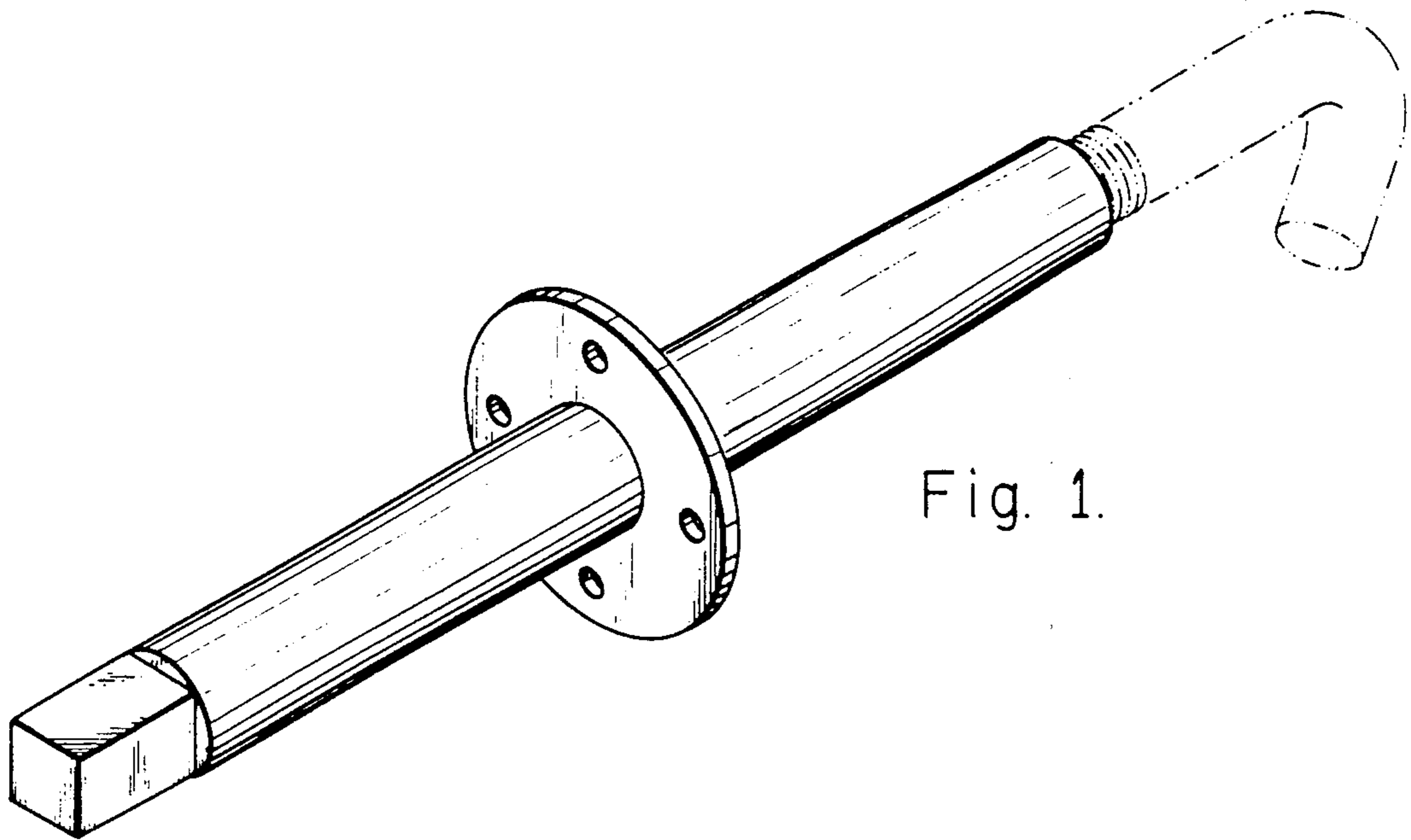


Fig. 1.

Fig. 2.

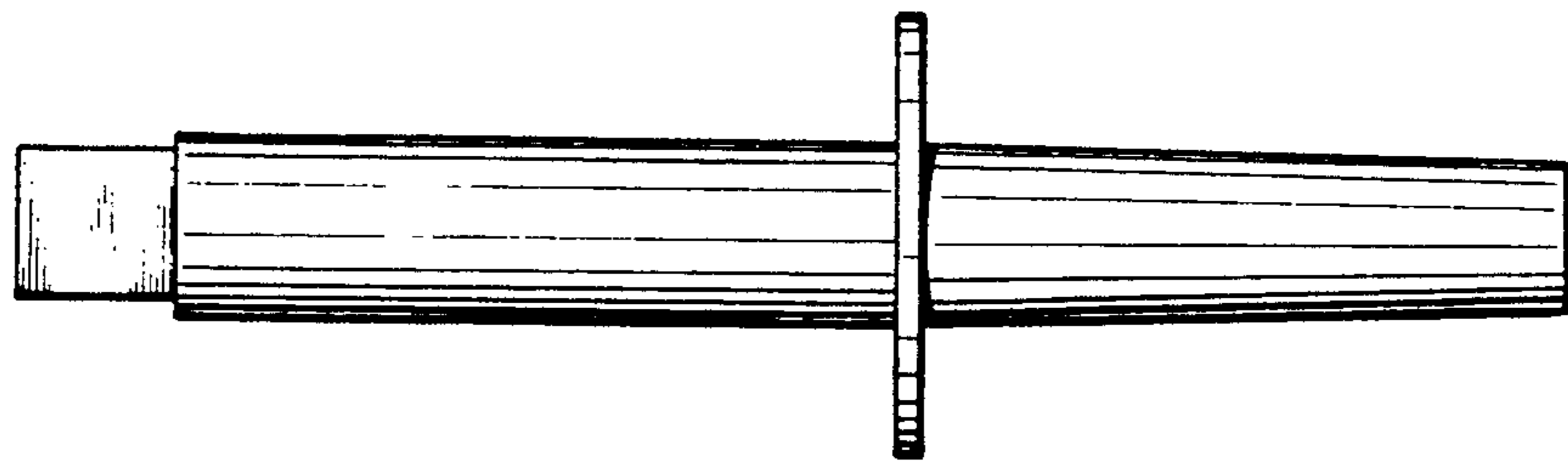


Fig. 3.

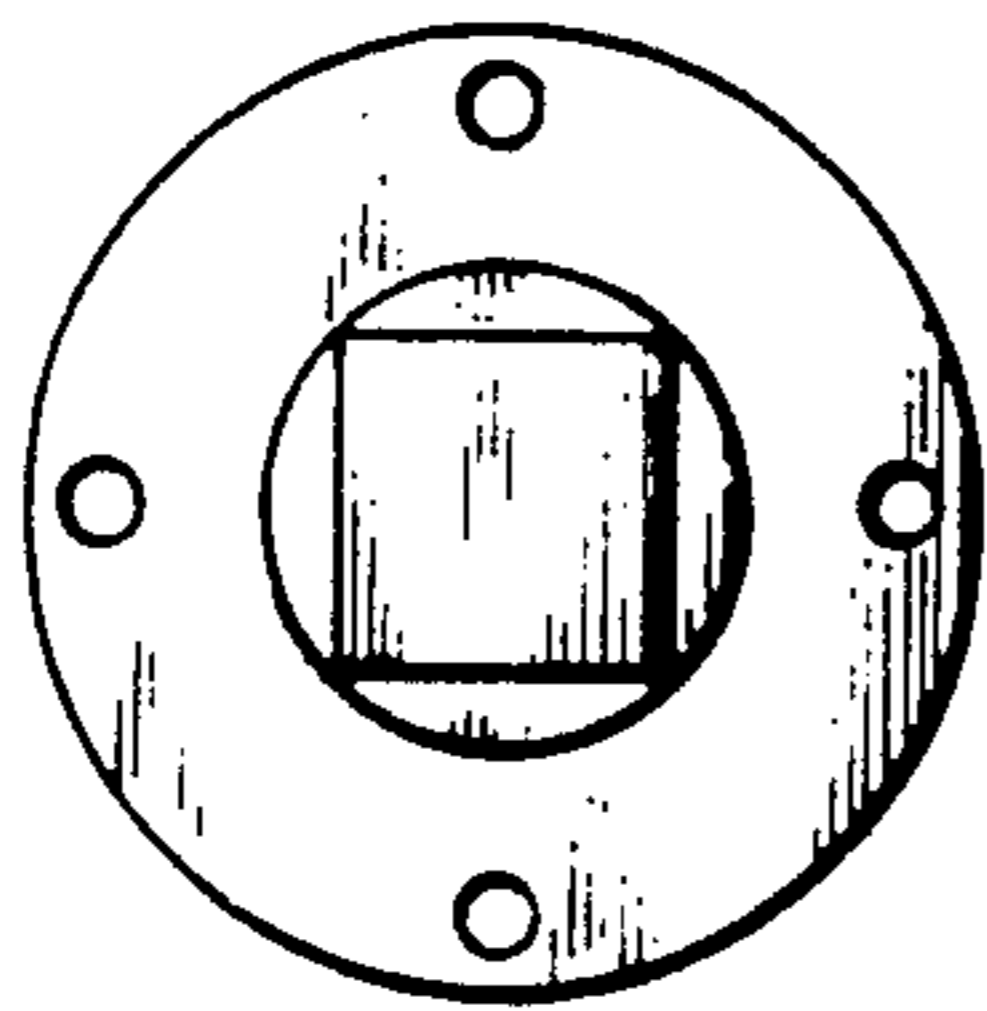


Fig. 4.

