

- [54] PAIR OF BRACKETS FOR HOLDING A TRASH BAG OR SIMILAR ARTICLE
- [76] Inventor: J. Lawrence Latham, 441 Somerset La., Marietta, Ga. 30067
- [**] Term: 14 Years
- [21] Appl. No.: 328,699
- [22] Filed: Mar. 27, 1989
- [52] U.S. Cl. D8/373; D8/380; D34/6
- [58] Field of Search D8/373, 381, 380; D34/5, 6; 248/100, 99, 250, 249; 224/42.46 R

[56] **References Cited**

U.S. PATENT DOCUMENTS

D. 23,610	8/1894	Russell	D8/381
D. 23,731	10/1894	Burgess	D8/381
D. 24,909	11/1895	Corscaden	D8/381
D. 25,785	7/1896	Corscaden	D8/381
D. 251,411	3/1979	Elinore	D8/381
D. 284,608	7/1986	Hampton	D34/6 X
D. 293,867	1/1988	Fayerman et al.	D8/381 X
4,838,504	6/1989	Bittenbinder	248/100
4,840,335	6/1989	Stroh et al.	D34/5 X
4,858,862	8/1989	Prader	248/99

Primary Examiner—Horace B. Fay, Jr.
 Attorney, Agent, or Firm—Thomas, Kerr & Kayden

[57] **CLAIM**

The ornamental design for a pair of brackets for holding a trash bag or similar article, as shown and described.

DESCRIPTION

FIG. 1 is a front, top and right side perspective view of a pair of brackets for holding a trash bag or similar article showing my new design;
 FIG. 2 is a similar perspective view of a single bracket;
 FIGS. 3 and 4 are respectively front and rear elevational views of a bracket;
 FIGS. 5 and 6 are respectively top and bottom plan views thereof;
 FIGS. 7 and 8 are respectively left and right side elevational views of the bracket; and
 FIG. 9 is a front, top and right perspective view of a second embodiment of the bracket shown in FIG. 2, the sole difference from the first embodiment being a generally spherical holding element mounted to the front of the holder bracket.
 The broken line showing of a trash bag and a vertical support member for the brackets is for illustrative purposes only and forms no part of the claimed design.

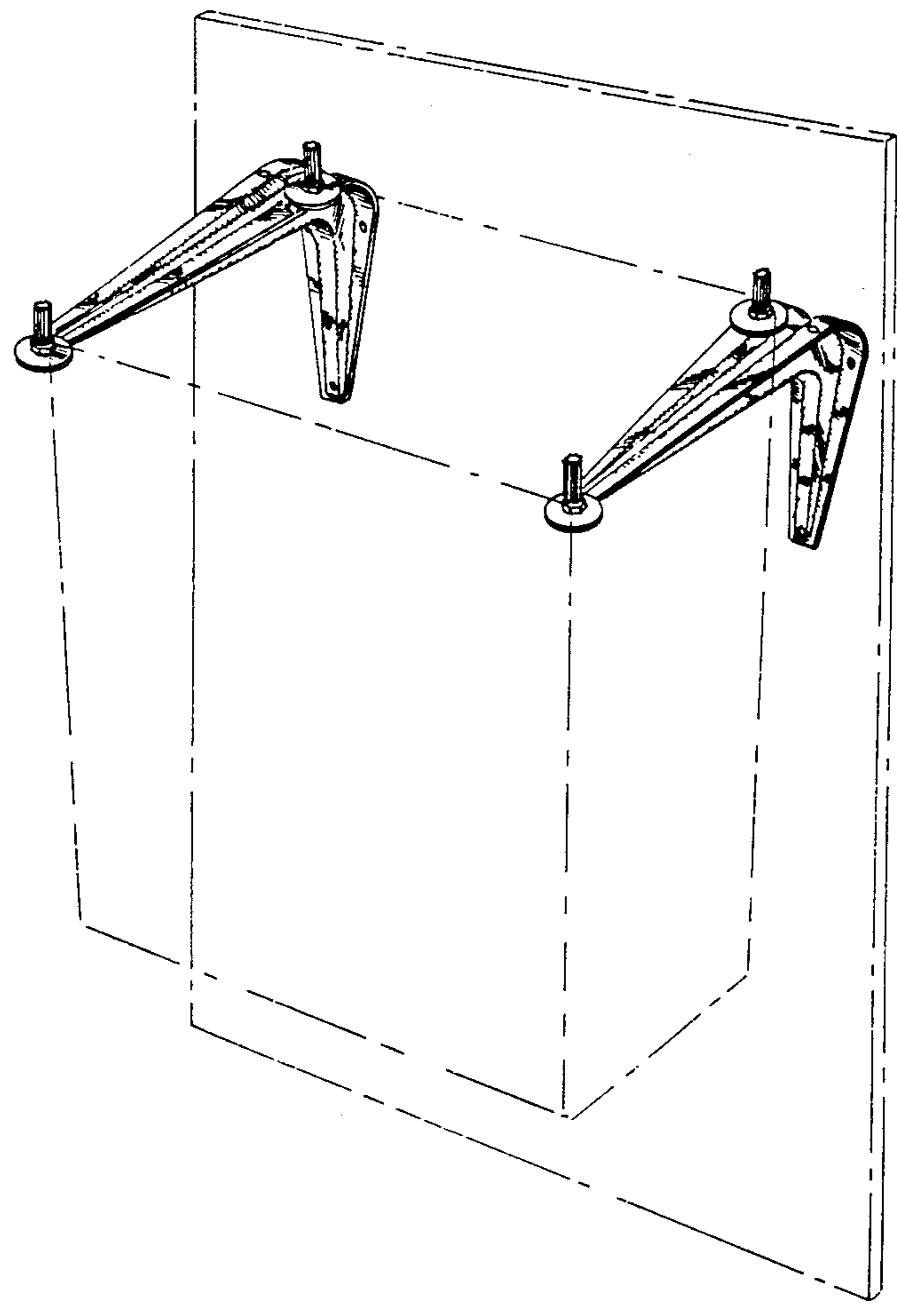


Fig 1

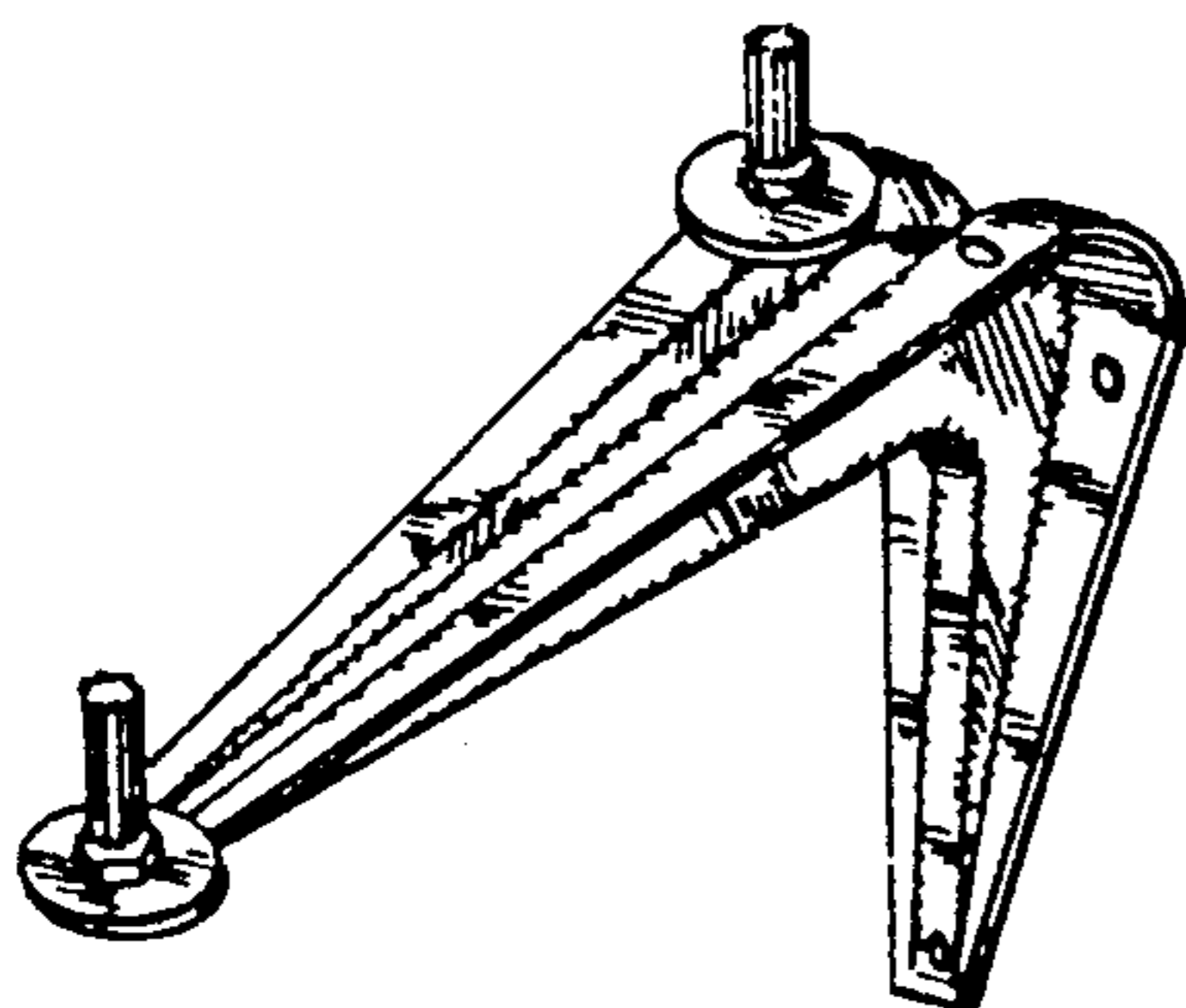
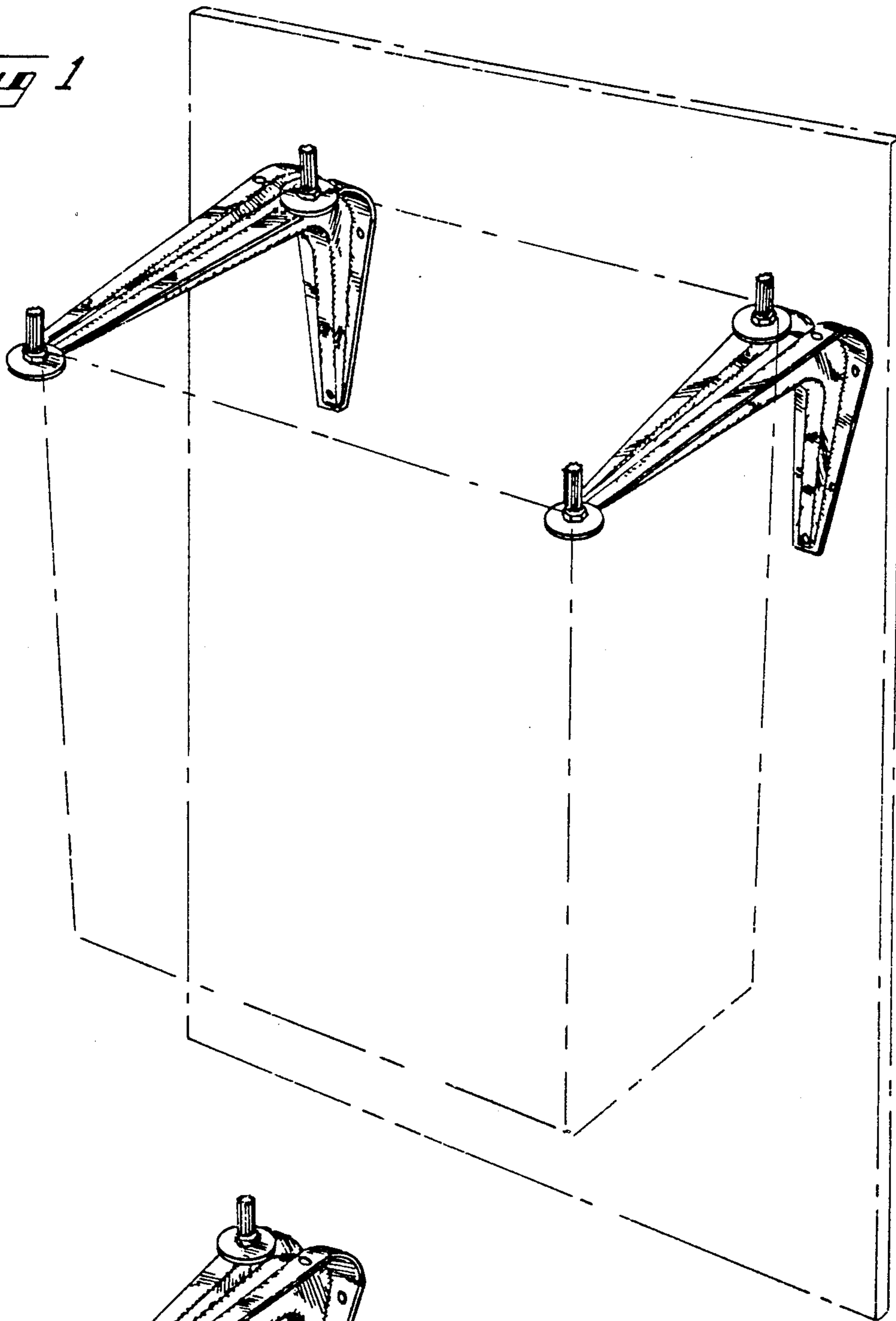


Fig 2

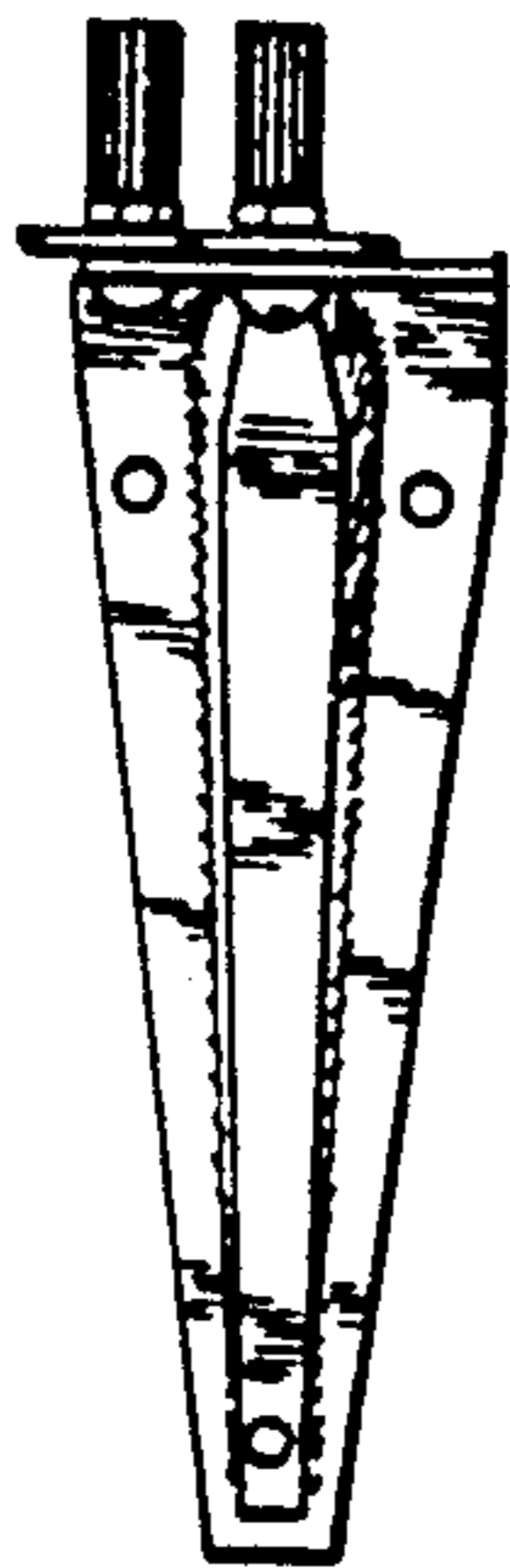


Fig 3

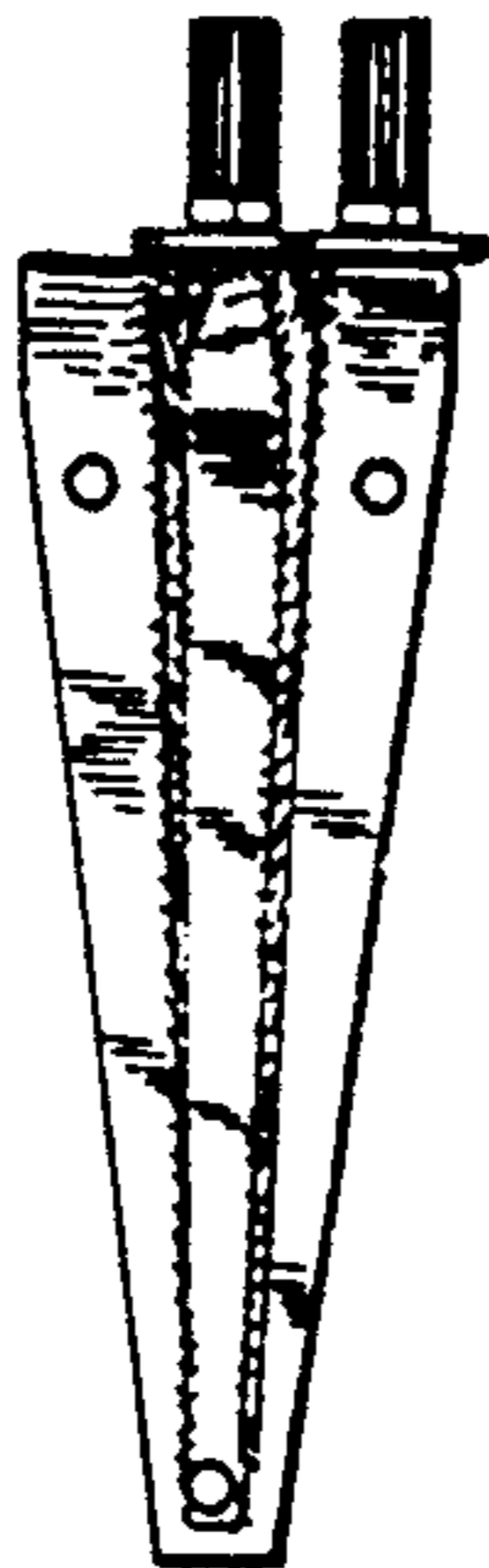


Fig 4

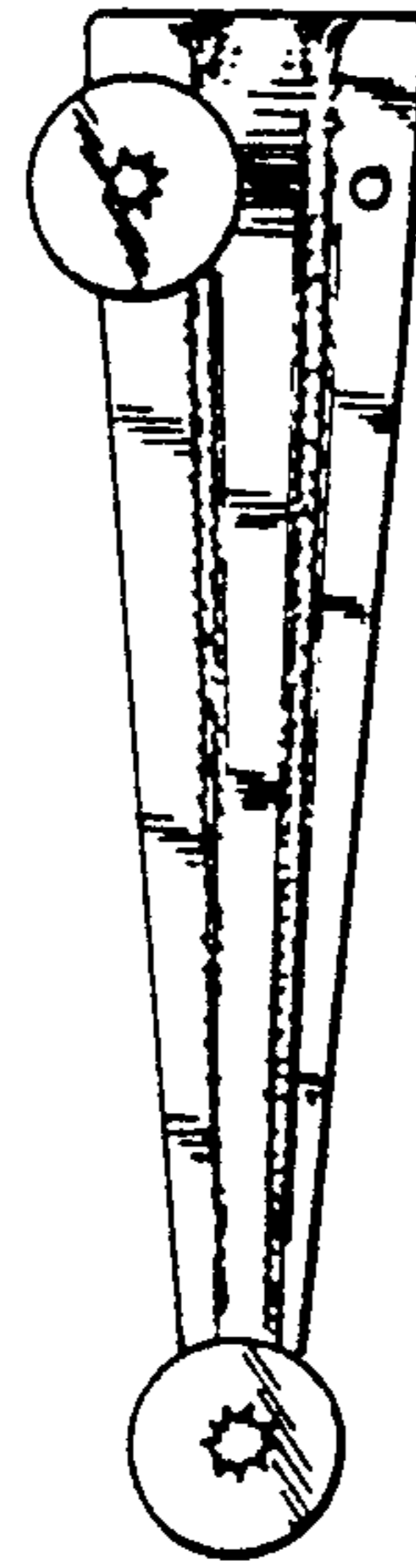


Fig 5

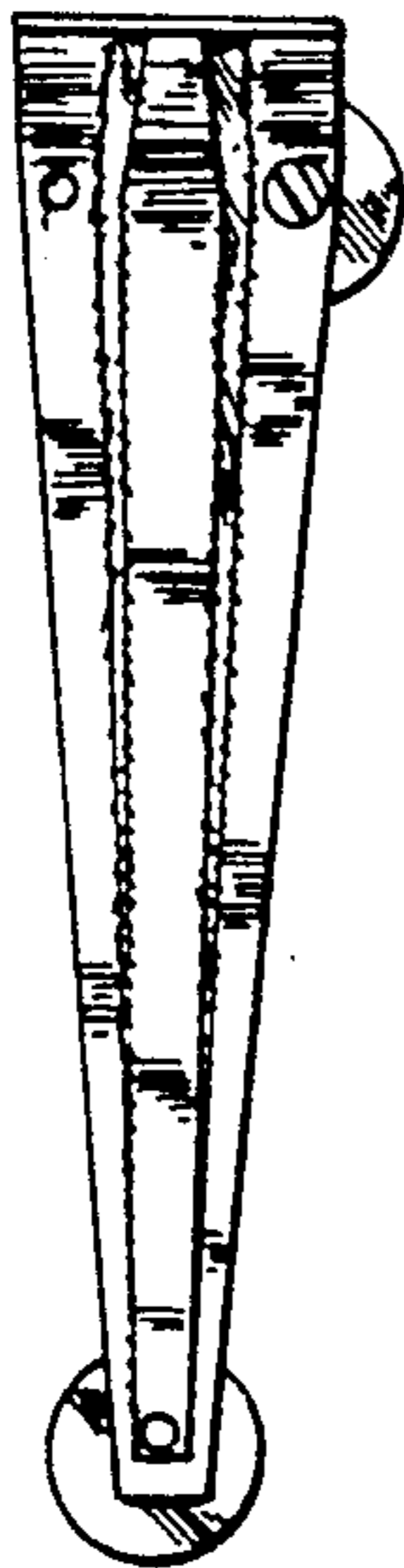


Fig 6

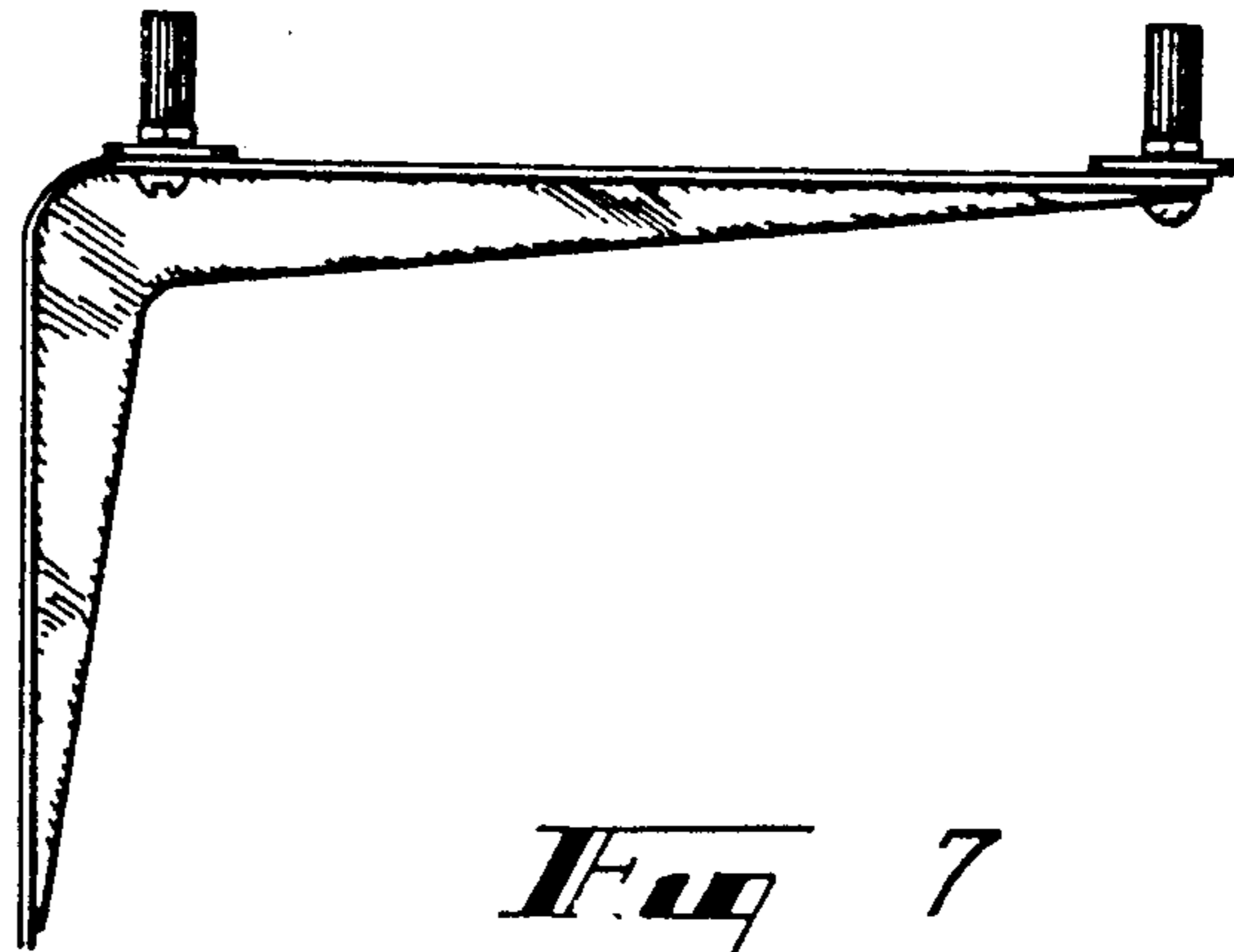


Fig 7

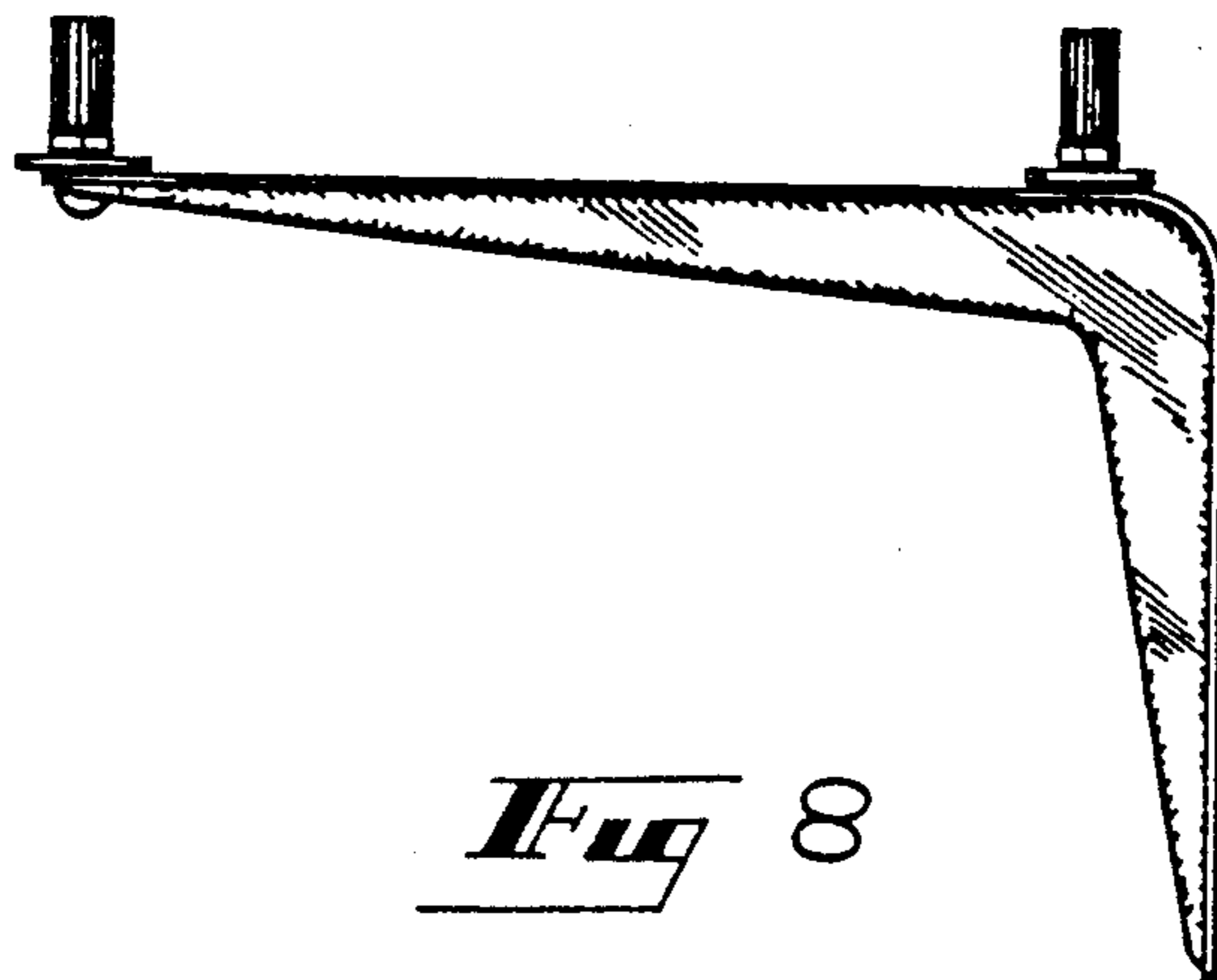


Fig 8

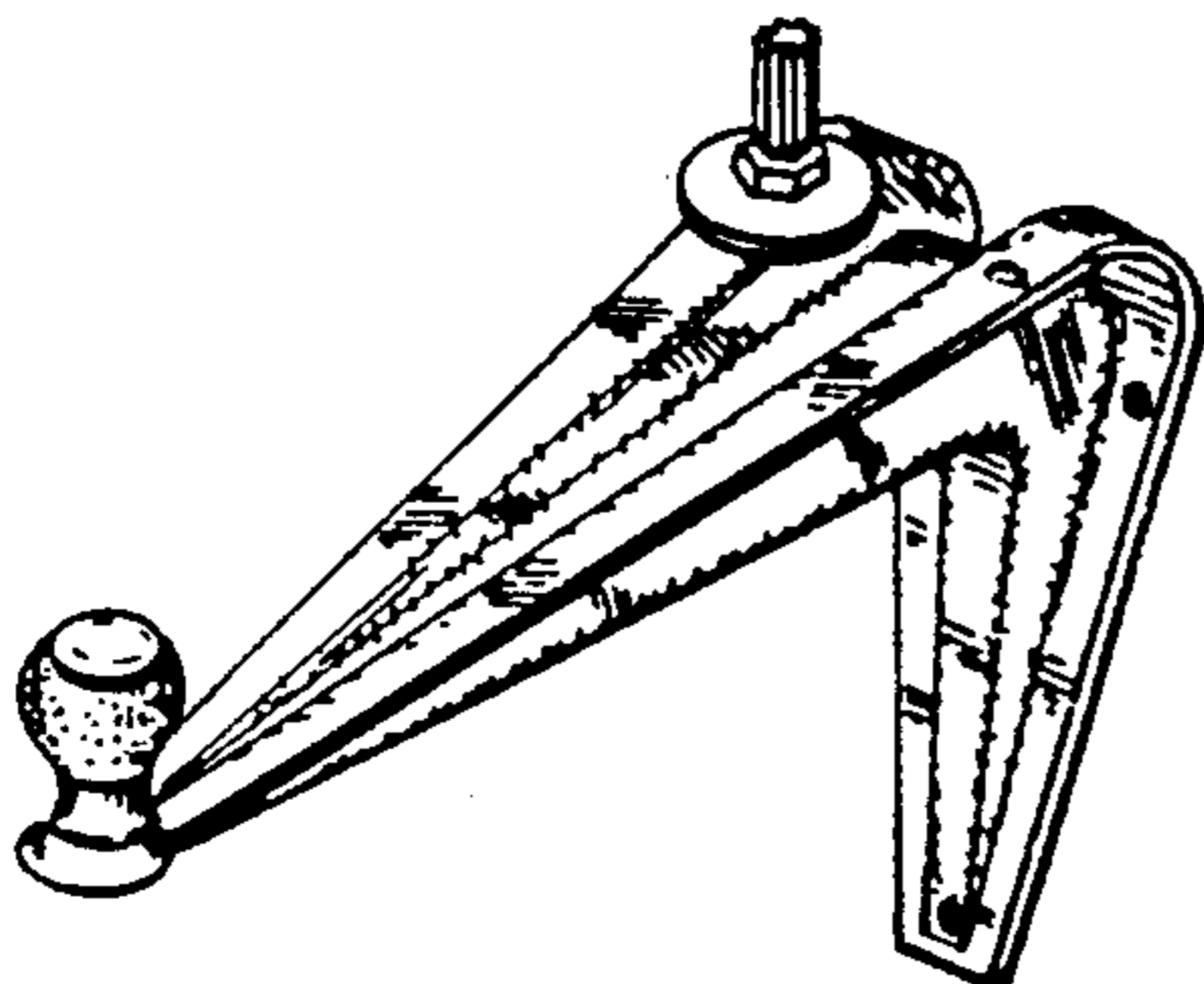


Fig 9