

United States Patent [19]

Prihoda

[11] Patent Number: Des. 315,492

[45] Date of Patent: ** Mar. 19, 1991

[54] COMBINED THREAD REGULATING SPOOL ATTACHMENT AND SPOOL OF THREAD THEREFOR

[76] Inventor: Leo B. Prihoda, 2545 Pheasant Dr., San Diego, Calif. 92123

[**] Term: 14 Years

[21] Appl. No.: 152,063

[22] Filed: Feb. 4, 1988

[52] U.S. Cl. D8/358

[58] Field of Search D8/358, 360.1, 359, D8/356; 242/77.3, 118.7, 118.8, 84.2; D3/24

[56] References Cited

U.S. PATENT DOCUMENTS

D. 46,629	11/1914	Daniels	D8/356
D. 200,329	2/1965	Busch	D8/358
562,699	2/1968	Nettles	242/118.7
4,387,863	6/1983	Edmonston et al.	242/118.7
4,746,079	5/1988	Newell	242/118.7

Primary Examiner—Wallace R. Burke

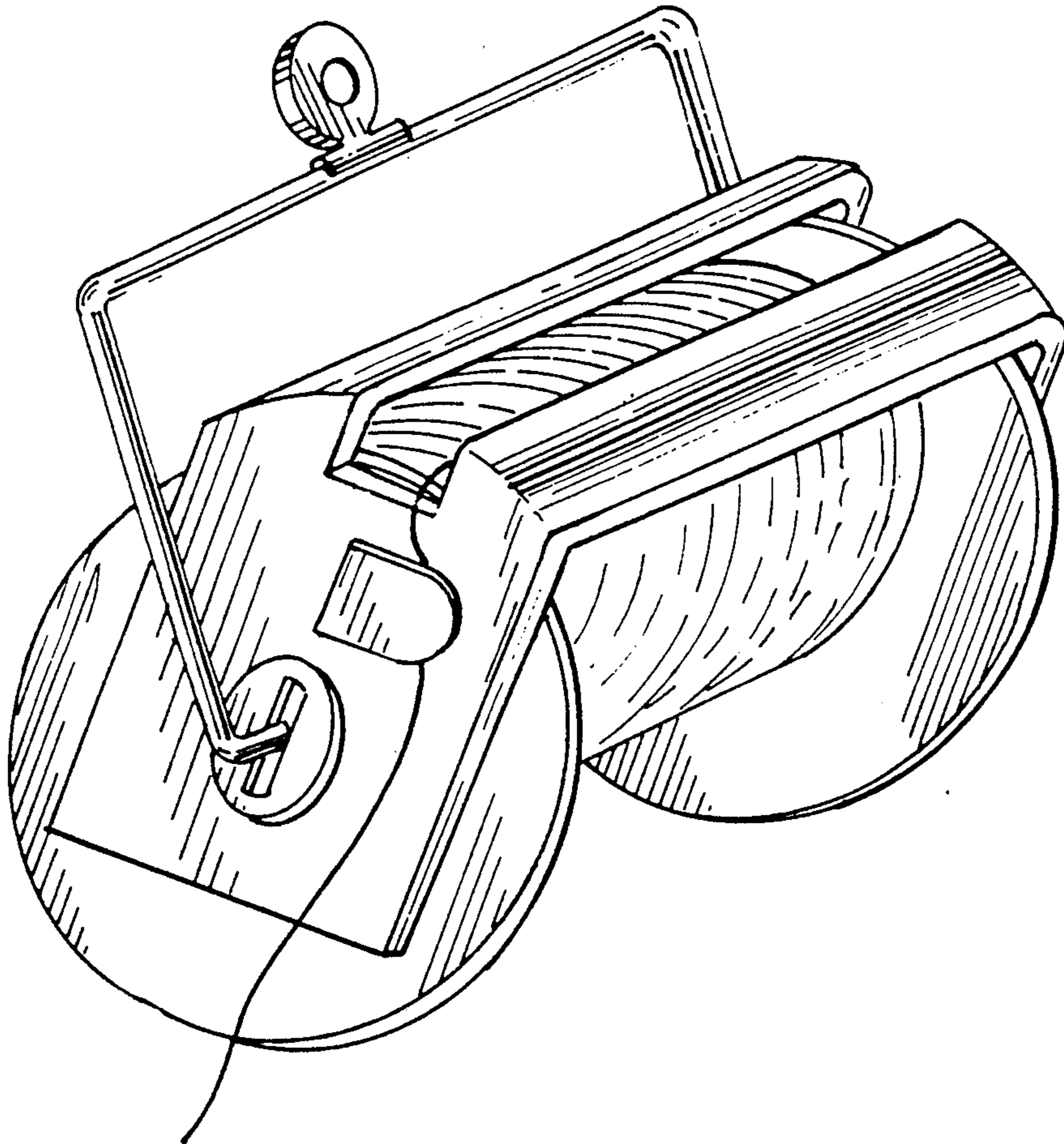
Assistant Examiner—Marcus Jackson

[57] CLAIM

The ornamental design for a combined thread regulating spool attachment and spool of thread therefor, as shown.

DESCRIPTION

The single FIGURE is a perspective view of a combined thread regulating spool attachment and spool of thread therefor.



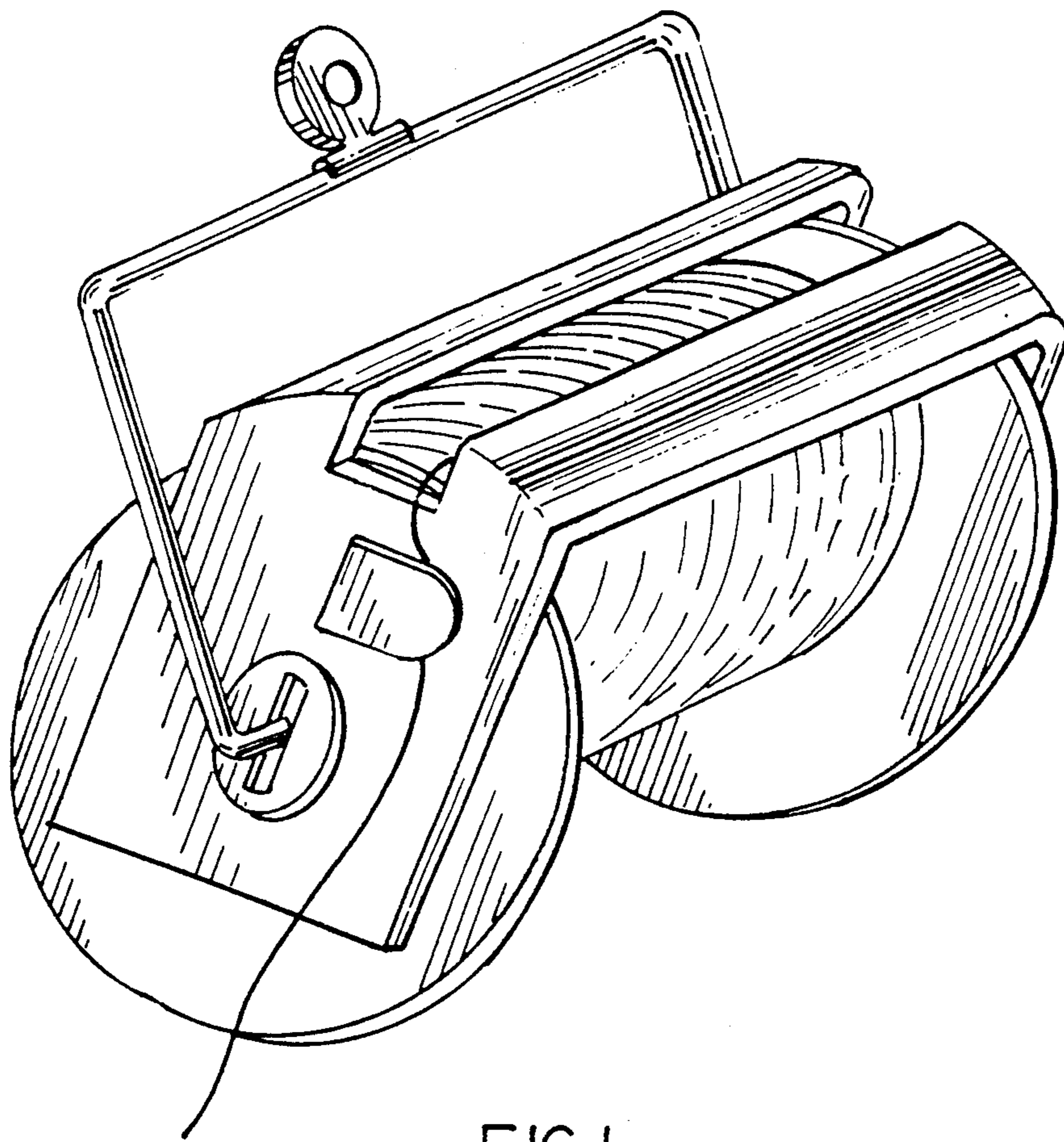


FIG. 1