

[54] SLIDING DOOR GUIDE ROLLER

[76] Inventor: Thomas H. McAfee, 3920 Wisteria, Seal Beach, Calif. 90740

[**] Term: 14 Years

[21] Appl. No.: 108,411

[22] Filed: Oct. 15, 1987

[52] U.S. Cl. D8/354

[58] Field of Search D8/354, 373; 49/425

[56] References Cited

U.S. PATENT DOCUMENTS

3,745,706	7/1973	Stermac	49/425
3,855,732	12/1974	Sheaf	49/425
4,262,451	4/1981	Dallaire	49/425
4,282,631	8/1981	Uehara et al.	49/425 X
4,639,970	2/1987	Adams	49/425 X

4,805,262	2/1989	Marshik	49/425 X
4,850,145	7/1989	McAfee	49/425 X

Primary Examiner—Horace B. Fay, Jr.
Attorney, Agent, or Firm—Fulwider, Patton, Lee & Utecht

[57] CLAIM

The ornamental design for a sliding door guide roller, as shown and described.

DESCRIPTION

FIG. 1 is a front elevational view of a sliding door guide roller showing my new design; FIG. 2 is a left end elevational view thereof, the opposite end elevational view being a mirror image; FIG. 3 is a rear elevational view thereof; FIGS. 4 and 5 are respectively bottom and top plan views.

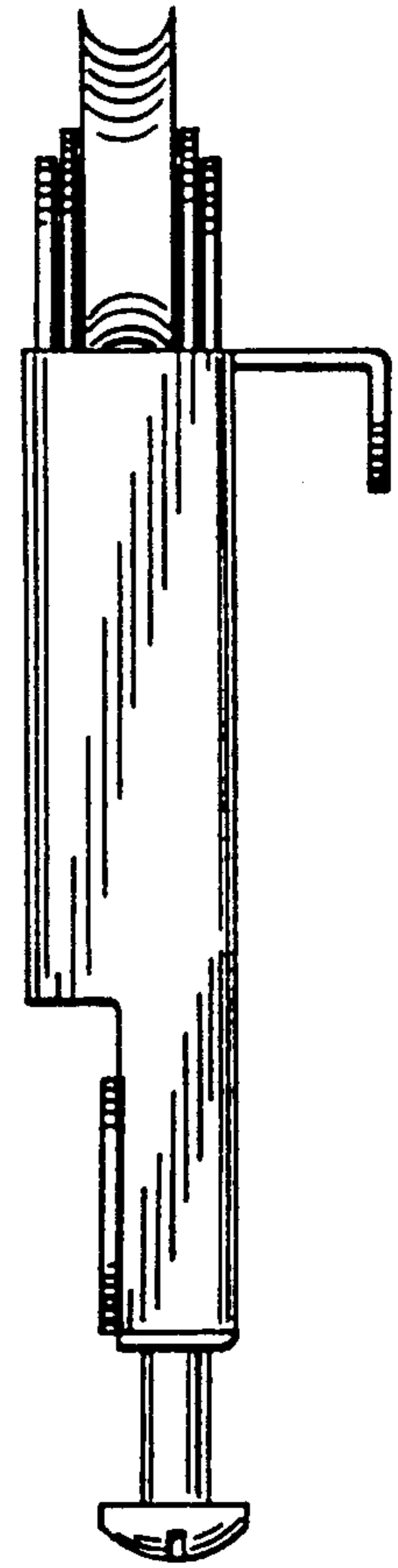
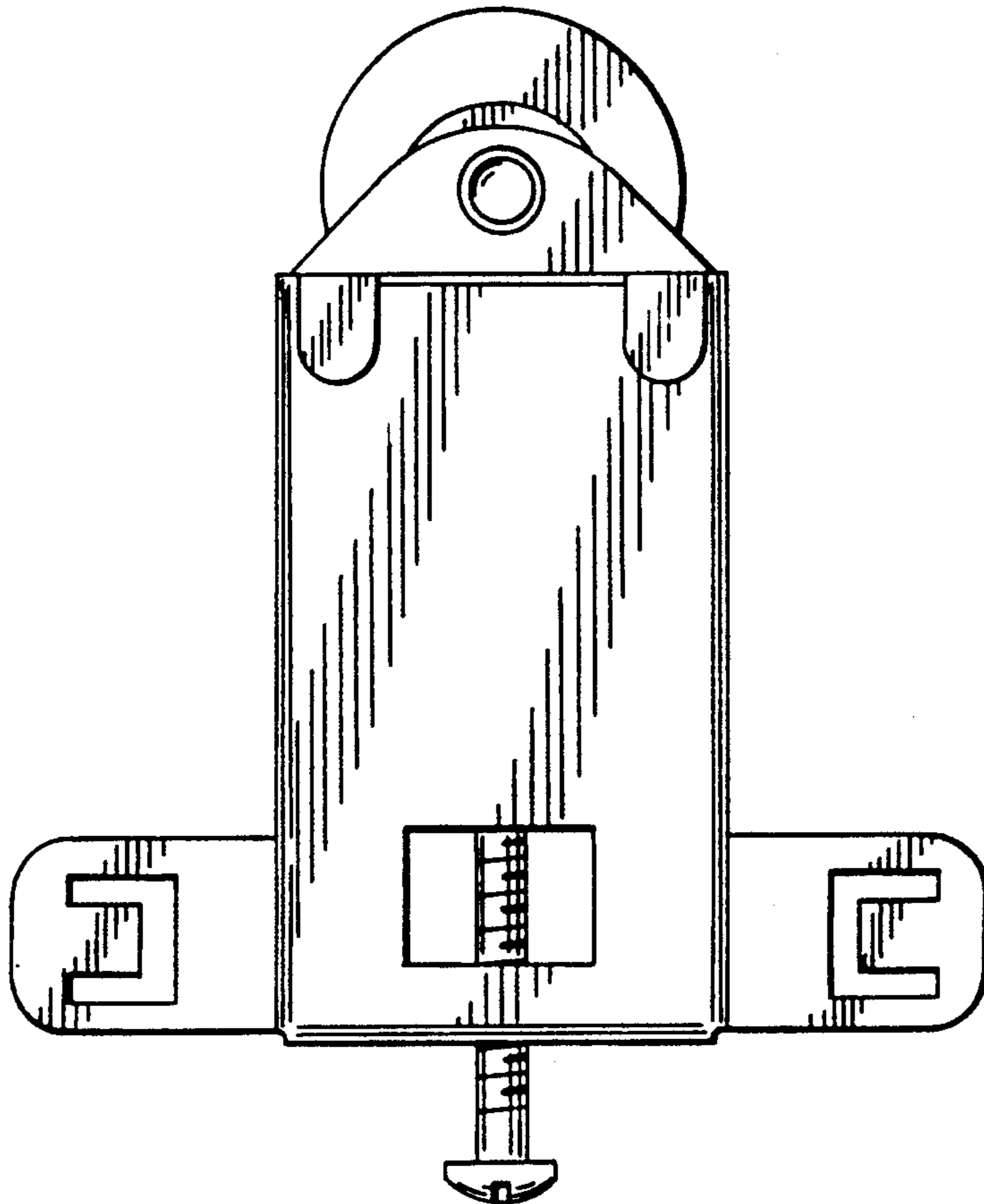


FIG. 1

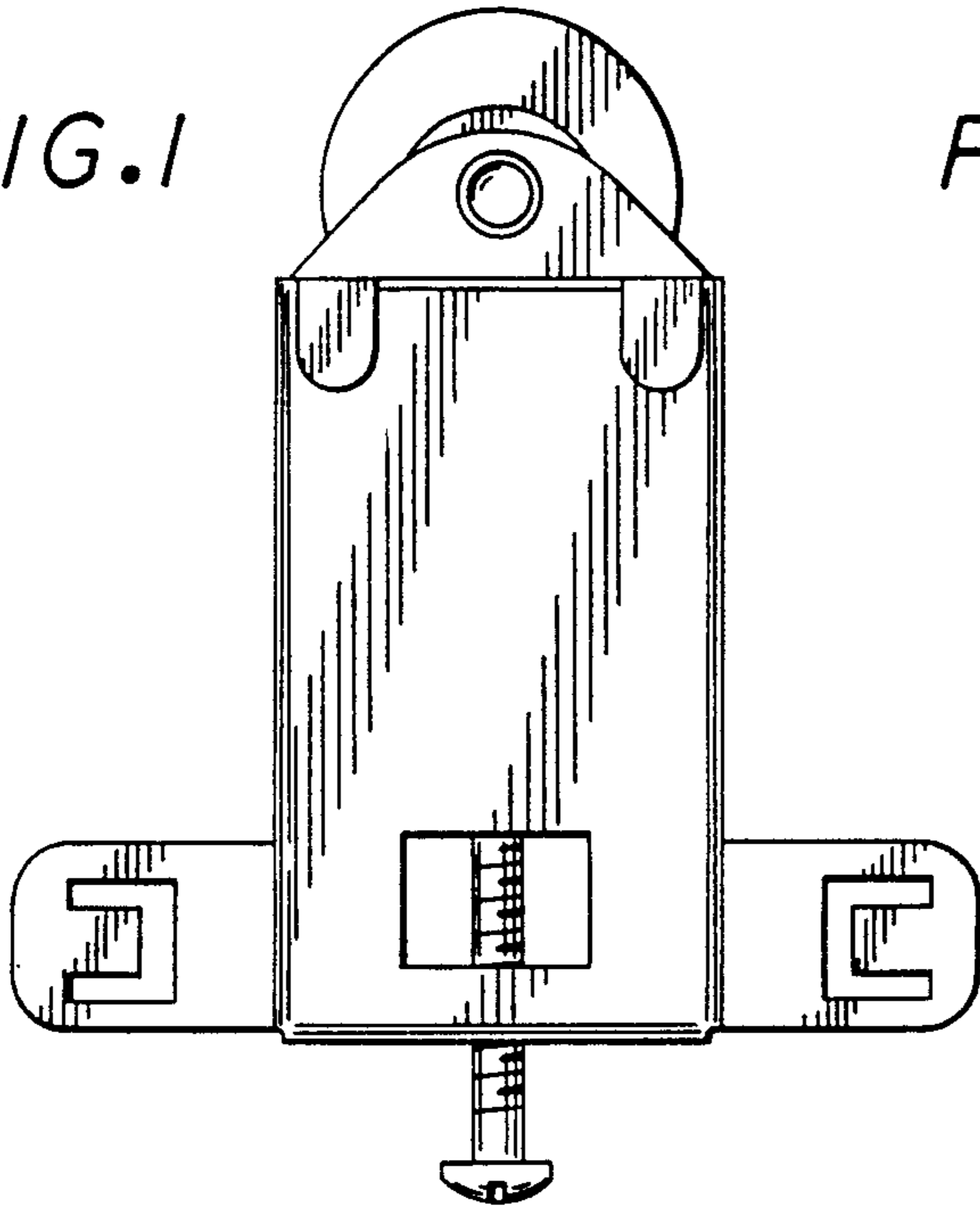


FIG. 2



FIG. 3

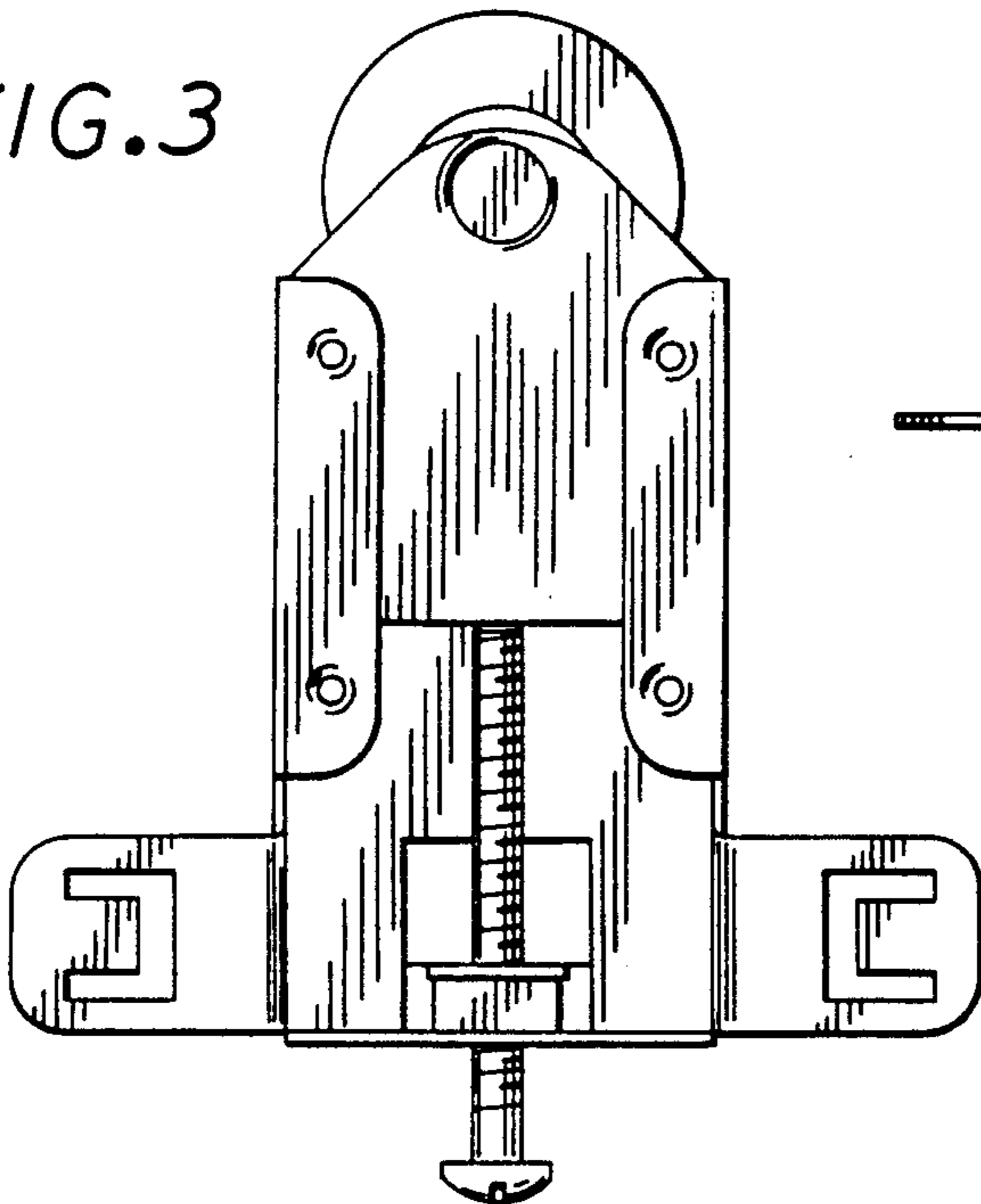


FIG. 4

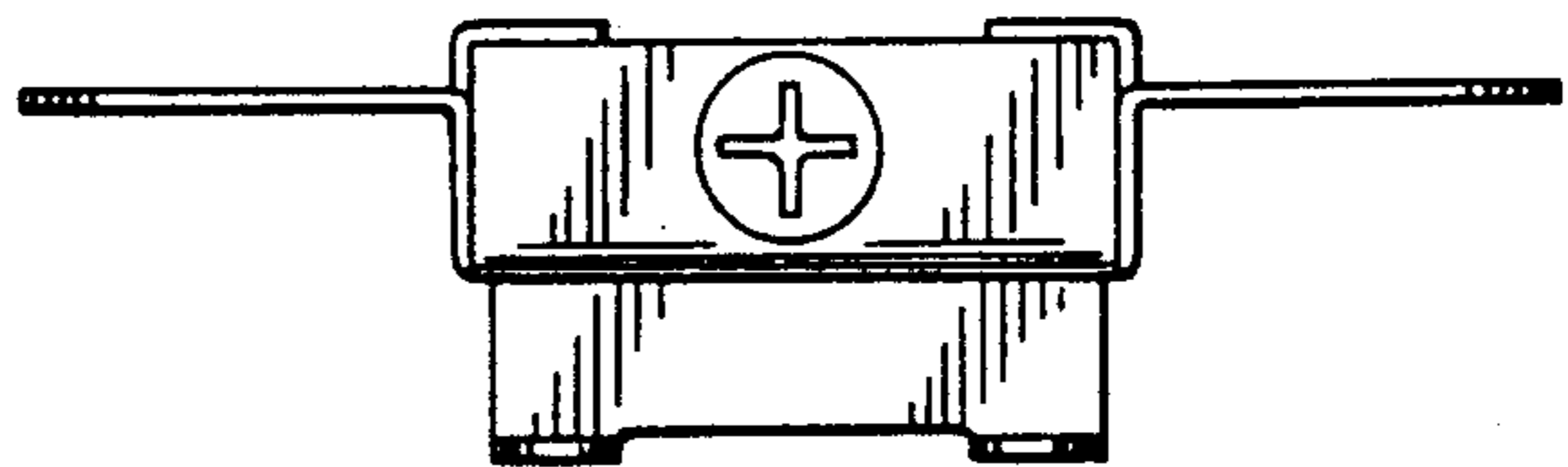


FIG. 5

