

[54] CONSTRUCTION ANCHOR FOR CONNECTING HORIZONTAL AND VERTICAL SUPPORT MEMBERS TO A BASE

[76] Inventors: Paul Hoffman; Sam H. Bright, both of P.O. Box 2628, Eugene, Oreg. 96402

[\*\*] Term: 14 Years

[21] Appl. No.: 1,999

[22] Filed: Jan. 9, 1987

[52] U.S. Cl. .... D8/354; D8/356; 52/126.6

[58] Field of Search ..... D8/354, 358; D12/215; D25/118, 122, 126, 128, 133; 52/698, 126.6, 294, 295; 248/216, 300

[56] References Cited

U.S. PATENT DOCUMENTS

D. 198,813	8/1964	Stone	.....	D8/356 X
D. 213,613	3/1969	Lautem	.....	D25/122
D. 223,701	5/1972	Lausch	.....	D8/356
D. 237,271	10/1975	Edwards	.....	D25/122
D. 245,145	7/1977	Berry	.....	D8/356
D. 248,447	7/1978	Hornung	.....	D8/354
D. 254,476	3/1980	Gilk	.....	D8/354
D. 258,194	2/1981	Stanley	.....	D8/354
D. 258,744	3/1981	Ruga	.....	D8/354 X
D. 270,476	9/1983	Black	.....	D8/354 X
D. 271,847	12/1983	Hernandez	.....	D8/356
D. 273,712	5/1984	Ahlqvist	.....	D25/133
D. 279,608	7/1985	Carey	.....	D25/126
D. 285,006	8/1986	Moulinie et al.	.....	D25/122 X
D. 287,460	12/1986	Mackaevich	.....	D8/356 X
239,514	3/1881	Leadley	.....	D25/514 X
469,638	2/1892	Chase	.....	52/216

3,449,877	6/1969	Beckman	.....	D25/122 X
3,467,351	9/1969	Feuerer	.....	D8/356 X
4,404,780	9/1983	Josephson	.....	52/126.6 X
4,761,924	8/1988	Gustafson	.....	52/126.6
4,831,797	5/1989	Vladikovic	.....	52/126.6
4,850,163	7/1989	Kobayashi et al.	.....	52/126.6

FOREIGN PATENT DOCUMENTS

881835	9/1971	Canada	.	
822738	10/1959	United Kingdom	.	
2185048A	7/1987	United Kingdom	.....	52/126.6

Primary Examiner—Horace B. Fay, Jr.  
Attorney, Agent, or Firm—E. M. Eckelman

[57] CLAIM

The ornamental design for a construction anchor for connecting horizontal and vertical support members to a base, as shown and described.

DESCRIPTION

FIG. 1 is a front perspective view showing our new design of a construction anchor for connecting horizontal vertical support members to a base, the sides not shown each being a mirror image thereof;  
FIG. 2 is a bottom perspective view thereof;  
FIG. 3 is a bottom perspective view of a second embodiment thereof, having the same design otherwise as shown in FIG. 1;  
FIG. 4 is a bottom perspective view of a third embodiment thereof, having the same design otherwise as shown in FIG. 1;  
FIG. 5 is a top perspective view of a fourth embodiment thereof, the sides not shown being the mirror image of the side shown; and  
FIG. 6 is a bottom perspective view thereof, the quadrants as viewed from the bottom being symmetrical and identical design.

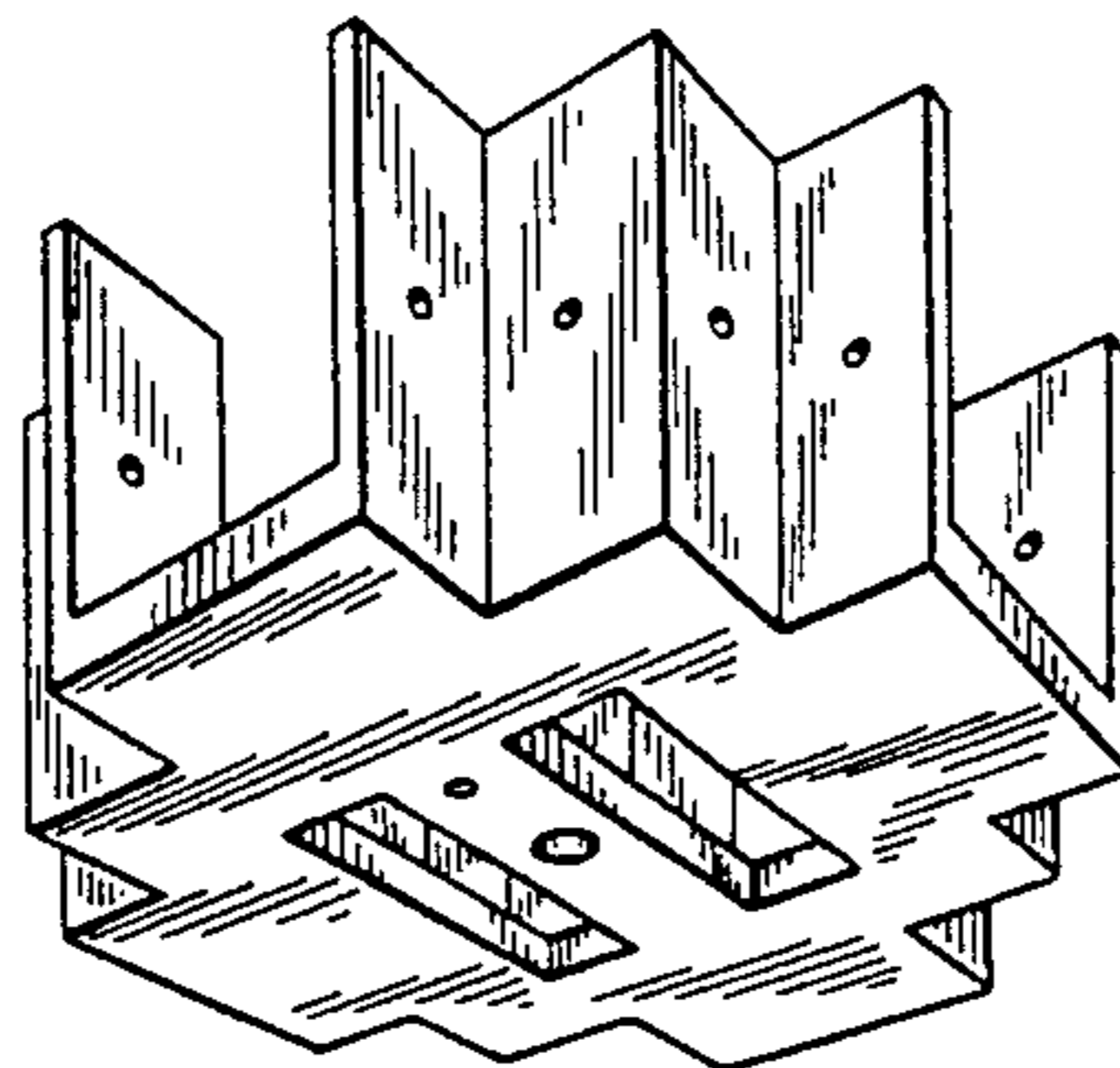
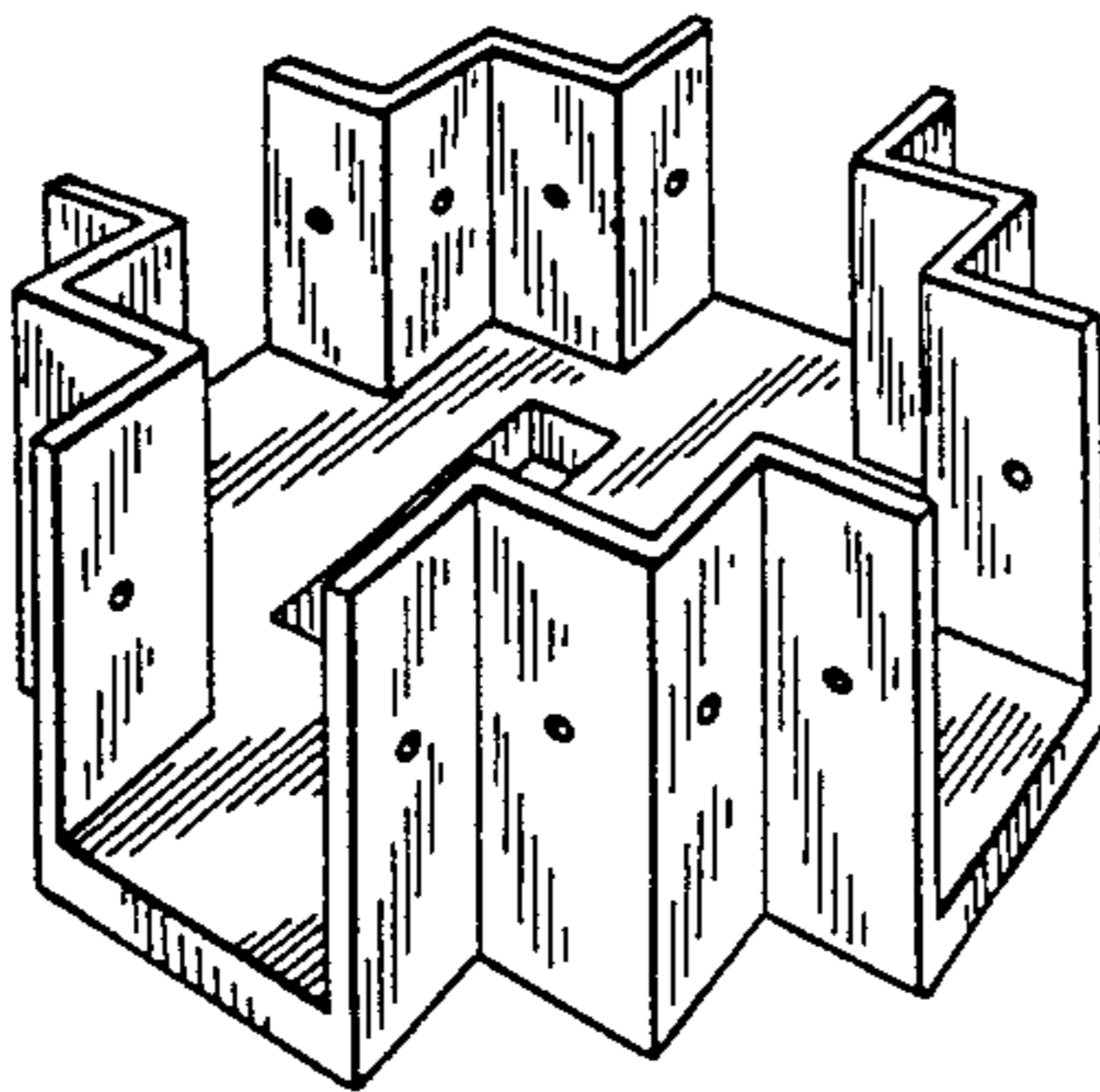


FIG. 1

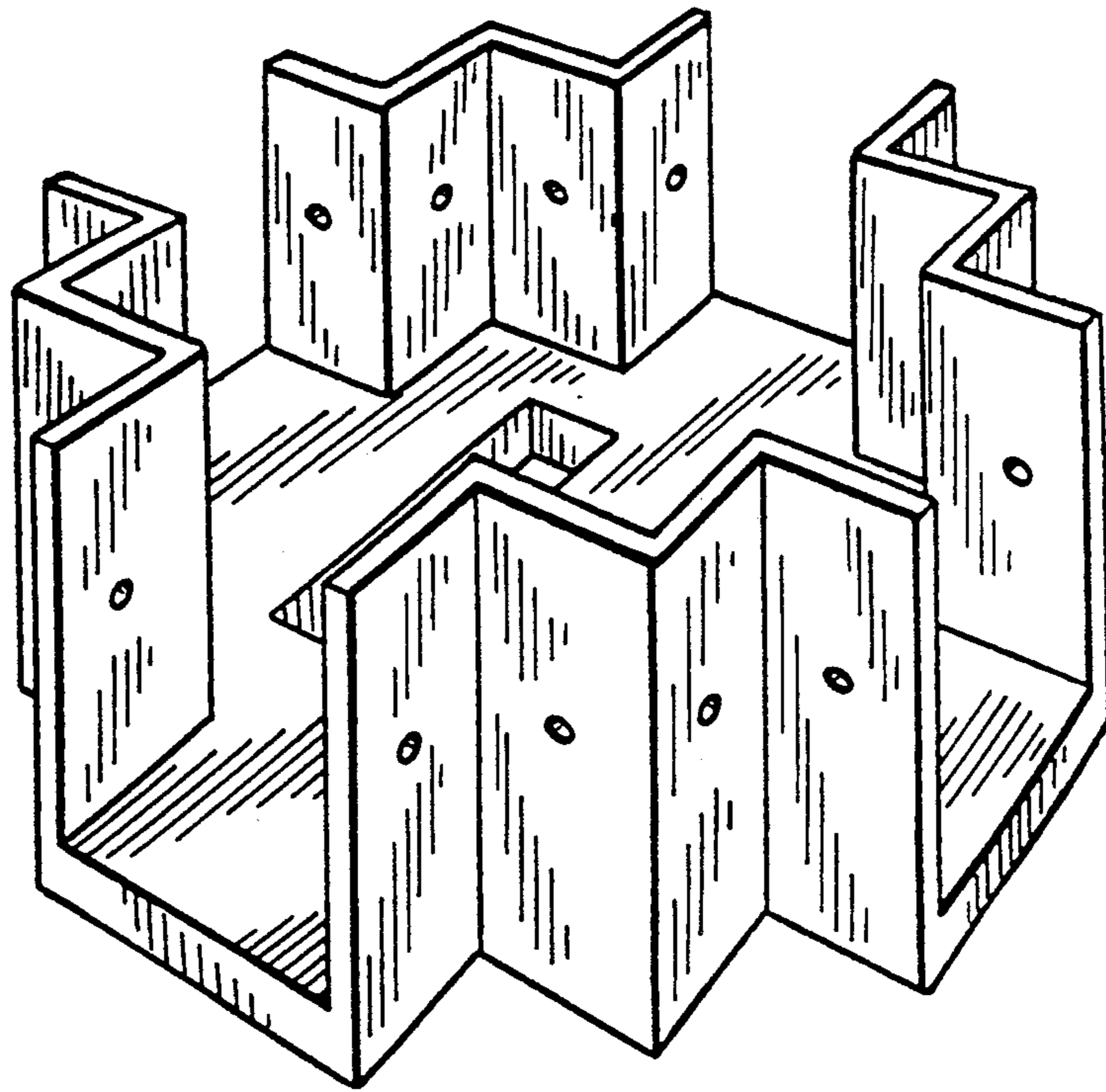


FIG. 2

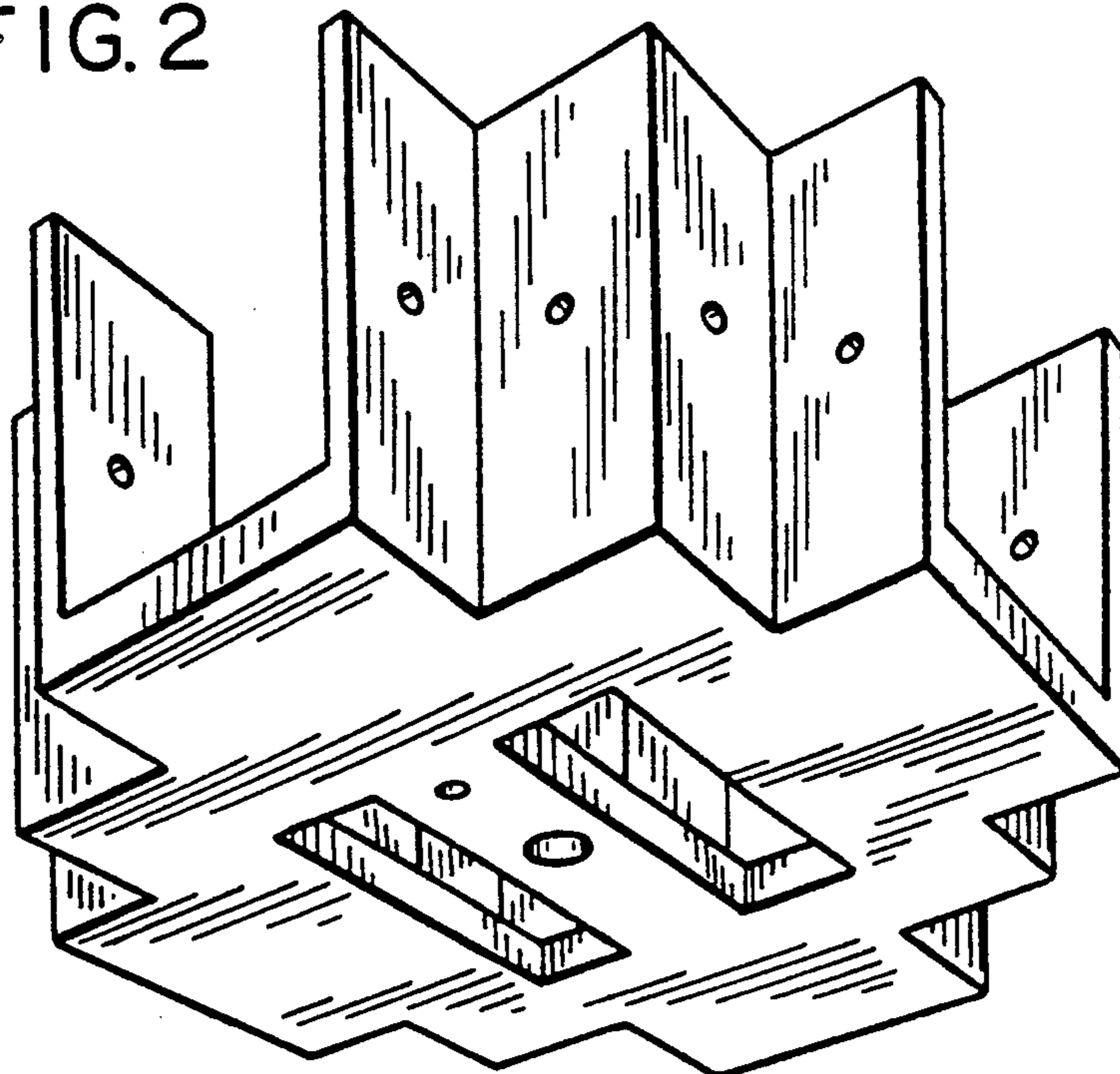


FIG. 3

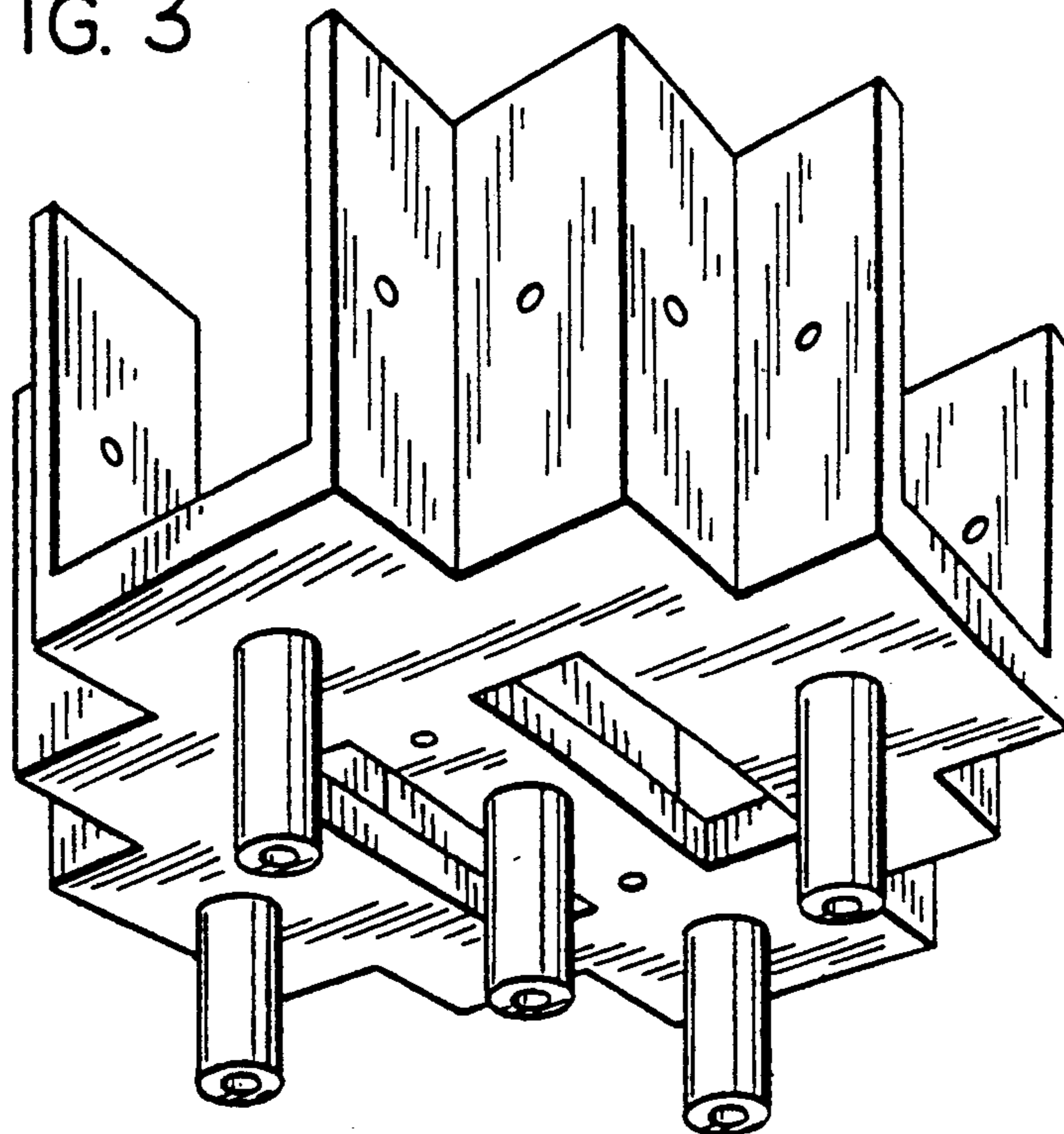


FIG. 4

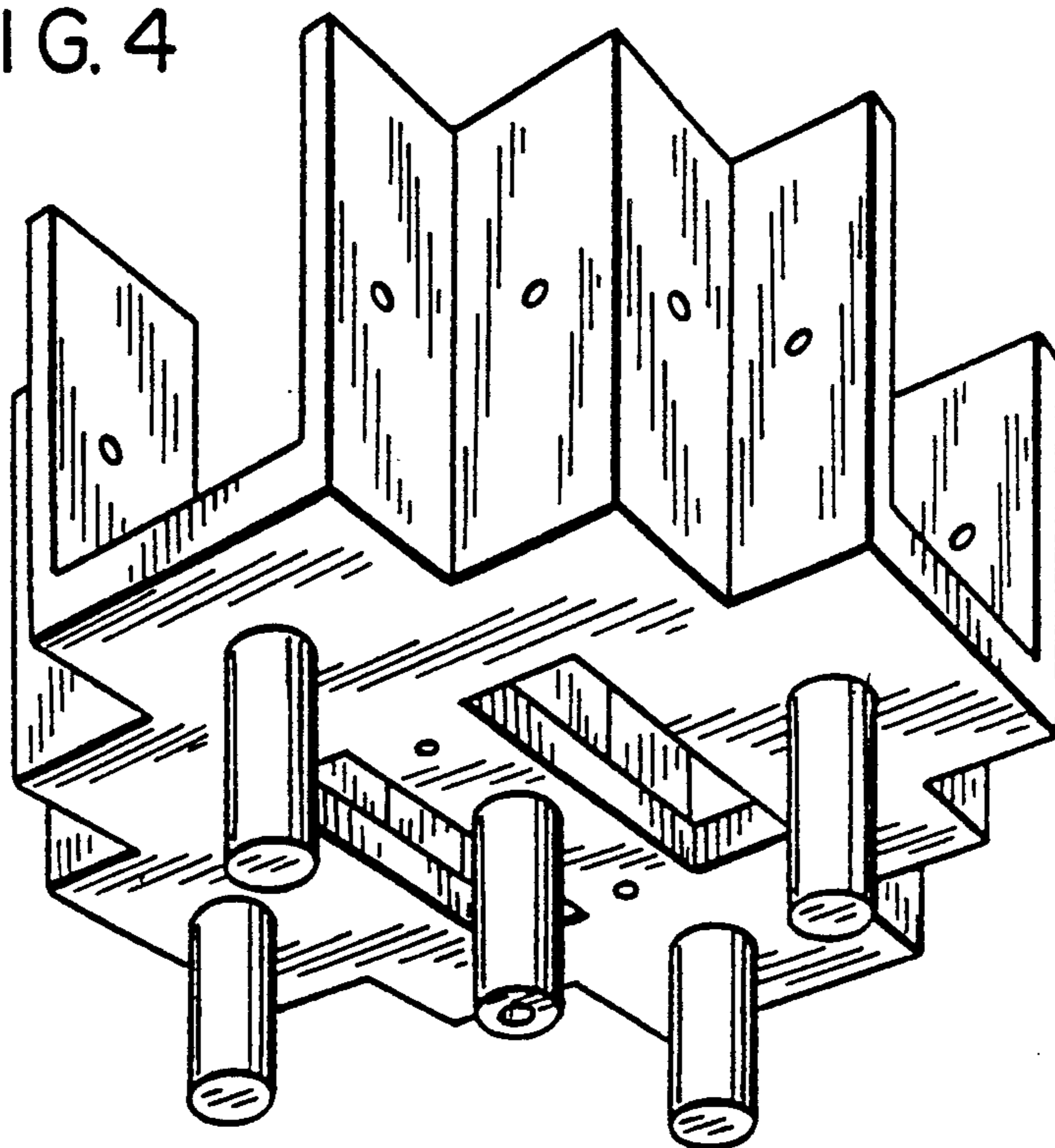


FIG. 5

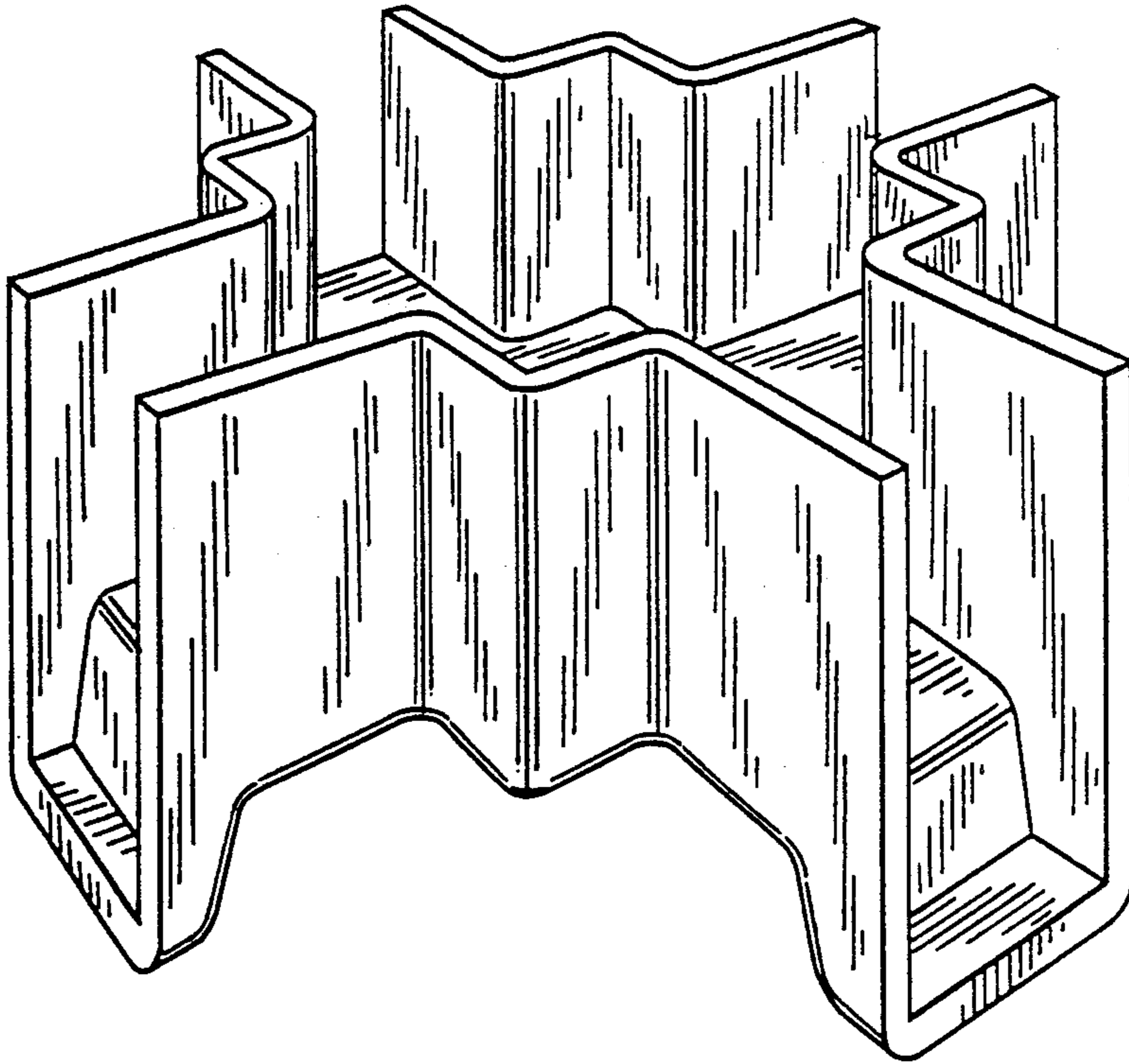


FIG. 6

