

[54] ICE BUCKET WITH LID

[56] References Cited

[75] Inventor: Kai-Lit C. Sun, Kowloon, Hong Kong

U.S. PATENT DOCUMENTS

- D. 180,928 9/1957 Bliss D7/608
- D. 225,668 12/1972 Darr D7/603
- D. 301,958 7/1989 Zivin D7/608

[73] Assignee: Kin Hip Metal & Plastic Factory Limited, Kwun Tong, Hong Kong

Primary Examiner—Bernard Ansher
Assistant Examiner—Terry A. Pfeffer
Attorney, Agent, or Firm—Kelly Bauersfeld & Lowry

[**] Term: 14 Years

[57] CLAIM

[21] Appl. No.: 280,520

The ornamental design for an ice bucket with lid, as shown and described.

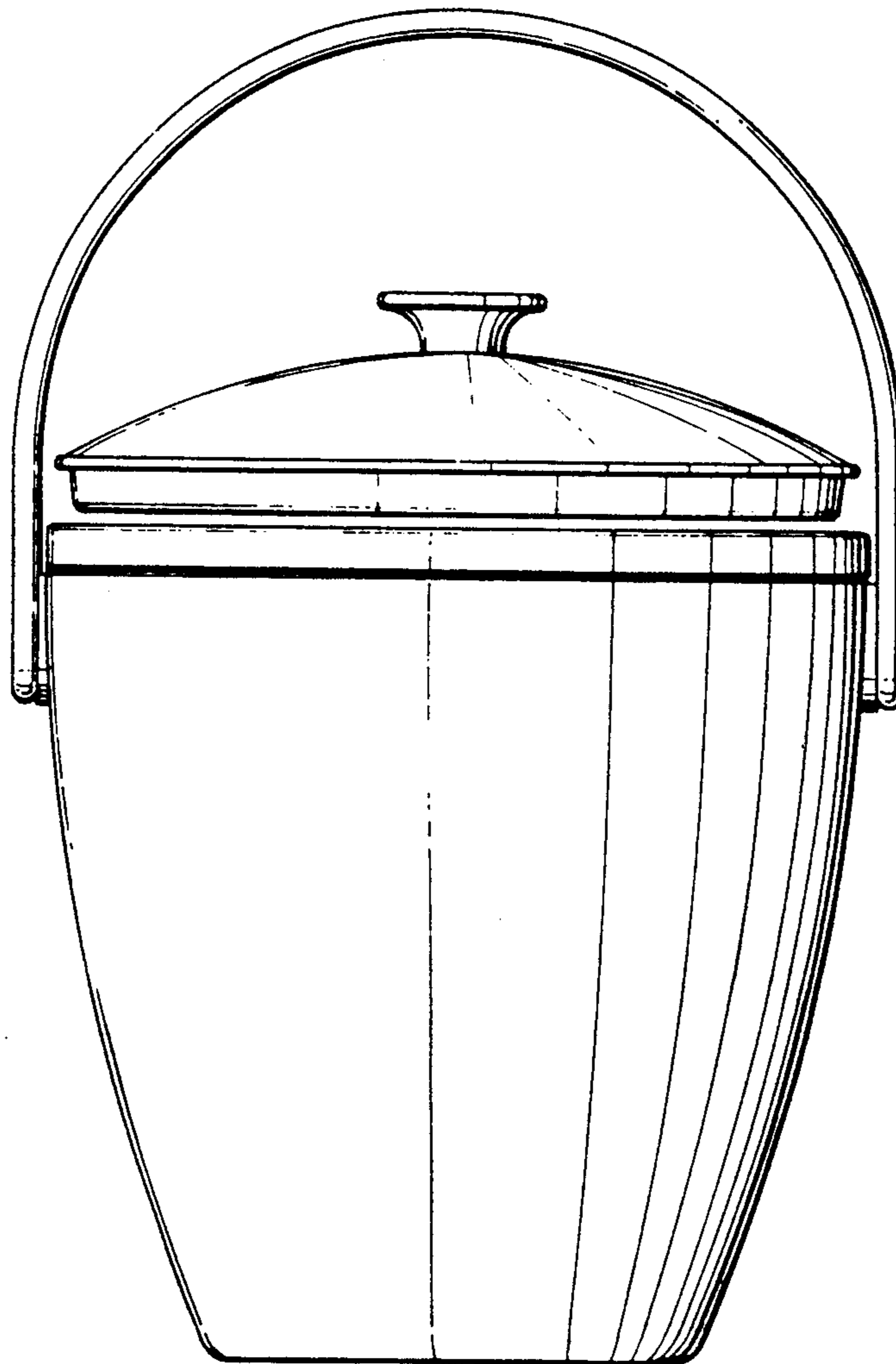
[22] Filed: Dec. 6, 1988

DESCRIPTION

[30] Foreign Application Priority Data

- Nov. 2, 1988 [GB] United Kingdom 1054738
- [52] U.S. Cl. D7/603
- [58] Field of Search D7/603-604, D7/605, 629, 538, 542-543, 545, 547; 220/410-412; 62/457.1, 457.8

FIG. 1 is a front elevational view of an ice bucket with lid showing my design, the lid shown partially raised, the opposite side being a mirror image;
FIG. 2 is a left side elevational view thereof, the opposite side being a mirror image;
FIG. 3 is a top plan view thereof; and
FIG. 4 is a sectional view thereof on the line 4-4 of FIG. 3.



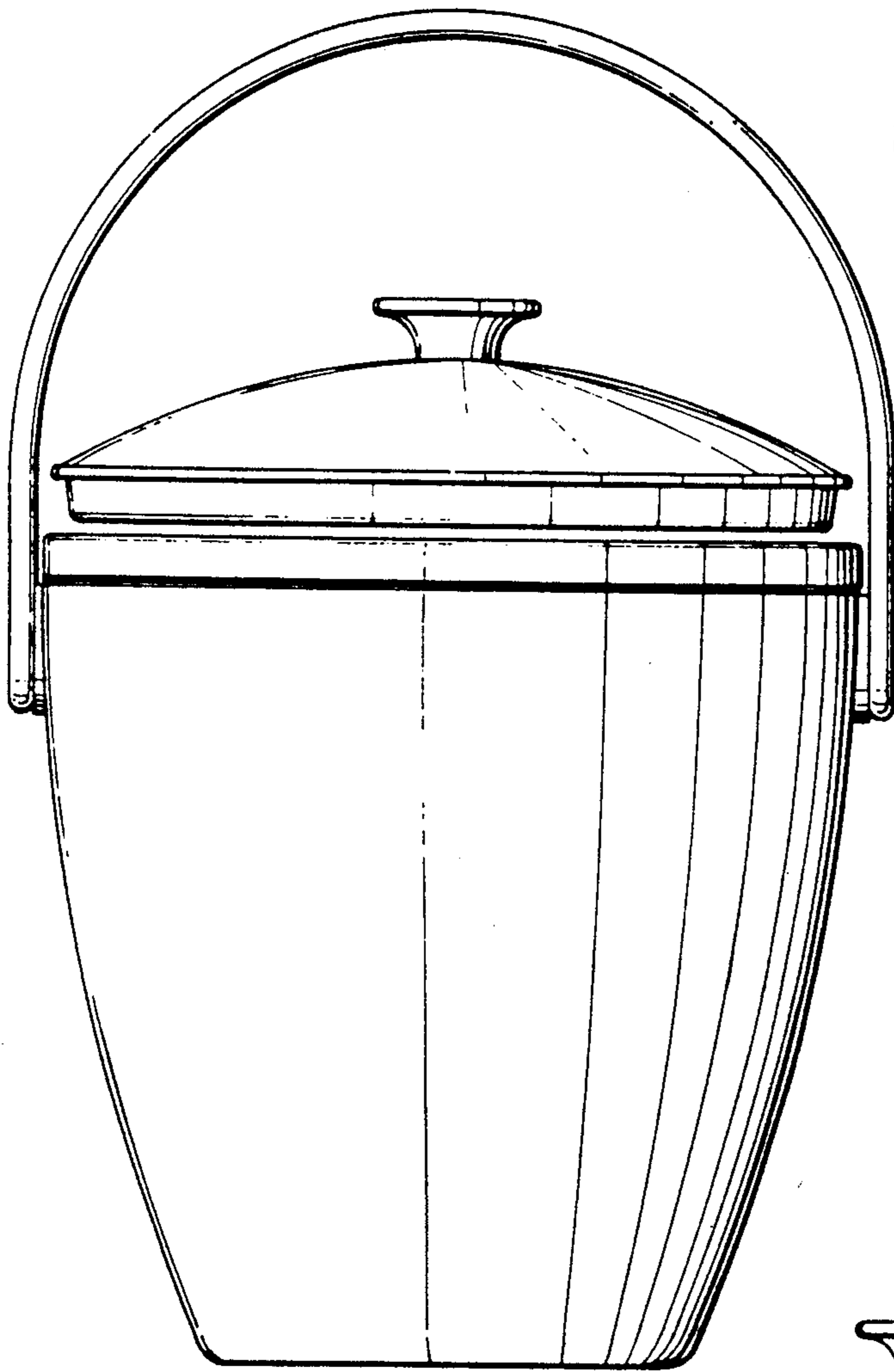


Fig.1.

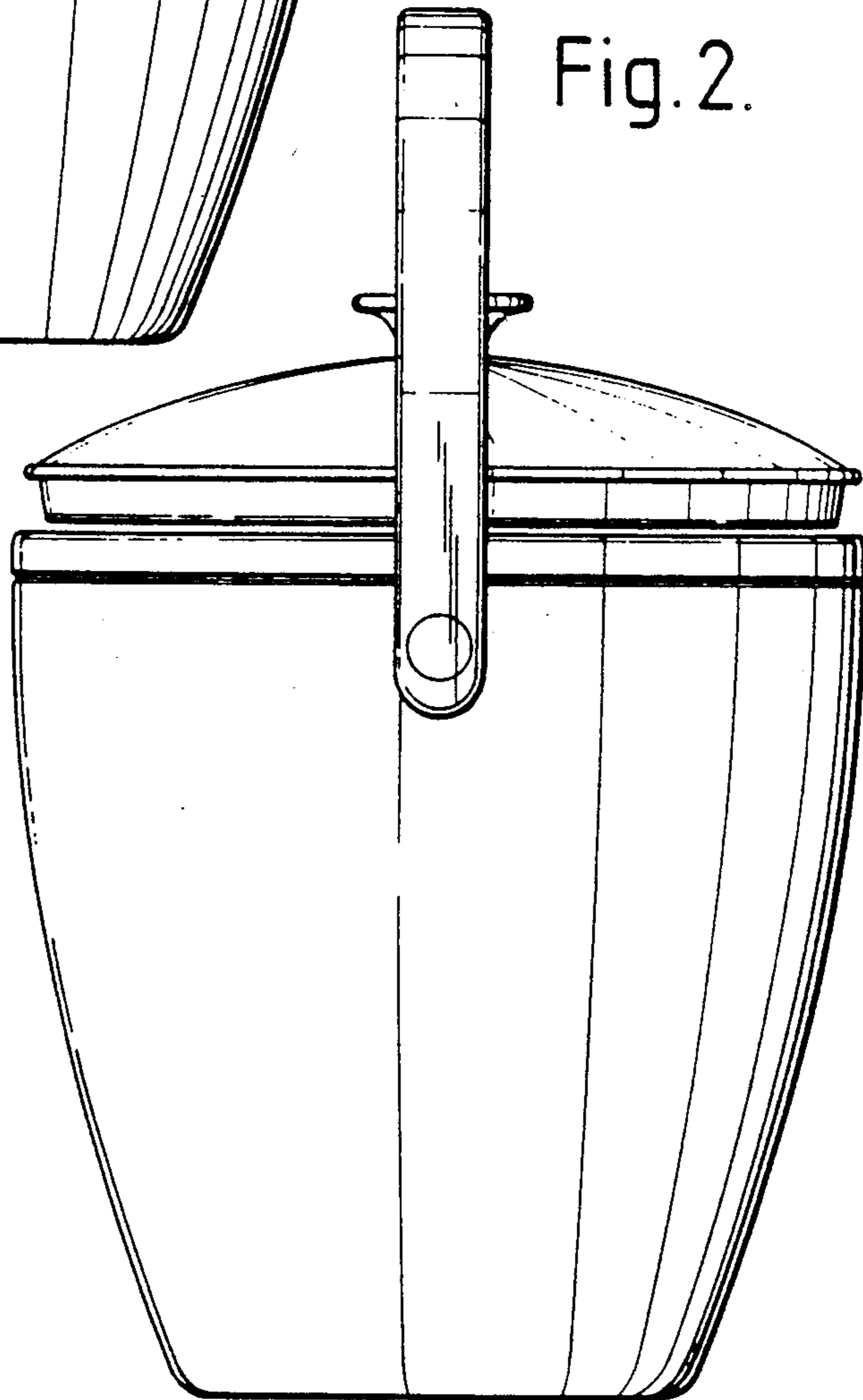


Fig.2.

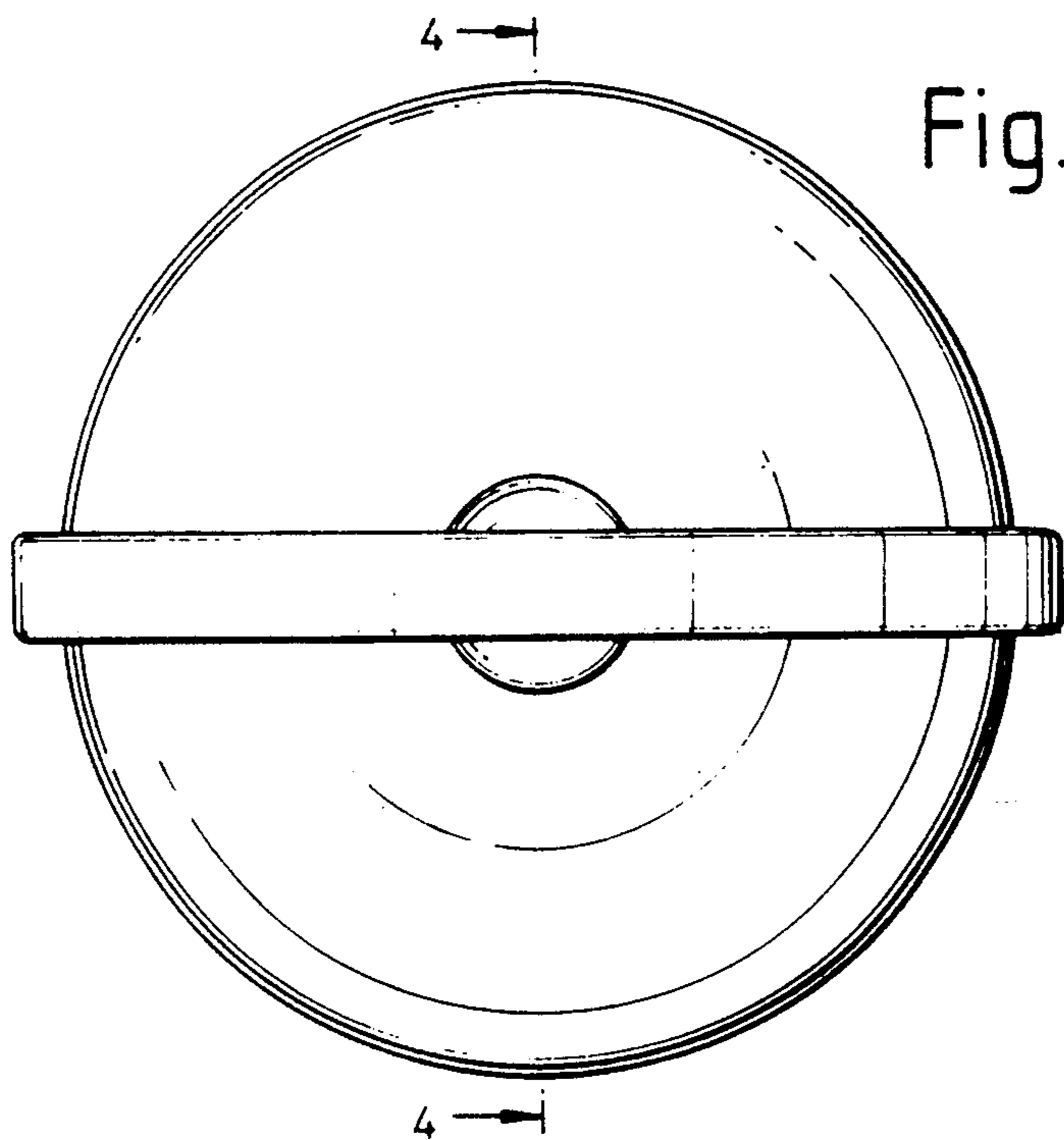


Fig. 3.

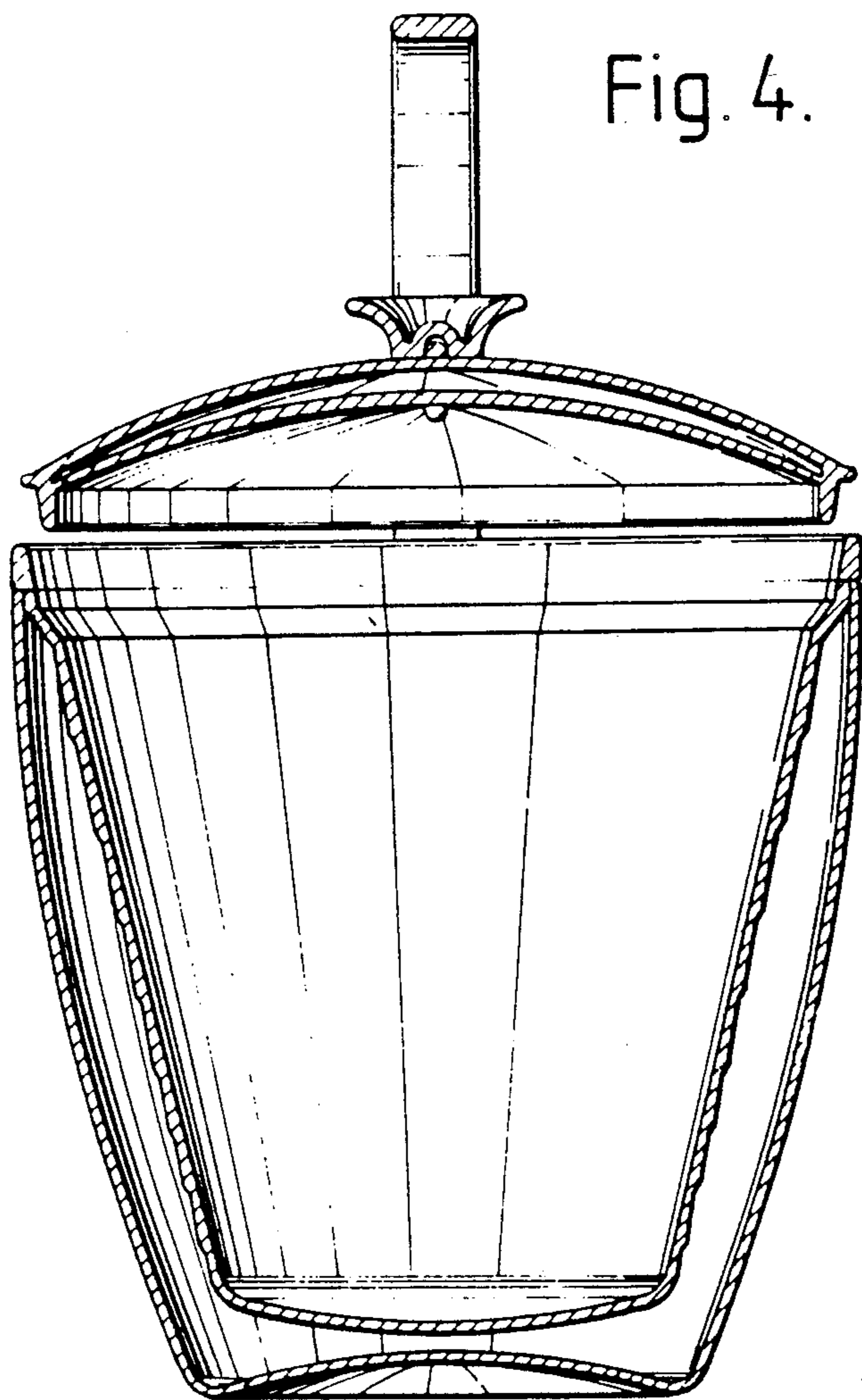


Fig. 4.