

[54] FOOD MIXER

[75] Inventor: Duncan P. Copland, Milwaukee, Wis.

[73] Assignee: Sunbeam Corporation, Downers Grove, Ill.

[**] Term: 14 Years

[21] Appl. No.: 192,757

[22] Filed: May 11, 1988

[52] U.S. Cl. D7/379

[58] Field of Search D7/384, 412-415, D7/379, 386, 376, 377, 380

[56] References Cited

U.S. PATENT DOCUMENTS

- D. 189,936 3/1961 Grange D7/379
- D. 254,949 5/1980 Besford D7/379
- D. 254,950 5/1980 Besford D7/379 X
- D. 265,166 6/1982 Ernest et al. D7/386
- D. 279,858 7/1985 Janssens D7/412
- D. 286,258 10/1986 Grange D7/379

- 3,224,743 12/1965 Freedman et al. 259/85
- 4,544,278 10/1985 Elkerbout et al. 366/129
- 4,765,746 8/1988 Puig D7/379 X

Primary Examiner—Winifred E. Herrmann
Attorney, Agent, or Firm—Neil M. Rose

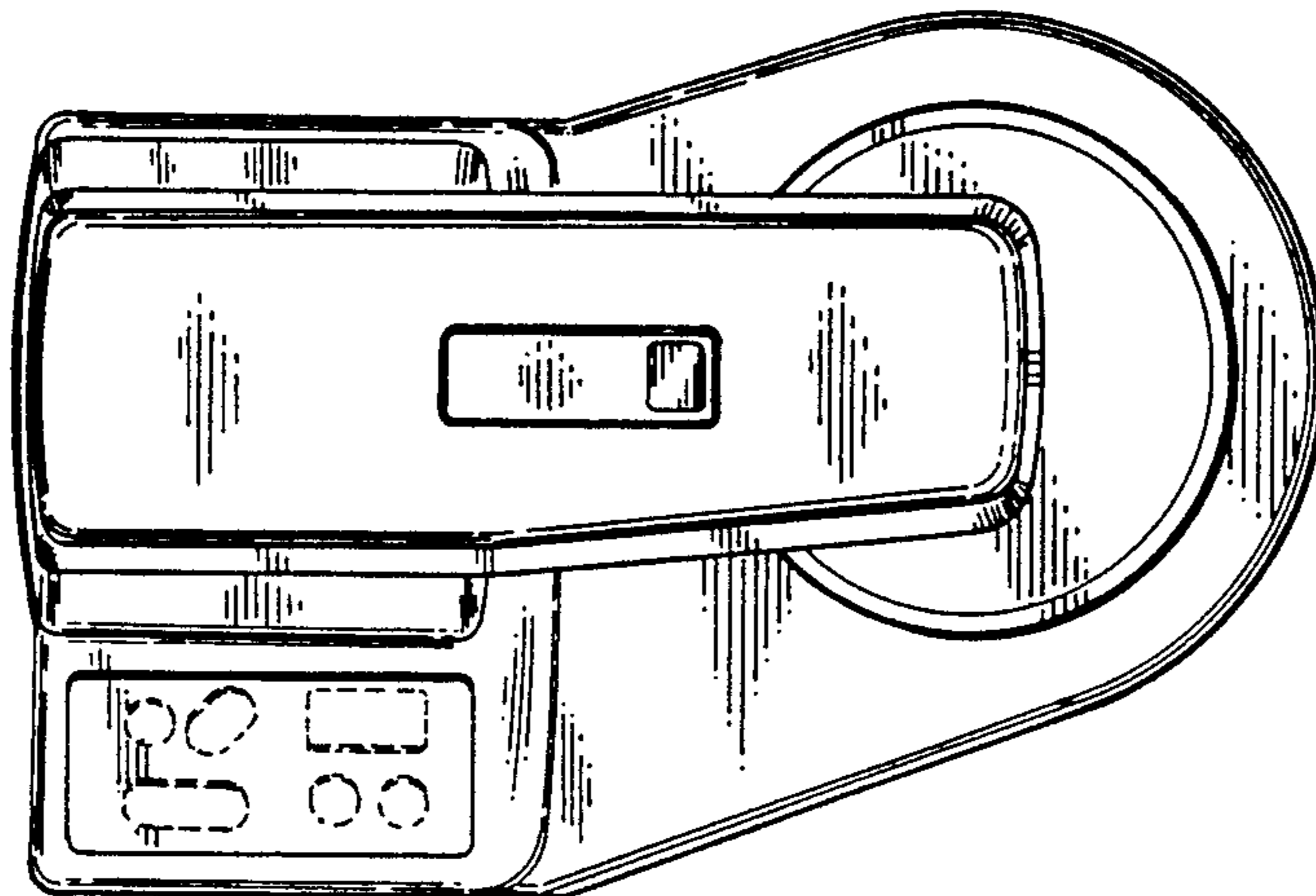
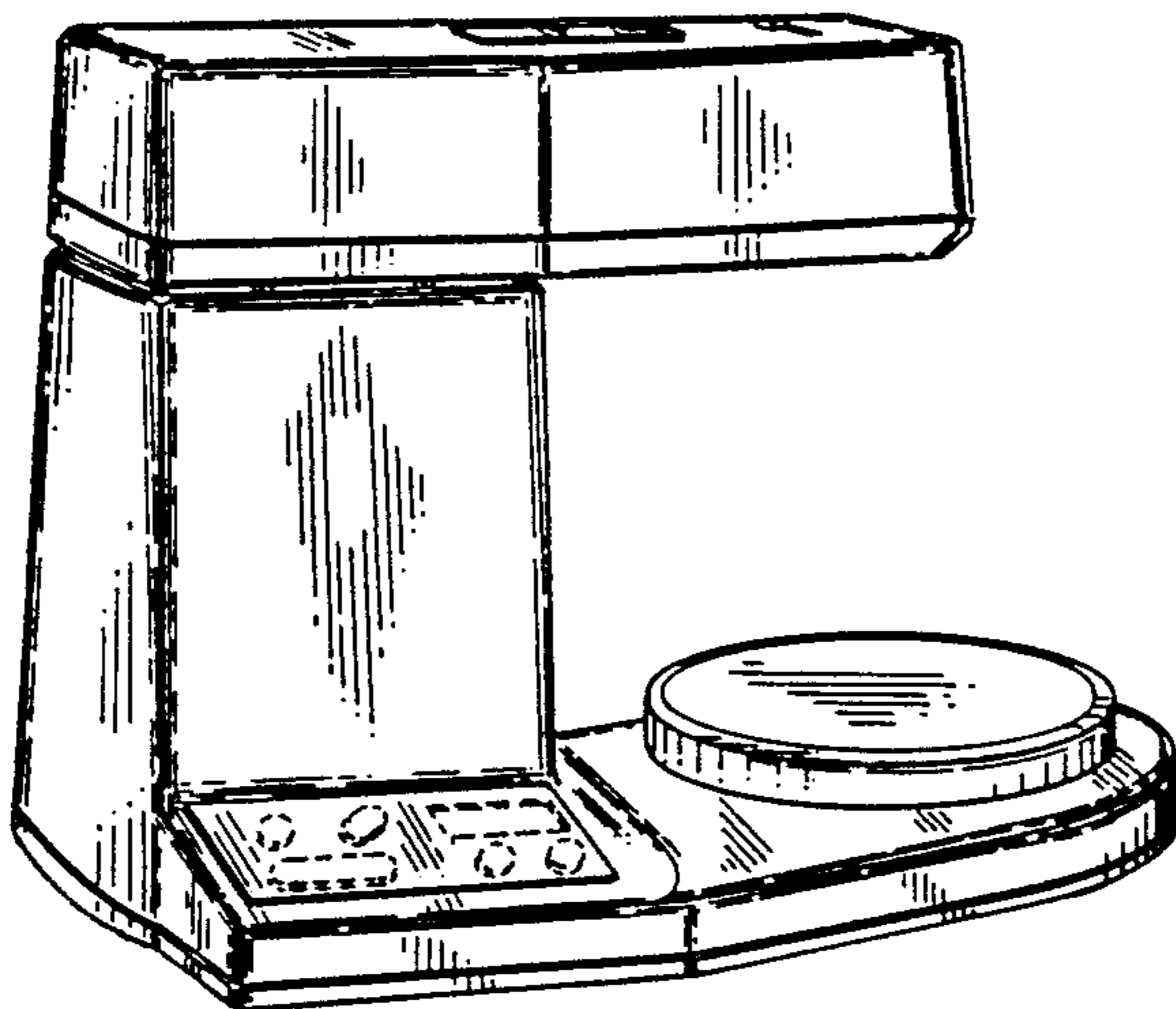
[57] CLAIM

The ornamental design for a food mixer, as shown and described.

DESCRIPTION

FIG. 1 is a top front and left side perspective view of a food mixer showing my new design;
 FIG. 2 is a top plan view thereof;
 FIG. 3 is a front elevational view thereof;
 FIG. 4 is a rear elevational view thereof;
 FIG. 5 is a right side elevational view thereof;
 FIG. 6 is a left side elevational view thereof; and
 FIG. 7 is a bottom plan view thereof.

The broken line showing of the control buttons in FIGS. 1, 2, 3, 5 and 6 is illustrative of environmental structure only and forms no part of the claimed design.



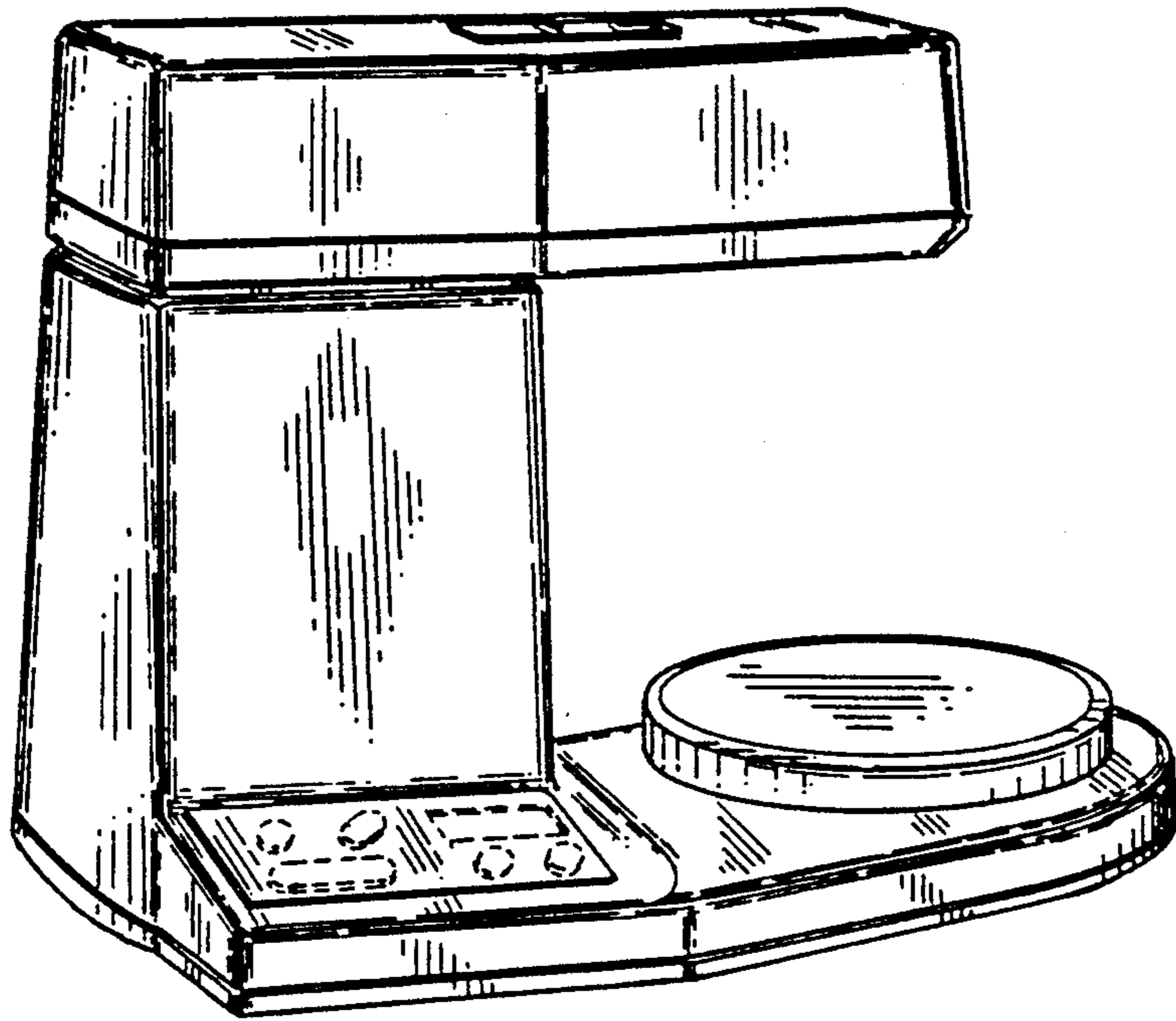


FIG. 1

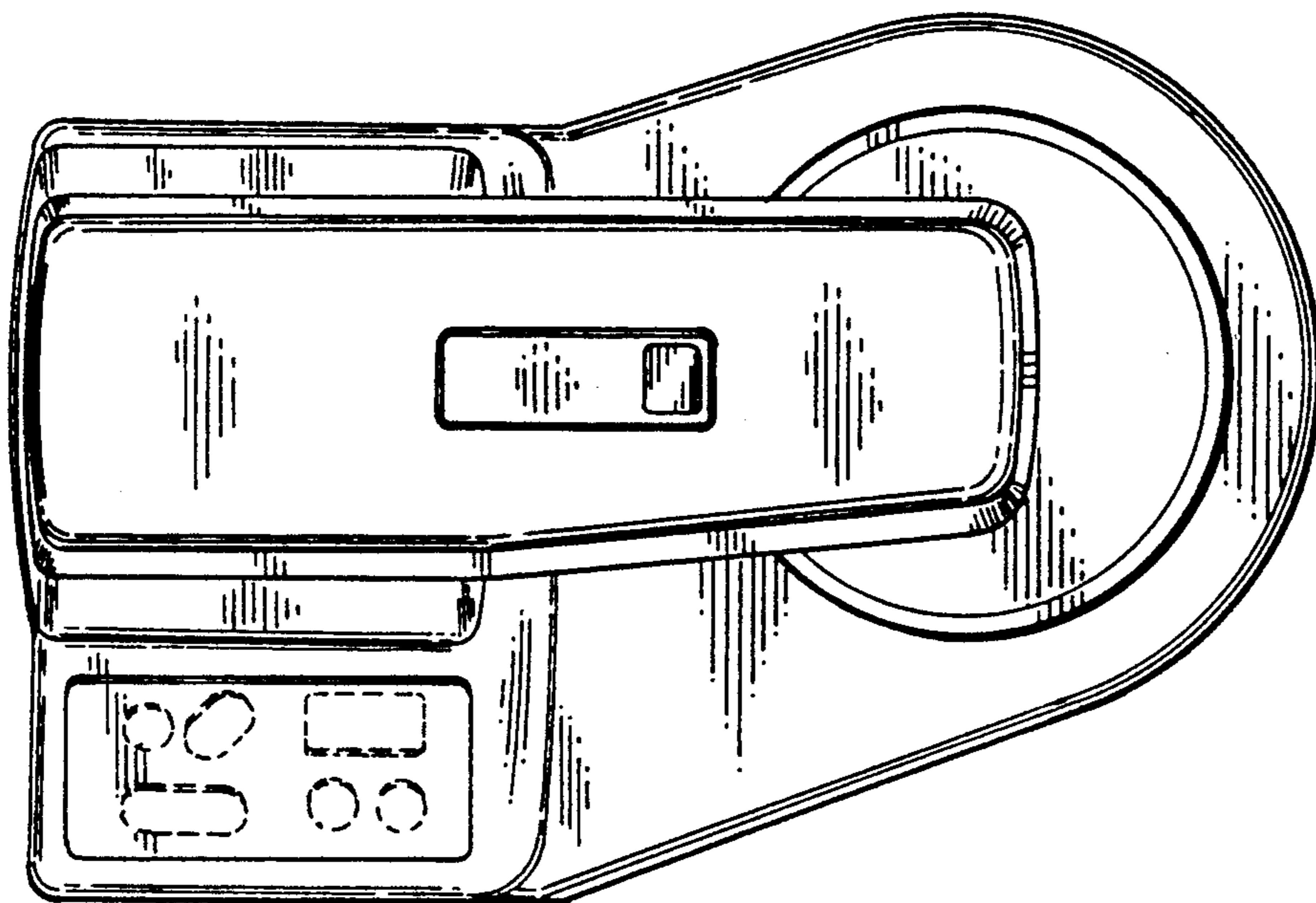


FIG. 2

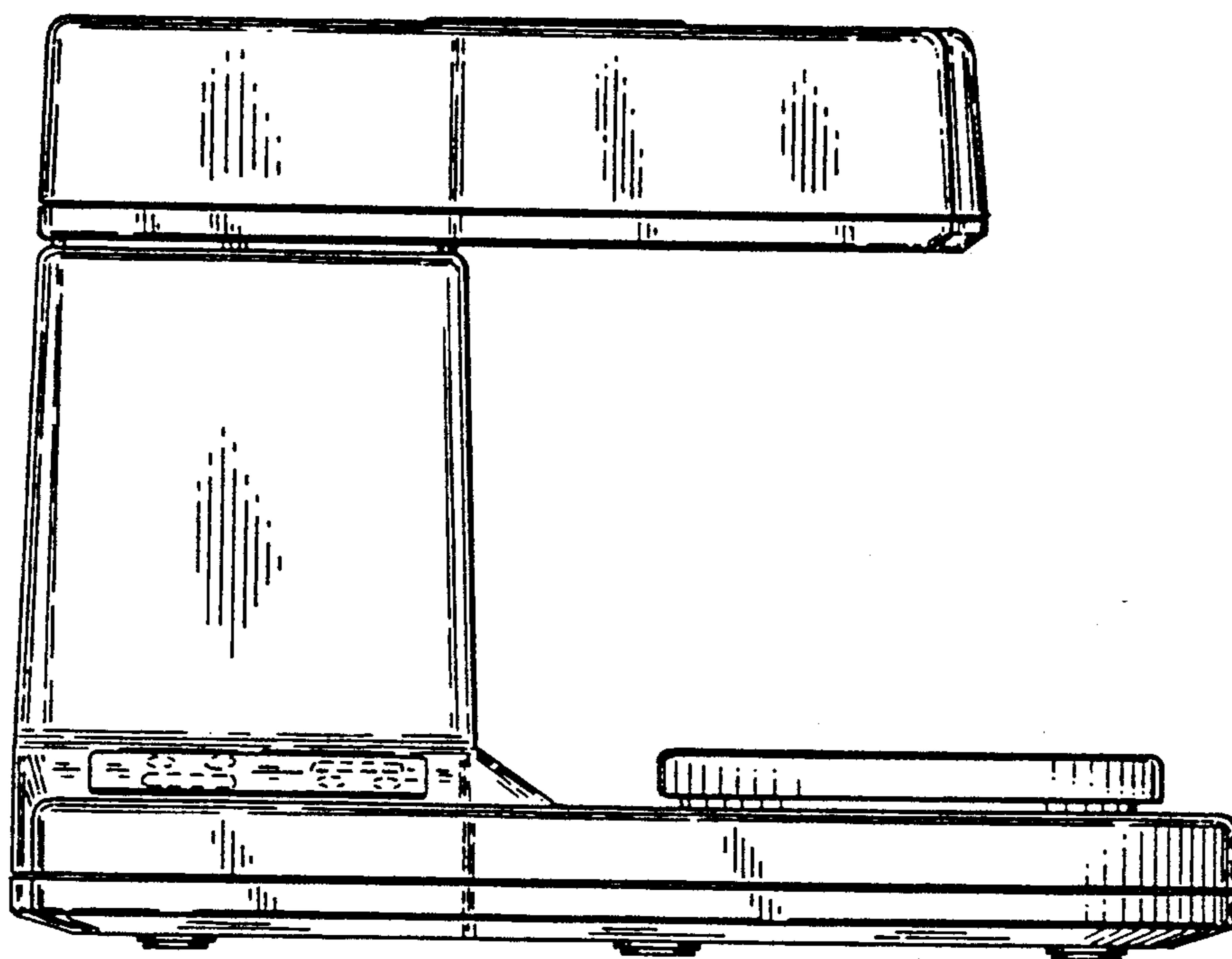


FIG. 3

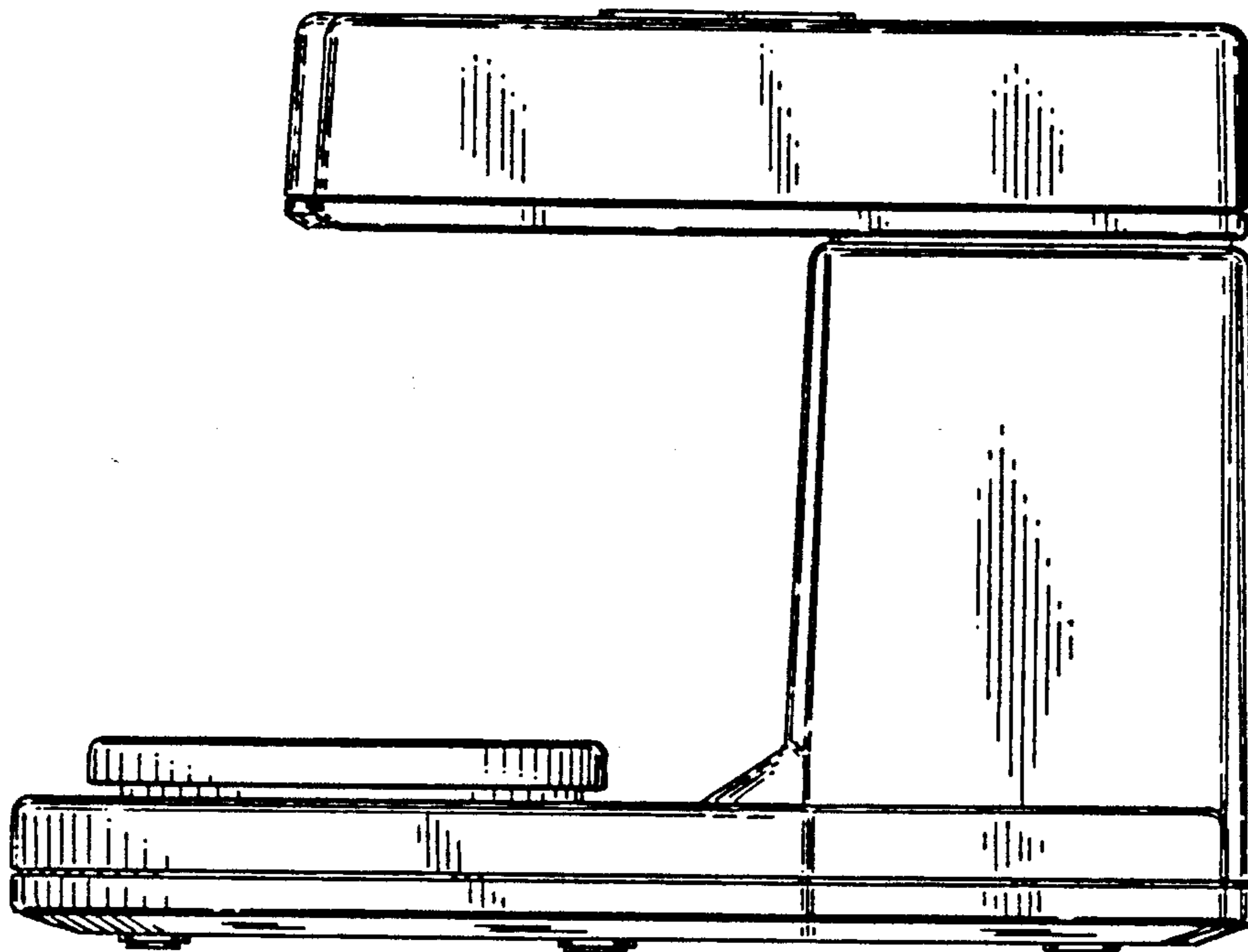


FIG. 4

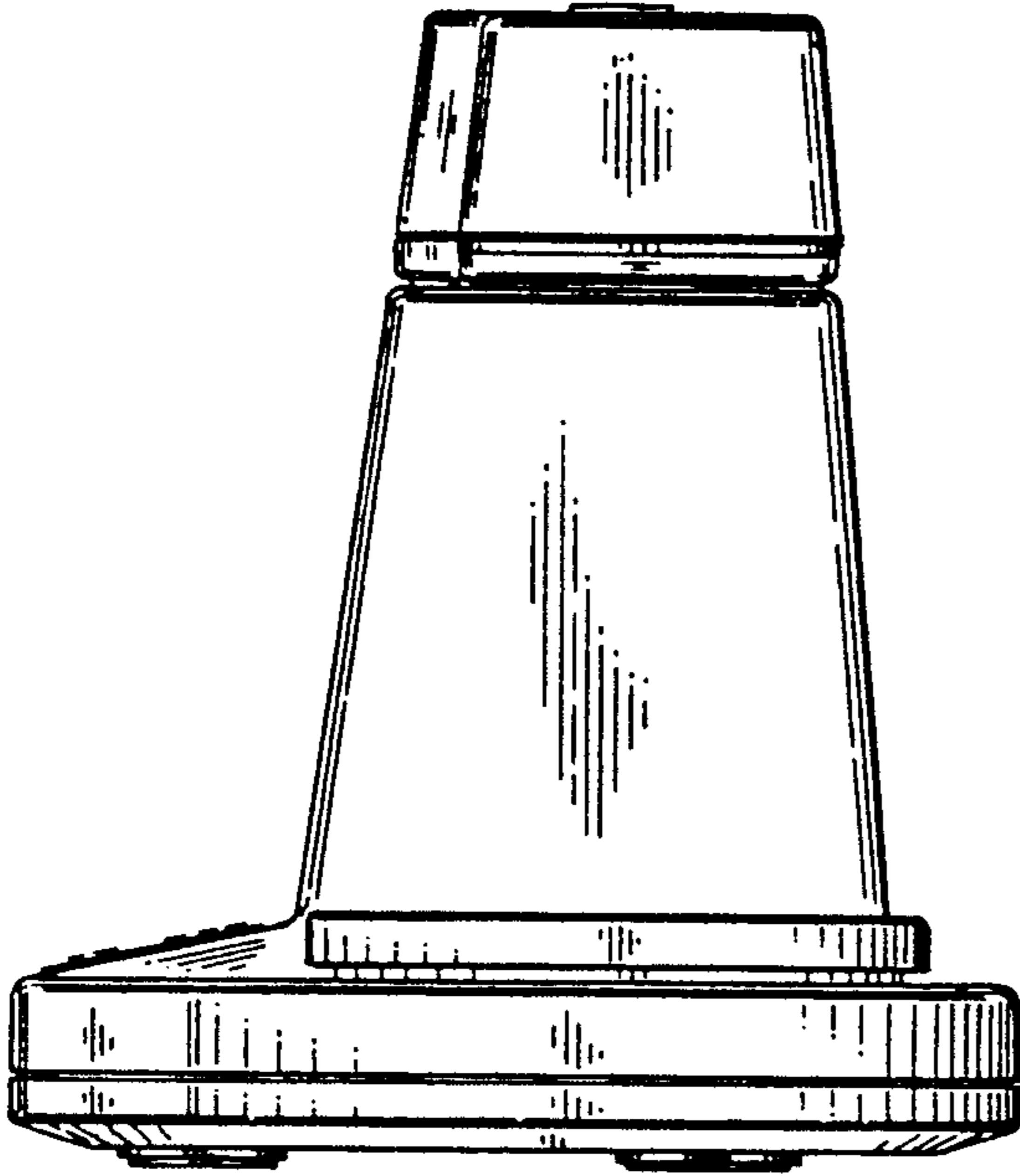


FIG. 5

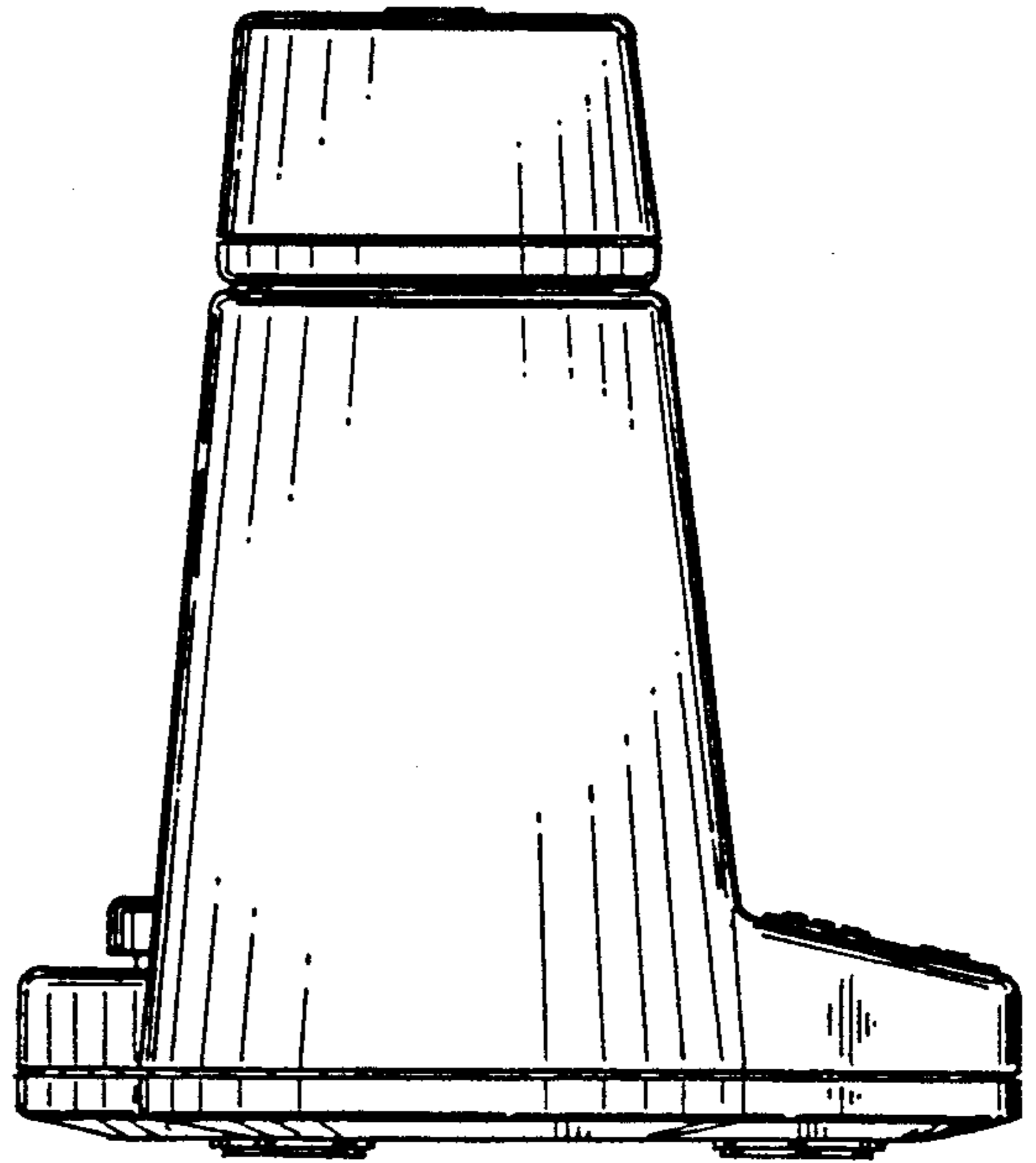


FIG. 6

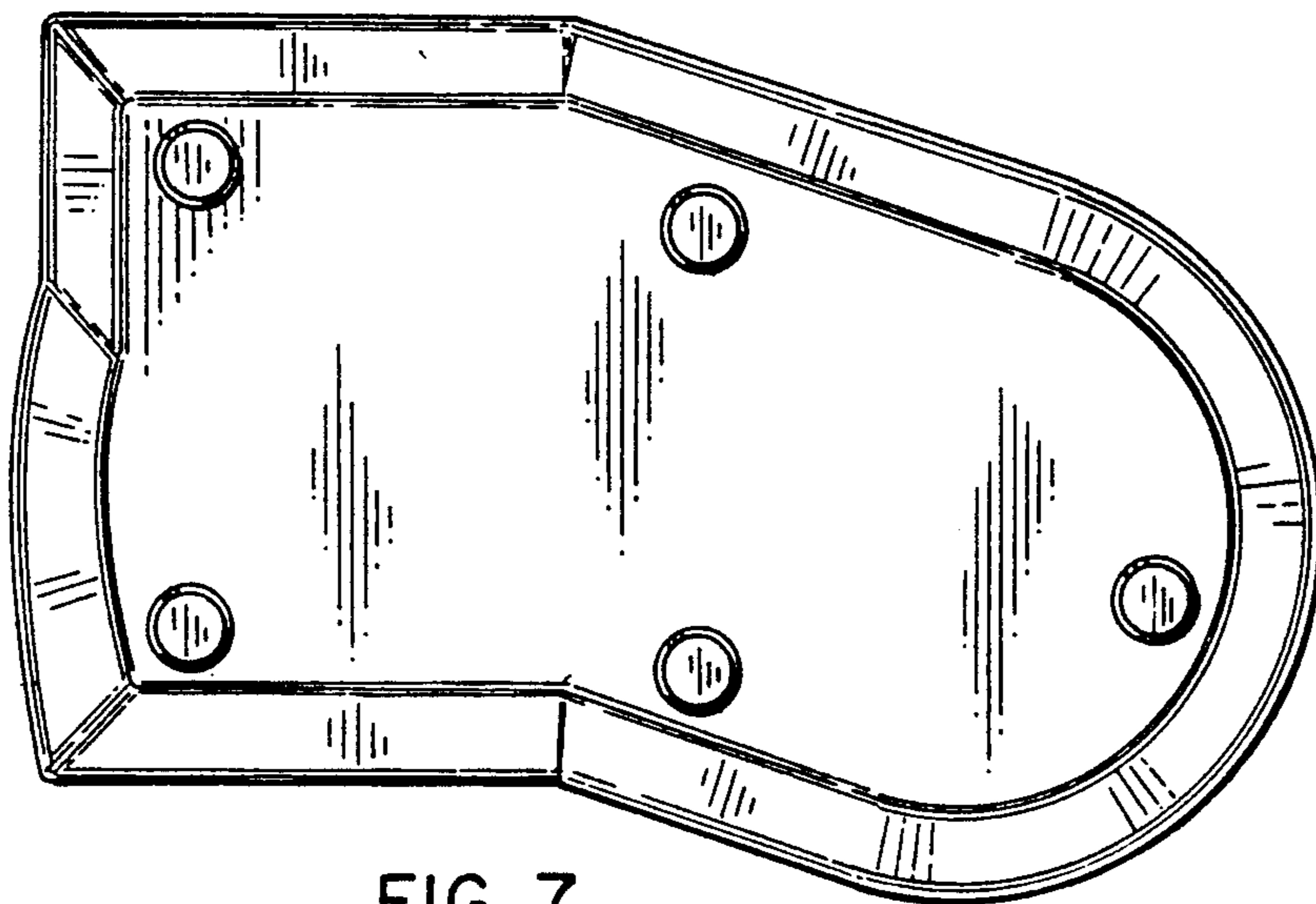


FIG. 7