

# United States Patent [19]

Jenney

[11] Patent Number: Des. 315,468

[45] Date of Patent: \*\* Mar. 19, 1991

[54] PILLOW

[76] Inventor: Stoddard Jenney, 1010 Waltham St.,  
Lexington, Mass. 02173

[\*\*] Term: 14 Years

[21] Appl. No.: 334,394

[22] Filed: Apr. 7, 1989

[52] U.S. Cl. .... D6/601

[58] Field of Search ..... D6/601, 604, 595-596;  
5/431-432, 434, 436, 443

4,031,578	6/1977	Sweeney et al. ....	D6/601 X
4,259,757	4/1981	Watson .....	5/434
4,393,530	7/1983	Stark .....	5/437
4,596,384	6/1986	Blosser .....	5/431 X

Primary Examiner—Wallace R. Burke  
Assistant Examiner—Brian N. Vinson  
Attorney, Agent, or Firm—Lahive & Cockfield

### [57] CLAIM

The ornamental design for a pillow, as shown.

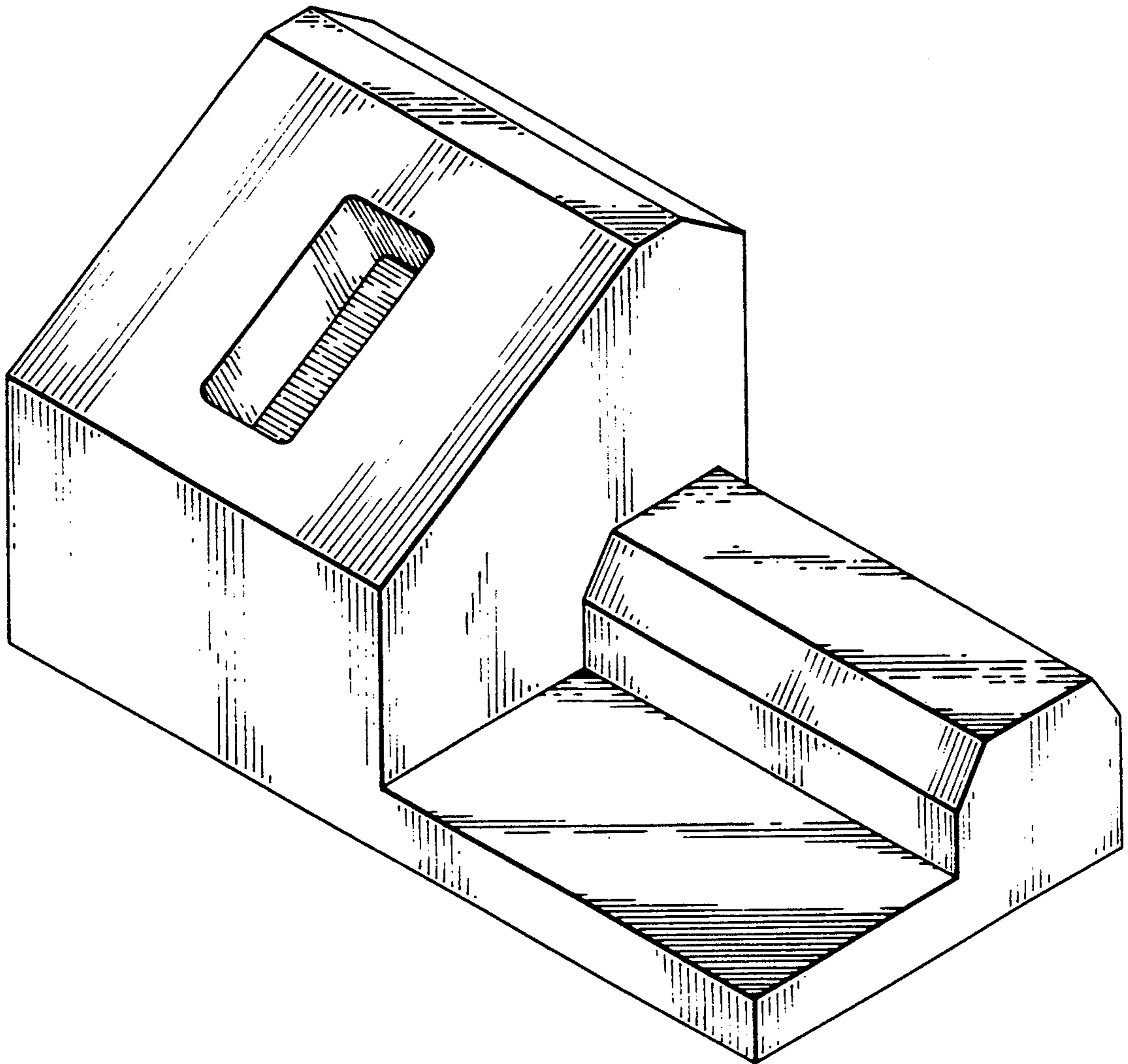
### DESCRIPTION

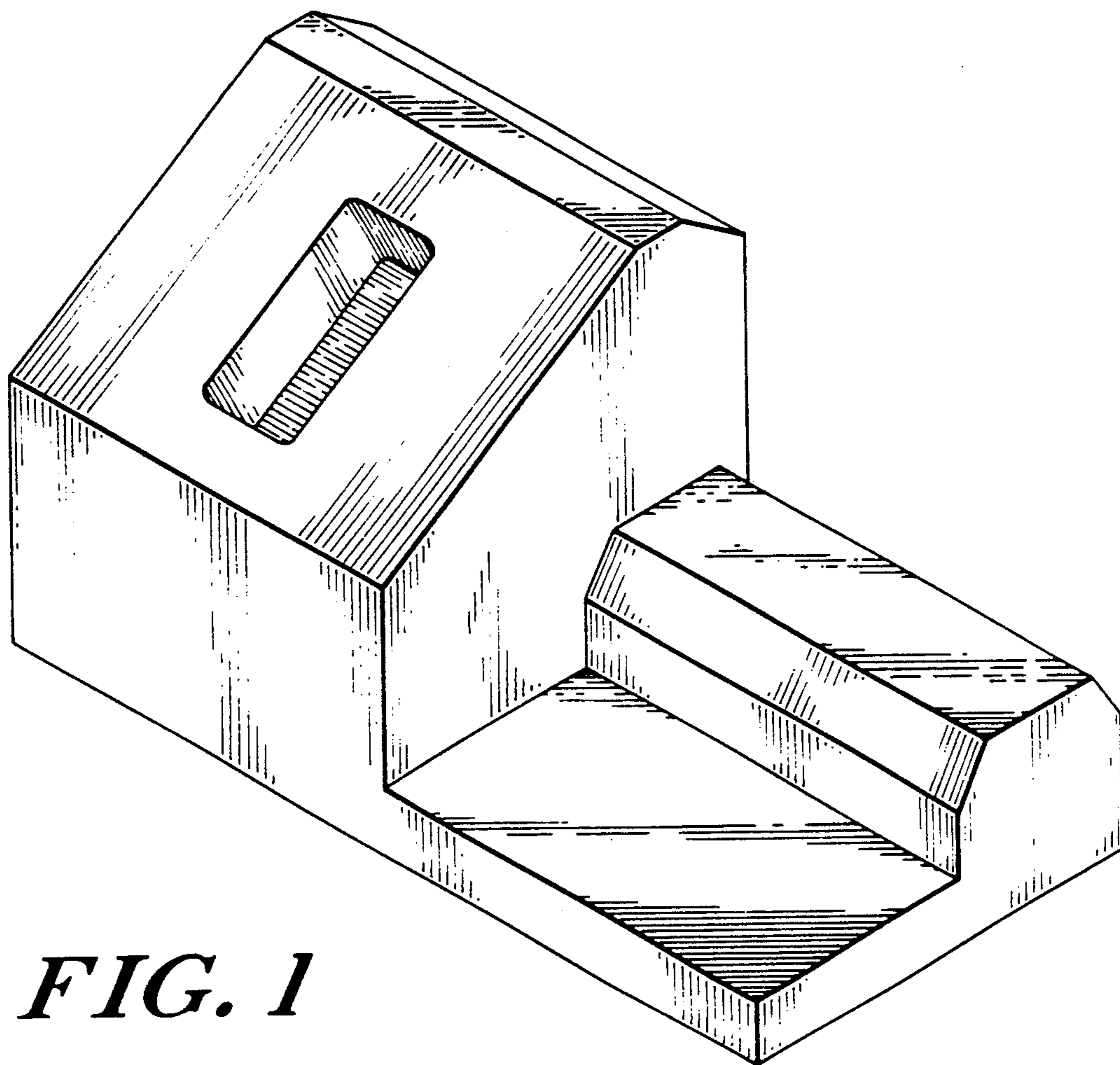
FIG. 1 is a top, front, and right side perspective view of a pillow showing my new design;  
FIG. 2 is a front elevational view thereof;  
FIG. 3 is a top plan view thereof;  
FIG. 4 is a bottom plan view thereof;  
FIG. 5 is a rear elevational view thereof;  
FIG. 6 is a left side elevational view thereof; and  
FIG. 7 is a right side elevational view thereof.

### [56] References Cited

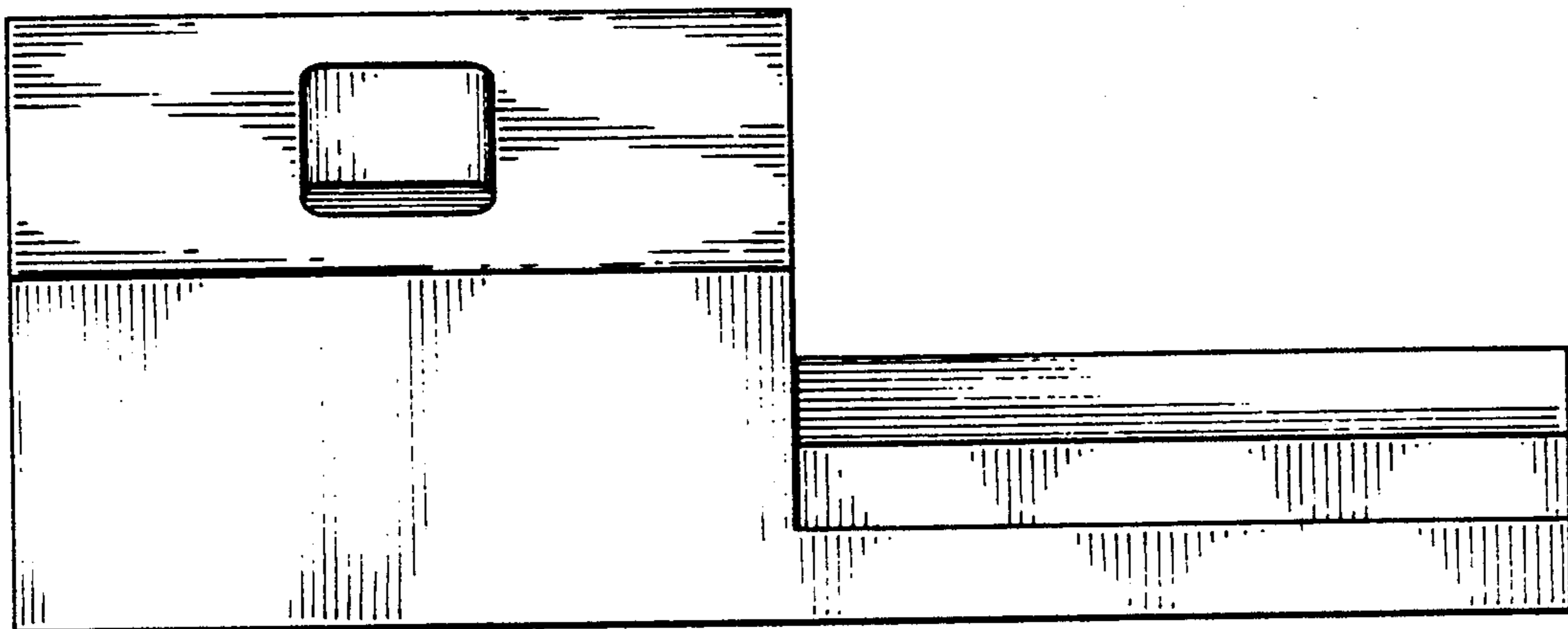
#### U.S. PATENT DOCUMENTS

D. 242,388	11/1976	Castleberry .....	D6/596 X
D. 271,834	12/1983	Huntsinger .....	D6/601
D. 299,297	1/1989	Prager .....	D6/596 X
D. 308,455	6/1990	Jenney .....	D6/601
D. 309,542	7/1990	Glenn .....	D6/596

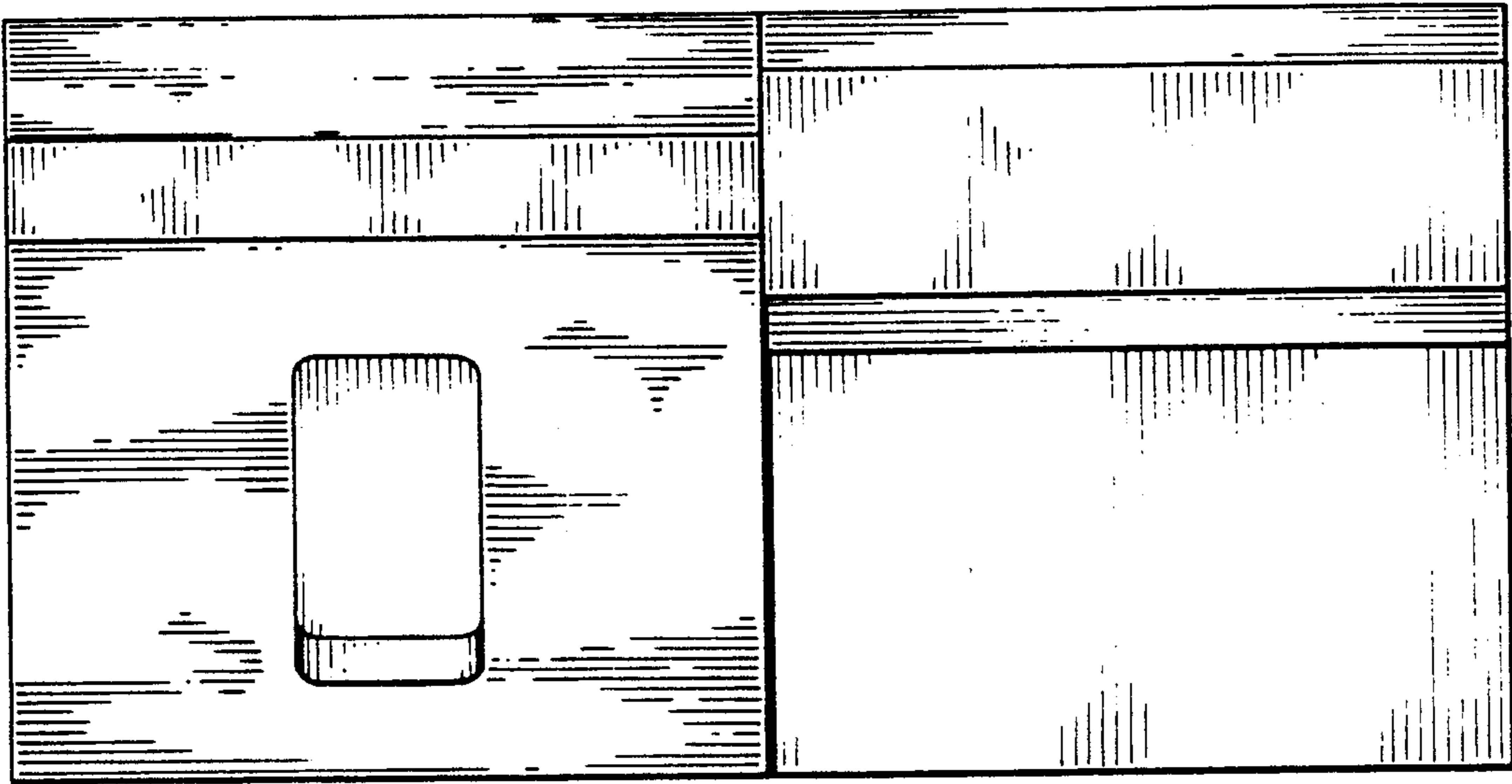




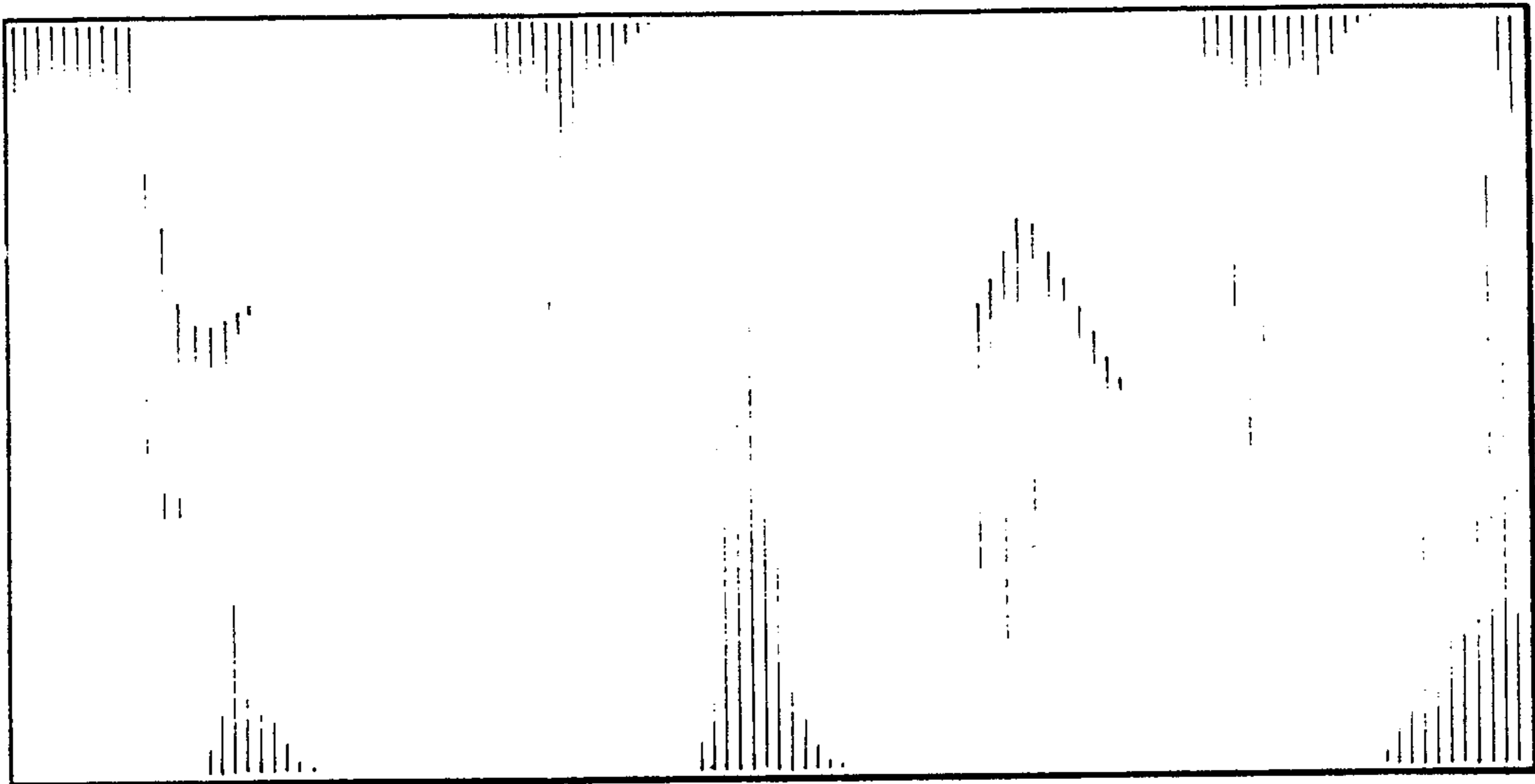
*FIG. 1*



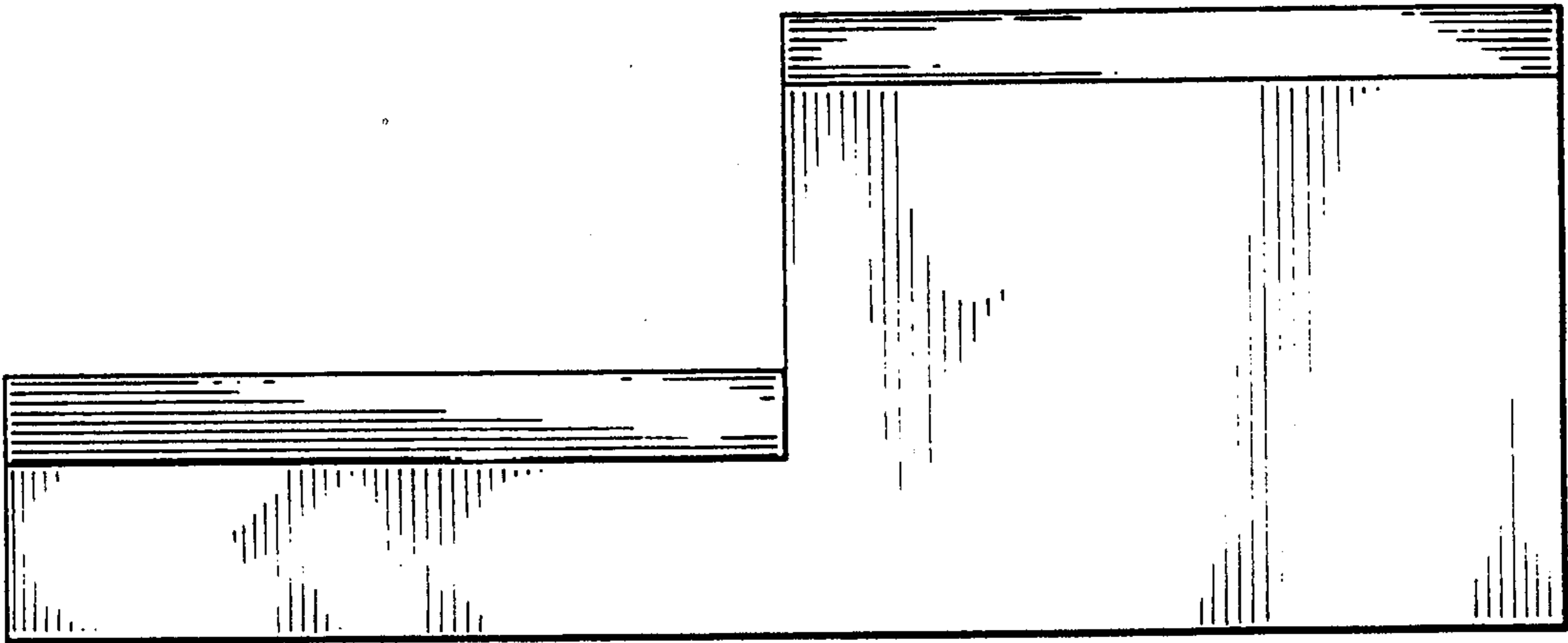
*FIG. 2*



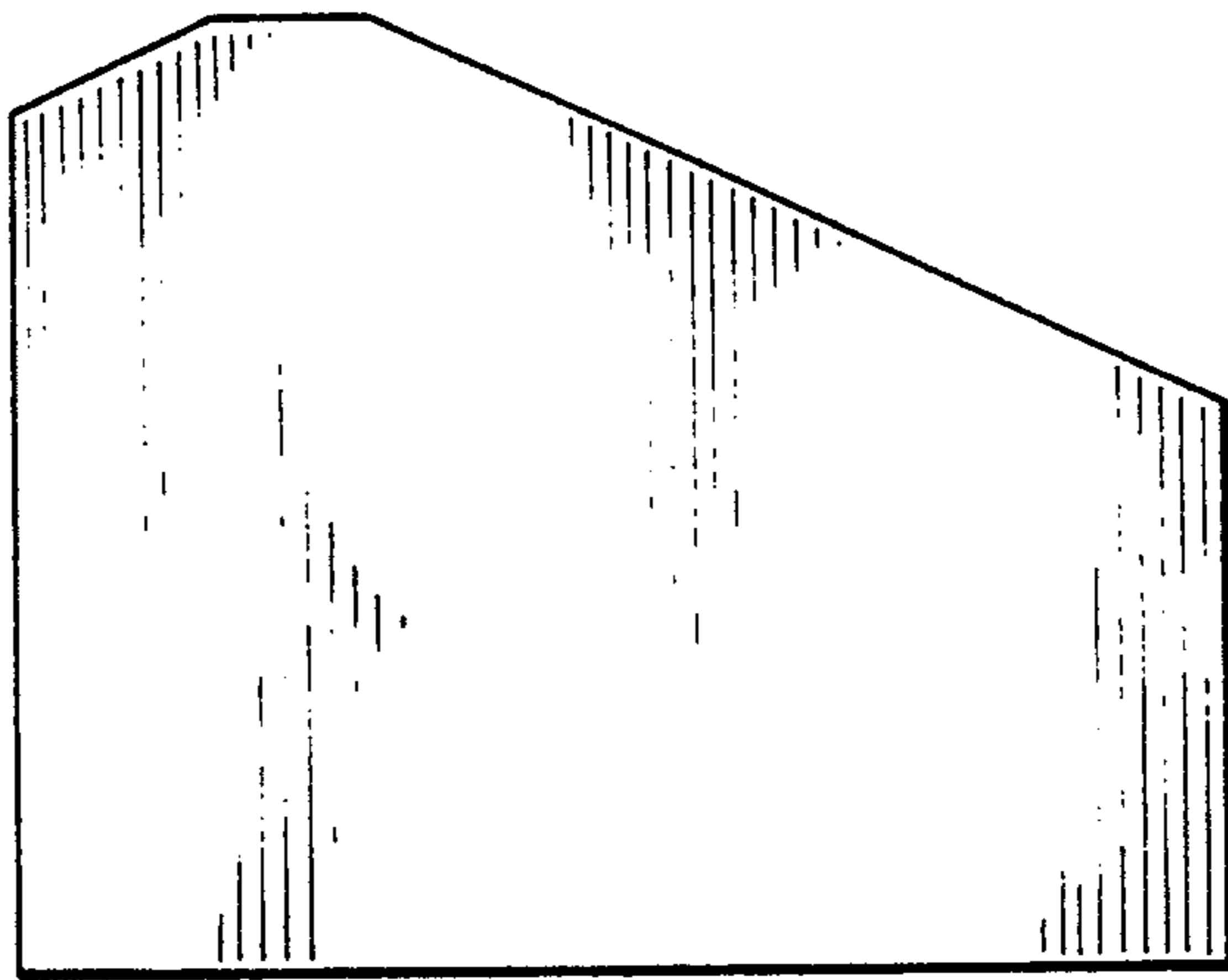
*FIG. 3*



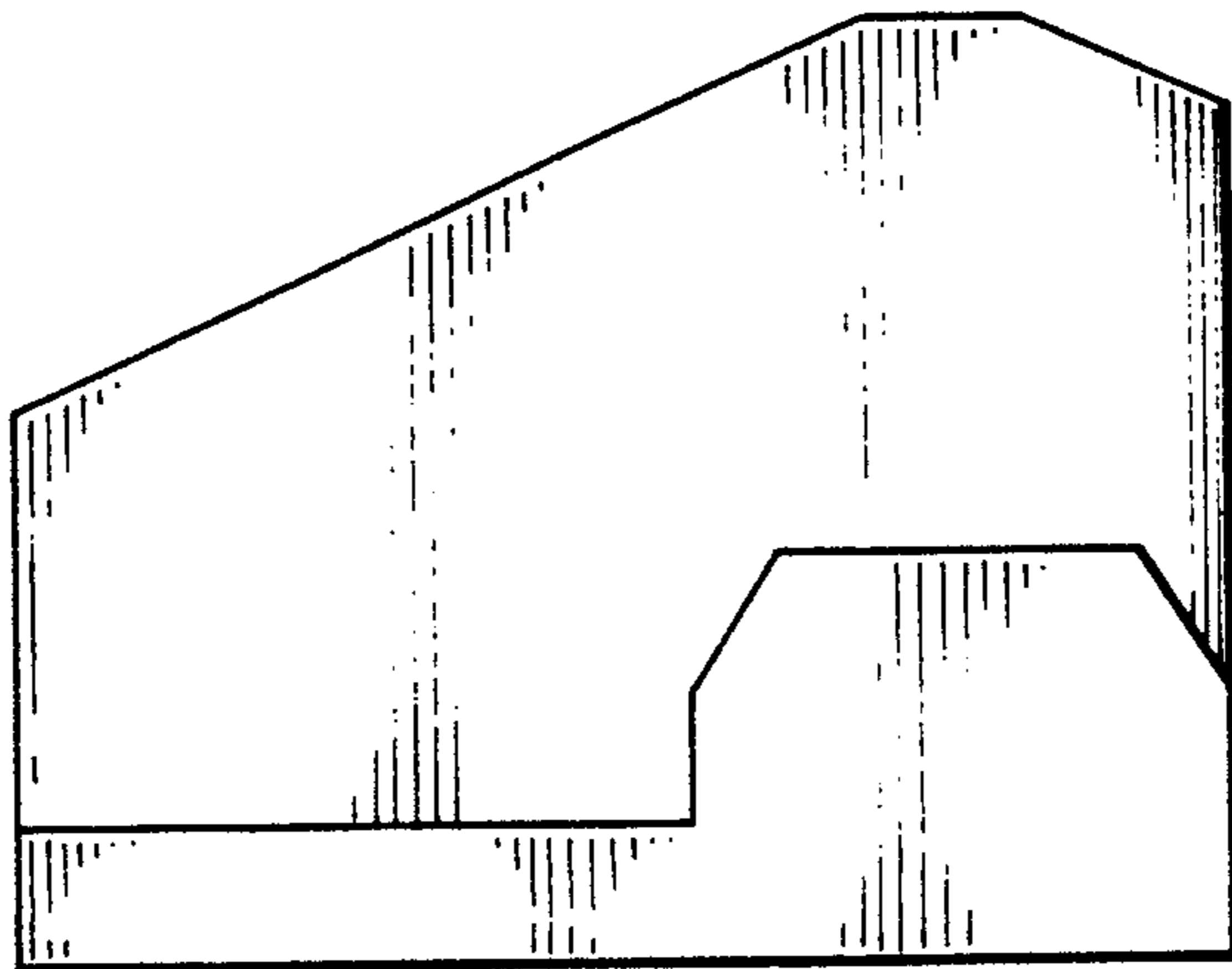
*FIG. 4*



*FIG. 5*



*FIG. 6*



*FIG. 7*