

United States Patent [19]

Berens et al.

[11] Patent Number: **Des. 315,458**

[45] Date of Patent: **** Mar. 19, 1991**

[54] **BULK PRODUCT DISPLAY CASE**

[76] Inventors: **Martin Berens**, 3023 Dannyhill Dr., Los Angeles, Calif. 90064; **Irwin M. Barr**, 3200 S. Sepulveda Blvd., Los Angeles, Calif. 90034

[**] Term: **14 Years**

[21] Appl. No.: **115,103**

[22] Filed: **Nov. 2, 1987**

[52] U.S. Cl. **D6/470; D6/408; D6/475**

[58] Field of Search **D6/408, 470, 475, 473, D6/476, 466, 467, 468, 449; D20/1**

[56] **References Cited**

U.S. PATENT DOCUMENTS

- D. 58,071 6/1921 Copeland D6/408
- D. 157,345 2/1950 Cook D6/408

- D. 309,224 7/1990 Rabin D6/408
- 4,130,326 12/1978 Hornblad D6/408 X

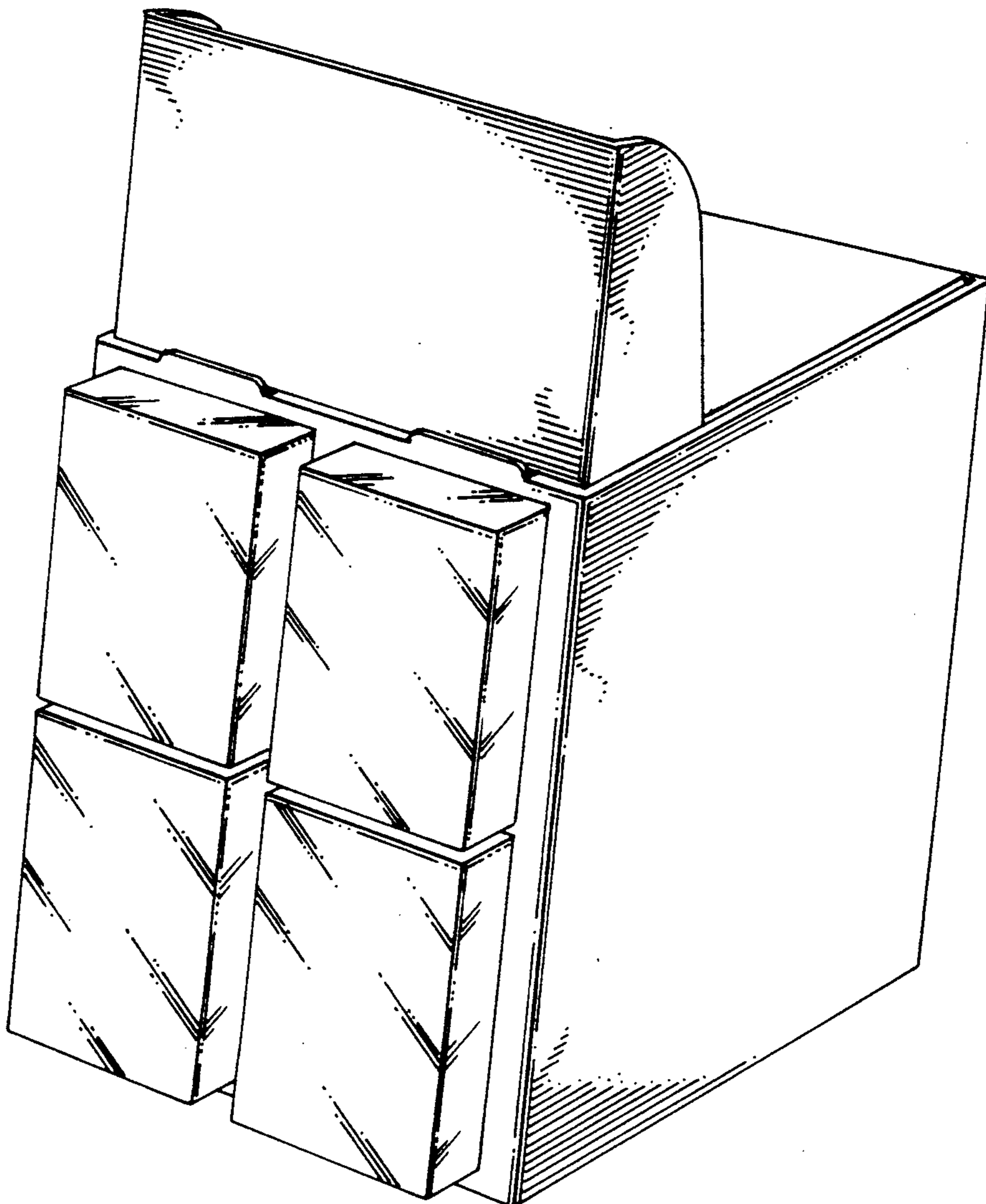
Primary Examiner—Bruce W. Dunkins
Assistant Examiner—Jeffrey Asch
Attorney, Agent, or Firm—Blakely, Sokoloff, Taylor, Zafman

[57] **CLAIM**

The ornamental design for a bulk product display case, as shown.

DESCRIPTION

FIG. 1 is a perspective view of a bulk product display case showing our new design;
FIG. 2 is a top plan view thereof;
FIG. 3 is a front elevational view thereof;
FIG. 4 is a right side elevational view thereof;
FIG. 5 is a left side elevational view thereof;
FIG. 6 is a rear elevational view thereof; and
FIG. 7 is a bottom plan view thereof.



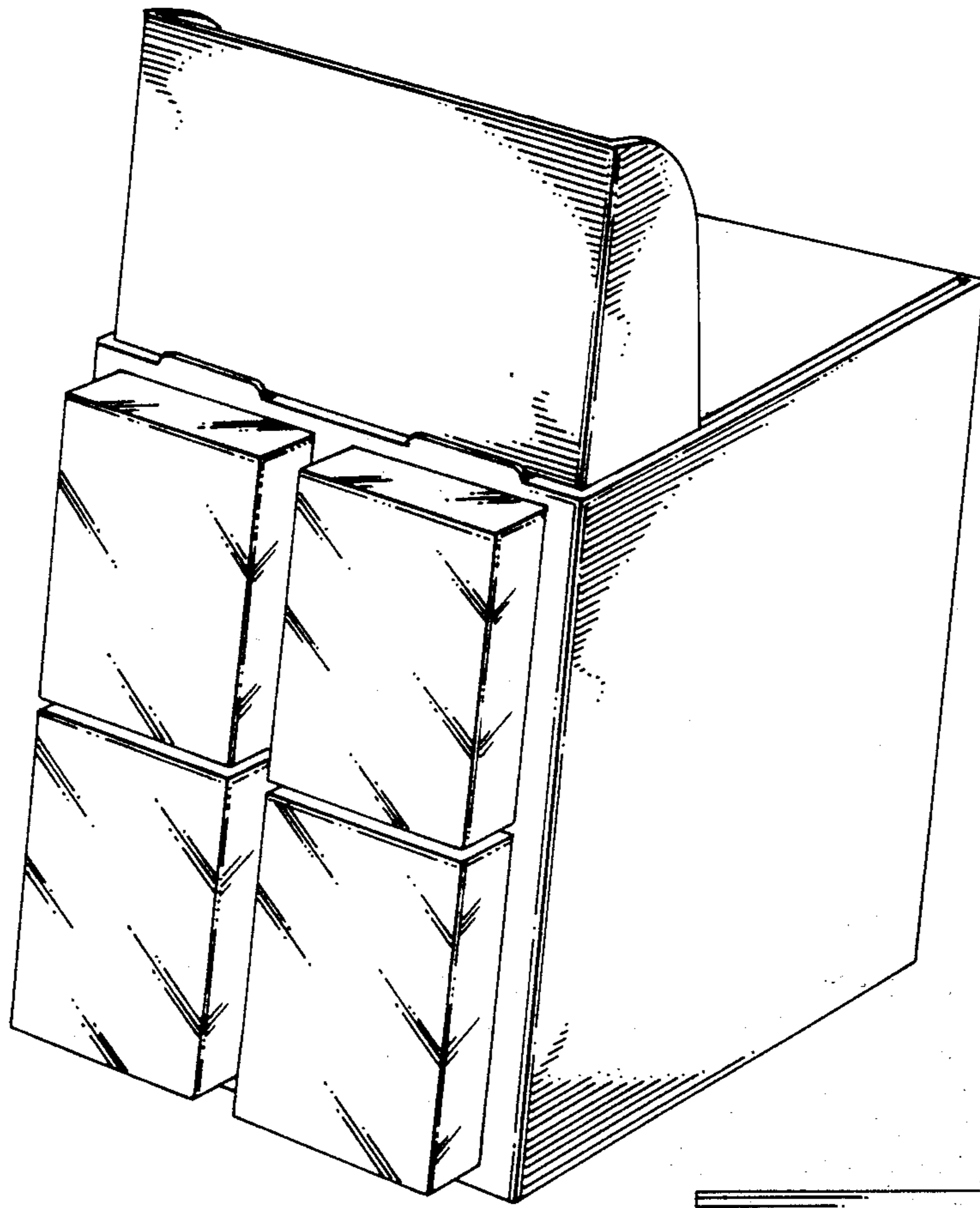


Fig. 1

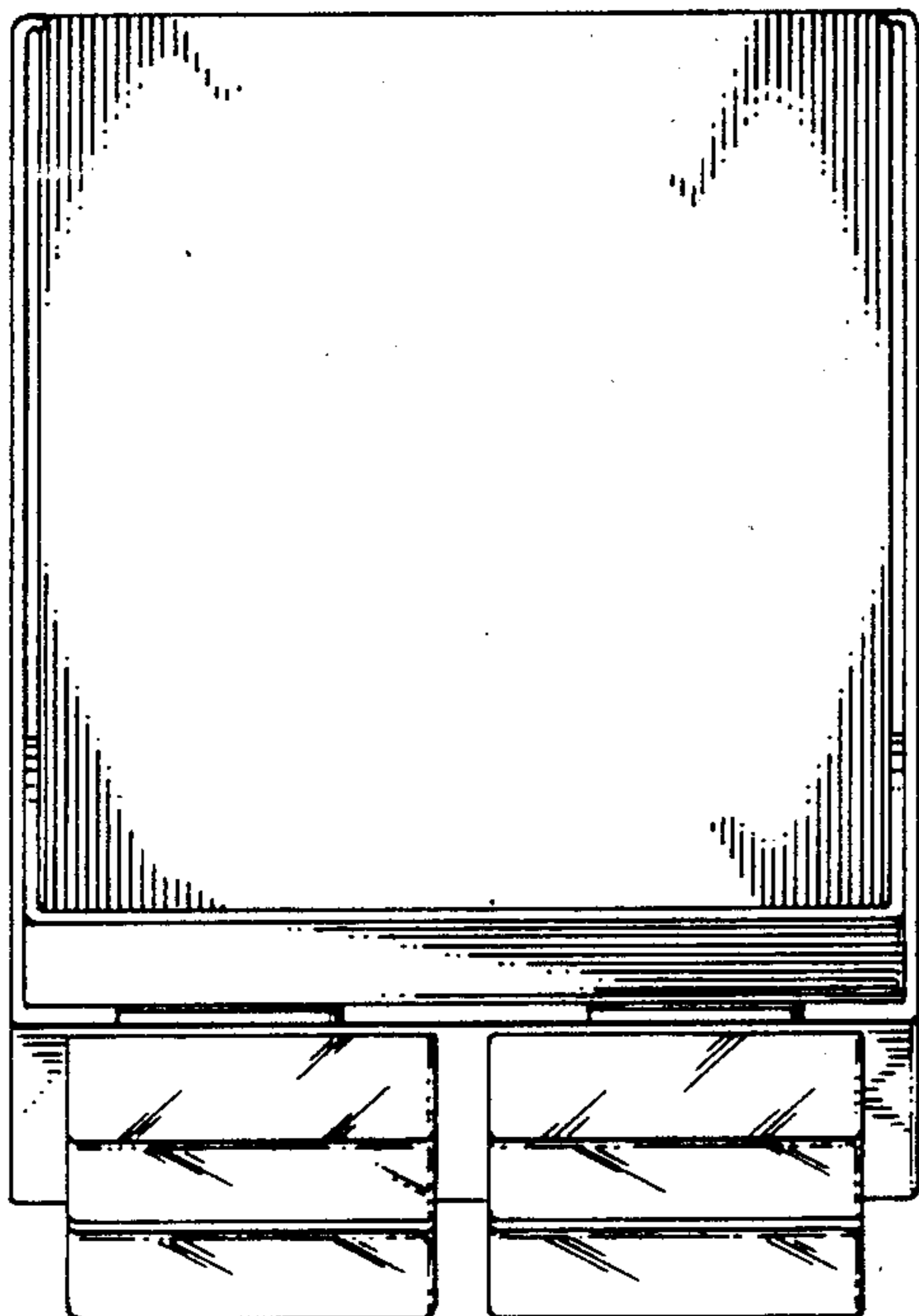


Fig. 2

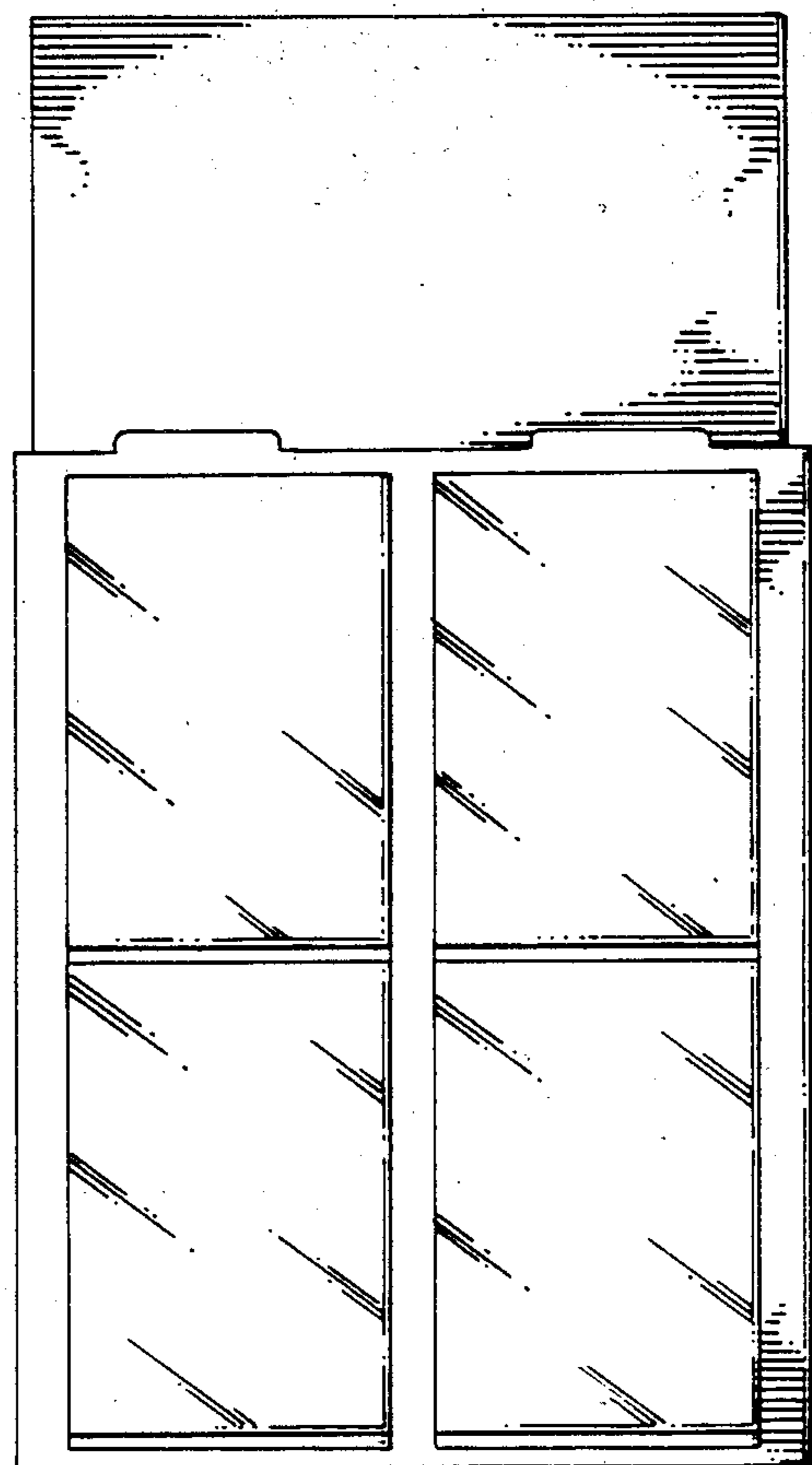


Fig. 3

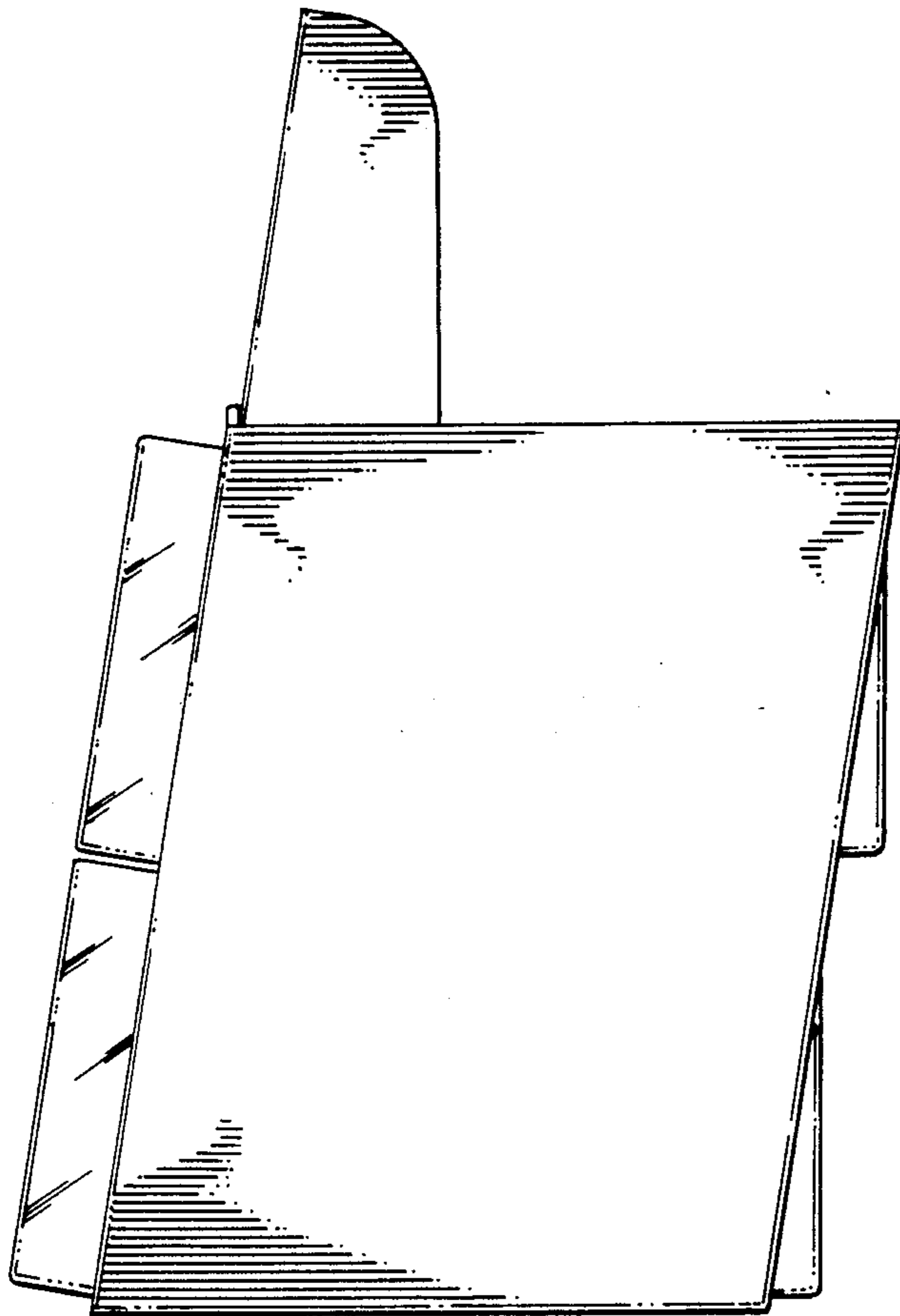
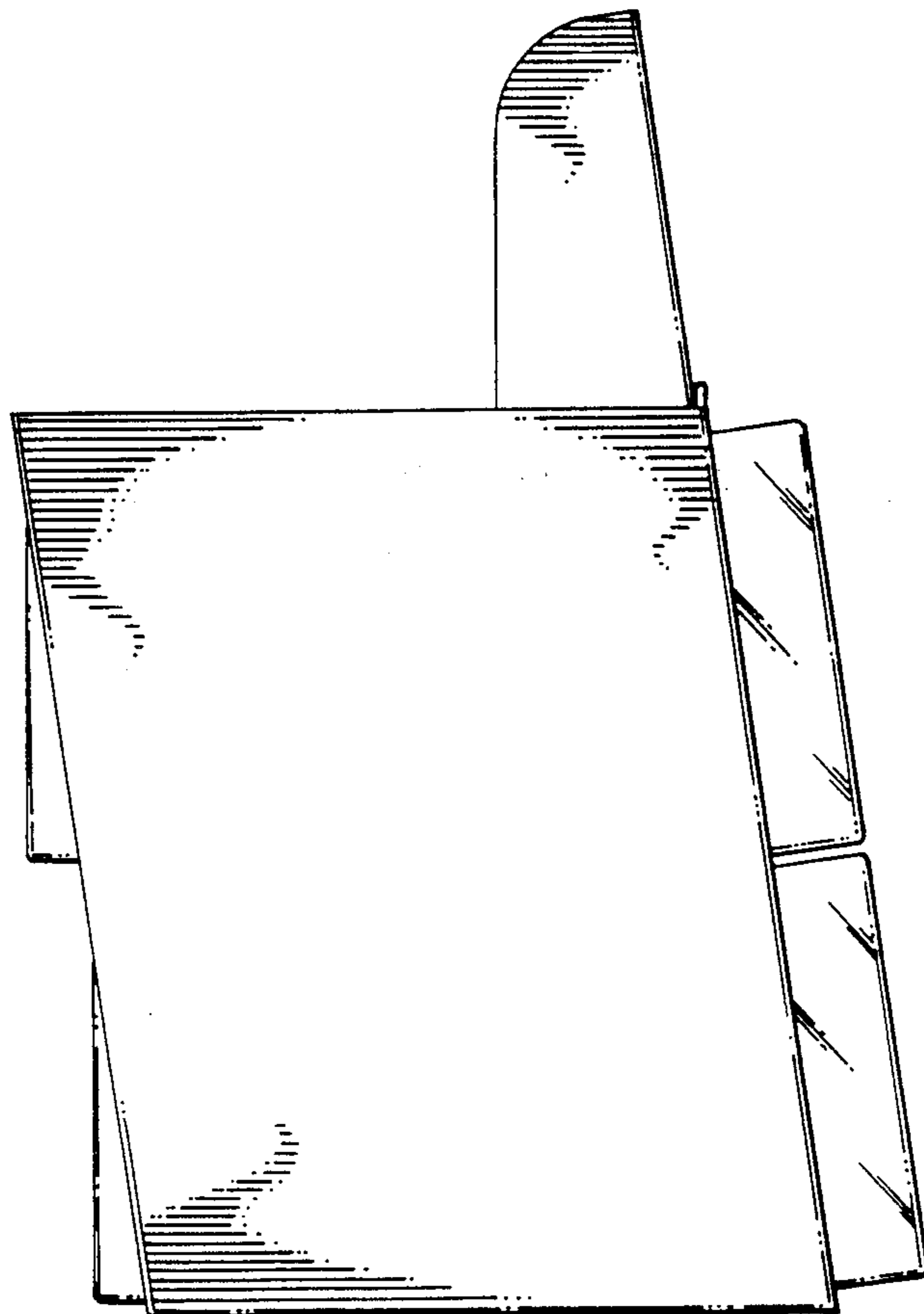


Fig. 4

Fig. 5



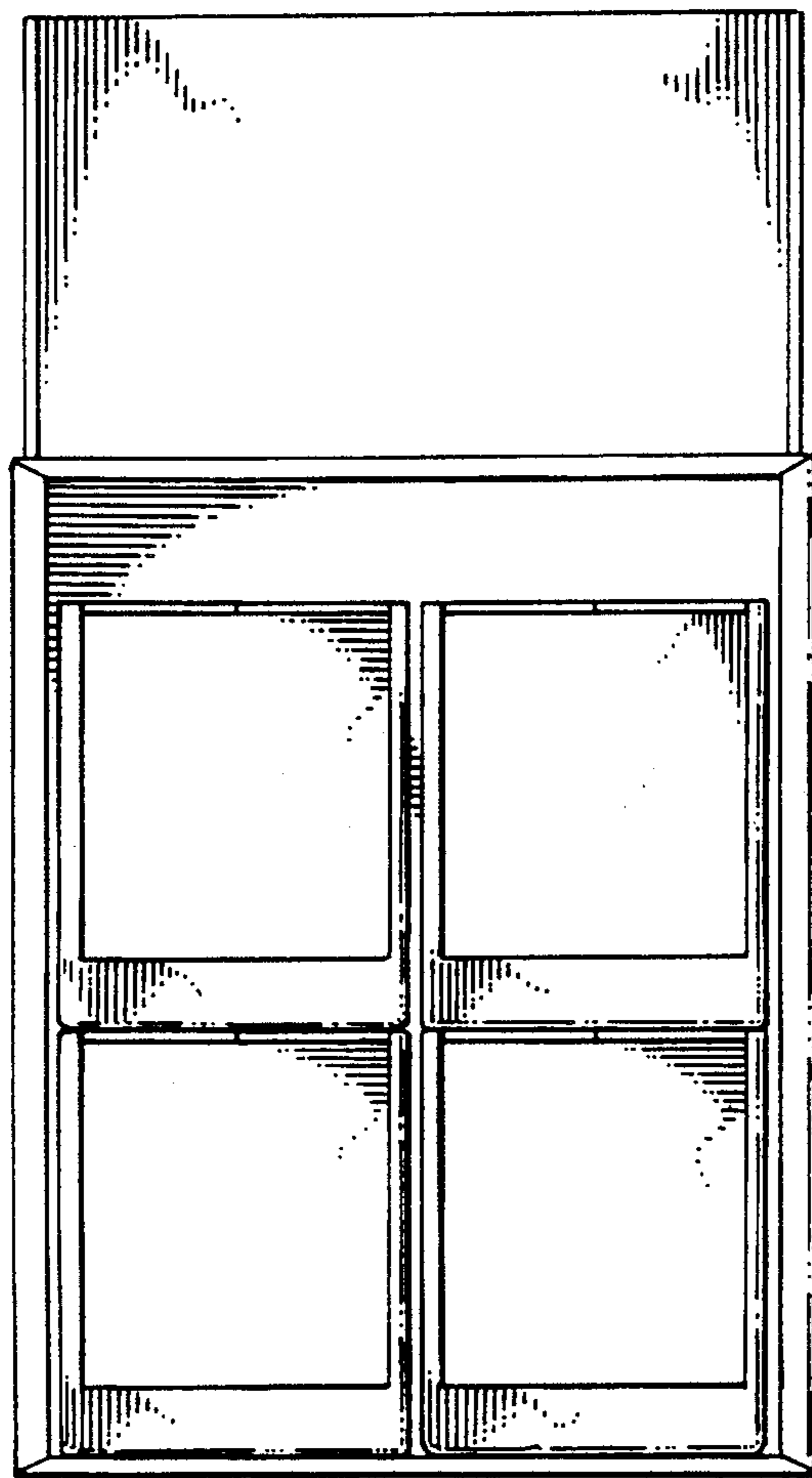


Fig. 6

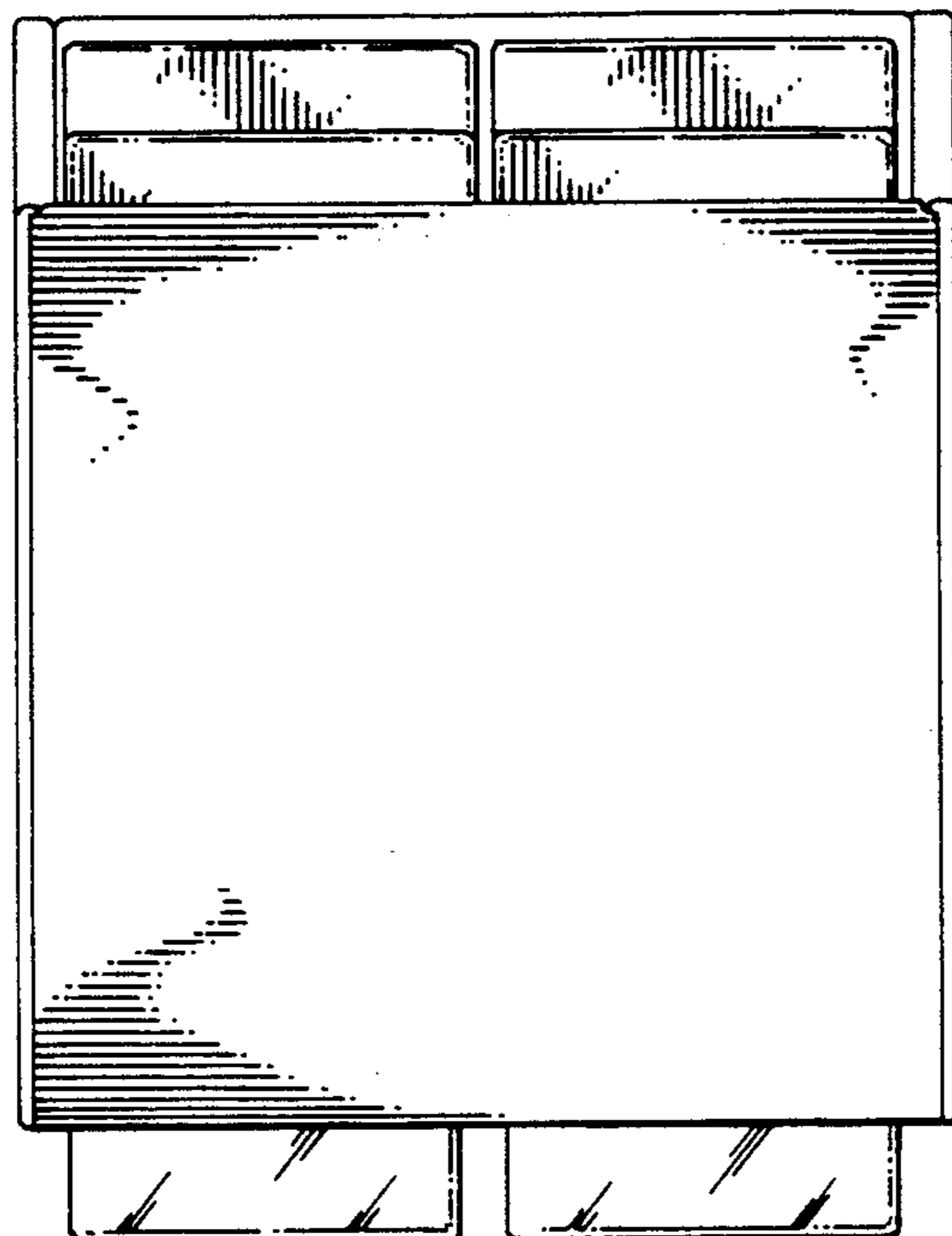


Fig. 7