

[54] COMBINATION PLURAL SWING SEAT AND TABLE UNIT

[76] Inventor: Jean-Paul Vallee, 255 N. Elcielo Rd., #472, Palm Springs, Calif. 92262

[**] Term: 14 Years

[21] Appl. No.: 939,445

[22] Filed: Dec. 8, 1986

[52] U.S. Cl. D6/337; D6/346; D6/370

[58] Field of Search D6/335, 336, 337, 344, D6/346, 347; 297/157

[56] References Cited

U.S. PATENT DOCUMENTS

- D. 139,181 10/1944 Mock D6/346
- D. 241,893 10/1976 Cavic D6/337
- D. 259,448 6/1981 Maheu D6/337

- D. 268,549 4/1983 Liu D6/337
- 1,128,709 2/1915 Miesner 297/157

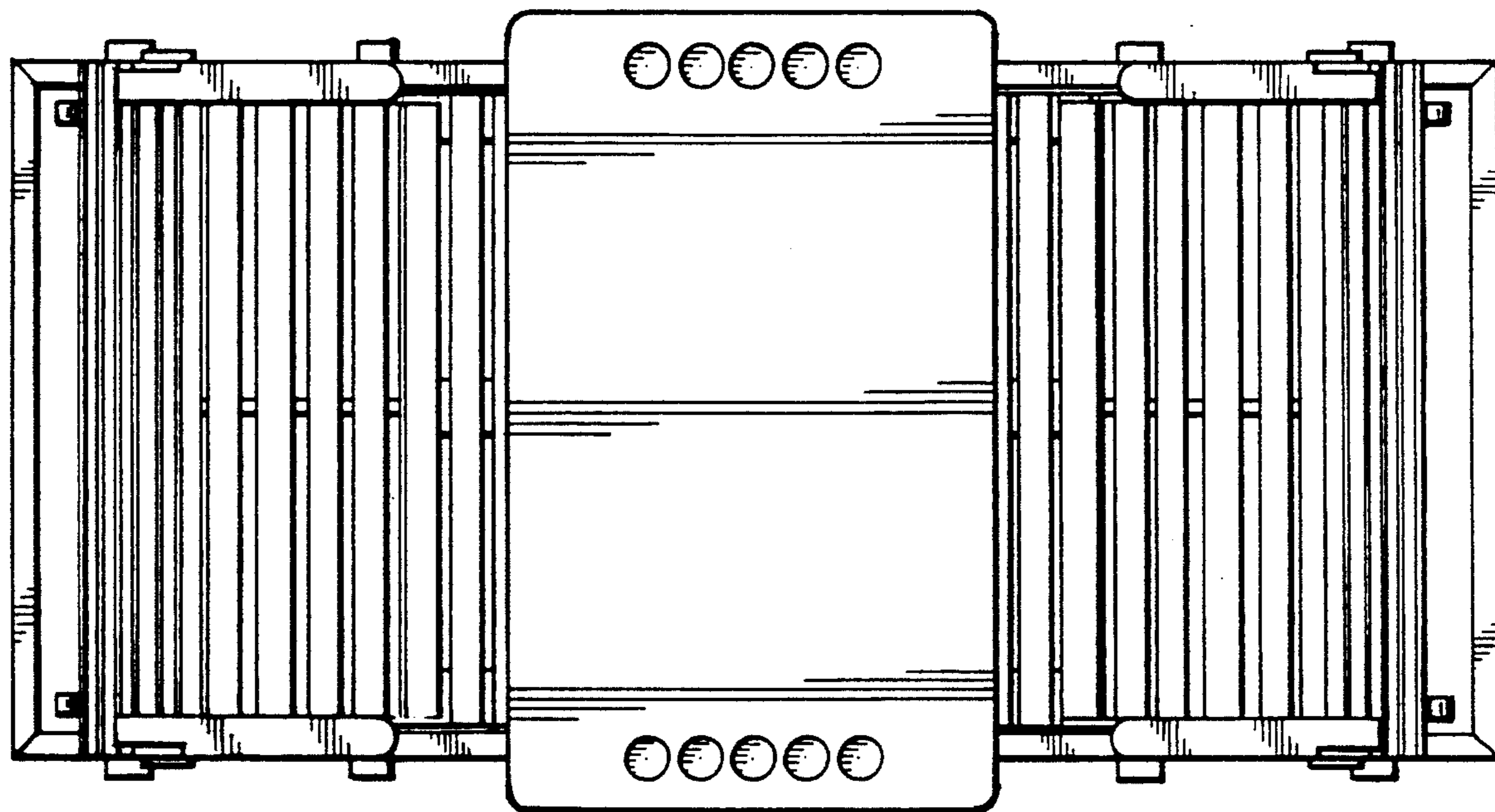
Primary Examiner—Bruce W. Dunkins
Assistant Examiner—Ann Hunt
Attorney, Agent, or Firm—Boniard I. Brown

[57] CLAIM

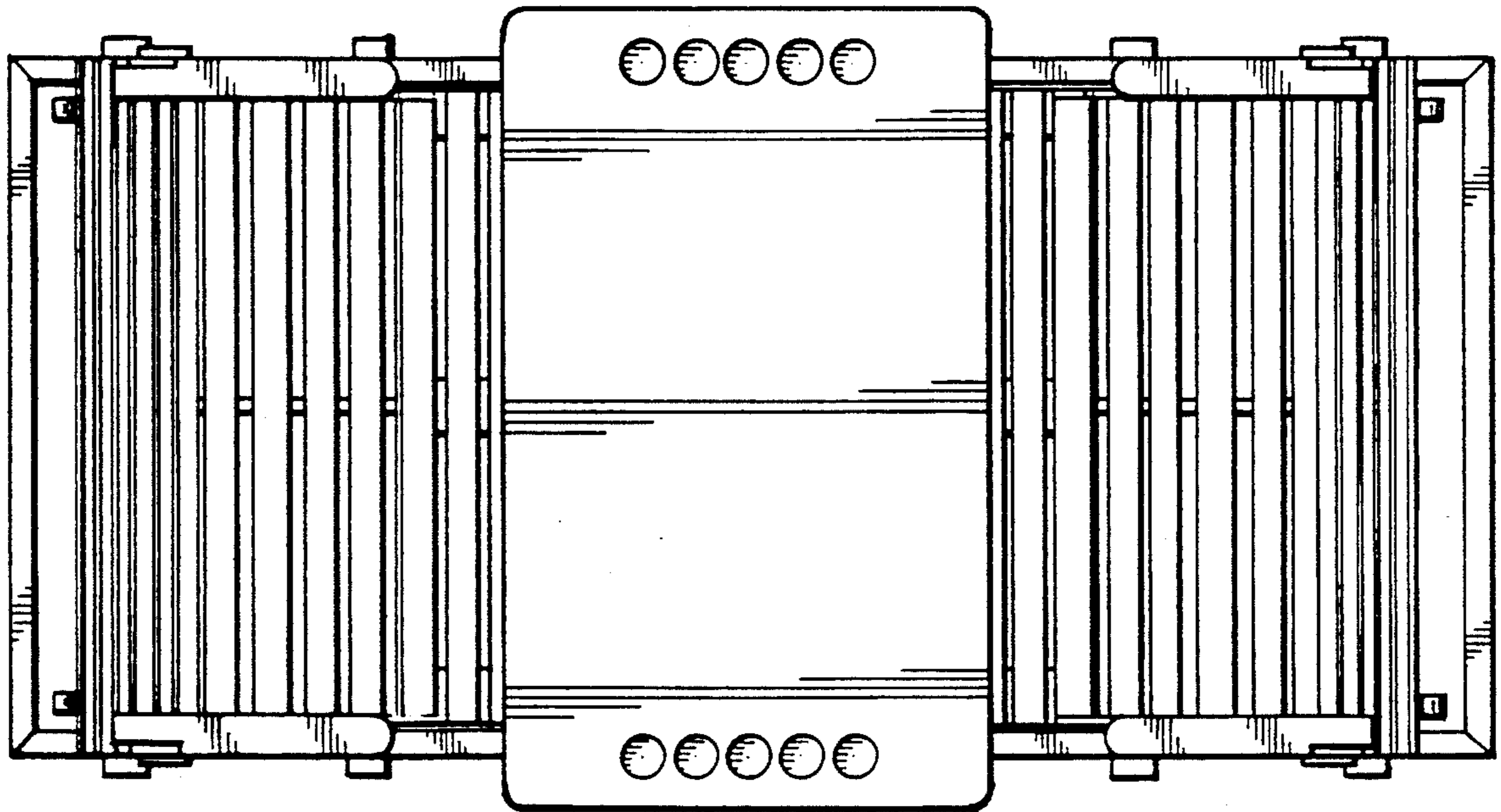
The ornamental design for a combination plural swing seat and table unit, as shown and described.

DESCRIPTION

FIG. 1 is a top plan view of a combination plural swing seat and table unit showing my new design; FIG. 2 is a side elevational view thereof, the opposite side being a mirror image thereof; FIG. 3 is a bottom plan view thereof; FIG. 4 is an end elevational view thereof, the opposite end view being a mirror image thereof; and FIG. 5 is a perspective view thereof.



FIG—1



FIG—2

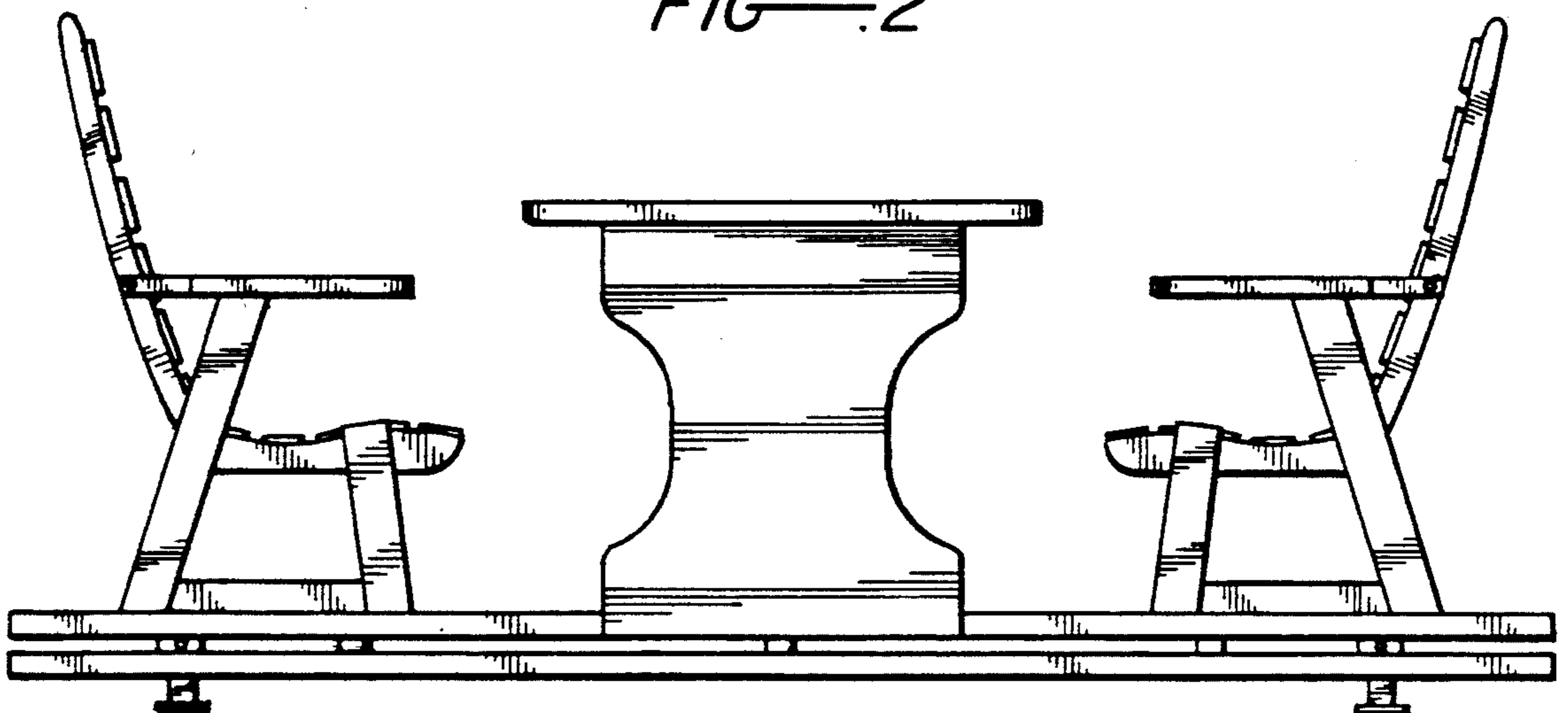


FIG-3

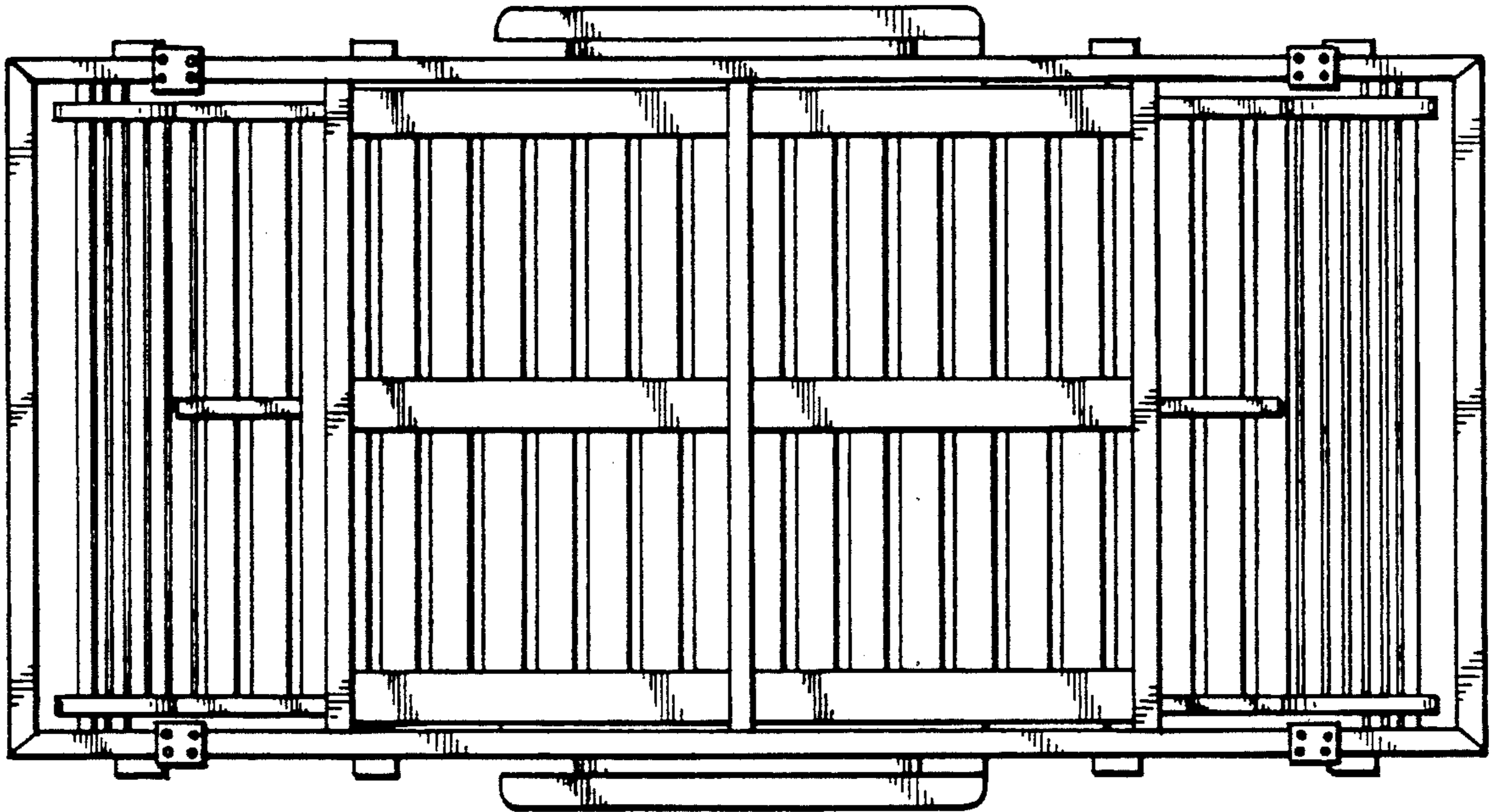


FIG-4

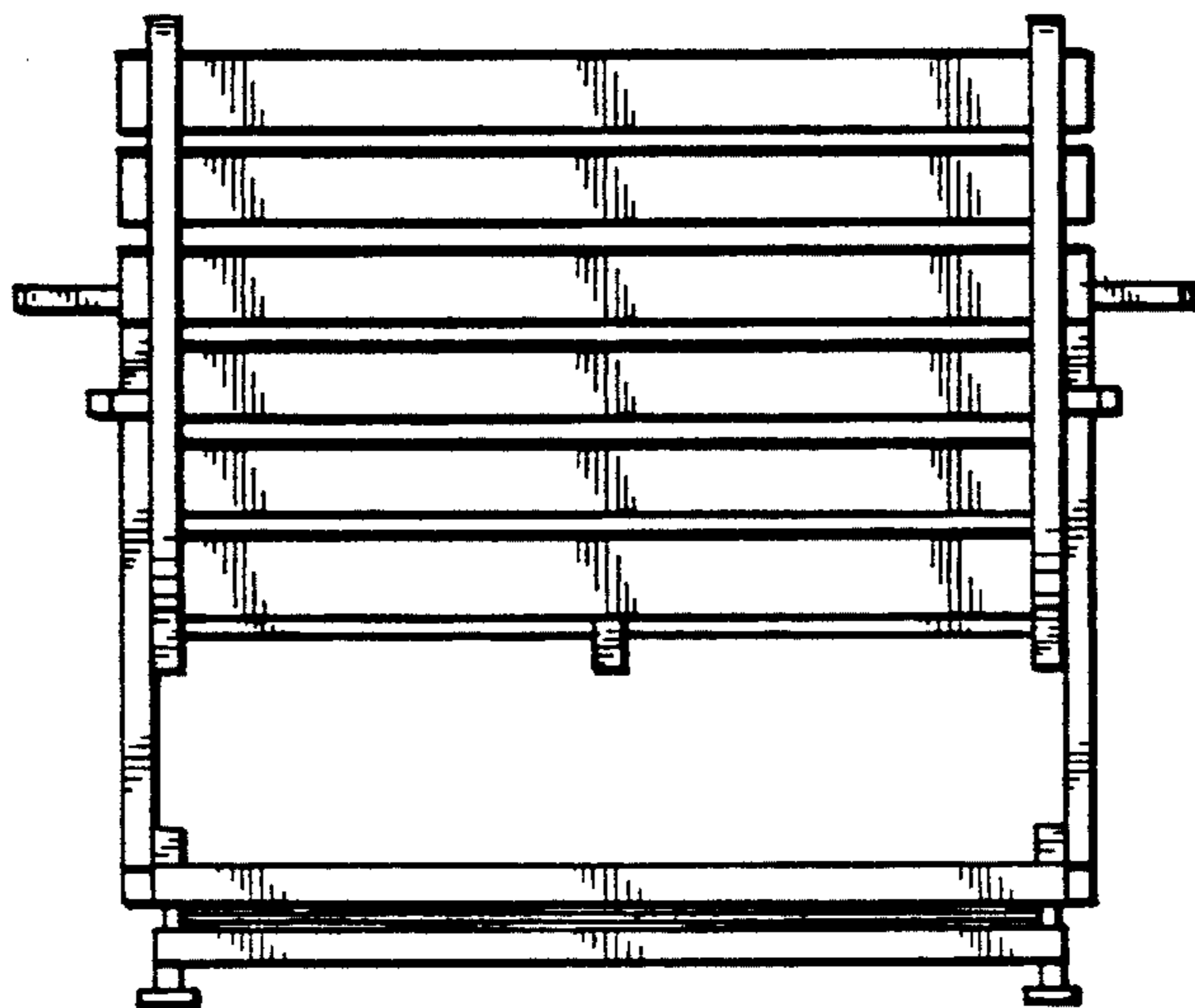


FIG. 5

