

[54] COFFEE DECANTER

[75] Inventors: Arthur H. Bunn, Springfield; Frank J. Lang, Lemont, both of Ill.

[73] Assignee: Bunn-O-Matic Corporation, Springfield, Ill.

[\*\*] Term: 14 Years

[21] Appl. No.: 220,116

[22] Filed: Jul. 18, 1988

[52] U.S. Cl. .... D7/318

[58] Field of Search ..... D7/316-319, D7/320-322, 312, 300

[56] References Cited

U.S. PATENT DOCUMENTS

D. 147,959 11/1947 Chapman ..... D7/317

D. 168,584 1/1953 Newman et al. .... D7/317  
D. 175,086 7/1955 Mango ..... D7/318  
D. 192,528 4/1962 Wright ..... D7/317  
D. 259,613 6/1981 Sun ..... D7/318  
3,145,708 8/1964 Fischer ..... D7/312 X

Primary Examiner—Winifred E. Herrmann  
Attorney, Agent, or Firm—Richard Bushnell

[57] CLAIM

The ornamental design for a coffee decanter, as shown and described.

DESCRIPTION

FIG. 1 is a side elevation of a coffee decanter embodying our new design;  
FIG. 2 is a rear elevation thereof;  
FIG. 3 is a front elevation thereof;  
FIG. 4 is a top plan view thereof; and  
FIG. 5 is a bottom plan view thereof.

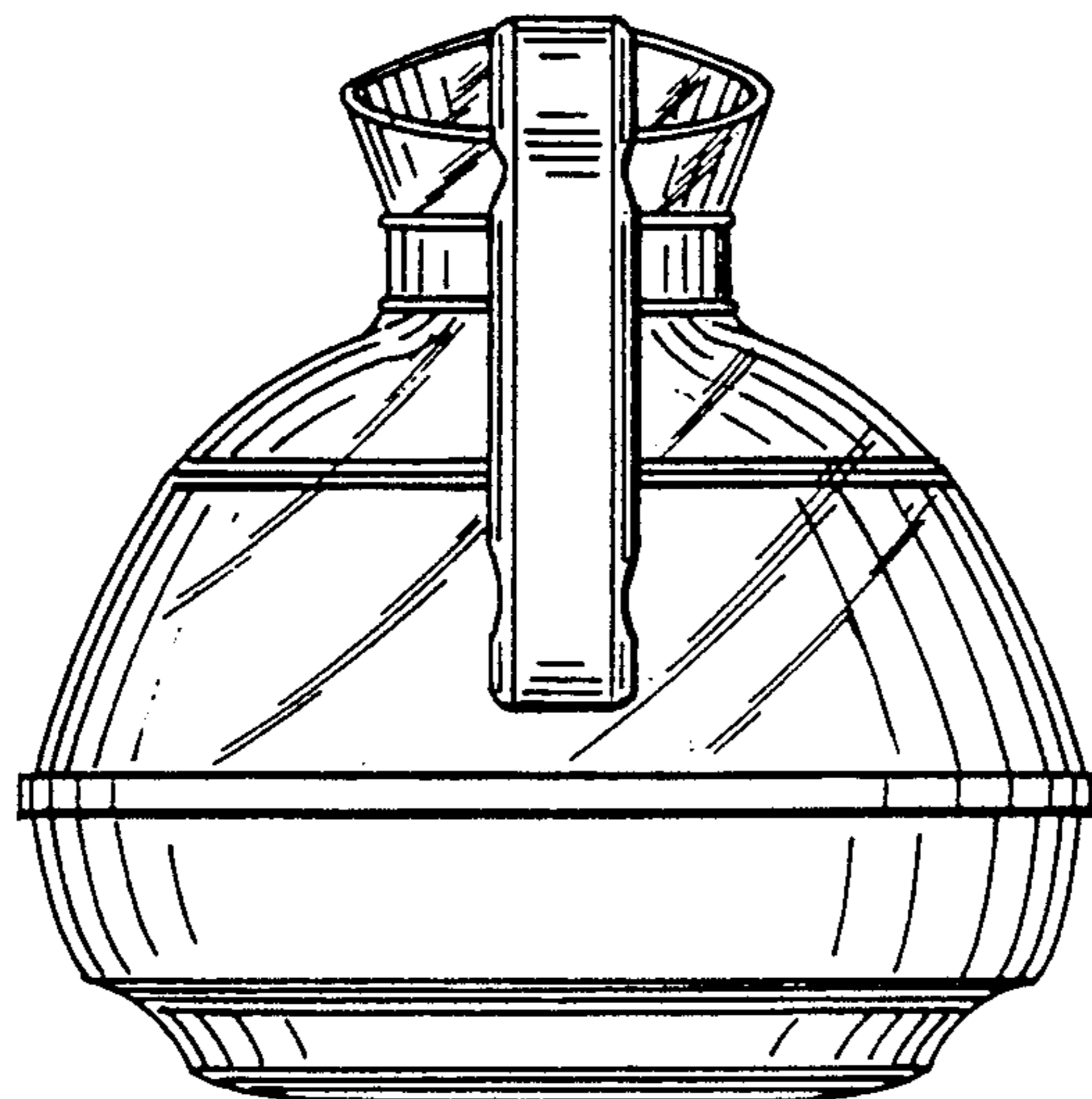
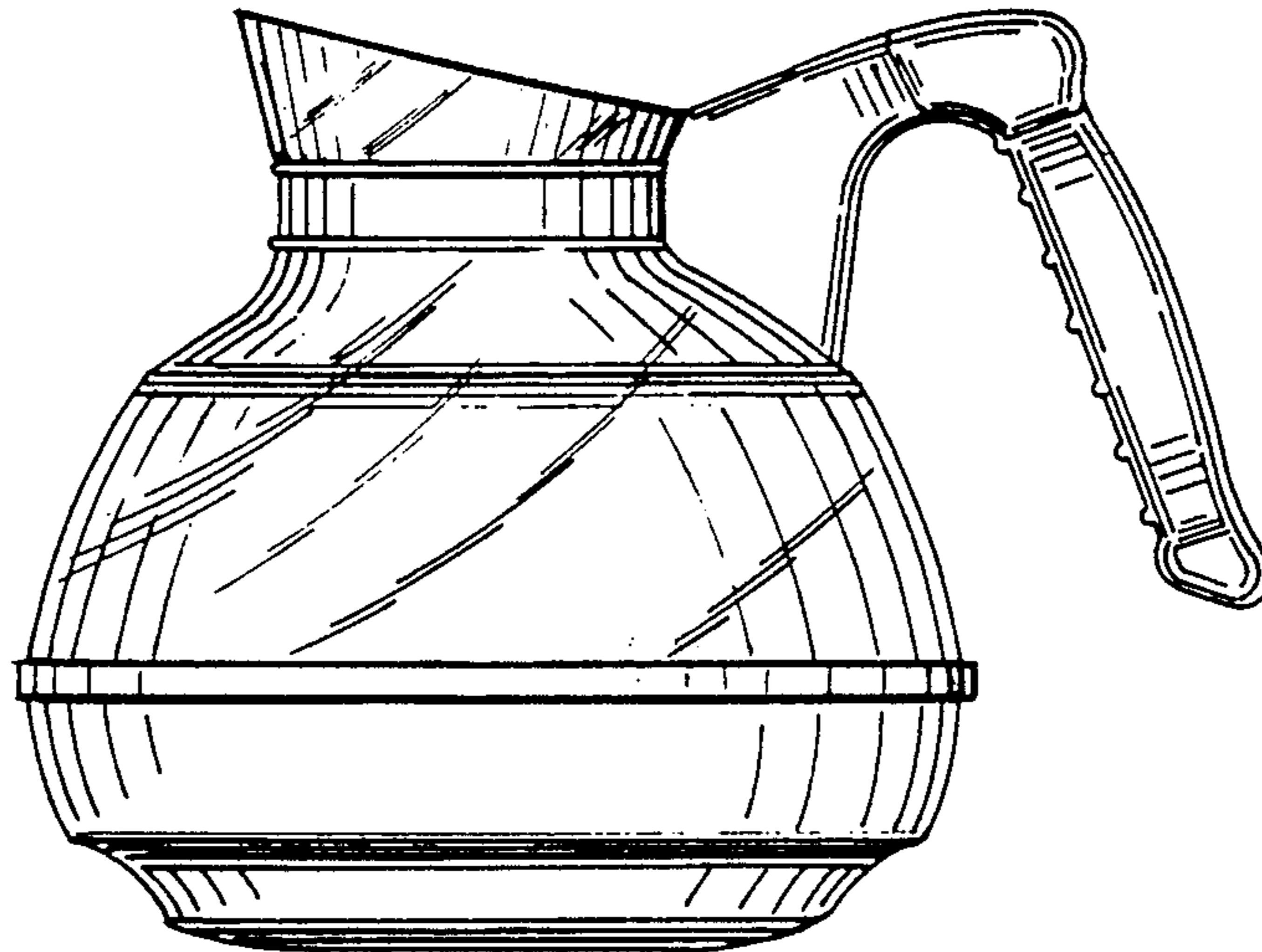


FIG. 1



FIG. 2

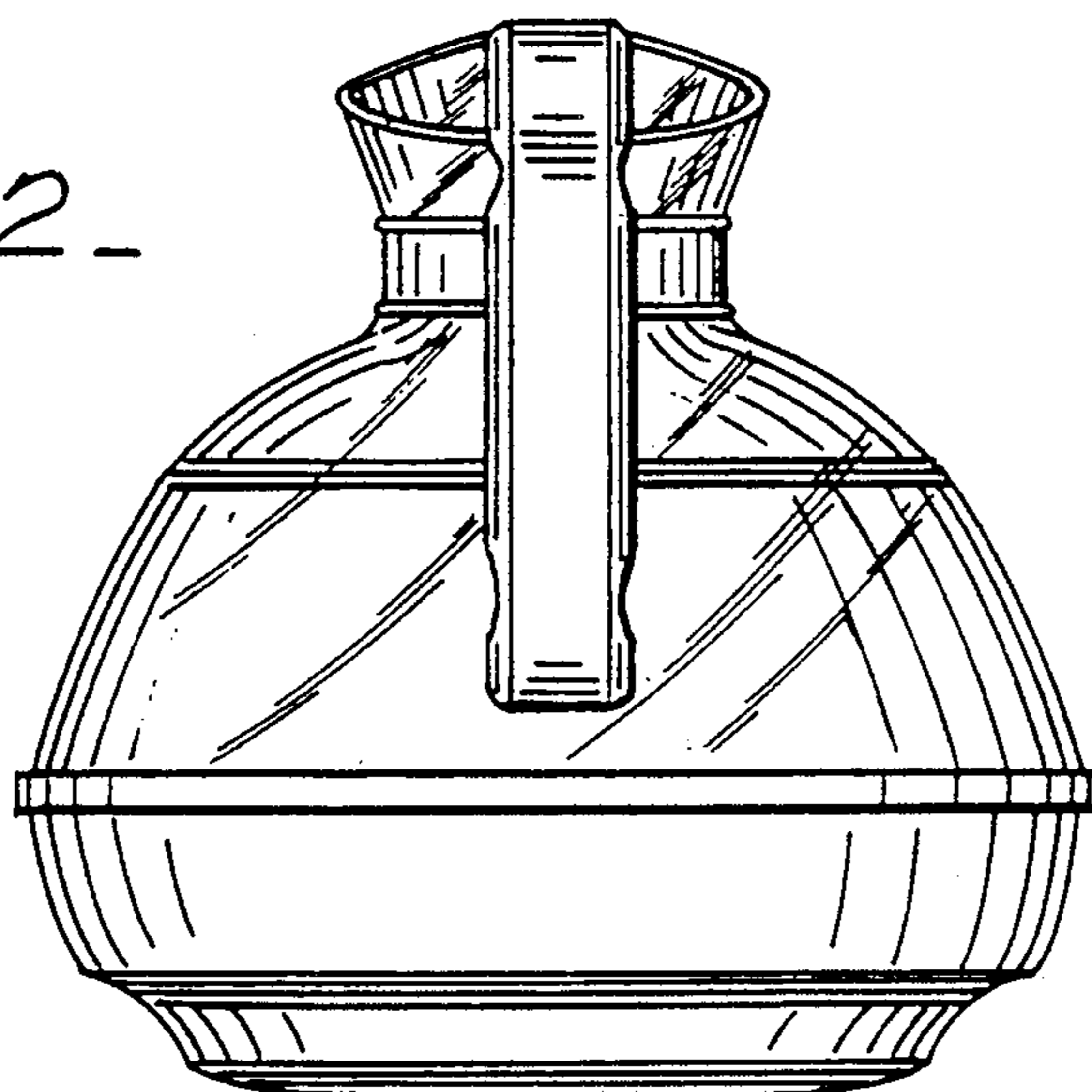


FIG. 3

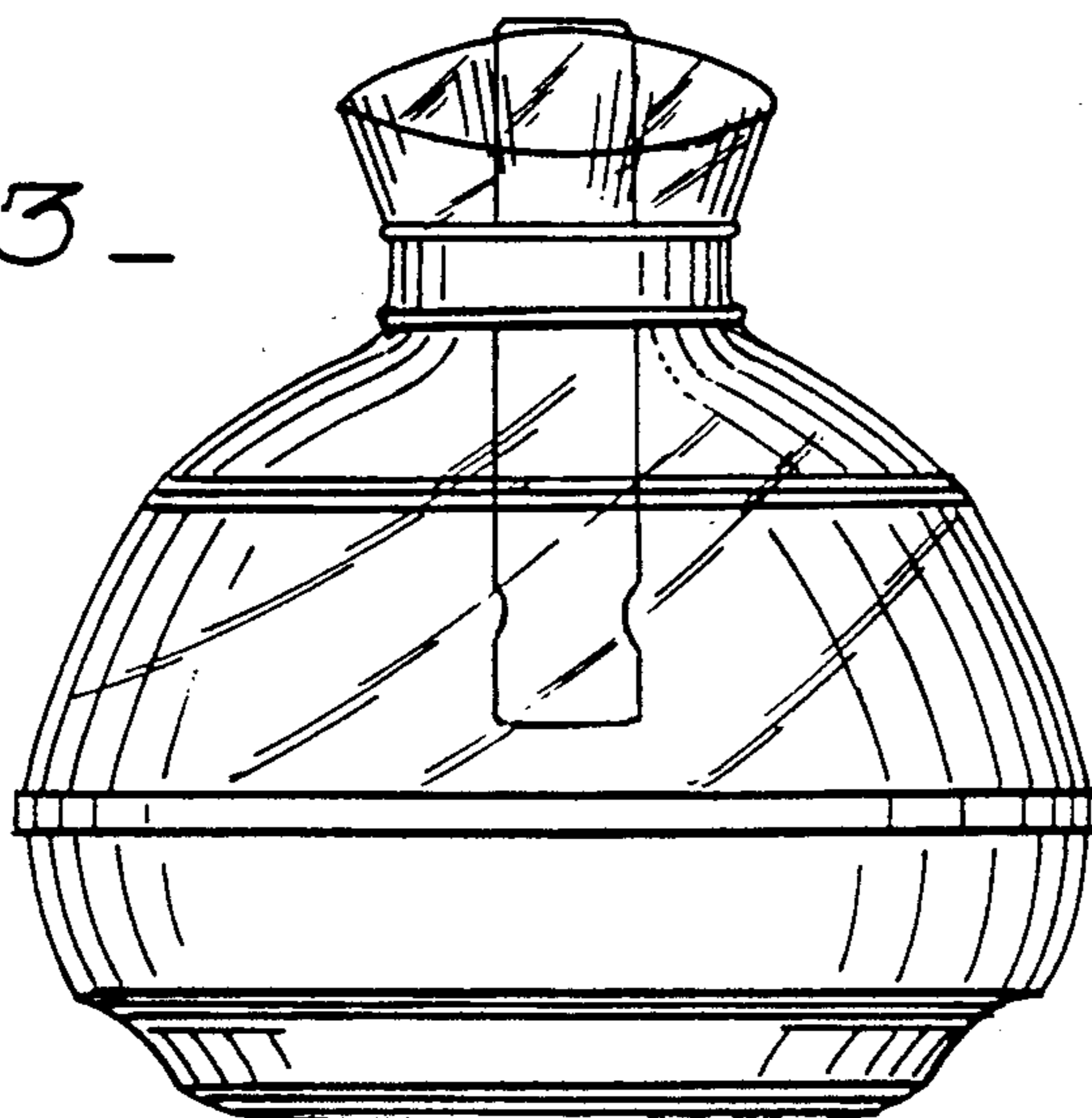


FIG. 4.

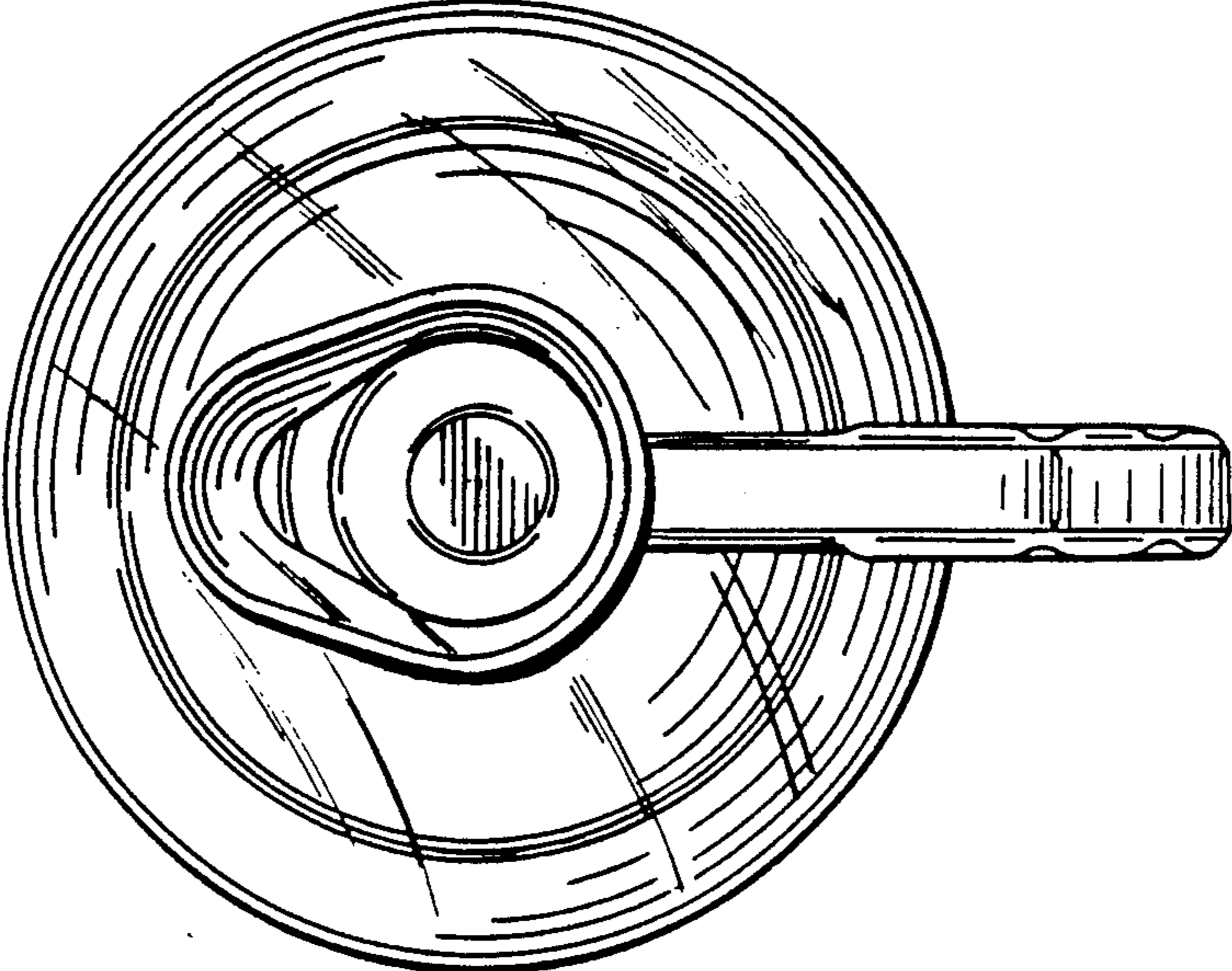


FIG. 5.

