

[54] ANGLE BROOM SHROUD

[75] Inventor: Joseph Lapin, Montreal, Canada

[73] Assignee: Rubbermaid Incorporated, Wooster, Ohio

[\*\*] Term: 14 Years

[21] Appl. No.: 271,482

[22] Filed: Nov. 14, 1988

[52] U.S. Cl. .... D4/199; D32/50

[58] Field of Search ..... D4/132, 135, 199; D32/50-52; 15/146, 159 R, 168, 171, 173-175, DIG. 5

Montreal, Canada, H2T 2H5, publication date unknown.

Sell Sheet, Rubbermaid Canada Inc., 2562 Stanfield Road, Mississauga, Ontario L4Y 1S5, publication date unknown.

Primary Examiner—Wallace R. Burke

Assistant Examiner—Lavone D. Tabor

Attorney, Agent, or Firm—Richard B. O'Planick

[57] CLAIM

The ornamental design for an angle broom shroud, as shown and described.

DESCRIPTION

FIG. 1 is a front perspective view of an angle broom shroud showing my new design, the broken lines showing of a handle and broom bristles being for illustrative purposes only and forming no part of the claimed design;

FIG. 2 is a top plan view thereof;

FIG. 3 is a front elevational view thereof, the rear elevational view being a mirror image;

FIG. 4 is a bottom plan view thereof;

FIG. 5 is a side elevational view as seen from the right of FIG. 3;

FIG. 6 is a left side elevational view thereof.

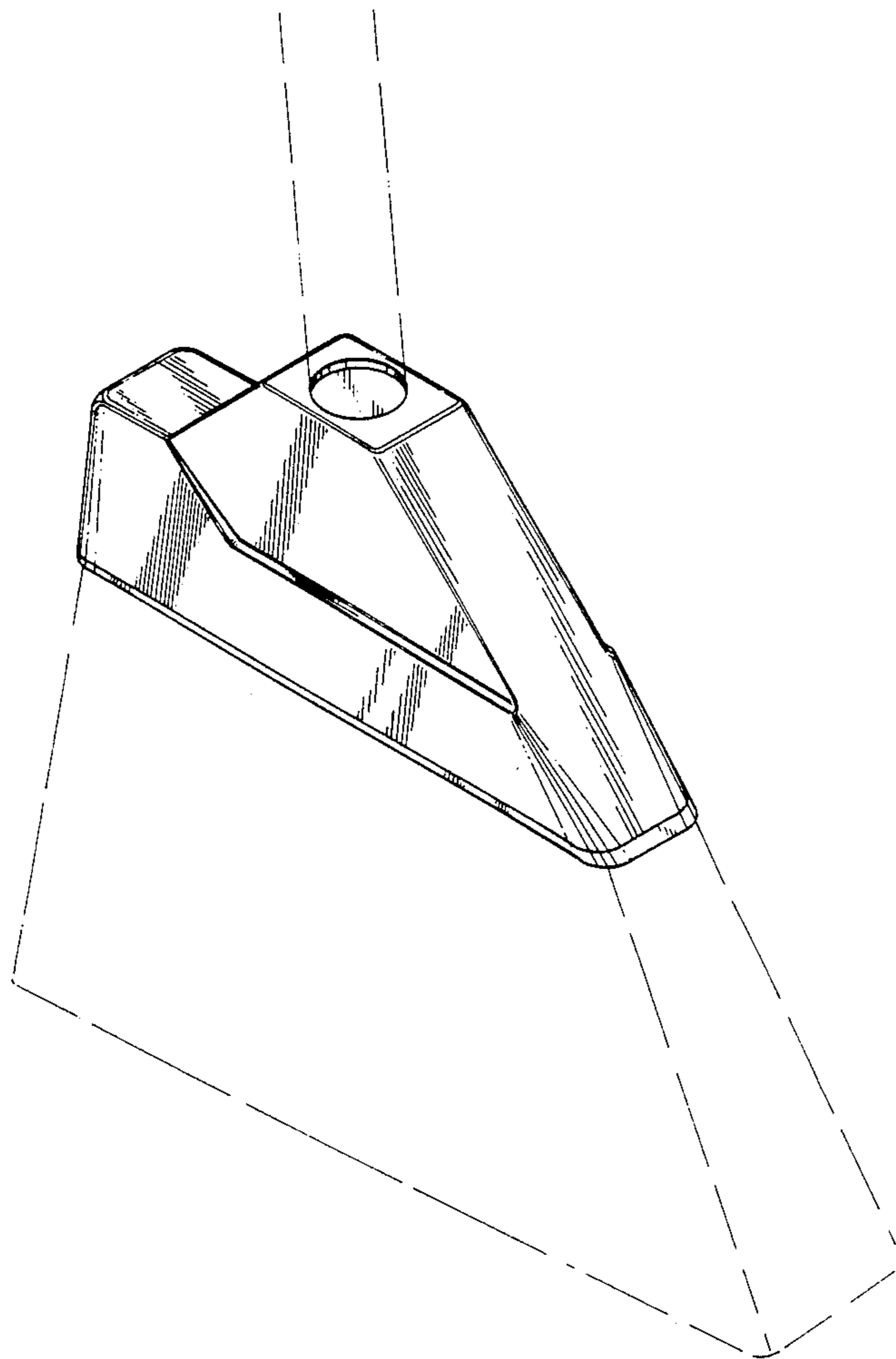
[56] References Cited

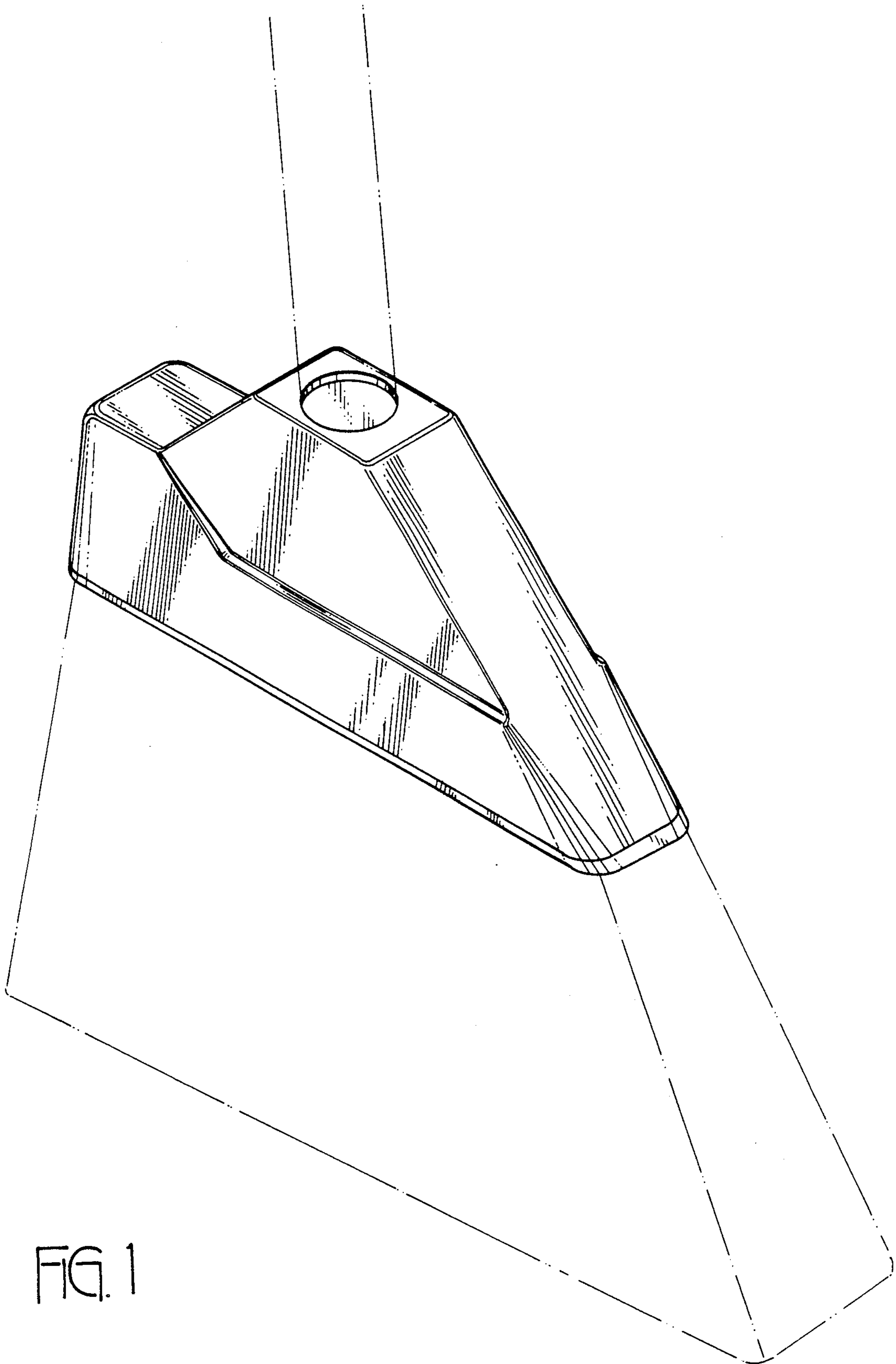
U.S. PATENT DOCUMENTS

D. 210,997	5/1968	Maloney	.....	D4/199
D. 269,827	7/1983	Clark	.....	D4/135
D. 289,338	4/1987	Sartori	.....	D32/50
4,215,448	8/1980	Burns et al.	.....	15/210 R
4,384,383	5/1983	Bryant	.....	15/159 R
4,541,139	9/1985	Jones et al.	.....	15/171
4,756,039	7/1988	Pardo	.....	15/DIG. 5 X

OTHER PUBLICATIONS

Sell Sheet, Viking Brush Limited, 5317 Rue Drolet St.,





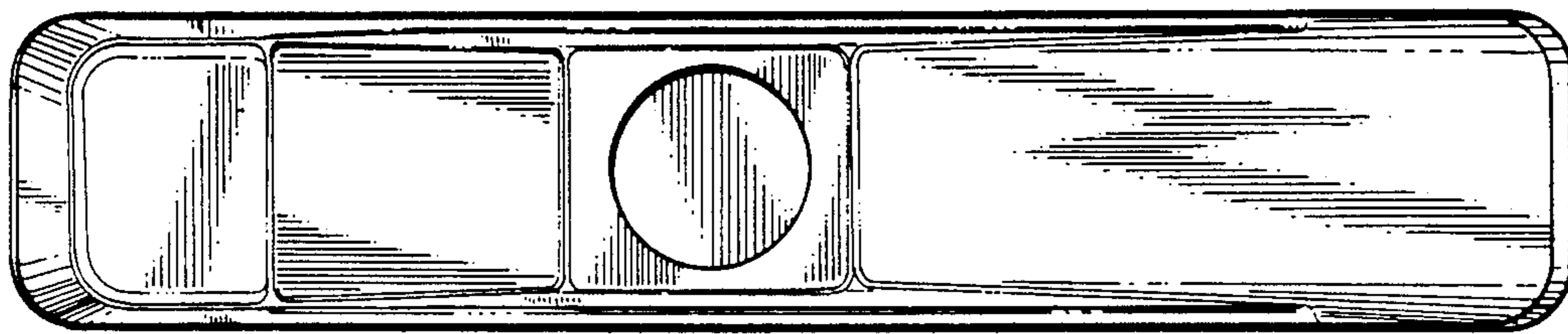


FIG. 2

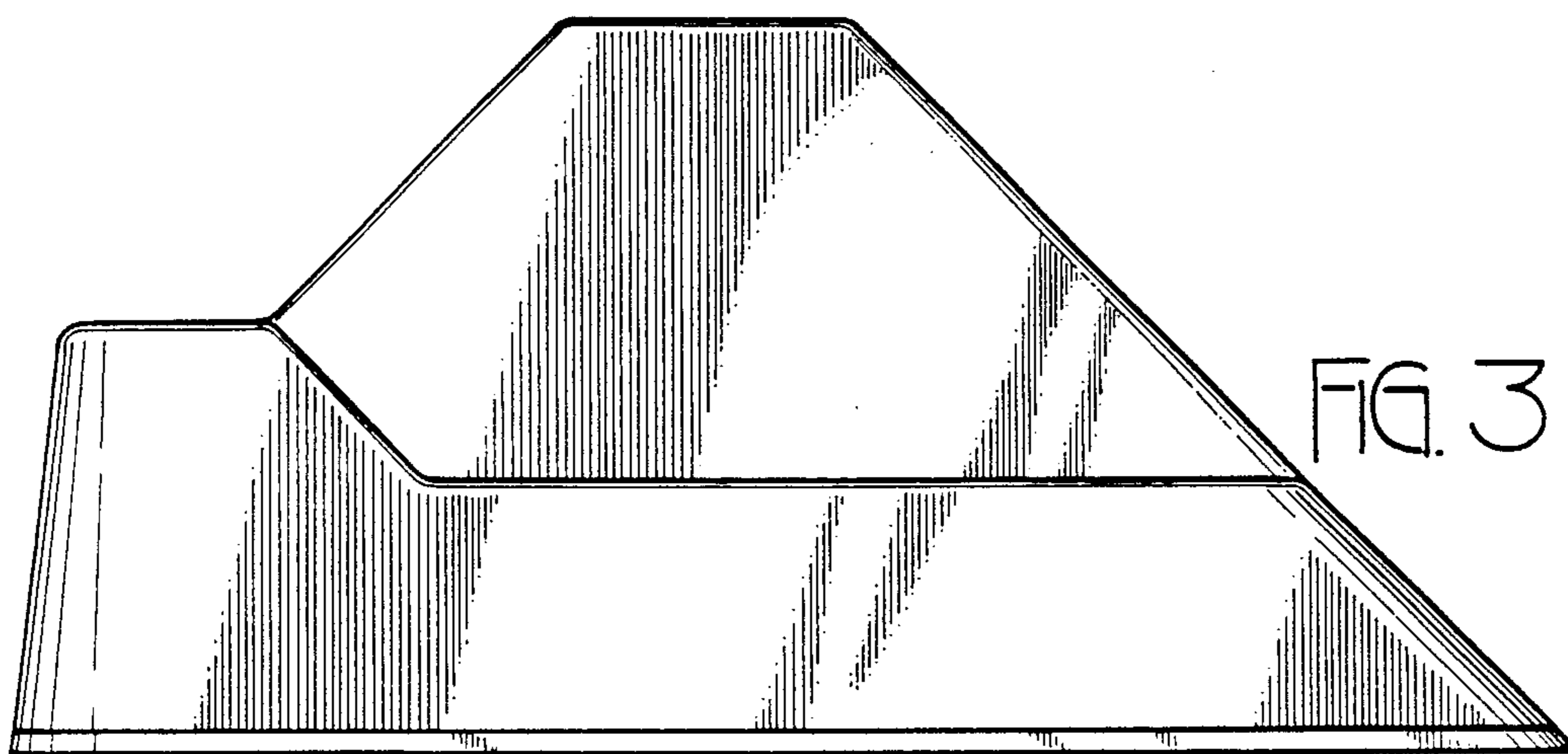


FIG. 3

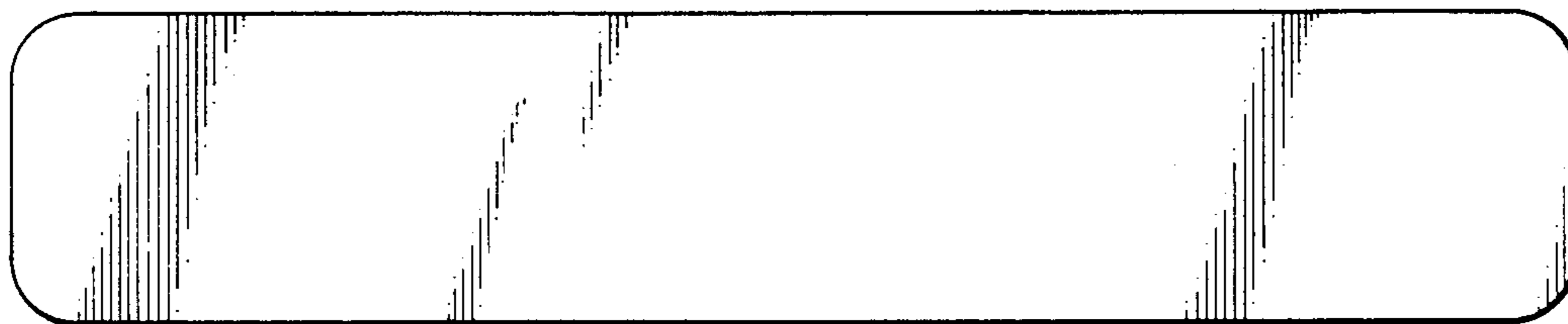


FIG. 4

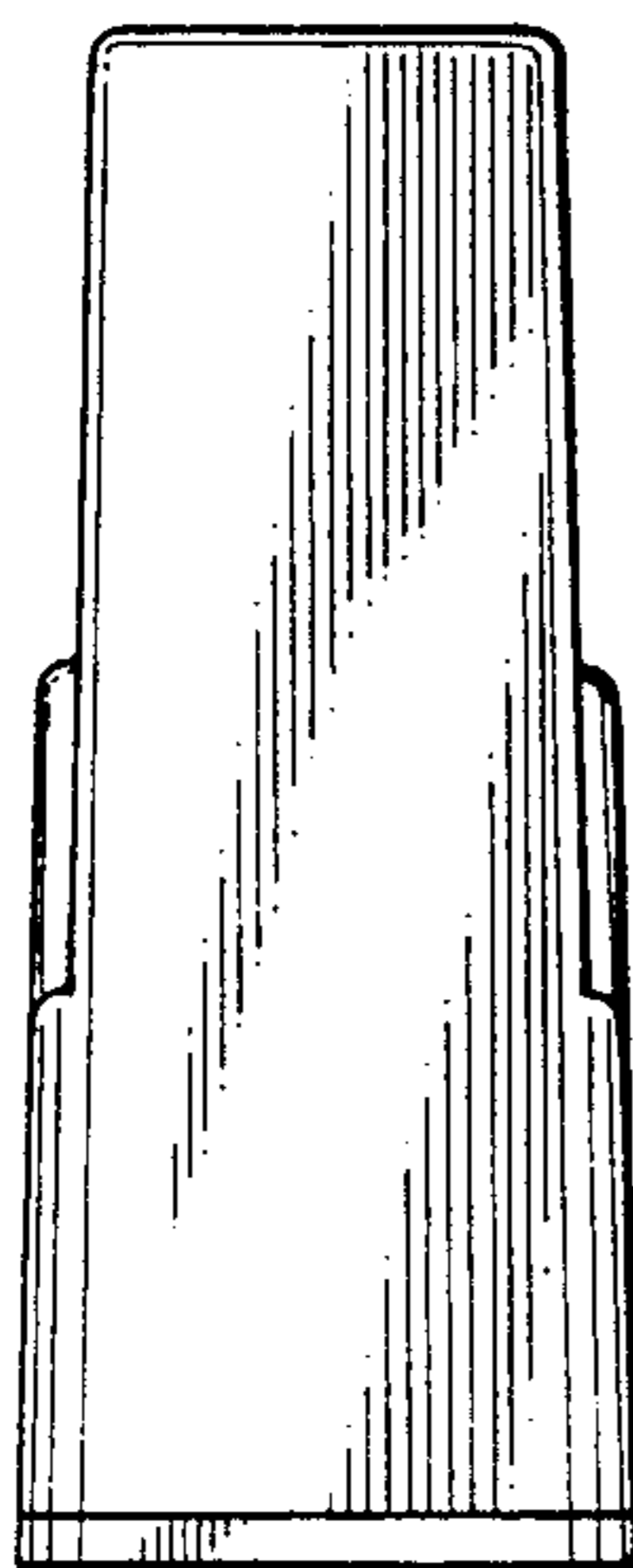


FIG. 5

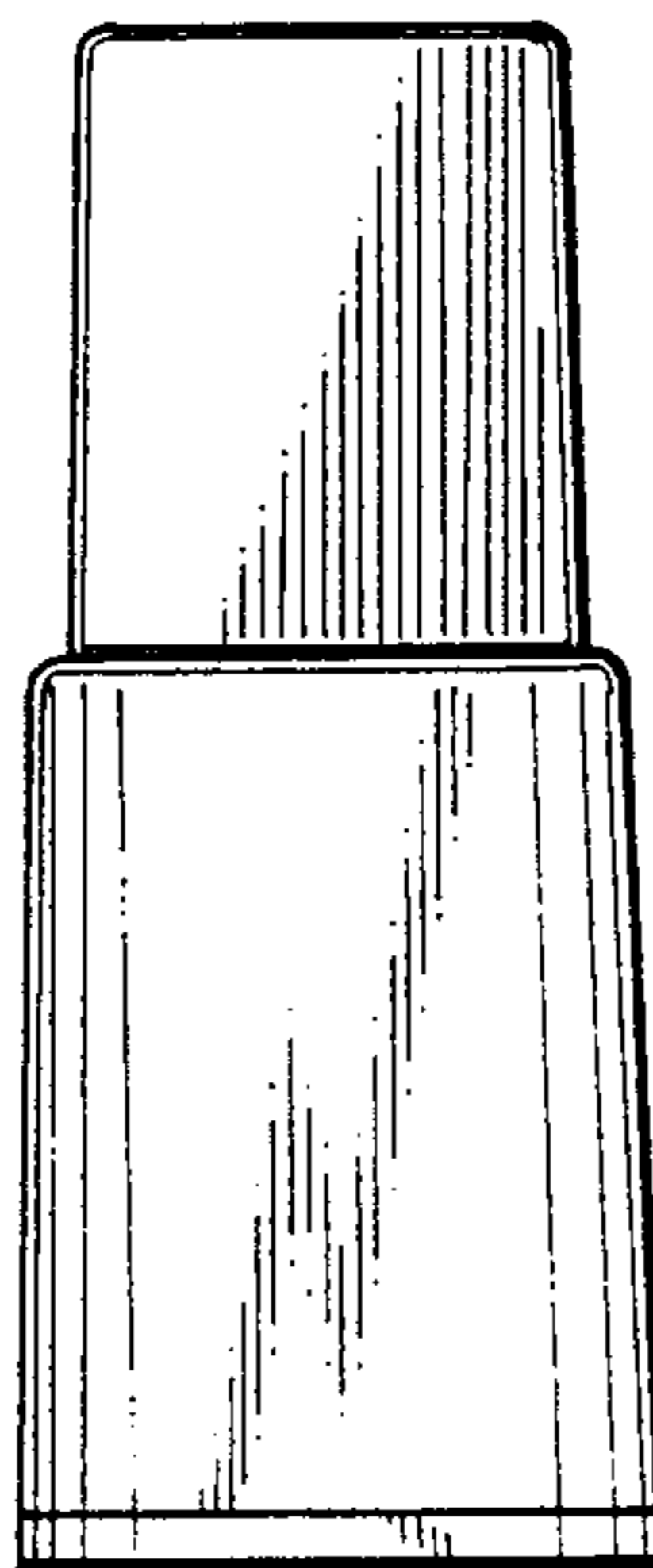


FIG. 6